



US00D542814S

(12) **United States Design Patent** (10) **Patent No.:** **US D542,814 S**  
**Concari** (45) **Date of Patent:** **\*\* May 15, 2007**

(54) **DRILL CHUCK** D413,340 S 8/1999 Gaddis  
D416,641 S 11/1999 Long  
(75) Inventor: **Gabriel E. Concari**, Eldersburg, MD D417,228 S 11/1999 Miles  
(US) D421,615 S 3/2000 Argo et al.  
D423,527 S 4/2000 Sakamaki  
(73) Assignee: **Black & Decker, Inc.**, Newark, DE D426,442 S 6/2000 Long  
(US) D427,216 S 6/2000 Miles et al.  
D433,909 S 11/2000 Long  
(\*\*) Term: **14 Years** D434,629 S 12/2000 Long  
D436,511 S 1/2001 Hayakawa et al.  
(21) Appl. No.: **29/254,473** D461,696 S 8/2002 Chunn et al.  
D461,697 S 8/2002 Chunn et al.  
(22) Filed: **Feb. 23, 2006** D462,249 S 9/2002 Chunn et al.  
D469,325 S 1/2003 Carroll  
(51) **LOC (8) Cl.** ..... **15-09** D471,571 S \* 3/2003 Concari ..... D15/140  
(52) **U.S. Cl.** ..... **D15/140; D8/70** D472,443 S 4/2003 Chunn et al.  
(58) **Field of Classification Search** ..... D8/61-70; D473,120 S 4/2003 Lind et al.  
D15/138-140; 279/61-66, 157, 901, 902; D475,596 S 6/2003 Ozawa et al.  
408/56, 240 D485,738 S 1/2004 Pretzell  
D501,384 S 2/2005 Wright et al.  
D514,417 S 2/2006 Watson et al.

See application file for complete search history.

(56) **References Cited**

U.S. PATENT DOCUMENTS

1,979,652 A 11/1934 Taylor  
5,145,193 A 9/1992 Rohm  
D347,372 S 5/1994 Ghode  
D356,932 S 4/1995 Owens et al.  
D359,217 S 6/1995 Owens et al.  
D359,432 S 6/1995 Owens  
5,478,273 A 12/1995 Shadeck et al.  
D366,052 S 1/1996 Barton et al.  
5,531,461 A 7/1996 Huff et al.  
5,553,873 A 9/1996 Salpaka et al.  
D386,193 S 11/1997 Steadings  
D386,662 S 11/1997 Tozawa et al.  
5,709,392 A 1/1998 Barton et al.  
D392,654 S 3/1998 Stratford  
D396,177 S 7/1998 Schultz  
D400,418 S 11/1998 Lui  
D402,675 S 12/1998 Long  
D402,871 S 12/1998 Clowers et al.

\* cited by examiner

*Primary Examiner*—Antoine D. Davis  
*Assistant Examiner*—Patricia Palasik  
(74) *Attorney, Agent, or Firm*—Michael P. Leary; Charles E. Yocum; Adan Ayala

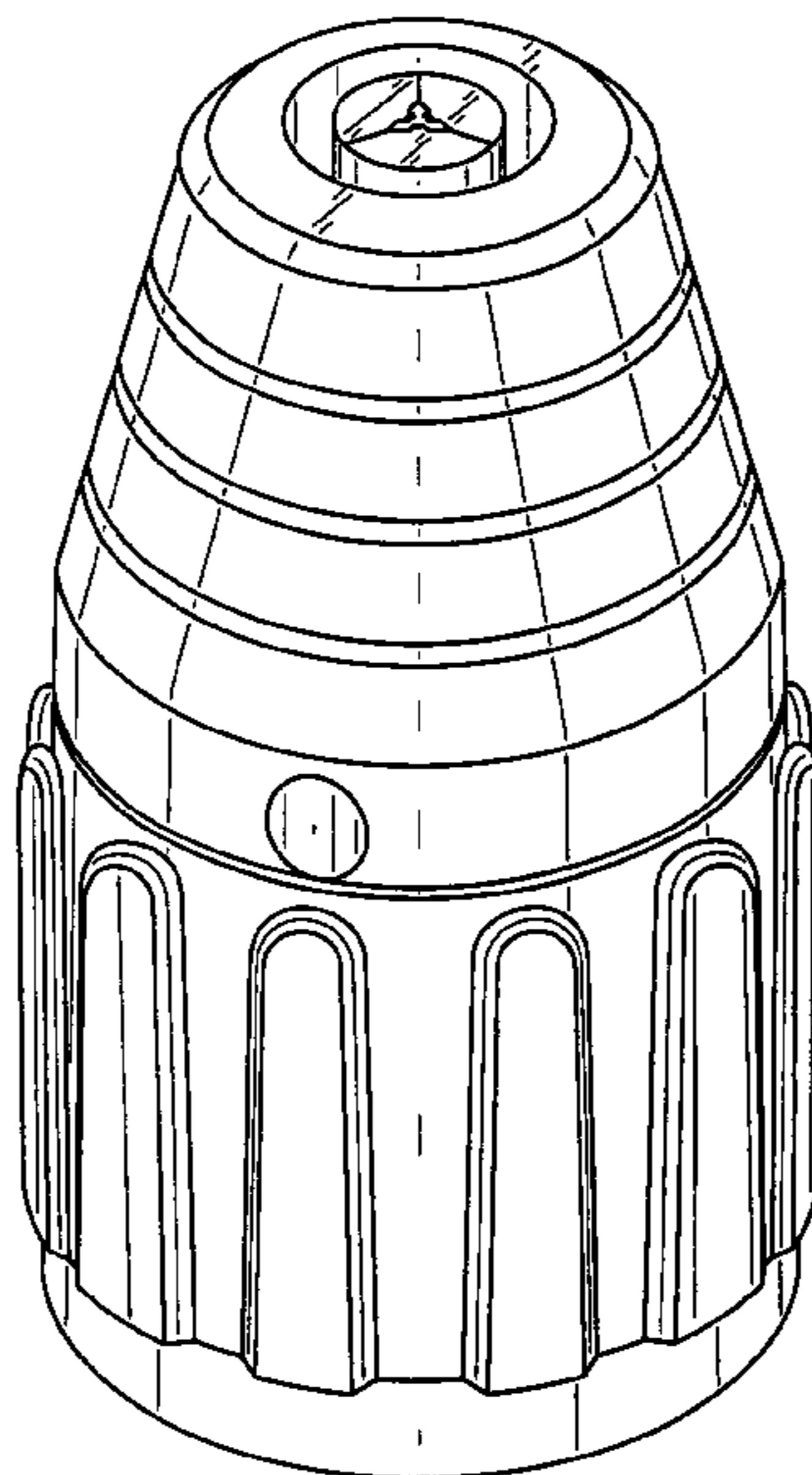
(57) **CLAIM**

The ornamental design for a drill chuck, as shown and described.

**DESCRIPTION**

FIG. 1 is a top perspective view of a drill chuck.  
FIG. 2 is a side elevational view thereof.  
FIG. 3 is a top elevational view thereof.  
FIG. 4 is a bottom elevational view thereof; and,  
FIG. 5 is a bottom perspective view thereof.

**1 Claim, 4 Drawing Sheets**



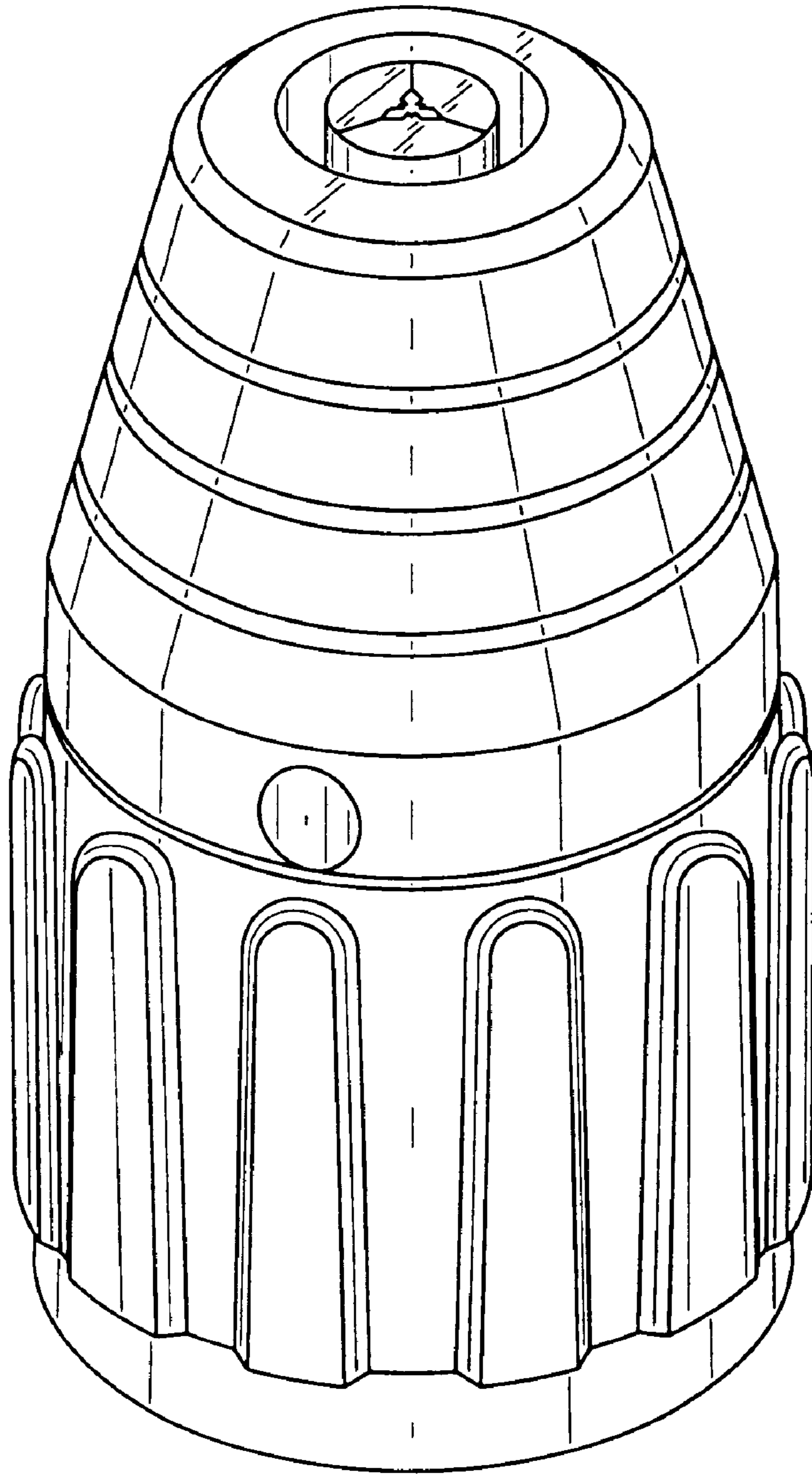


FIG. 1

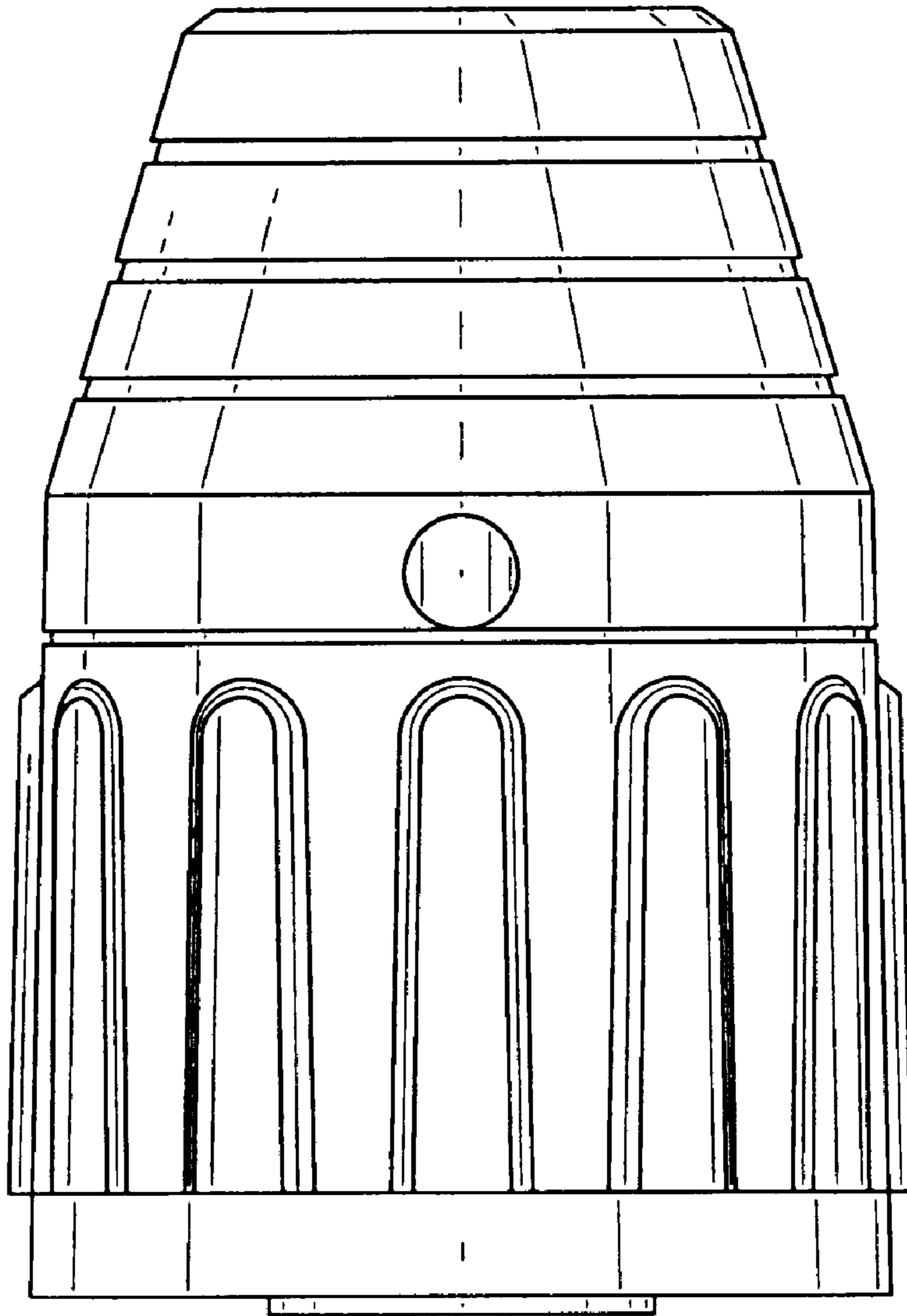


FIG. 2

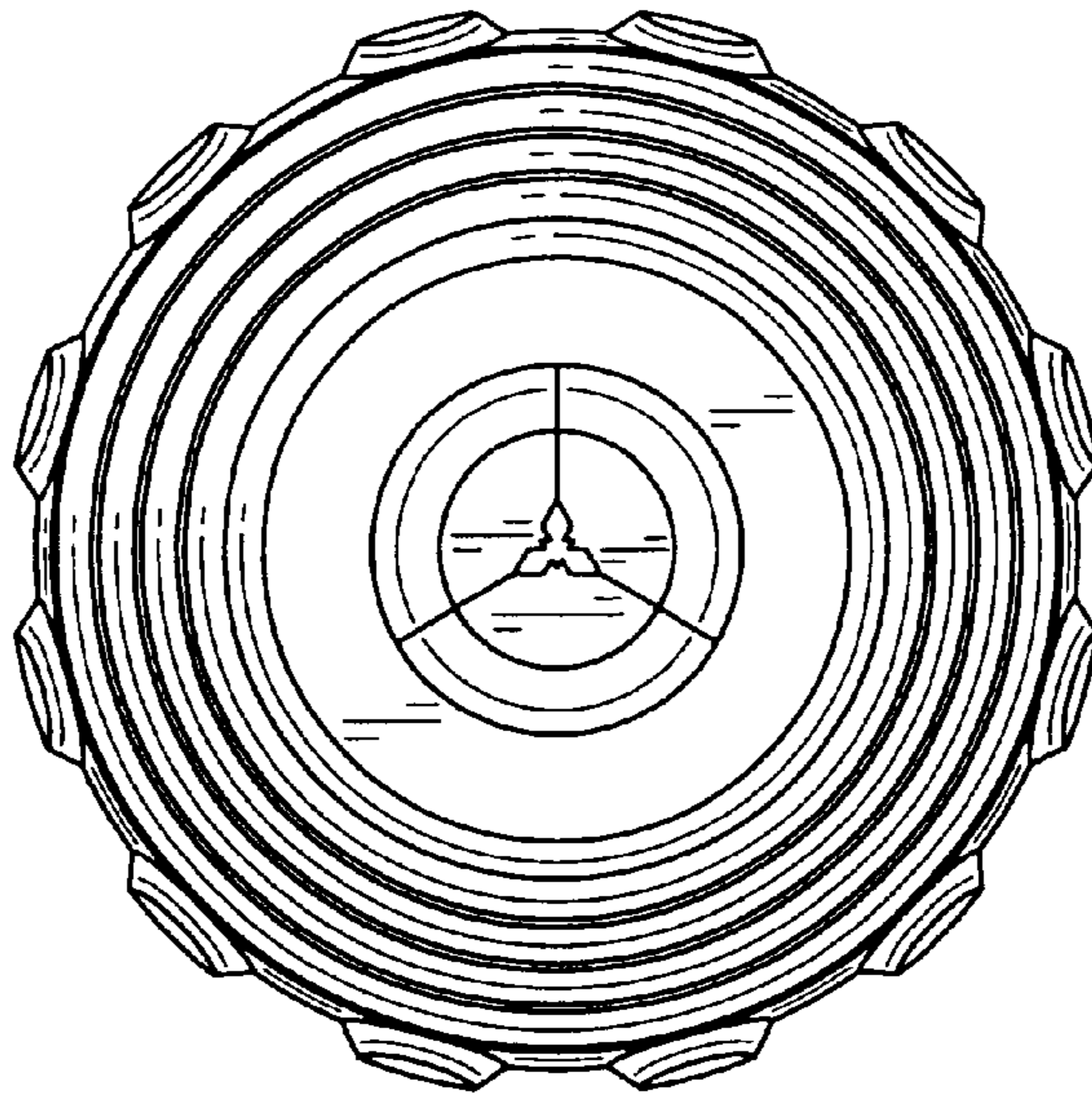


FIG. 3

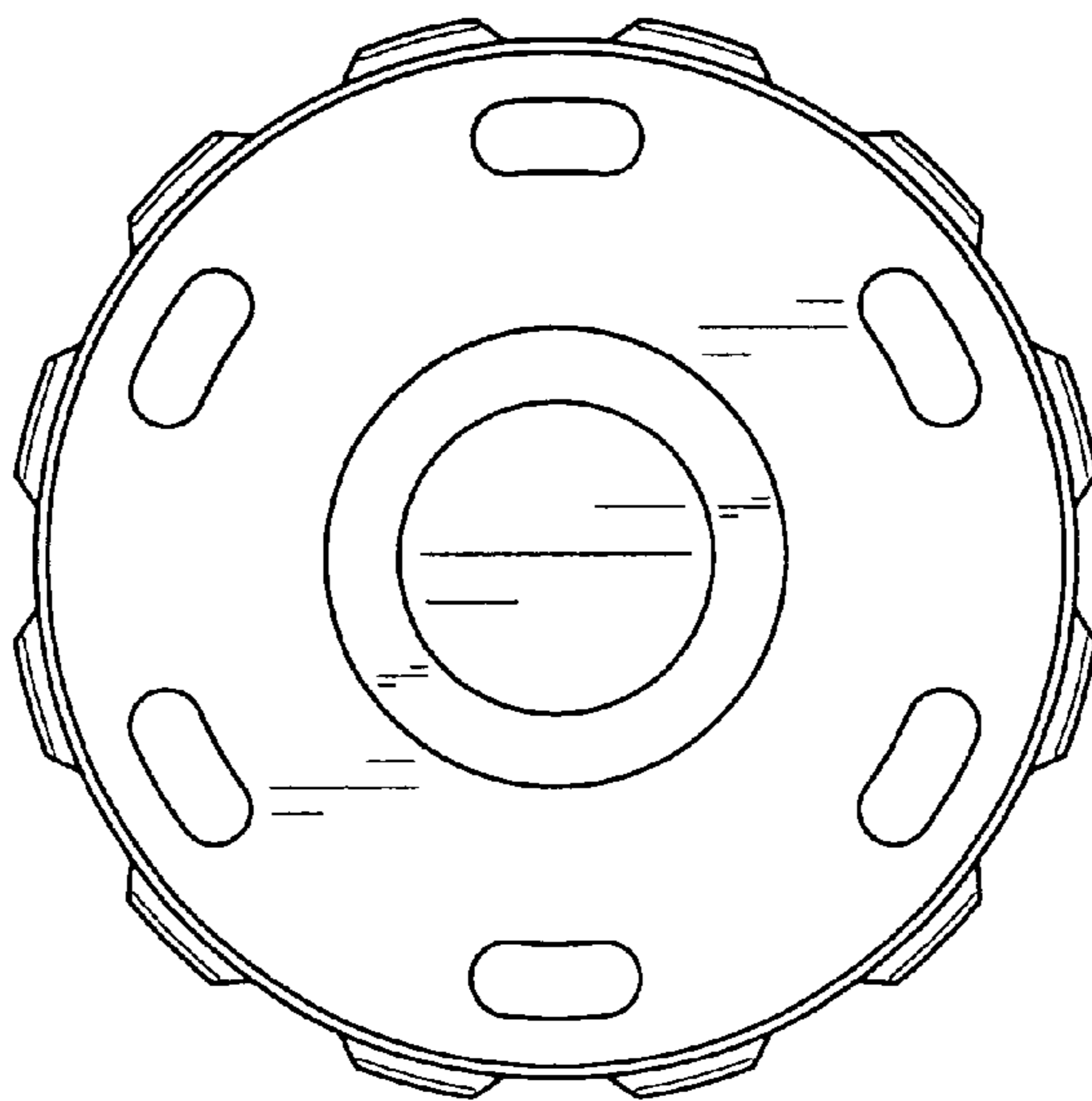


FIG. 4

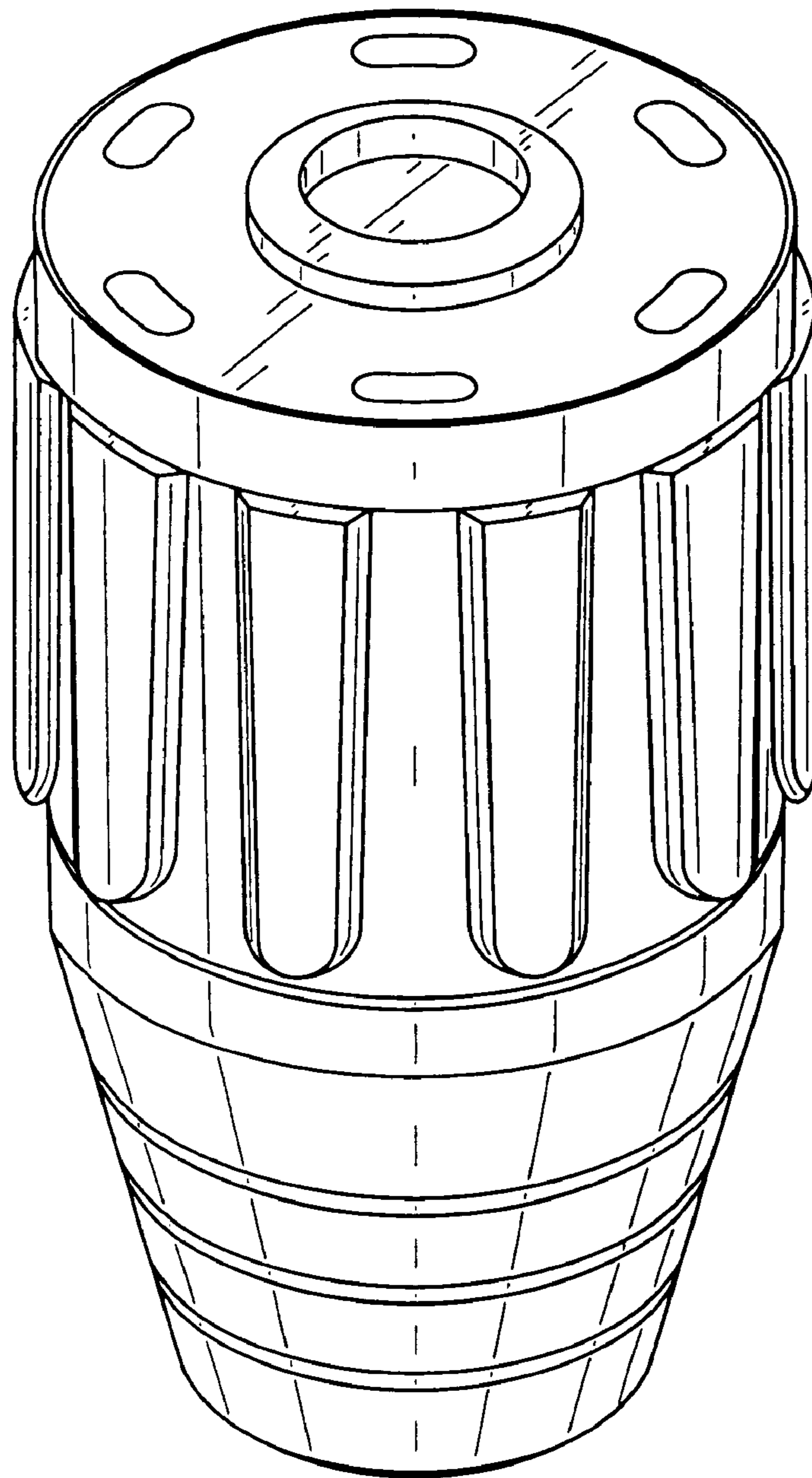


FIG. 5