



US00D542811S

(12) **United States Design Patent**
Launder et al.

(10) **Patent No.:** **US D542,811 S**
(45) **Date of Patent:** **** May 15, 2007**

- (54) **COMPACTOR FOOT PAD CAP**
- (75) Inventors: **Brian L. Launder**, Tulsa, OK (US);
Charles Clendenning, Broken Arrow,
OK (US)
- (73) Assignee: **H&L Tooth Company**, Tulsa, OK (US)
- (**) Term: **14 Years**
- (21) Appl. No.: **29/226,878**
- (22) Filed: **Apr. 1, 2005**
- (51) **LOC (8) Cl.** **15-03**
- (52) **U.S. Cl.** **D15/29; D12/604**
- (58) **Field of Classification Search** D12/604;
D15/20, 21, 28, 29; 172/177, 554, 744, 785;
301/43, 44 B, 44 R, 44 T, 45, 46, 50; 305/39,
305/53, 54; 404/121, 124, 125, 126
See application file for complete search history.

- D476,018 S * 6/2003 Hayashi et al. D15/28
- 6,991,401 B1 * 1/2006 Caron 404/124
- 7,108,452 B2 9/2006 Caron et al.
- 2005/0225162 A1 * 10/2005 Gibbins 301/43
- 2005/0229442 A1 * 10/2005 Jones et al. 37/452

OTHER PUBLICATIONS

Caterpillar, Ground Engaging Tools Parts Sales Kit 7th Edition, Bulldozers/Compactors, 2002, p. 48, Peoria, Illinois, USA.

* cited by examiner

Primary Examiner—Antoine D. Davis

Assistant Examiner—Patricia Palasik

(74) *Attorney, Agent, or Firm*—John W. Harbst

(57) **CLAIM**

The ornamental design for a compactor foot pad cap, as shown and described.

DESCRIPTION

FIG. 1 is a top plan view of a compactor foot pad cap showing our new design;

FIG. 2 is a left side elevational view thereof, with the right side elevational view being a mirror image thereof;

FIG. 3 is a front elevational view thereof, with the rear elevational view being a mirror image thereof; and,

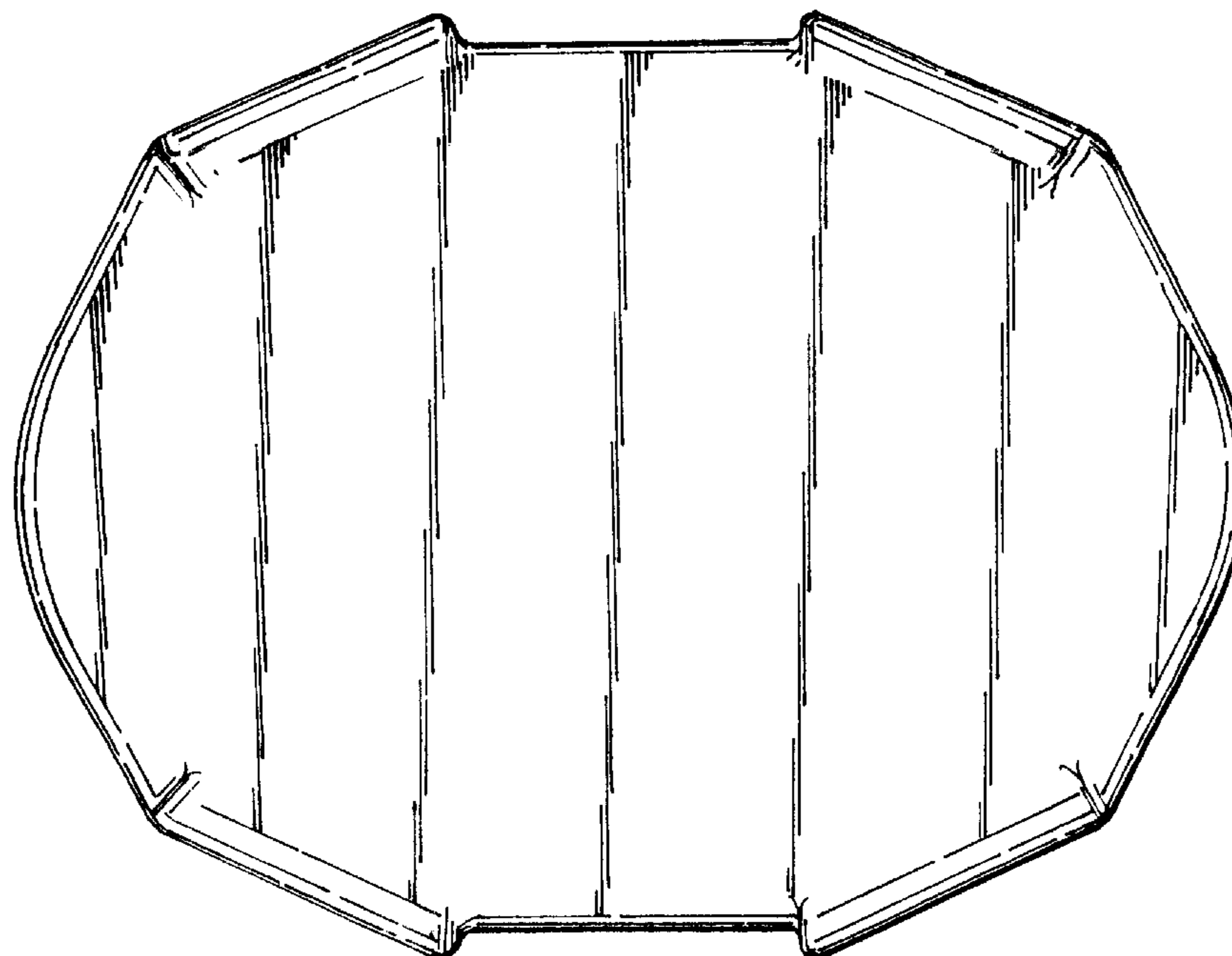
FIG. 4 is a bottom plan view thereof.

The phantom lines shown in various drawing FIGURES form no part of the present invention.

(56) **References Cited**
U.S. PATENT DOCUMENTS

- 2,772,125 A * 11/1956 Faure et al. 305/53
- 3,274,908 A * 9/1966 Grant et al. 404/121
- 3,650,185 A * 3/1972 Takata 404/121
- 4,317,300 A * 3/1982 Emrich et al. 37/453
- 4,530,620 A 7/1985 McCartney
- 4,919,566 A * 4/1990 Caron et al. 404/121
- D359,054 S * 6/1995 Gale et al. D15/20
- 5,769,507 A * 6/1998 Brockway 301/43
- 5,967,242 A * 10/1999 Caron et al. 404/121
- D463,460 S * 9/2002 Siebeck et al. D15/29

1 Claim, 2 Drawing Sheets



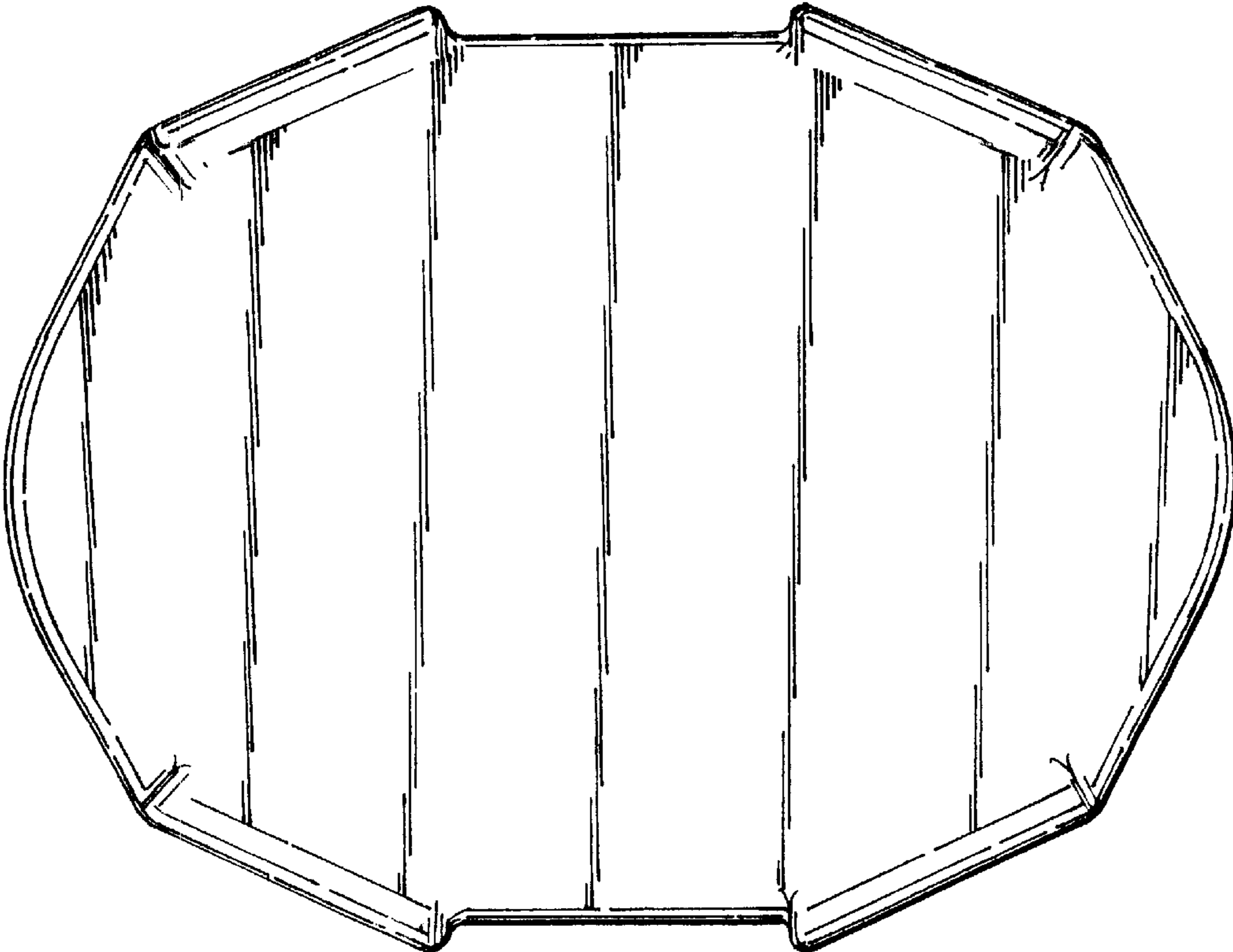


FIG. 1

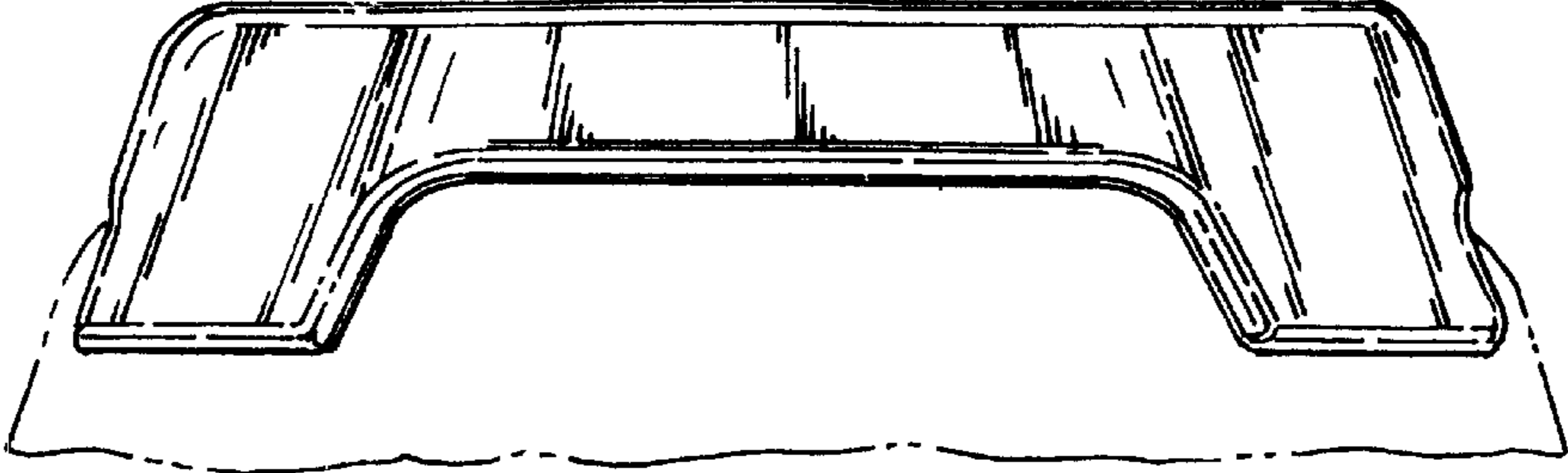


FIG. 2

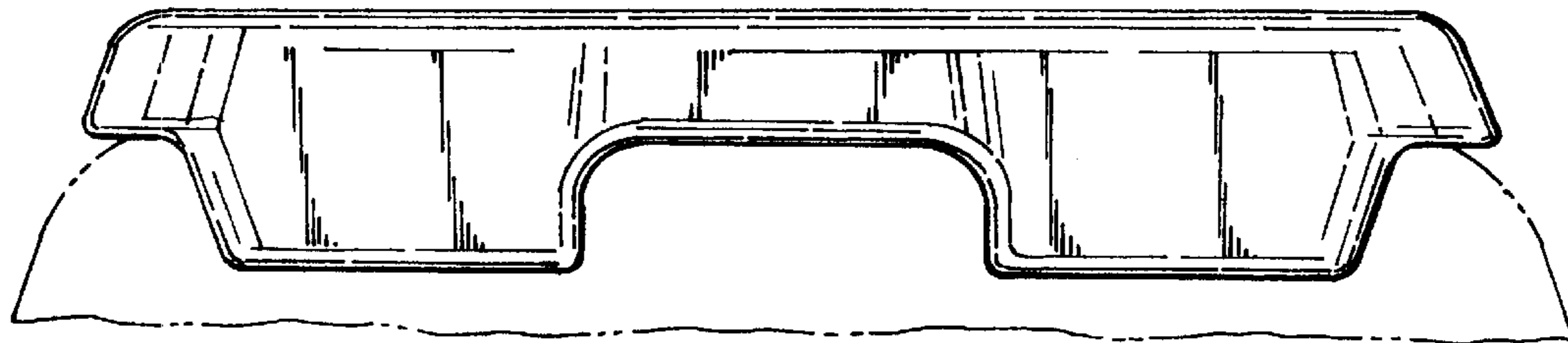


FIG. 3

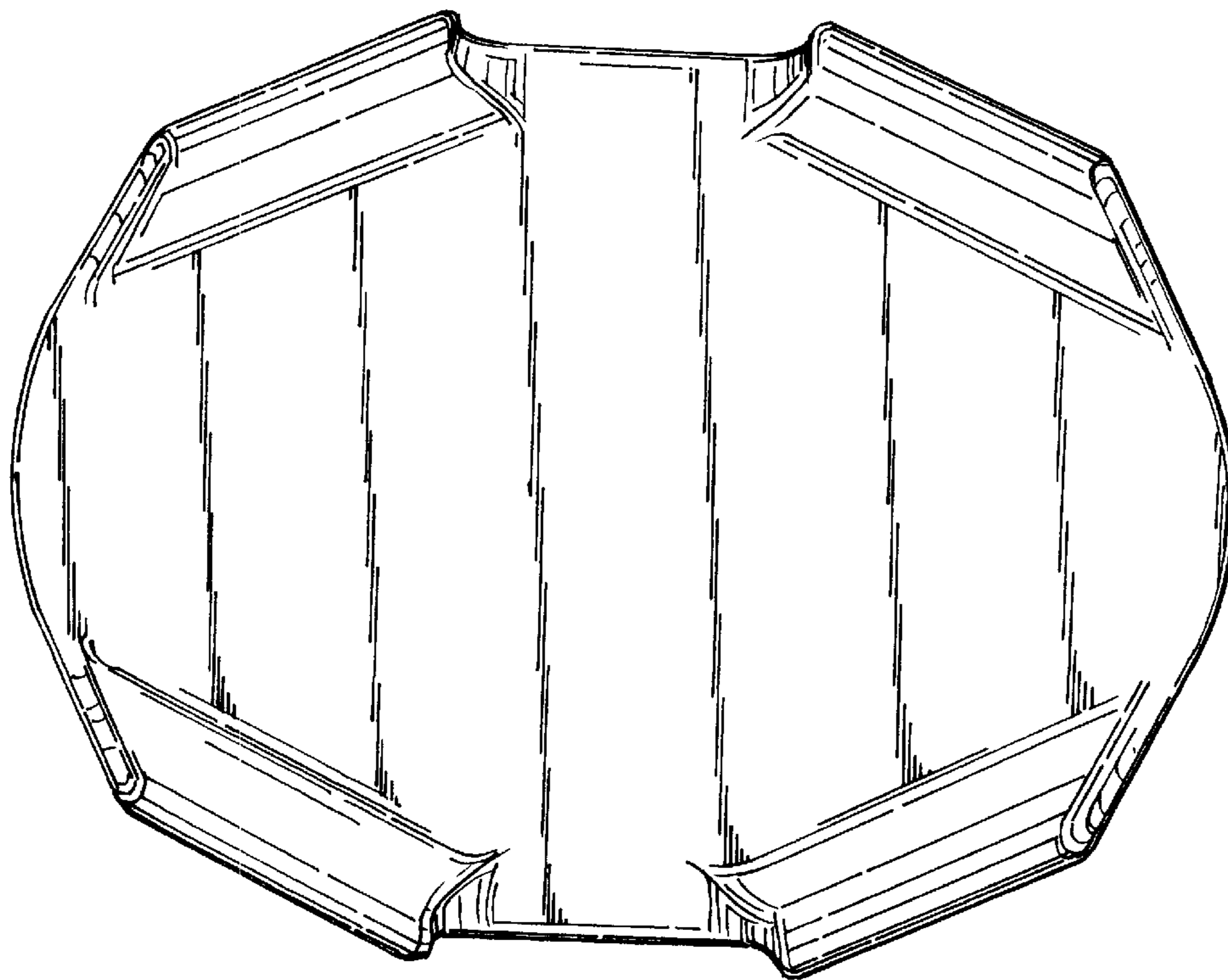


FIG. 4