

US00D542810S

(12) **United States Design Patent** (10) **Patent No.:** **US D542,810 S**  
**Tanaka et al.** (45) **Date of Patent:** **\*\* May 15, 2007**

(54) **RAMMER**

(75) Inventors: **Giichi Tanaka**, Shiraoka-machi (JP);  
**Yoshinori Harashima**, Satte (JP);  
**Kenichi Nagasawa**, Hasuda (JP);  
**Kenichi Muramoto**, Shiraoka-machi (JP)

(73) Assignee: **Mikasa Sangyo Co., Ltd.**, Tokyo (JP)

(\*\*) Term: **14 Years**

(21) Appl. No.: **29/264,368**

(22) Filed: **Aug. 8, 2006**

(30) **Foreign Application Priority Data**

May 11, 2006 (JP) ..... 2006-011939

(51) **LOC (8) Cl.** ..... **15-03**

(52) **U.S. Cl.** ..... **D15/20; D51/147**

(58) **Field of Classification Search** ..... D15/20,  
D15/147; 74/61; 173/113, 118; 404/113,  
404/114, 117, 133.05, 133.1

See application file for complete search history.

(56) **References Cited**

**U.S. PATENT DOCUMENTS**

D215,497 S \* 10/1969 Frohnauer, Jr. .... D15/20

5,645,370 A \* 7/1997 Zurbes et al. .... 404/133.1  
5,733,071 A \* 3/1998 Shudo ..... 404/133.1  
6,000,879 A \* 12/1999 Greppmair ..... 404/133.1  
6,390,034 B1 \* 5/2002 Orzal et al. .... 123/73 AD  
2001/0002967 A1 \* 6/2001 Hedlund ..... 404/133.05  
2003/0175078 A1 \* 9/2003 Sina et al. .... 404/133.1  
2004/0234337 A1 \* 11/2004 Burkert et al. .... 404/133.1

\* cited by examiner

*Primary Examiner*—Antoine D. Davis

*Assistant Examiner*—Patricia Palasik

(74) *Attorney, Agent, or Firm*—Frishauf, Holtz, Goodman & Chick, P.C.

(57) **CLAIM**

The ornamental design for a rammer, as shown.

**DESCRIPTION**

FIG. 1 is a front, top, left side perspective view of a rammer showing our new design;

FIG. 2 is a rear, top, right side perspective view thereof;

FIG. 3 is a front elevational view thereof;

FIG. 4 is a rear elevational view thereof;

FIG. 5 is a top plan view thereof;

FIG. 6 is a bottom plan view thereof;

FIG. 7 is a right side view thereof; and,

FIG. 8 is a left side view thereof.

**1 Claim, 6 Drawing Sheets**

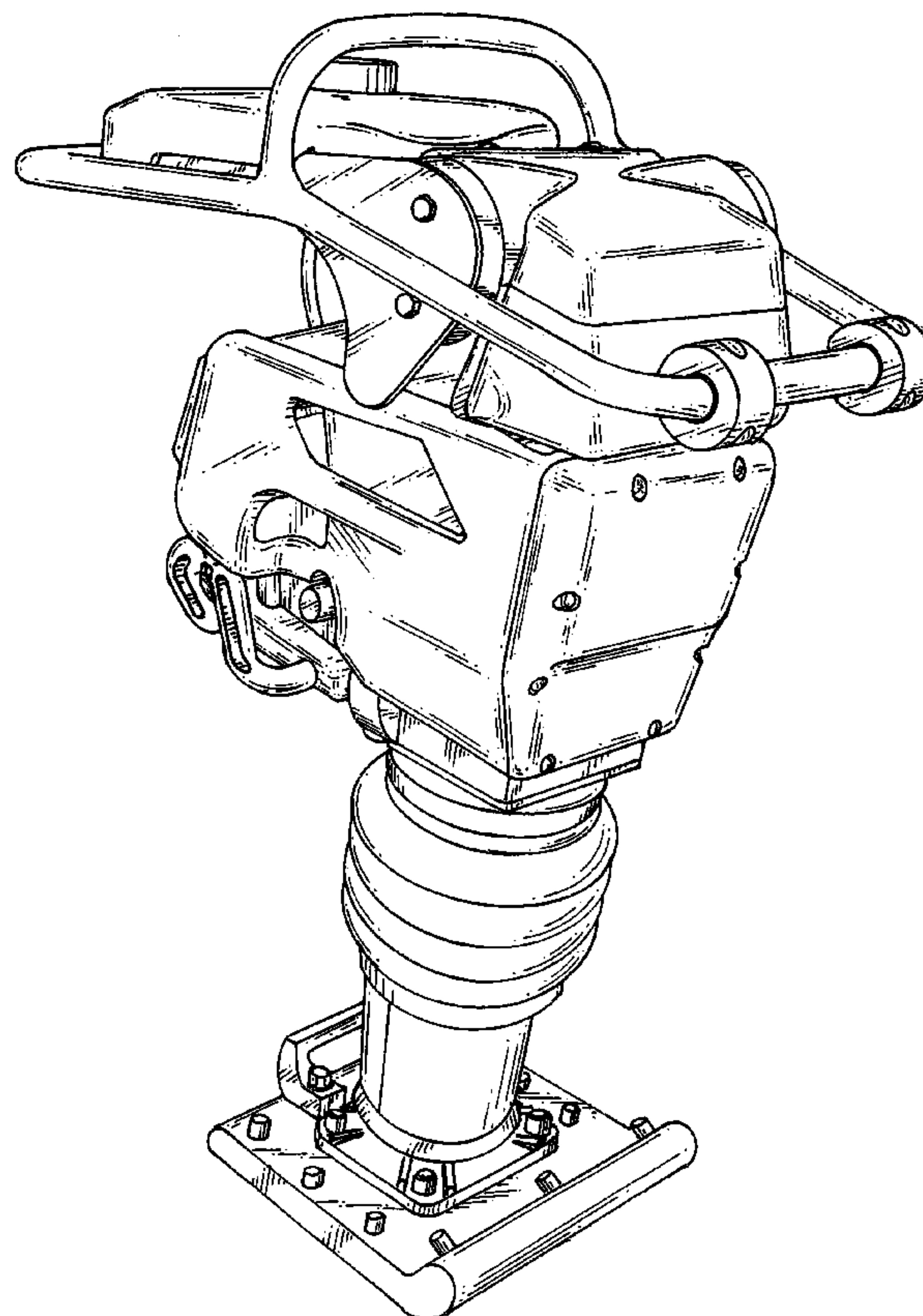


Fig. 1

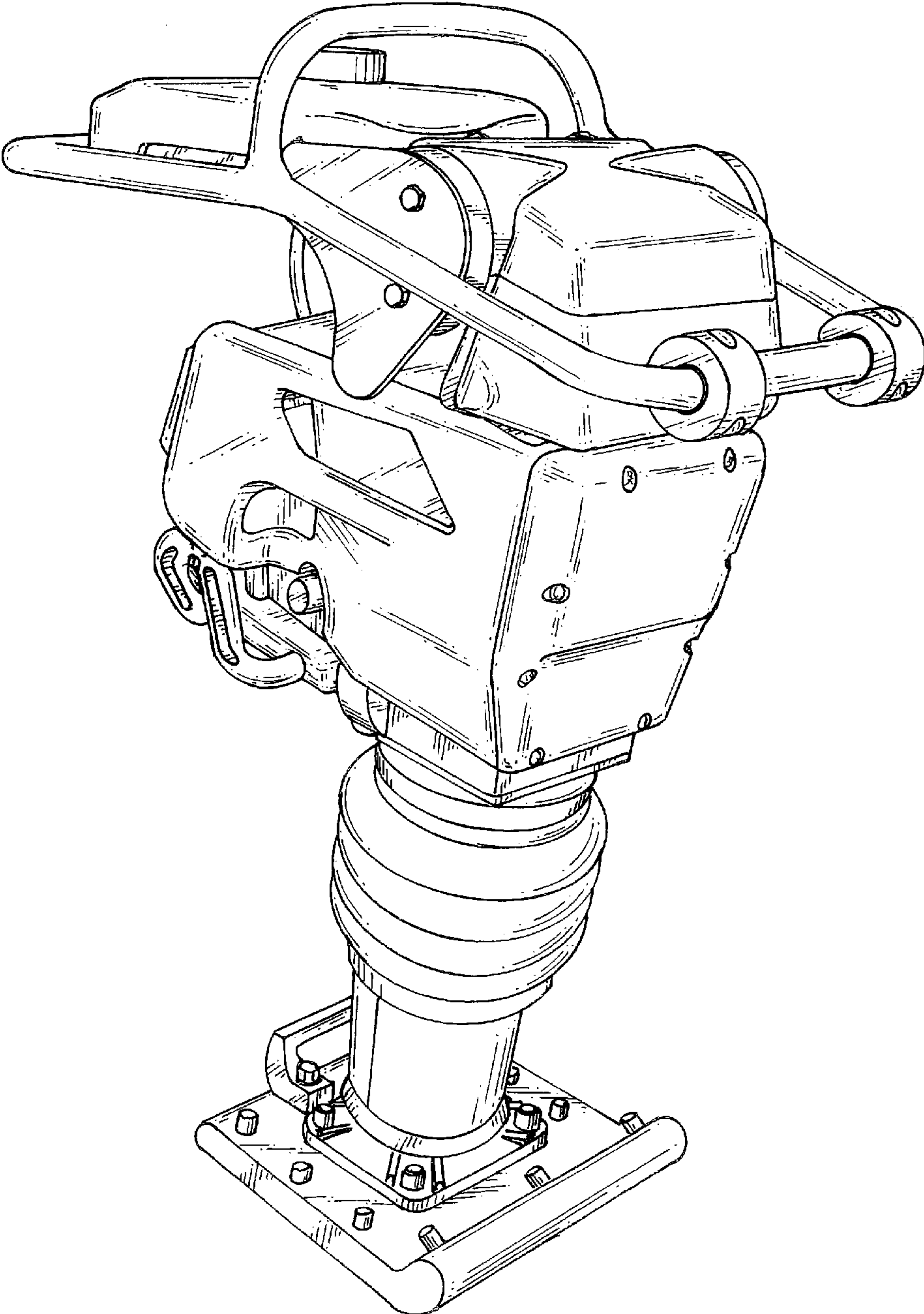


Fig. 2

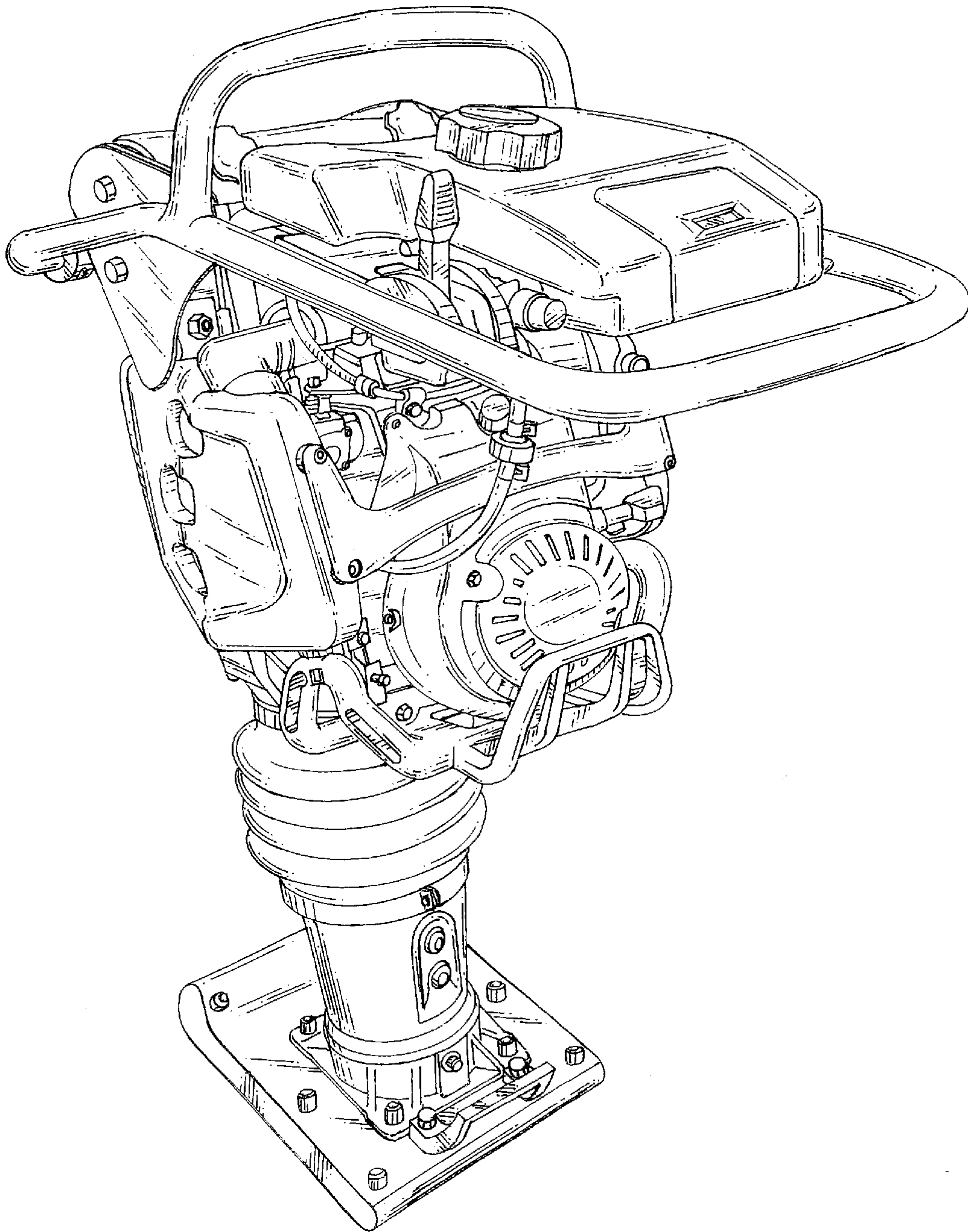




Fig. 3

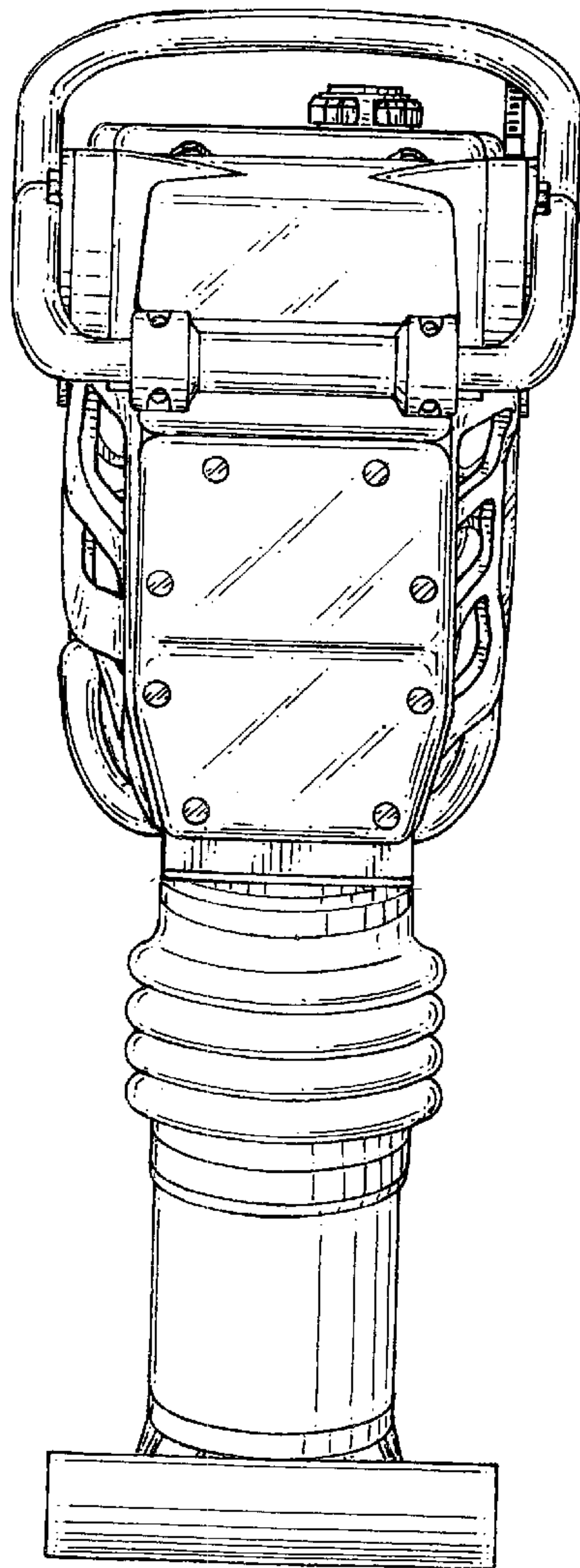


Fig. 4

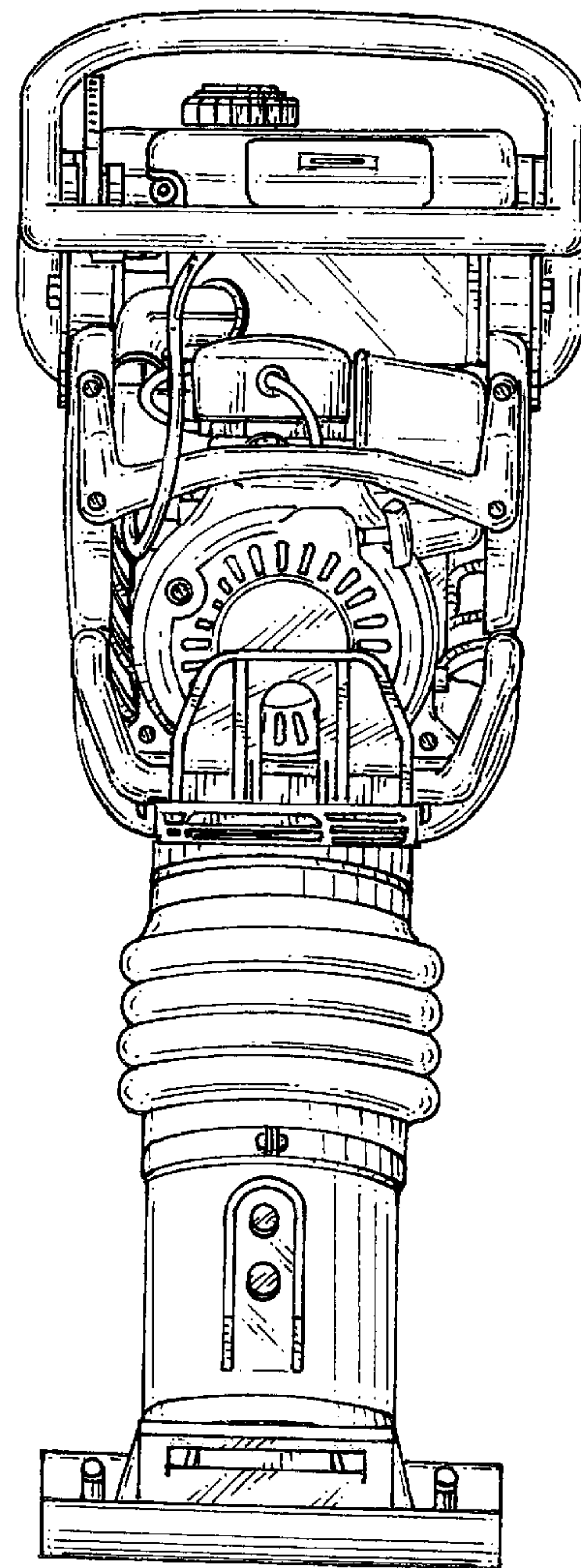


Fig. 5

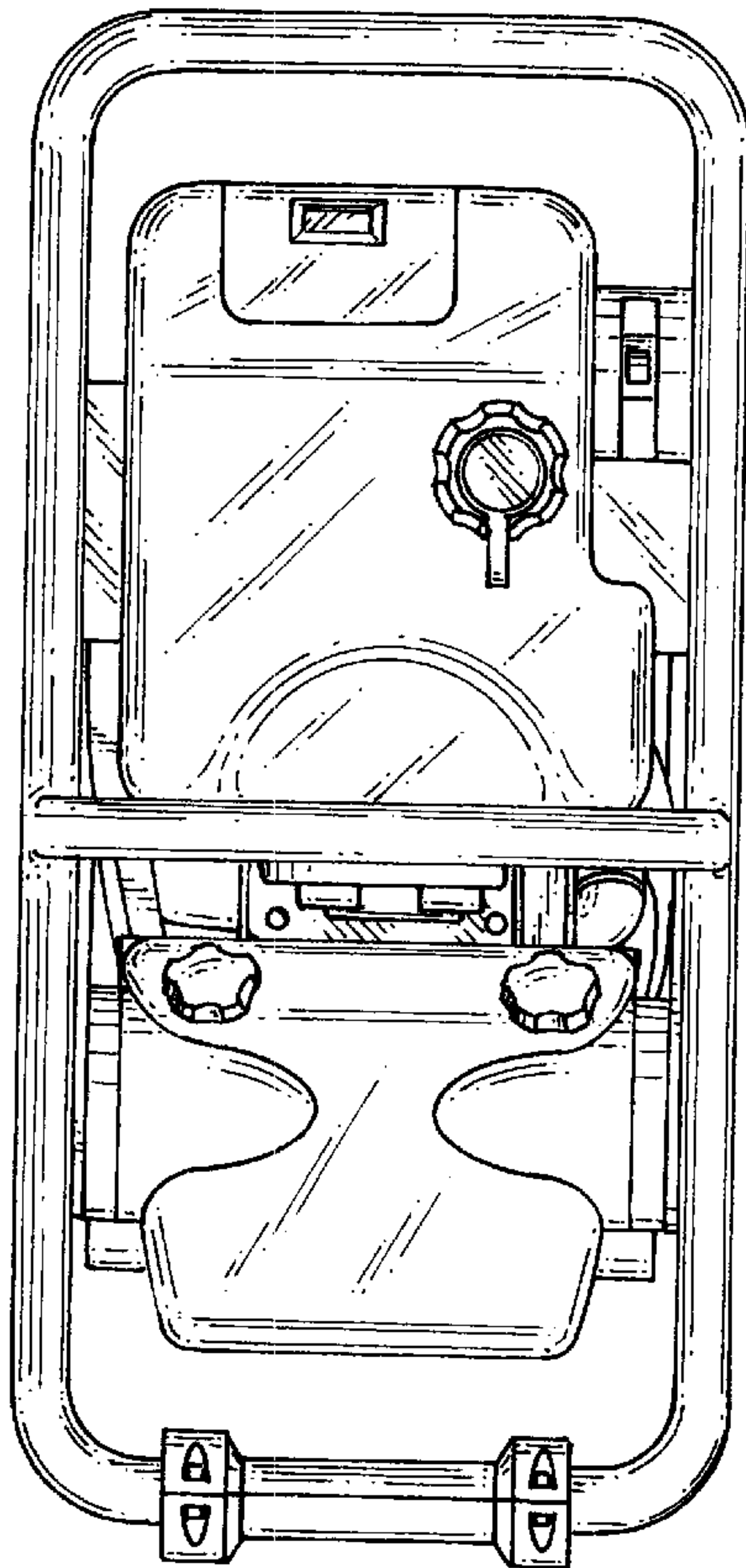


Fig. 6

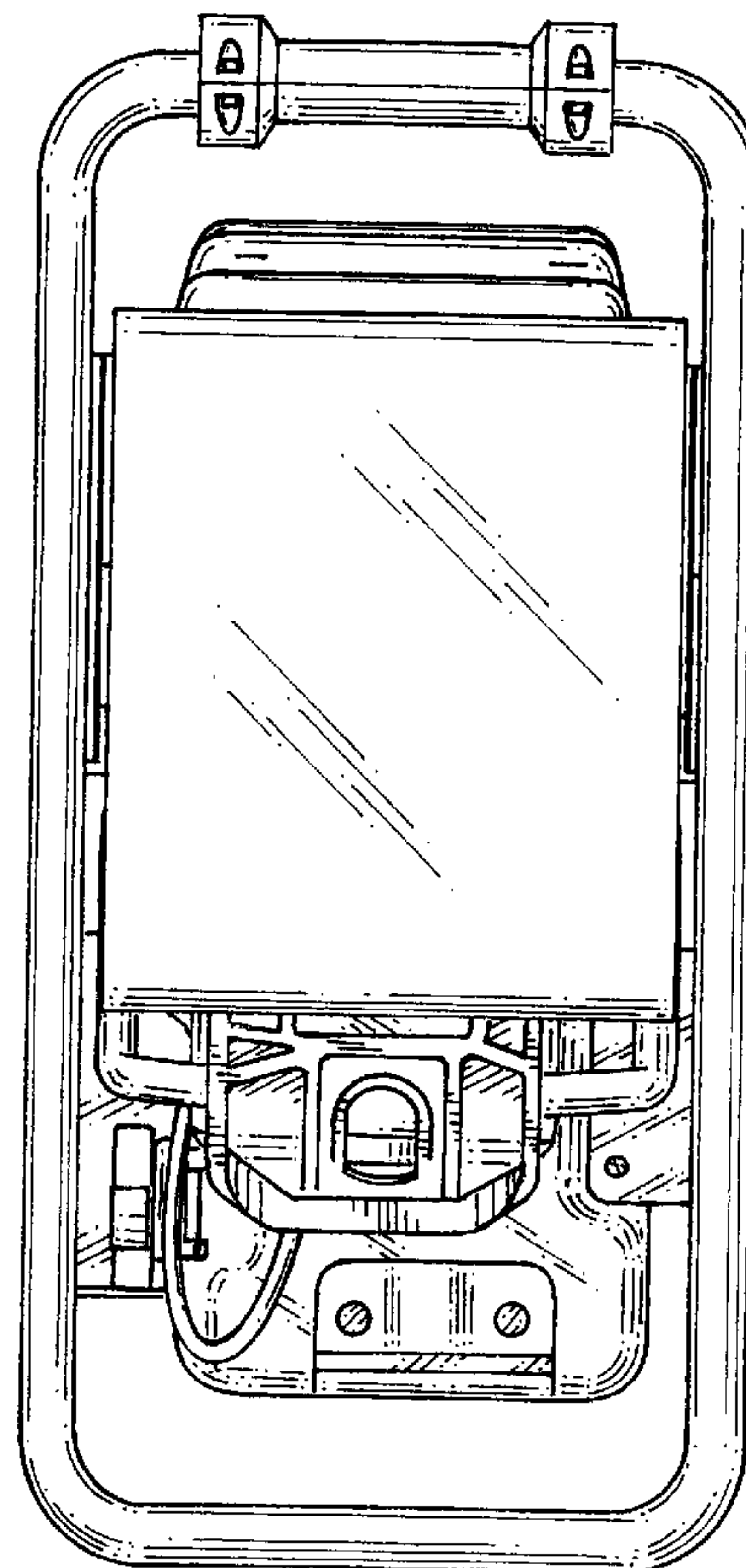


Fig. 7

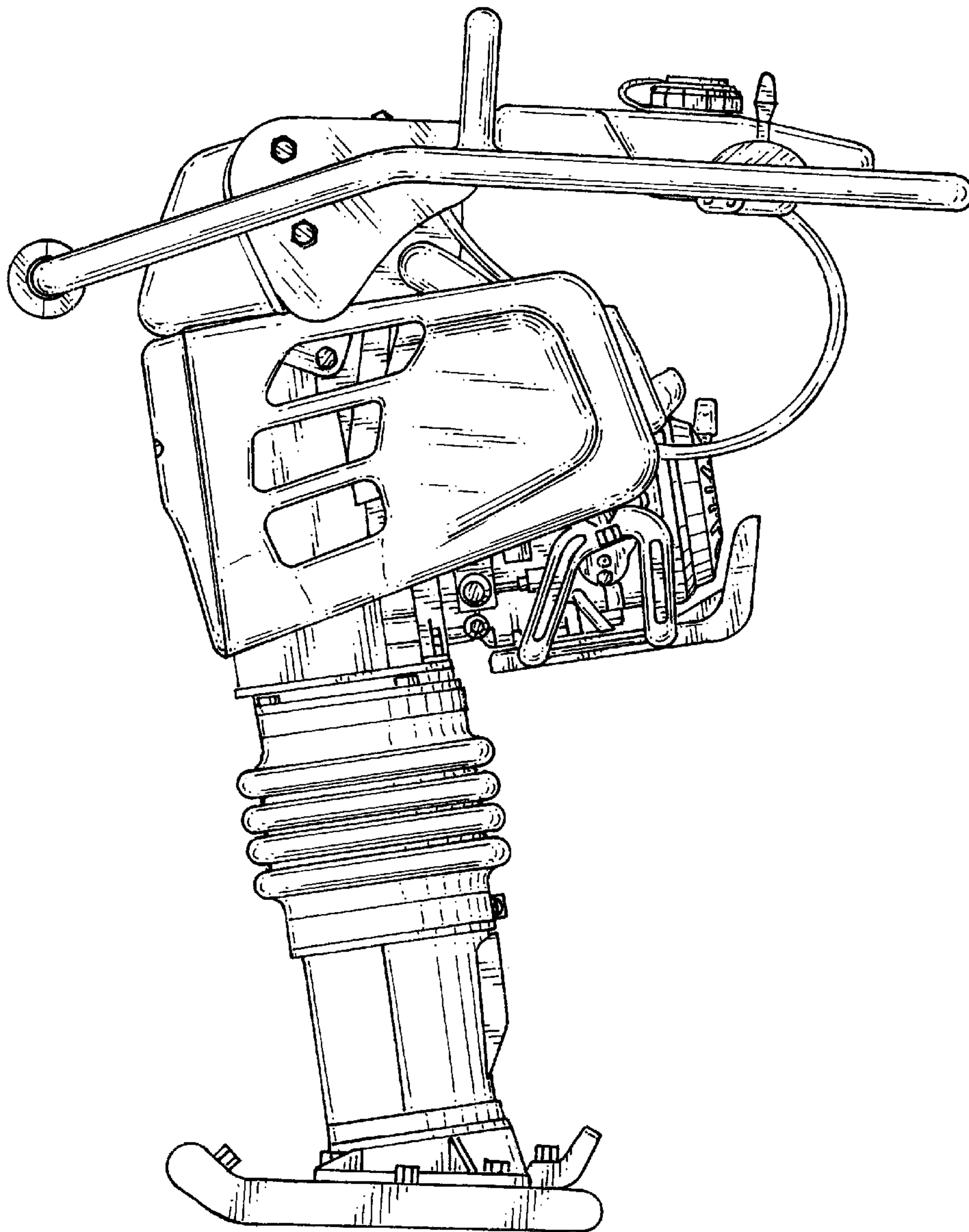


Fig. 8

