



US00D542809S

(12) **United States Design Patent**
Namiki et al.

(10) **Patent No.:** **US D542,809 S**

(45) **Date of Patent:** **** May 15, 2007**

(54) **FUEL TANK OF OUTBOARD MOTOR**

(75) Inventors: **Ikuo Namiki**, Tokyo-to (JP); **Daisuke Nakamura**, Shizuoka-ken (JP)

(73) Assignee: **Yamaha Marine Kabushiki Kaisha** (JP)

(**) Term: **14 Years**

(21) Appl. No.: **29/254,349**

(22) Filed: **Feb. 22, 2006**

(51) **LOC (8) Cl.** **15-01**

(52) **U.S. Cl.** **D15/4**

(58) **Field of Classification Search** D15/4-5;
440/75-78, 84; 123/195 C, 195 P
See application file for complete search history.

(56) **References Cited**

U.S. PATENT DOCUMENTS

2,676,559	A	*	4/1954	Davies	440/53
2,764,119	A	*	9/1956	Sigler	440/52
4,098,218	A	*	7/1978	Pichl	440/77
D289,170	S	*	4/1987	Mikado et al.	D15/4
4,789,363	A	*	12/1988	Wicklein	440/2
D318,474	S	*	7/1991	Reynolds	D15/4
D409,205	S	*	5/1999	Ohsumi et al.	D15/4

5,984,743 A * 11/1999 Wada et al. 440/88 R
D466,907 S * 12/2002 Ohsumi D15/4

* cited by examiner

Primary Examiner—Alan P. Douglas

Assistant Examiner—Maurice Stevens

(74) *Attorney, Agent, or Firm*—Ostrolenk, Faber, Gerb & Soffen, LLP

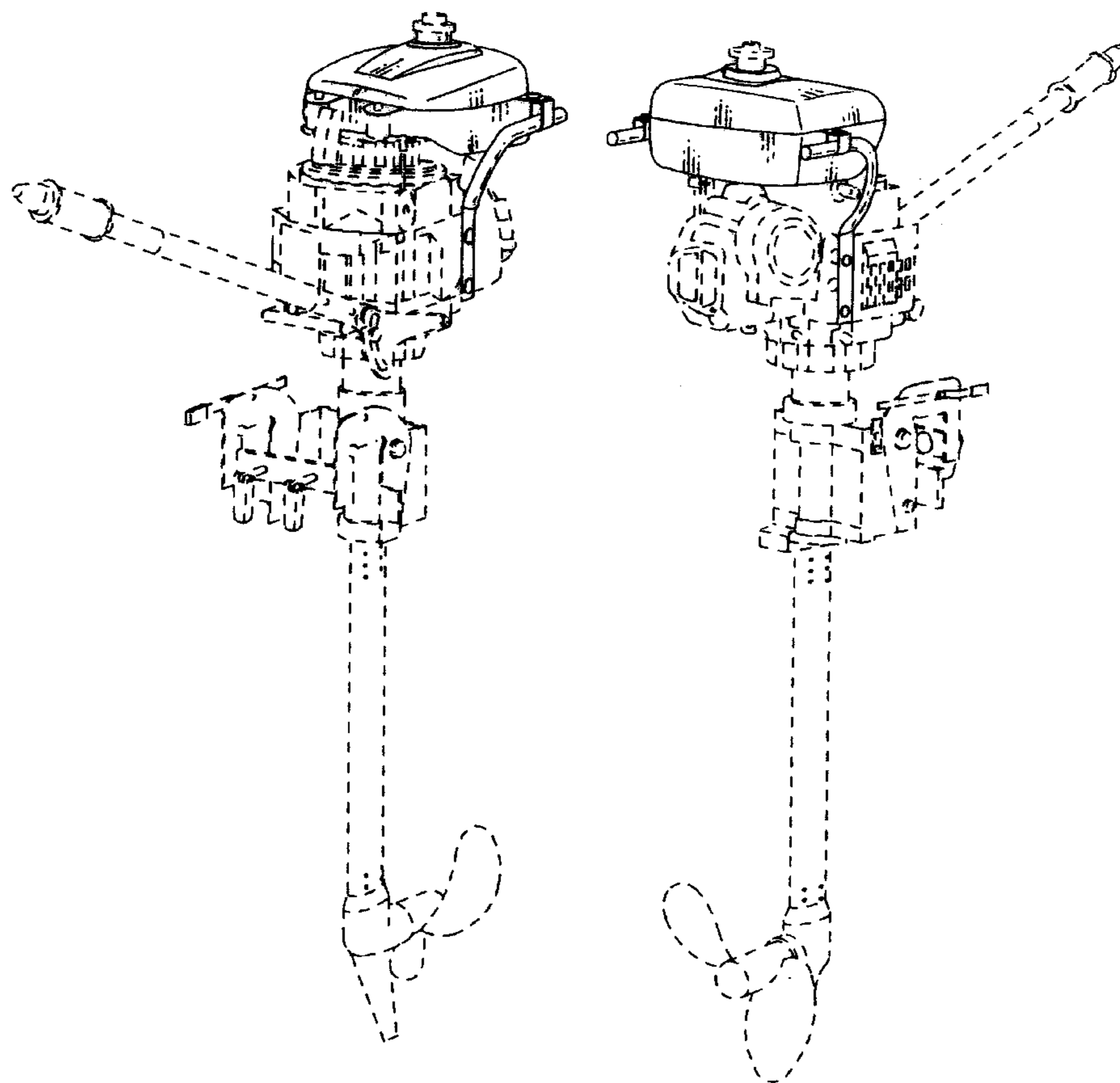
(57) **CLAIM**

The ornamental design for a fuel tank of outboard motor, as shown.

DESCRIPTION

FIG. 1 is front, right side perspective view of an outboard motor, showing my new design;
FIG. 2 is a front, left side perspective view thereof;
FIG. 3 is a right side view thereof;
FIG. 4 is a left side view thereof;
FIG. 5 is a front view thereof;
FIG. 6 is a rear view thereof;
FIG. 7 is a top plan view thereof; and,
FIG. 8 is a bottom view thereof.
The broken lines shown in FIGS. 1-8 are included for the purpose of illustrating environment and form no part of the claimed design.

1 Claim, 6 Drawing Sheets



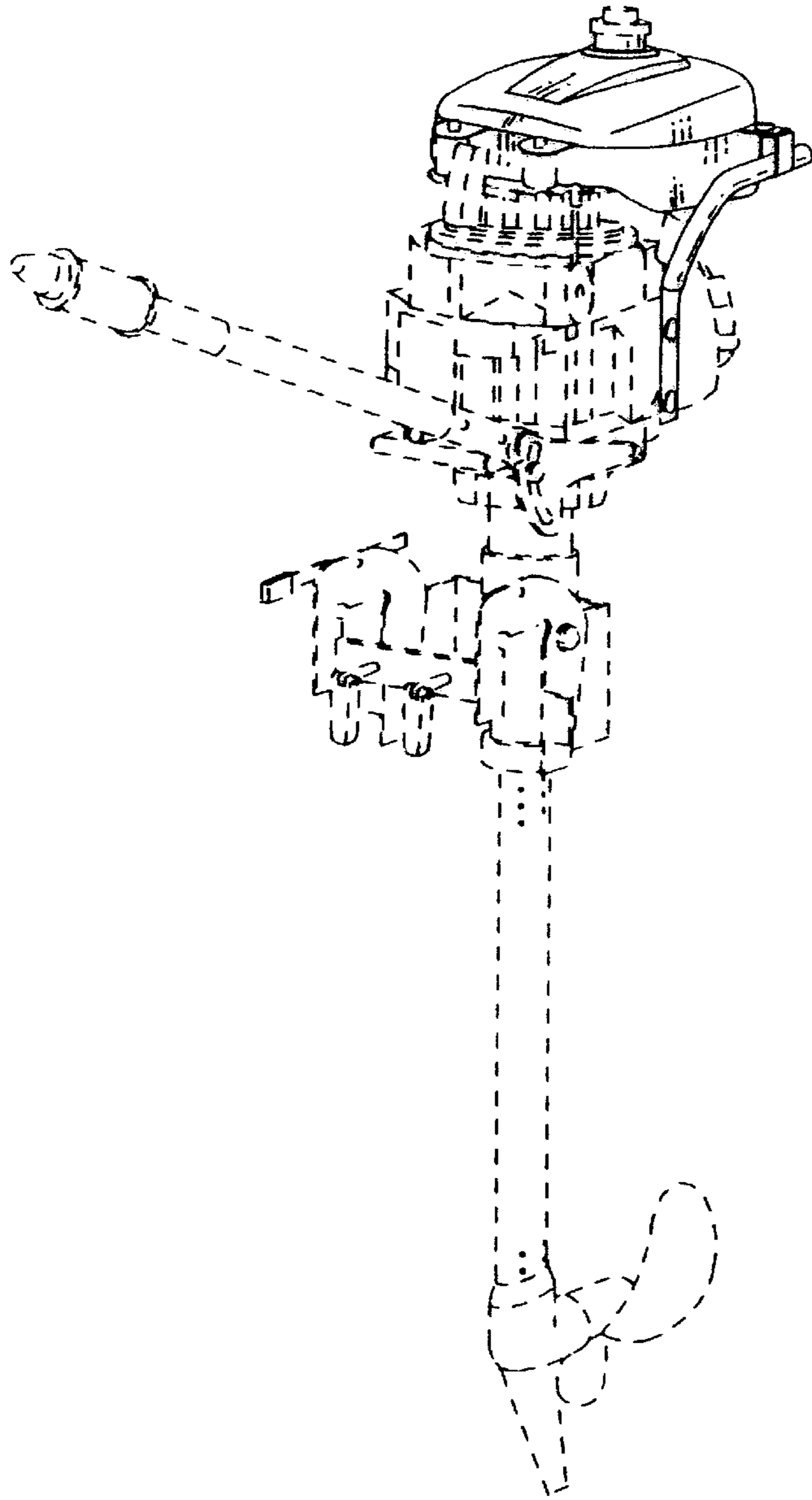


FIG. 1

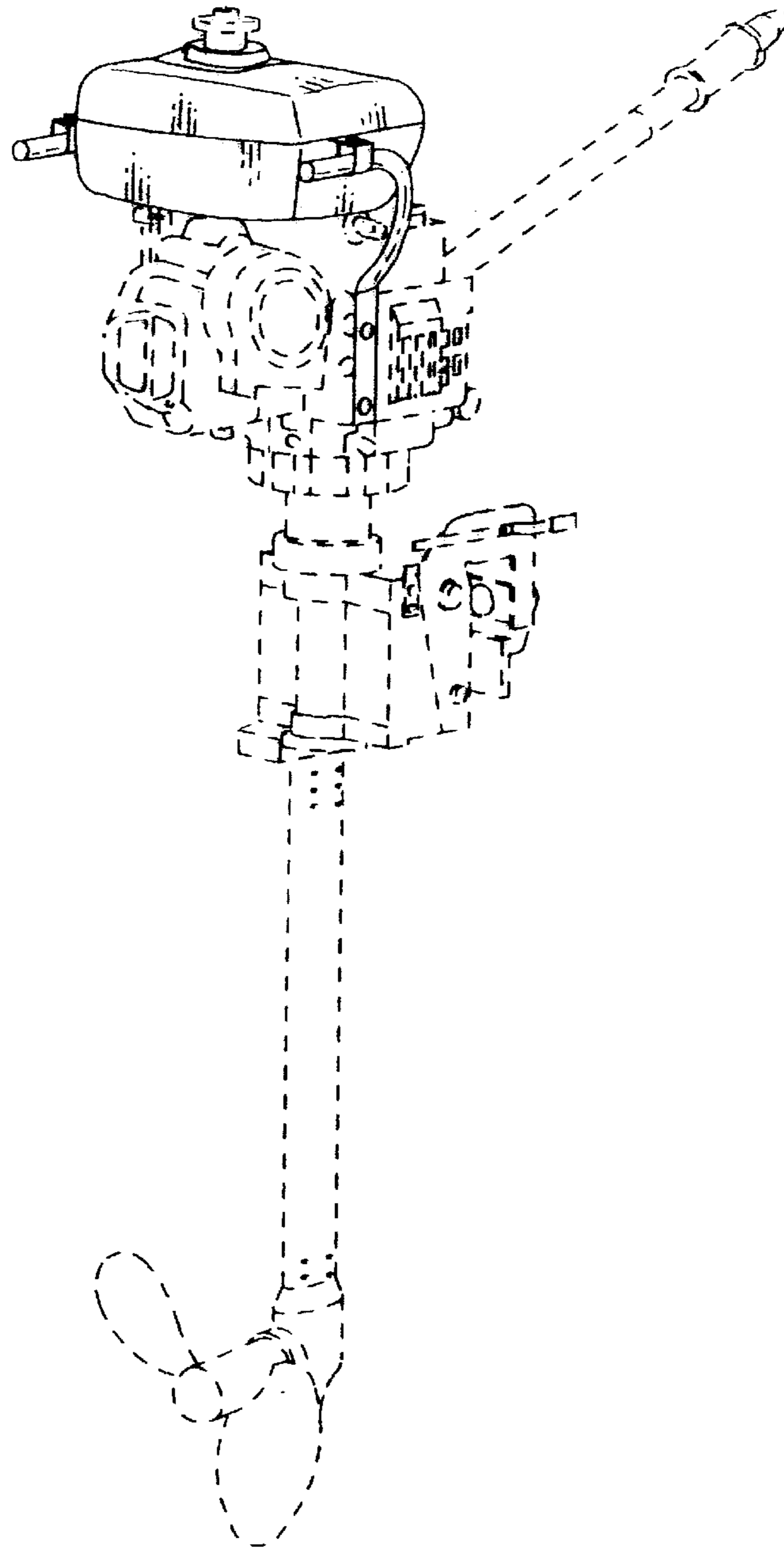


FIG. 2

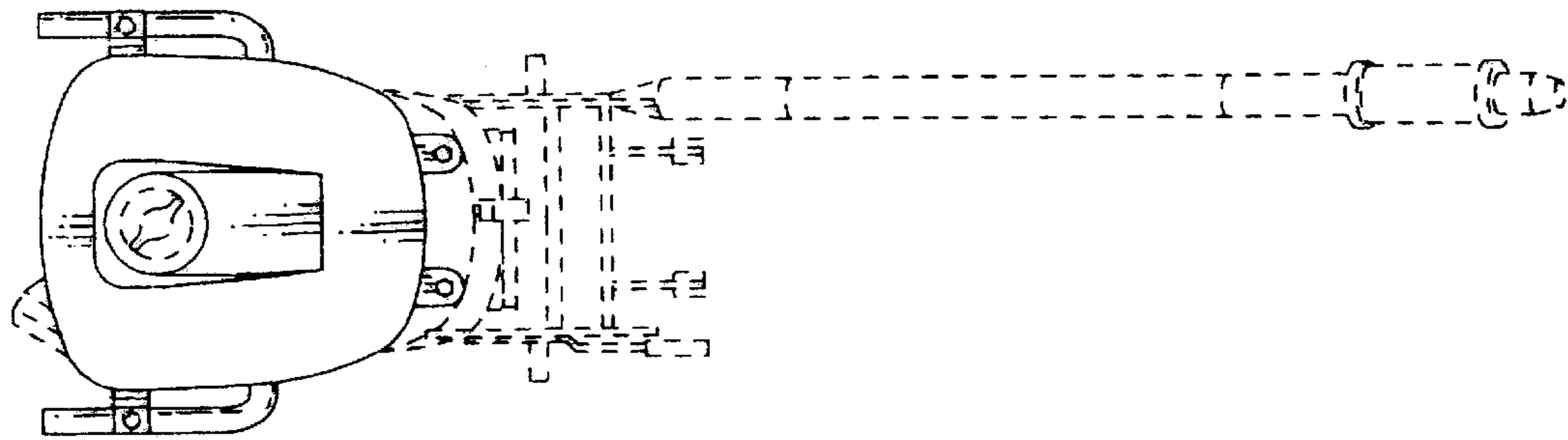


FIG. 3

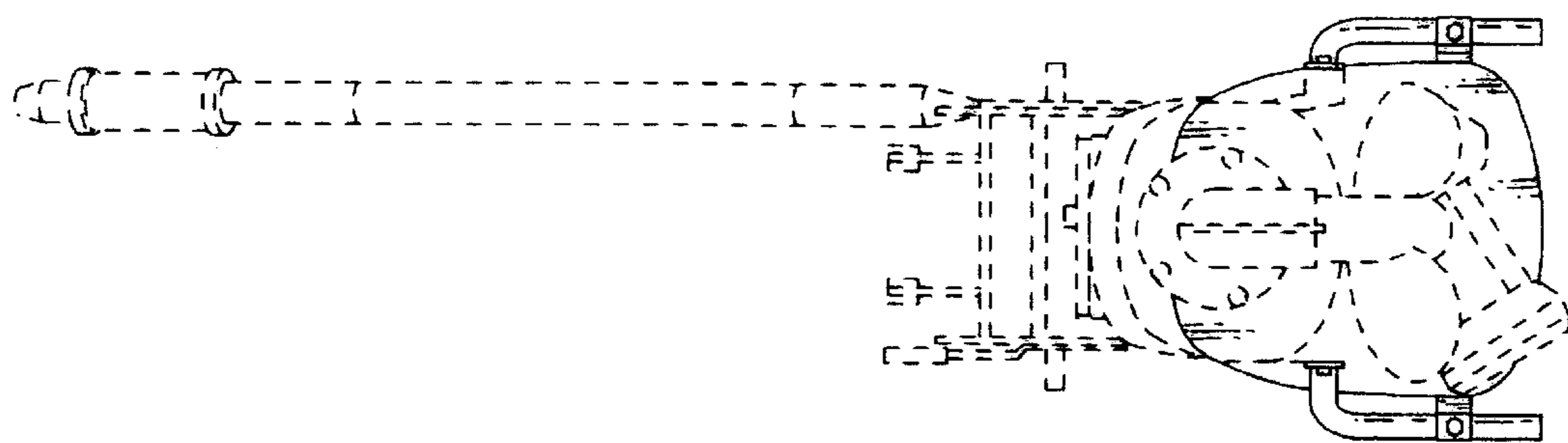


FIG. 4

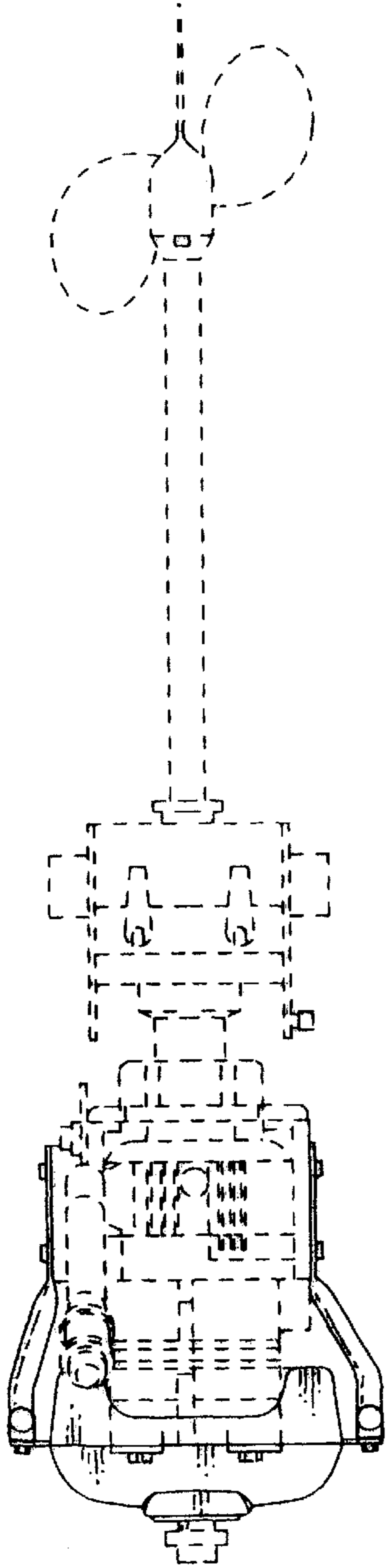


FIG. 5

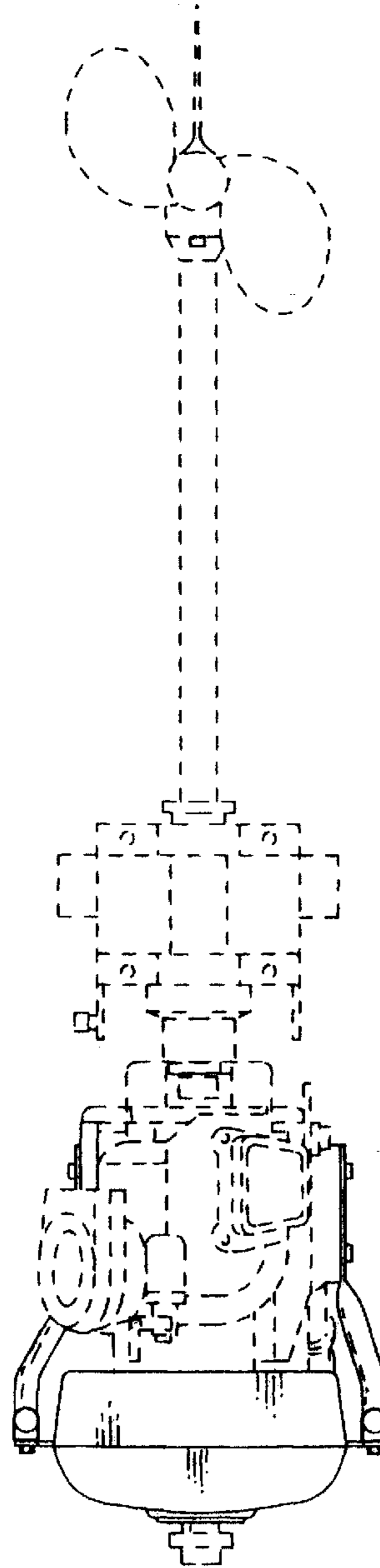


FIG. 6

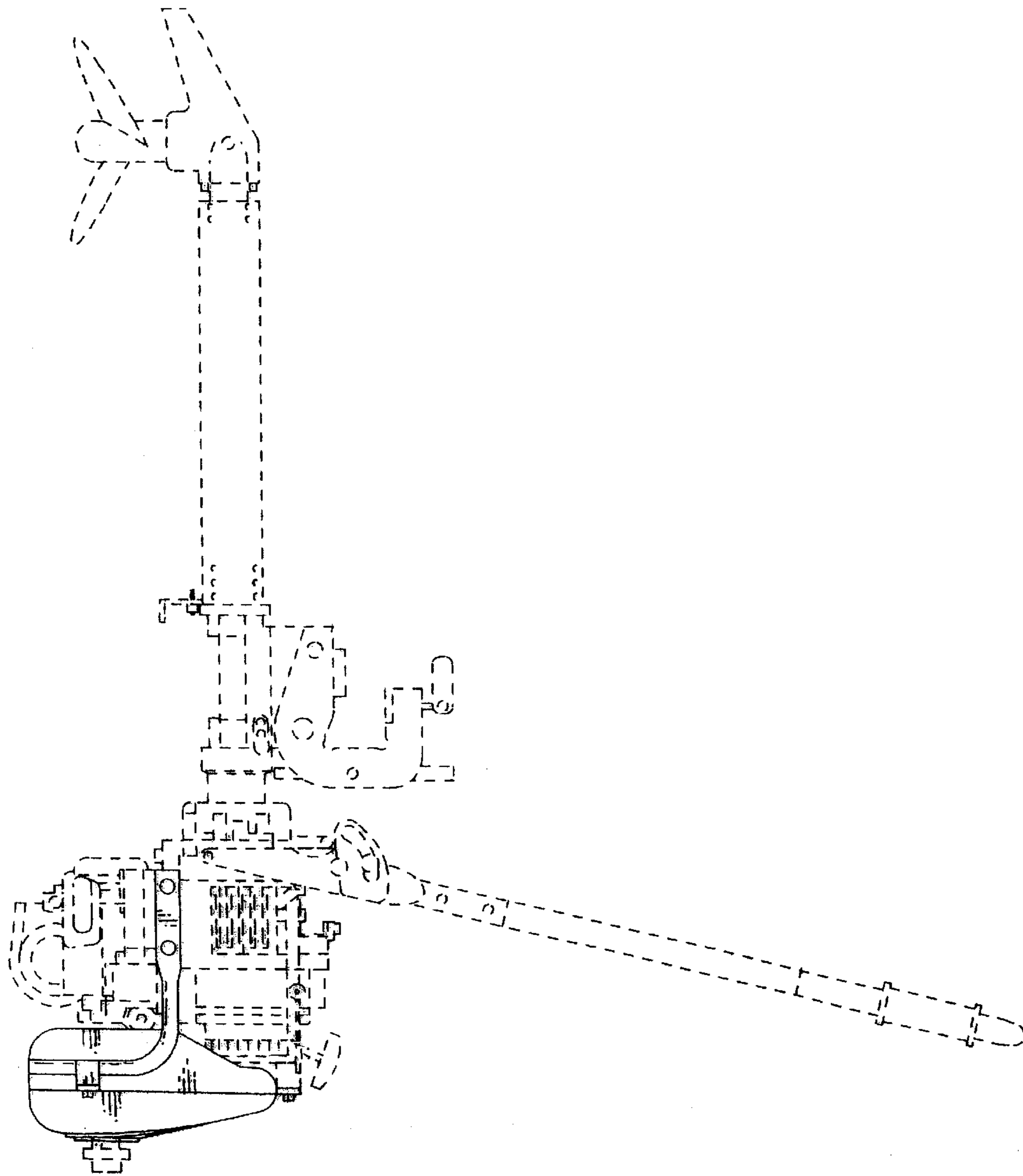


FIG. 7

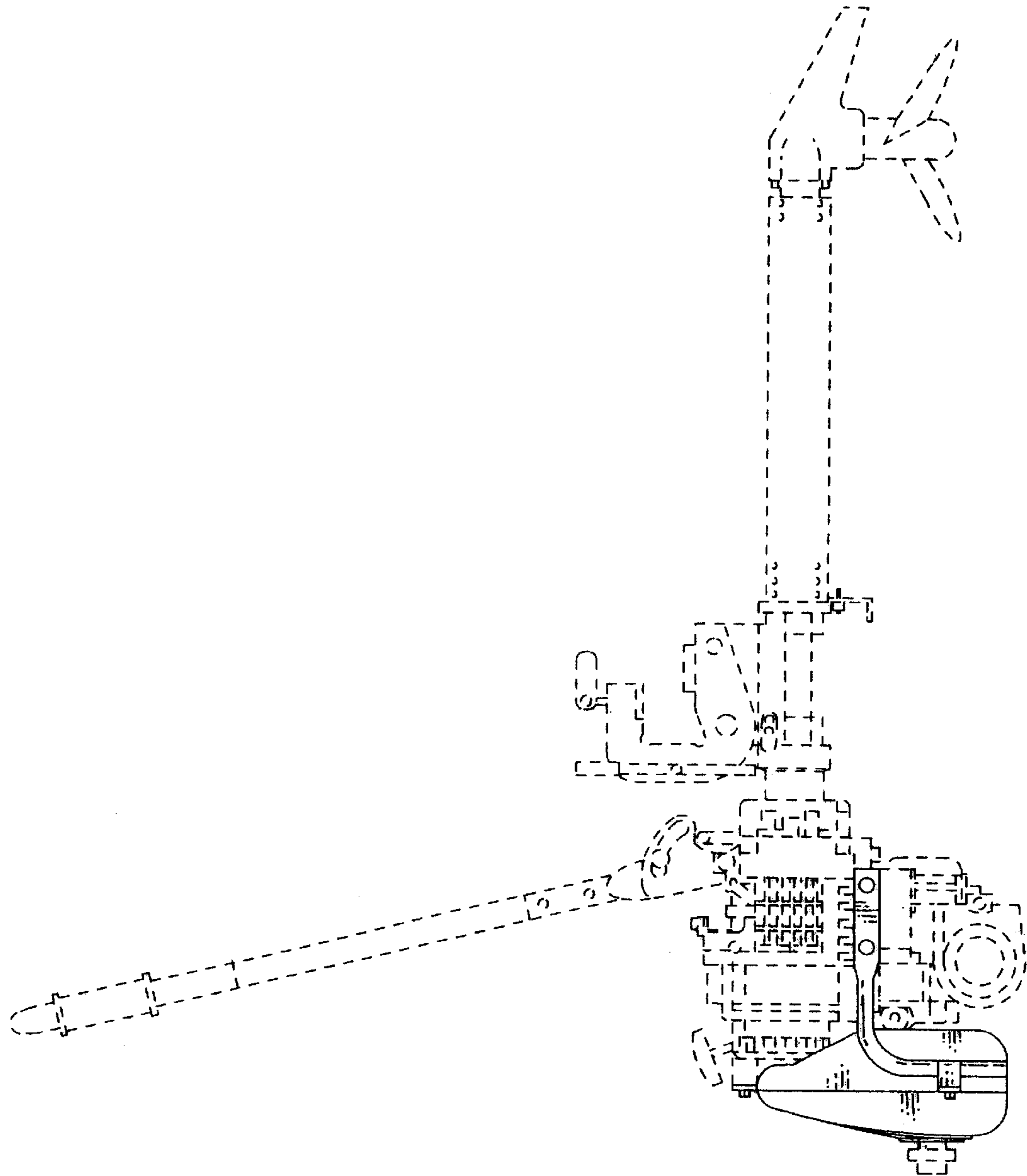


FIG. 8