

US00D542807S

(12) **United States Design Patent**
Long et al.

(10) **Patent No.: US D542,807 S**

(45) **Date of Patent: ** May 15, 2007**

(54) **BEZEL AND USER INTERFACE FOR AUDIO/VIDEO EQUIPMENT**

D475,030 S * 5/2003 Senda et al. D14/135
D479,524 S * 9/2003 Nara D14/258
D497,906 S * 11/2004 Kellom et al. D14/257

(75) Inventors: **Bruce Long**, Pelham, NH (US);
Thomas Eagan, Chelmsford, MA (US);
Scott Wakefield, Andover, MA (US);
Jonathan N. Towle, Amherst, NH
(US); **Benjamin D. Hormance**,
Worcester, MA (US)

* cited by examiner

Primary Examiner—Nanda Bondade
(74) *Attorney, Agent, or Firm*—Mintz, Levin, Cohn, Ferris,
Glovsky and Popeo, P.C.

(73) Assignee: **American Power Conversion Corporation**, West Kingston, RI (US)

(57) **CLAIM**

The ornamental design of a bezel and user interface for audio/video equipment, as shown and described.

(**) Term: **14 Years**

DESCRIPTION

(21) Appl. No.: **29/226,484**

(22) Filed: **Mar. 29, 2005**

(51) **LOC (8) Cl.** **14-01**

(52) **U.S. Cl.** **D14/496; D14/257**

(58) **Field of Classification Search** D14/135–136,
D14/156–157, 167–168, 197–198, 188, 257,
D14/258, 496; 360/99.02, 99.07; 369/75.11,
369/75.21, 77.21, 77.11; 720/612, 619, 647,
720/655; 455/344, 347–351

See application file for complete search history.

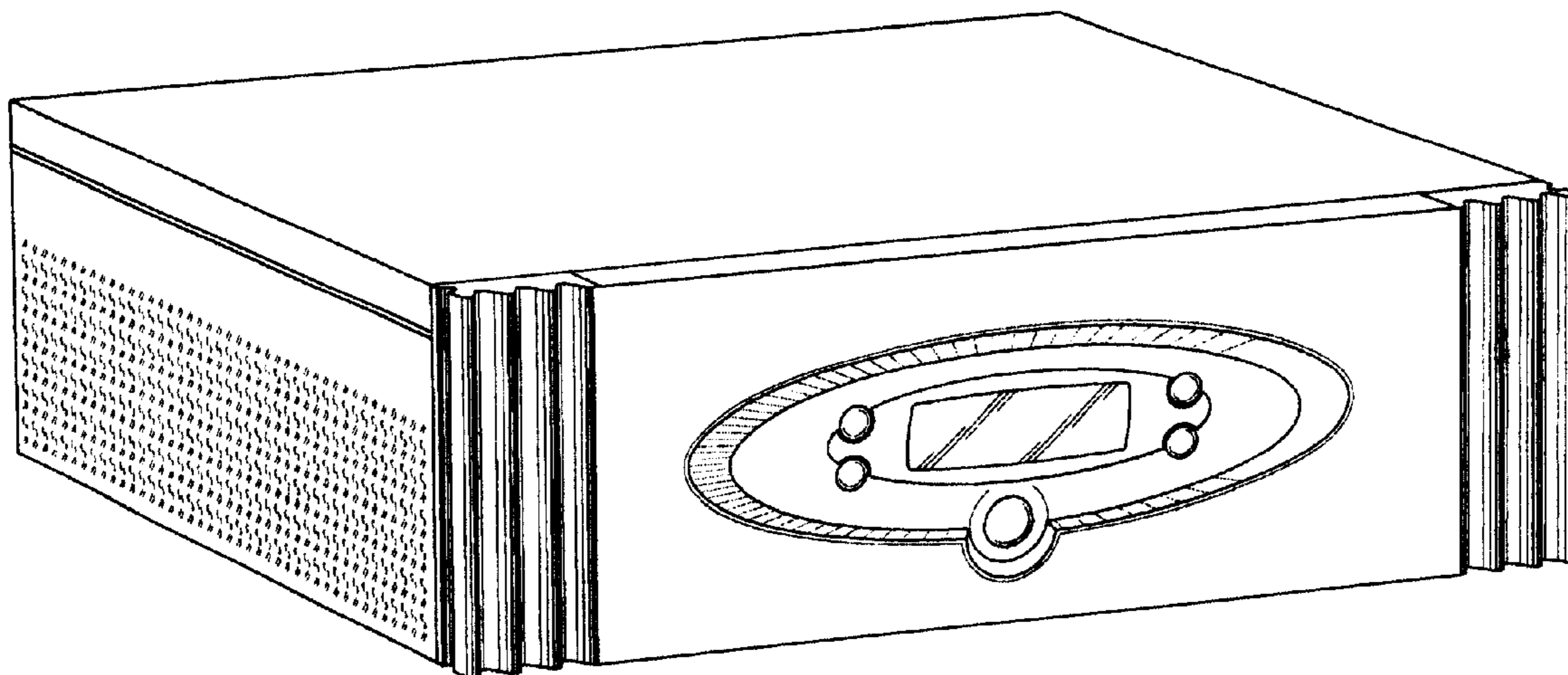
FIG. 1 is a perspective view of a bezel and user interface for audio/video equipment showing our new design;
FIG. 2 is front elevational view thereof;
FIG. 3 is a left side elevational view thereof;
FIG. 4 is a right side elevational view thereof;
FIG. 5 is a top plan view thereof;
FIG. 6 is a rear elevational view thereof;
FIG. 7 is a front perspective view of a second embodiment of FIG. 1;
FIG. 8 is front elevational view of FIG. 7;
FIG. 9 is a left side elevational view of FIG. 7;
FIG. 10 is a right side elevational view of FIG. 7;
FIG. 11 is a top plan view of FIG. 7; and,
FIG. 12 is a rear elevational view of FIG. 7.
The broken lines in the drawing are for illustrative purposes only and forms no part of the claimed design.

(56) **References Cited**

U.S. PATENT DOCUMENTS

D473,538 S * 4/2003 Powell et al. D14/188
D473,854 S * 4/2003 Powell et al. D14/257

1 Claim, 6 Drawing Sheets



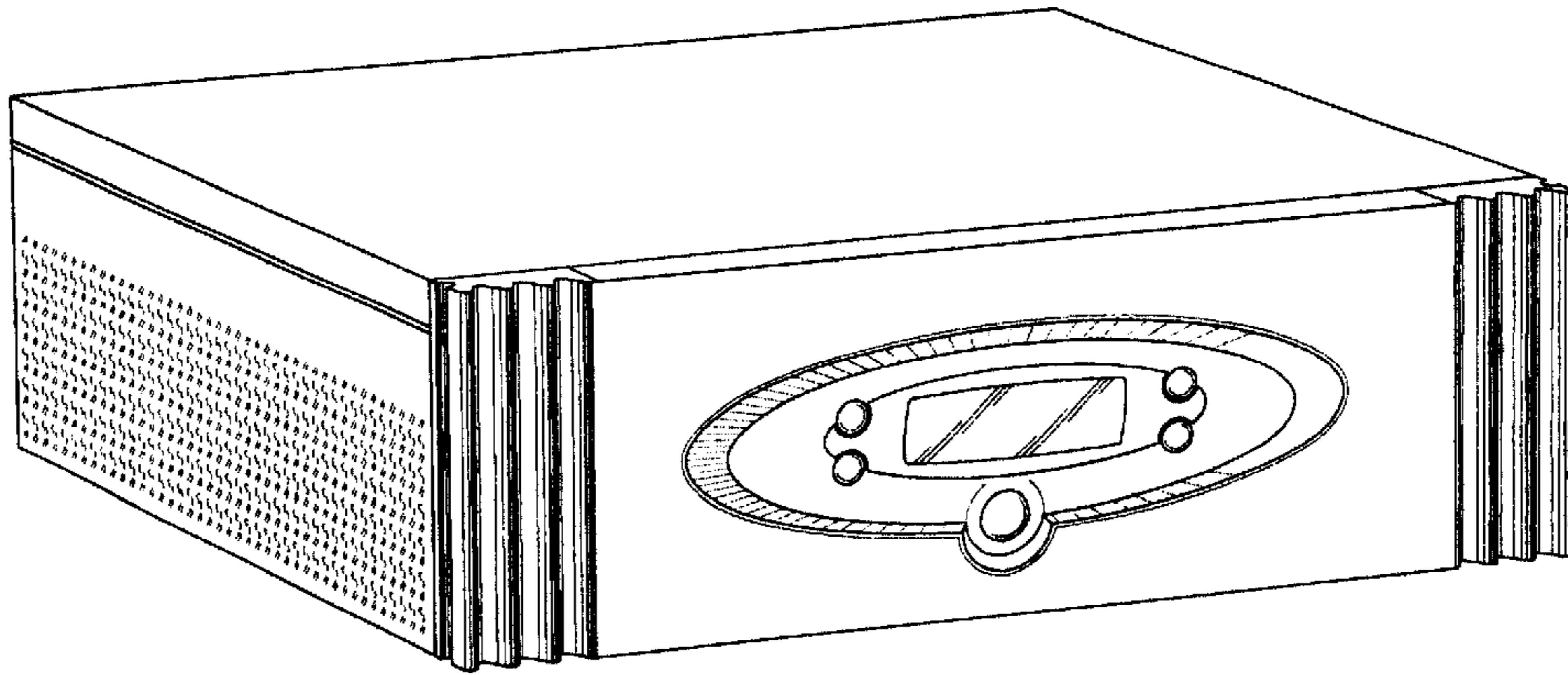


Fig. 1

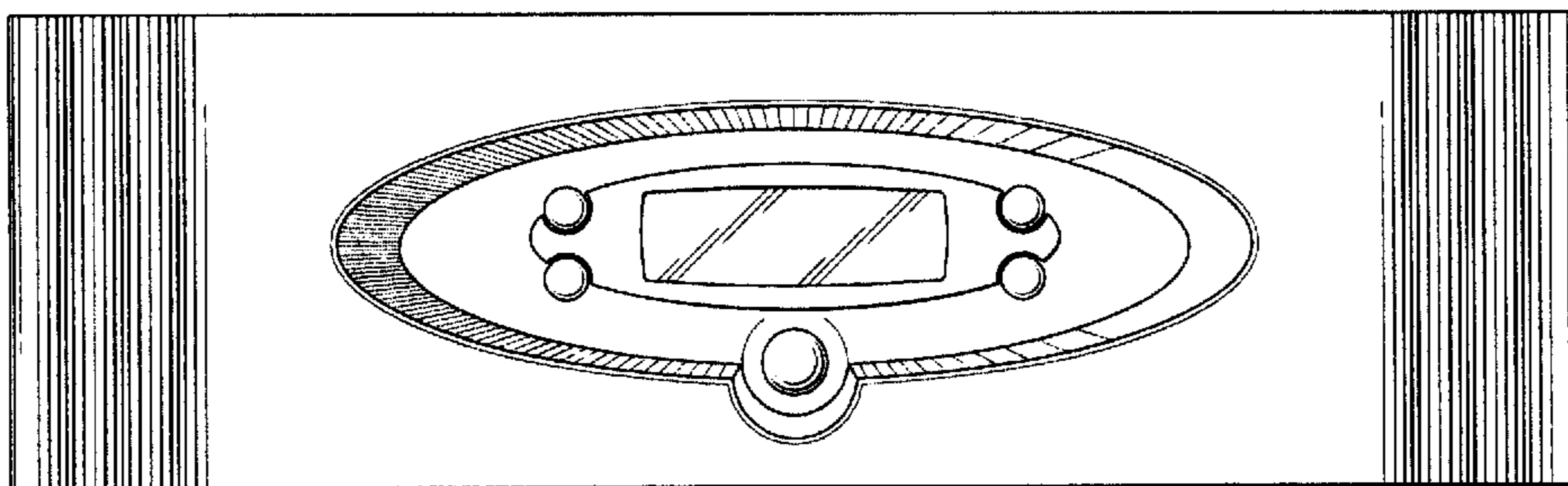


Fig. 2

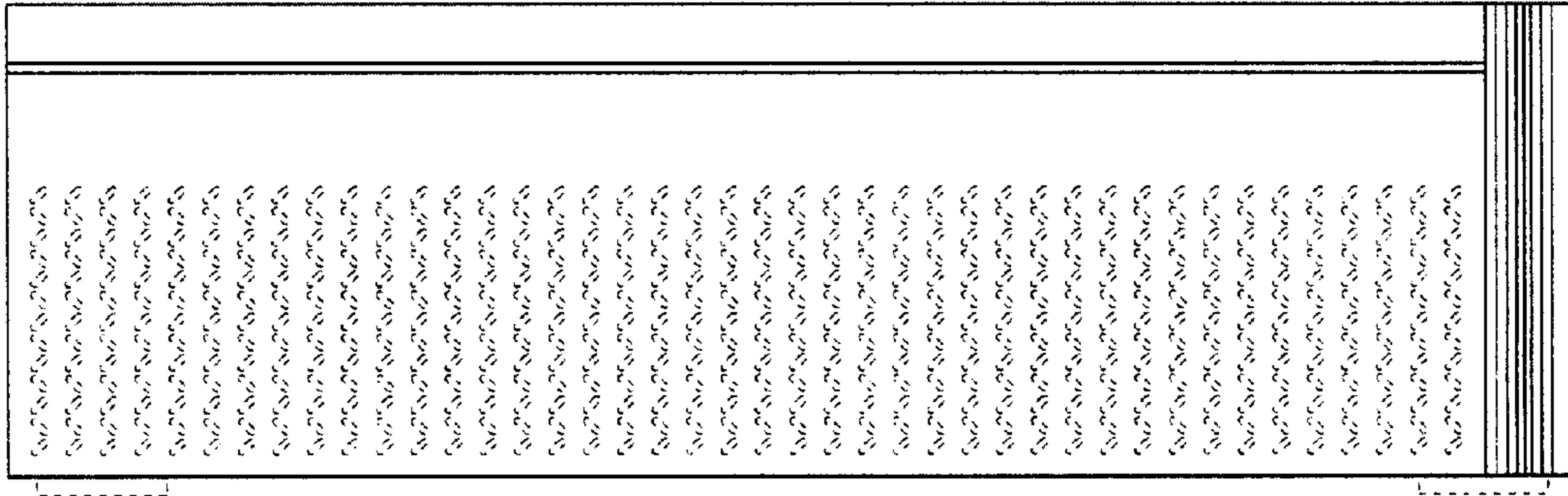


Fig. 3

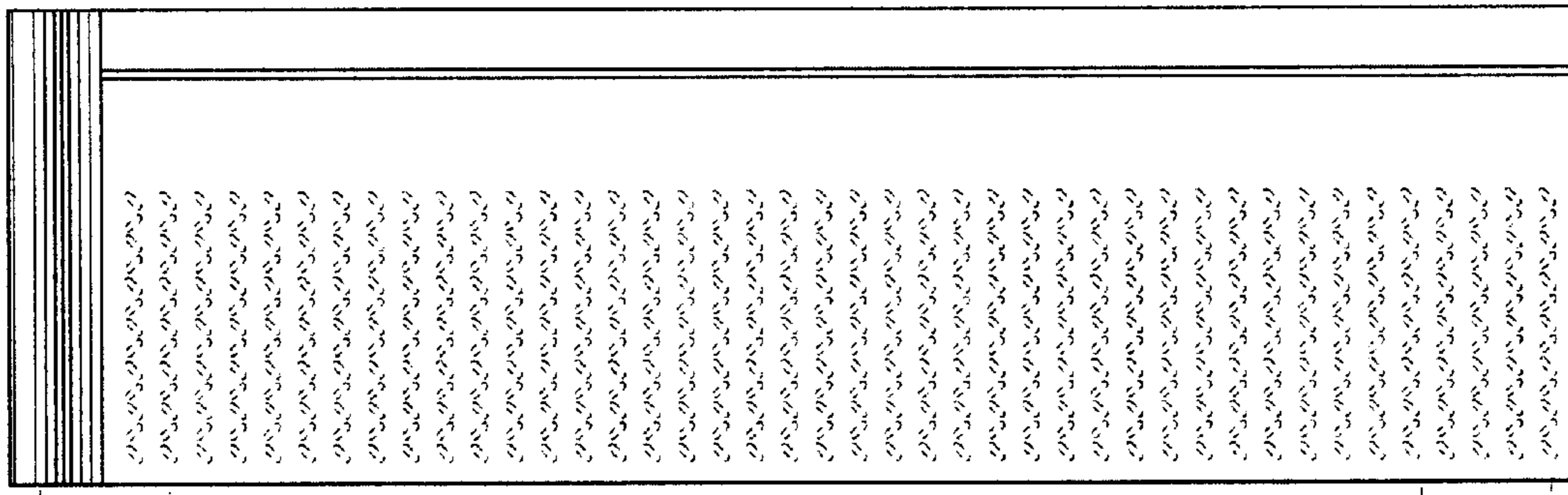


Fig. 4

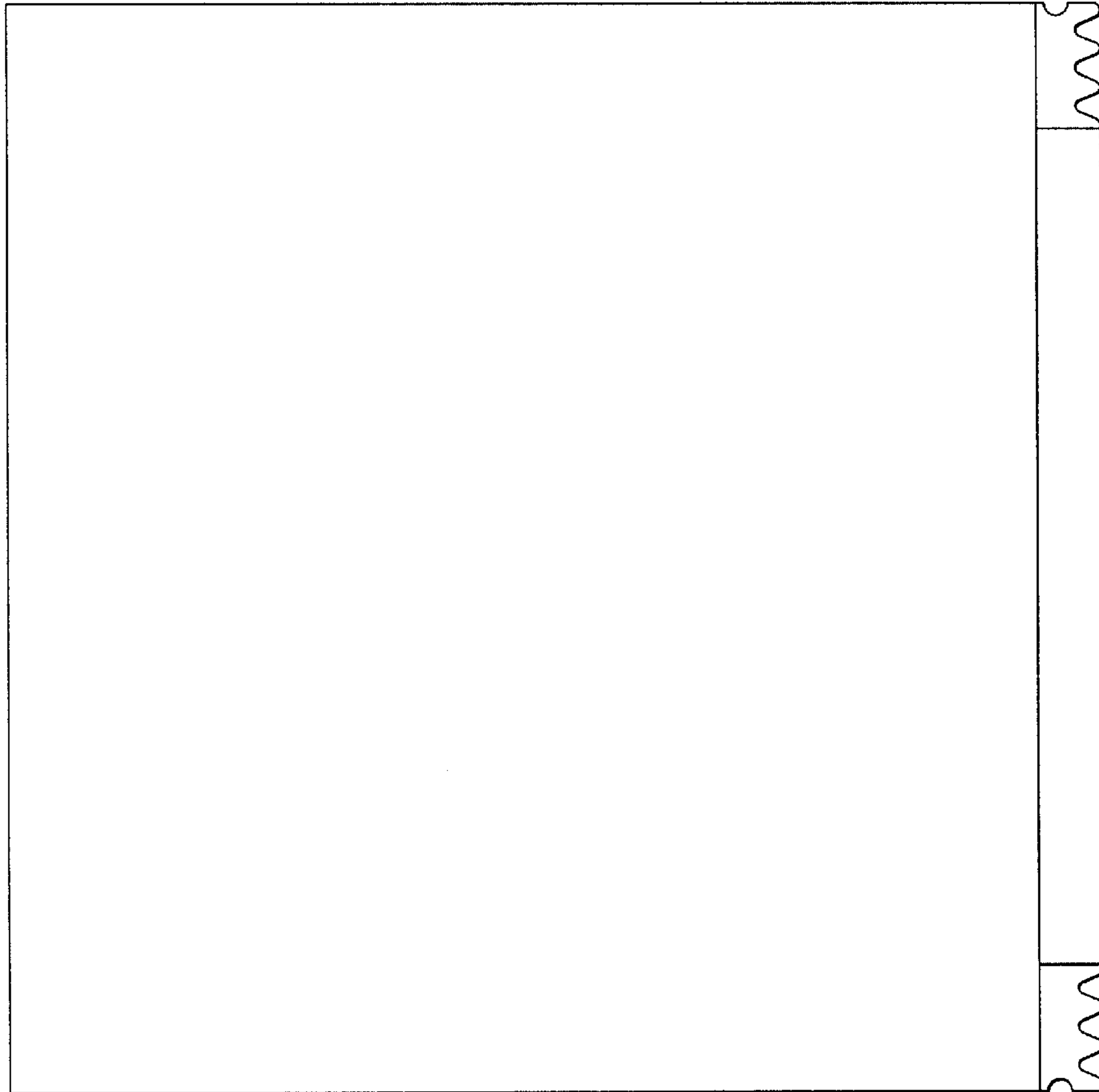


Fig. 5

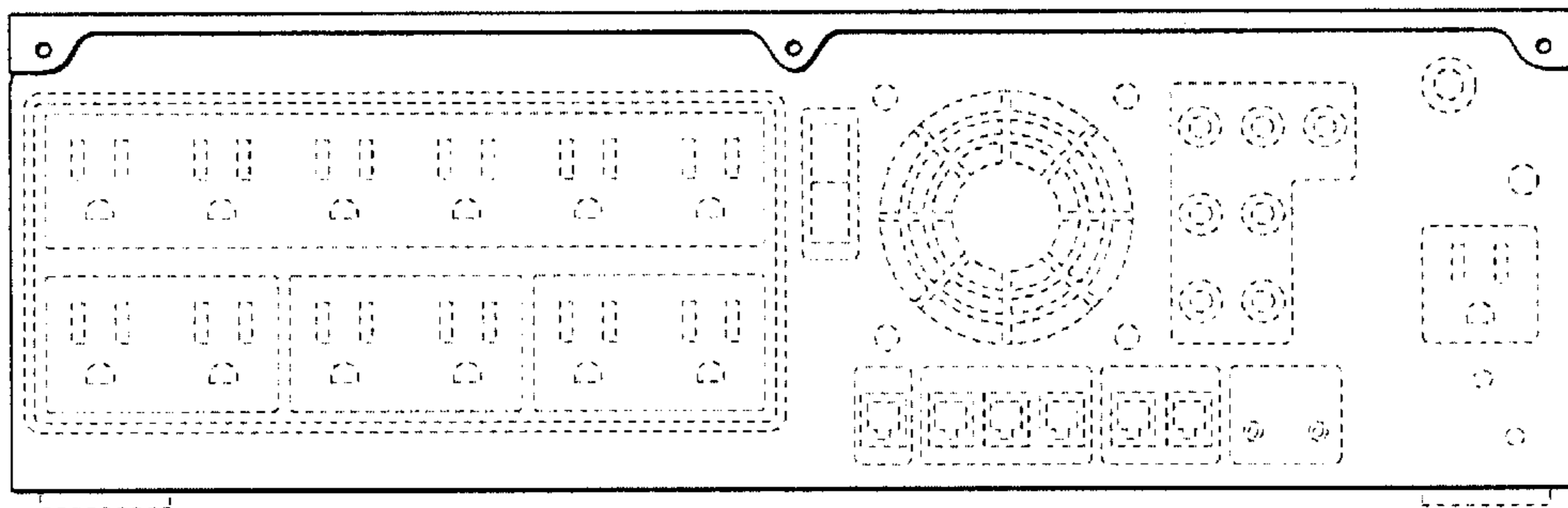


Fig. 6

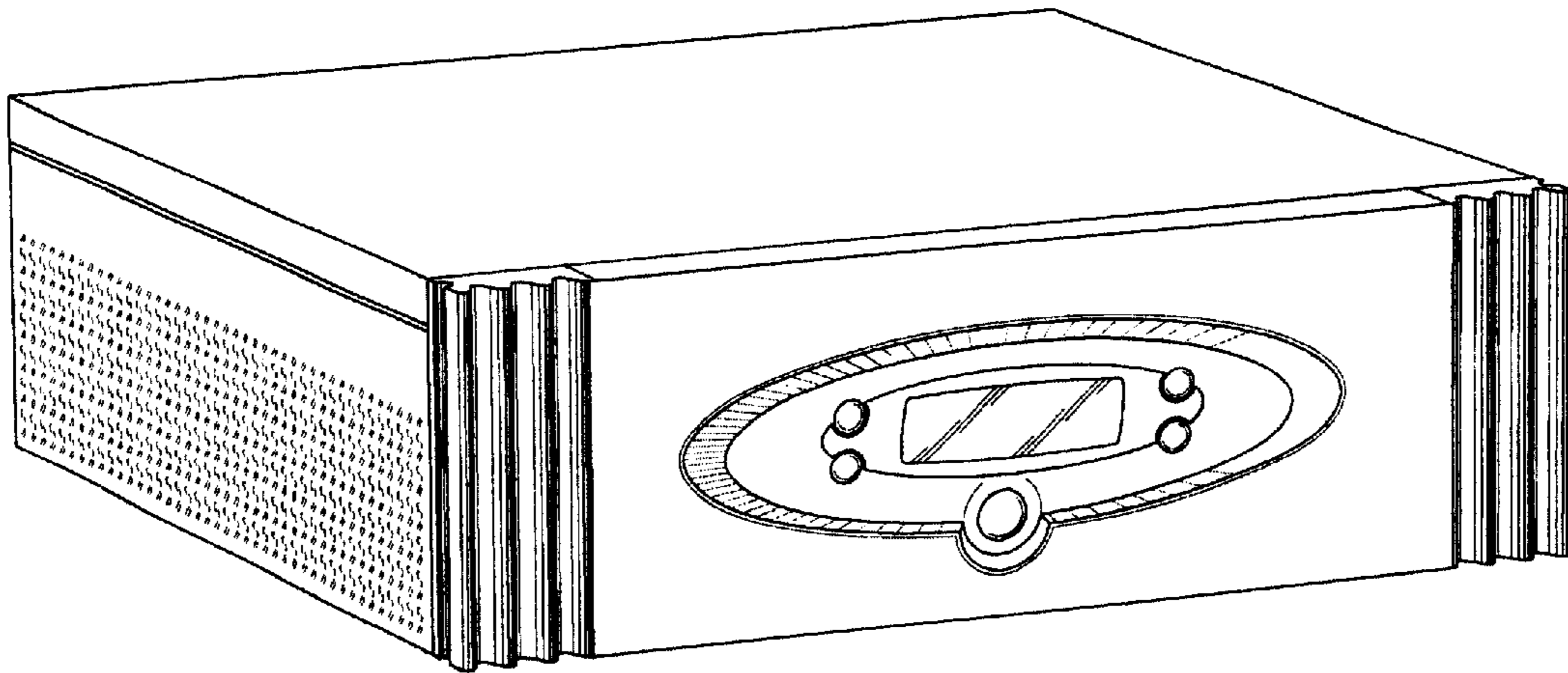


Fig. 7

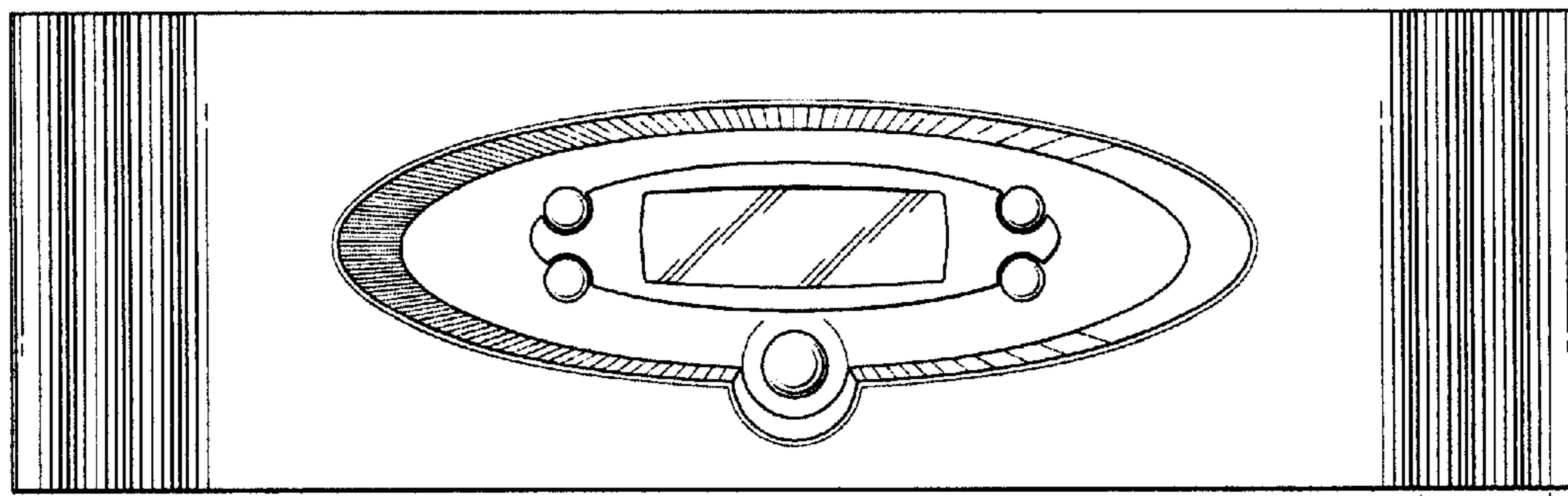


Fig. 8

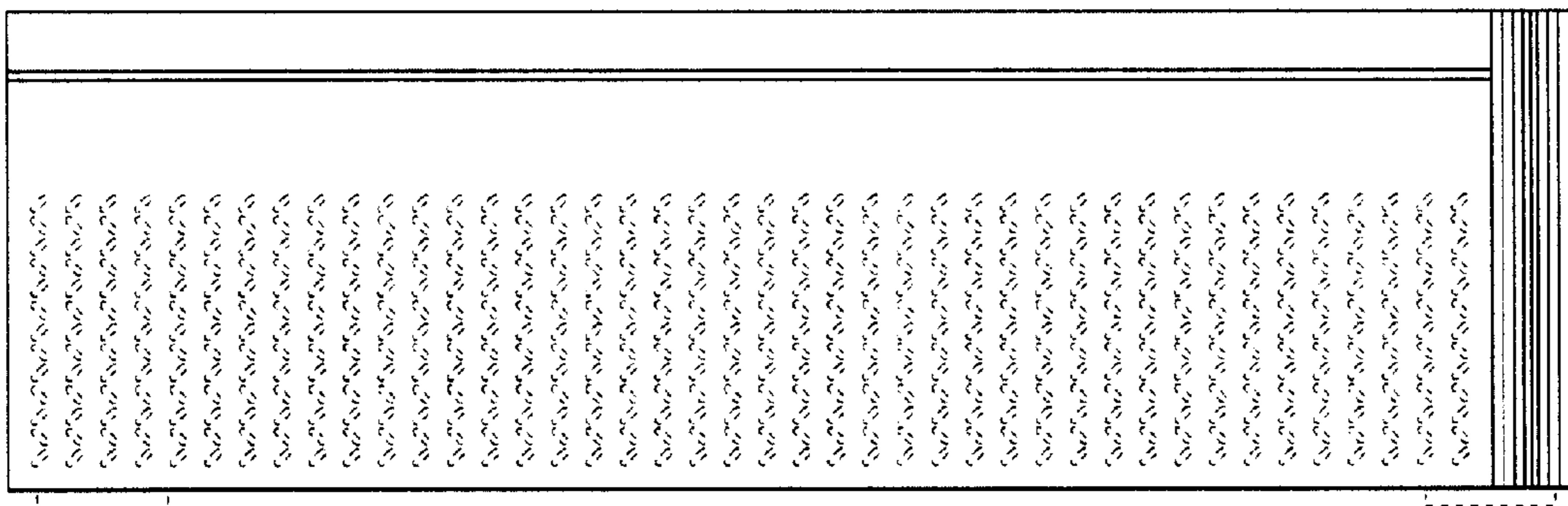


Fig. 9

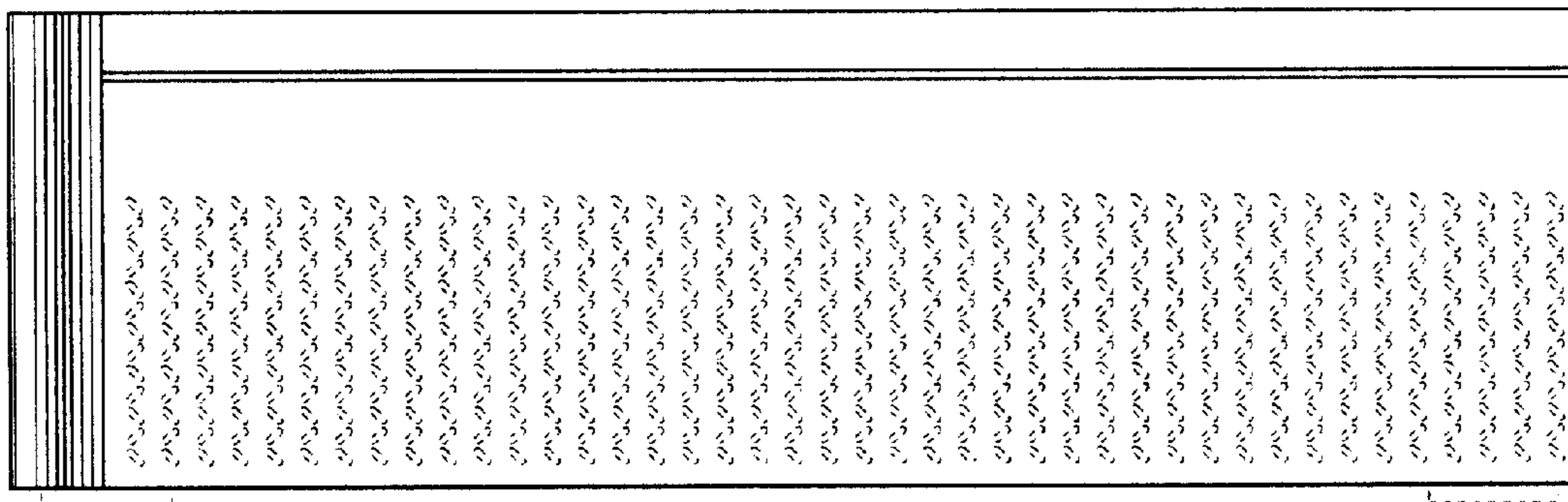


Fig. 10

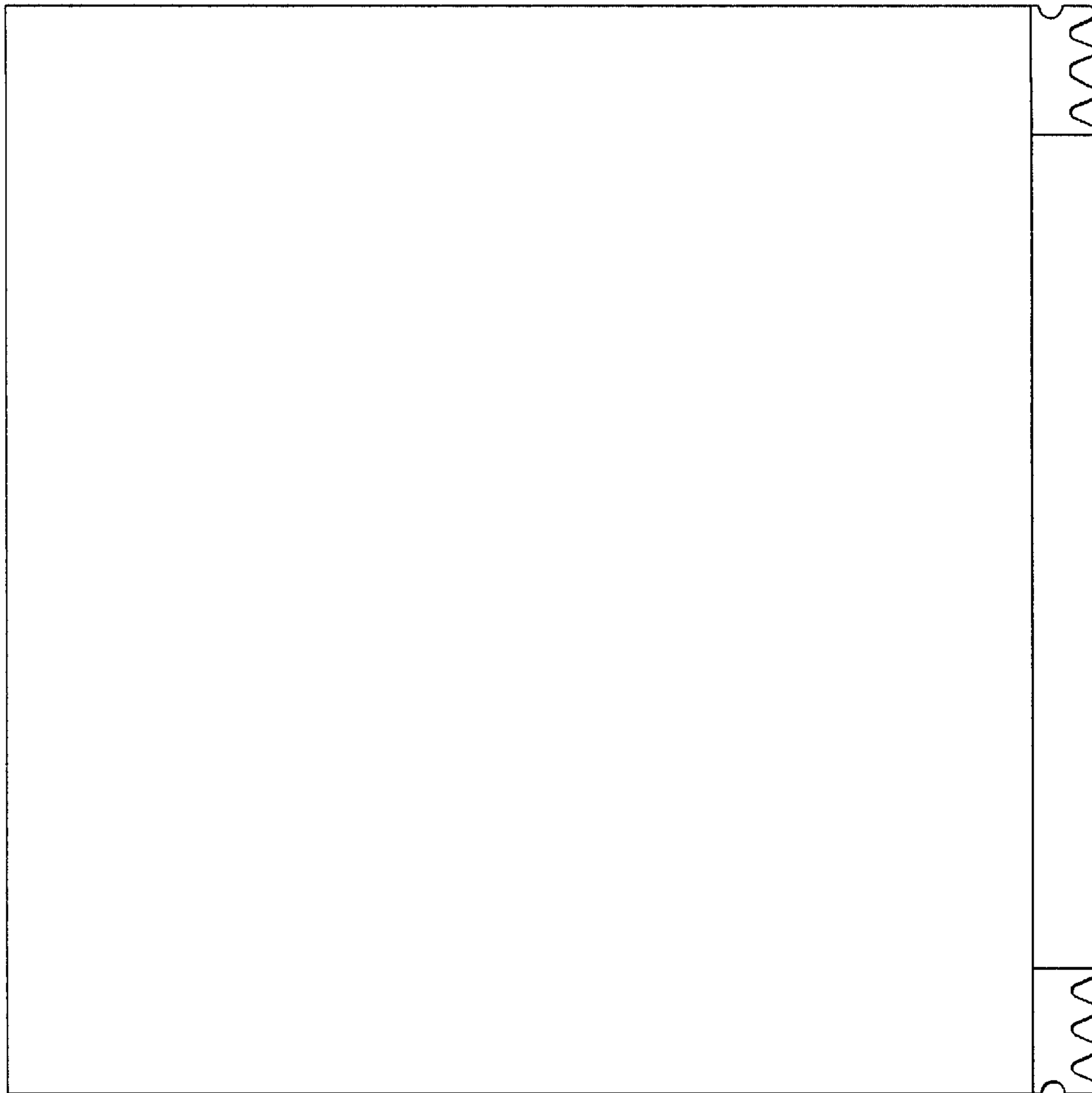


Fig. 11

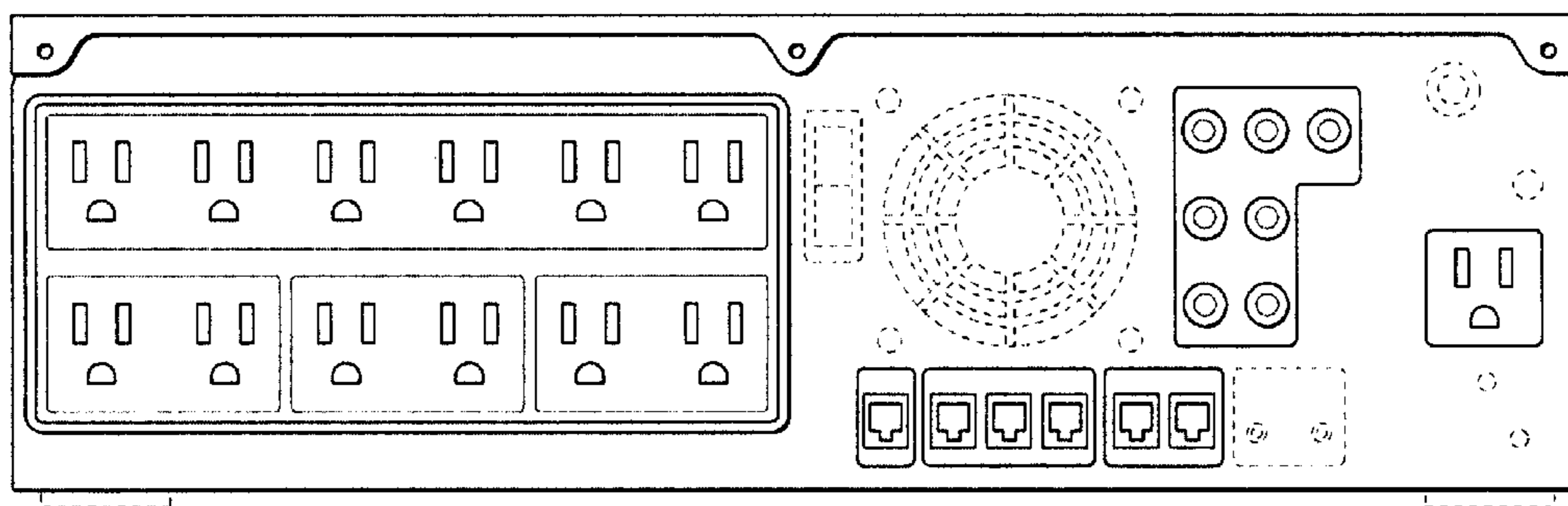


Fig. 12