

US00D542801S

(12) **United States Design Patent**  
**Croley et al.**

(10) **Patent No.:** **US D542,801 S**

(45) **Date of Patent:** **\*\* May 15, 2007**

(54) **BOTTOM PORTION HOUSING FOR A MOBILE DEVICE**

(75) Inventors: **Curt Croley**, Stoney Brook, NY (US);  
**Robert Spano**, Smithtown, NY (US)

(73) Assignee: **Symbol Technologies, Inc.**, Holtsville, NY (US)

(\*\*) Term: **14 Years**

(21) Appl. No.: **29/260,861**

(22) Filed: **Jun. 2, 2006**

(51) **LOC (8) Cl.** ..... **14-02**

(52) **U.S. Cl.** ..... **D14/453**

(58) **Field of Classification Search** ..... D14/126,  
D14/142, 218, 251, 253, 341, 346, 347, 356,  
D14/420-430, 432, 434, 453, 466; D13/107,  
D13/184; D21/333; 235/435, 486, 462.43,  
235/462.45; 248/159, 678; 320/114-5, 123;  
361/679; 379/455; 382/313, 321; 455/561,  
455/572, 575.1

See application file for complete search history.

(56) **References Cited**

**U.S. PATENT DOCUMENTS**

5,331,136 A \* 7/1994 Koenck et al. .... 235/375  
D414,470 S \* 9/1999 Chacon et al. .... D14/341  
D414,760 S \* 10/1999 Hetfield et al. .... D14/426  
D436,591 S \* 1/2001 Abston et al. .... D14/341

D458,264 S \* 6/2002 MacGregor ..... D14/426  
D462,357 S \* 9/2002 Jenkins ..... D14/426  
D467,578 S \* 12/2002 Ichijima et al. .... D14/218  
D473,872 S \* 4/2003 Ausems et al. .... D14/420  
D496,366 S \* 9/2004 Croley et al. .... D14/429  
D505,422 S \* 5/2005 Kakizaki et al. .... D14/347  
2002/0193082 A1 \* 12/2002 Uemura et al. .... 455/90

\* cited by examiner

*Primary Examiner*—Alan P. Douglas

*Assistant Examiner*—Angela J. Lee

(74) *Attorney, Agent, or Firm*—Fay Kaplun & Marcin, LLP

(57) **CLAIM**

The ornamental design for a bottom portion housing for a mobile device, as shown and described.

**DESCRIPTION**

FIG. 1 is a first side view of an ornamental design of an embodiment of a bottom portion housing for a mobile device showing our new design;

FIG. 2 is a second side view thereof;

FIG. 3 is a third view thereof;

FIG. 4 is a fourth view thereof;

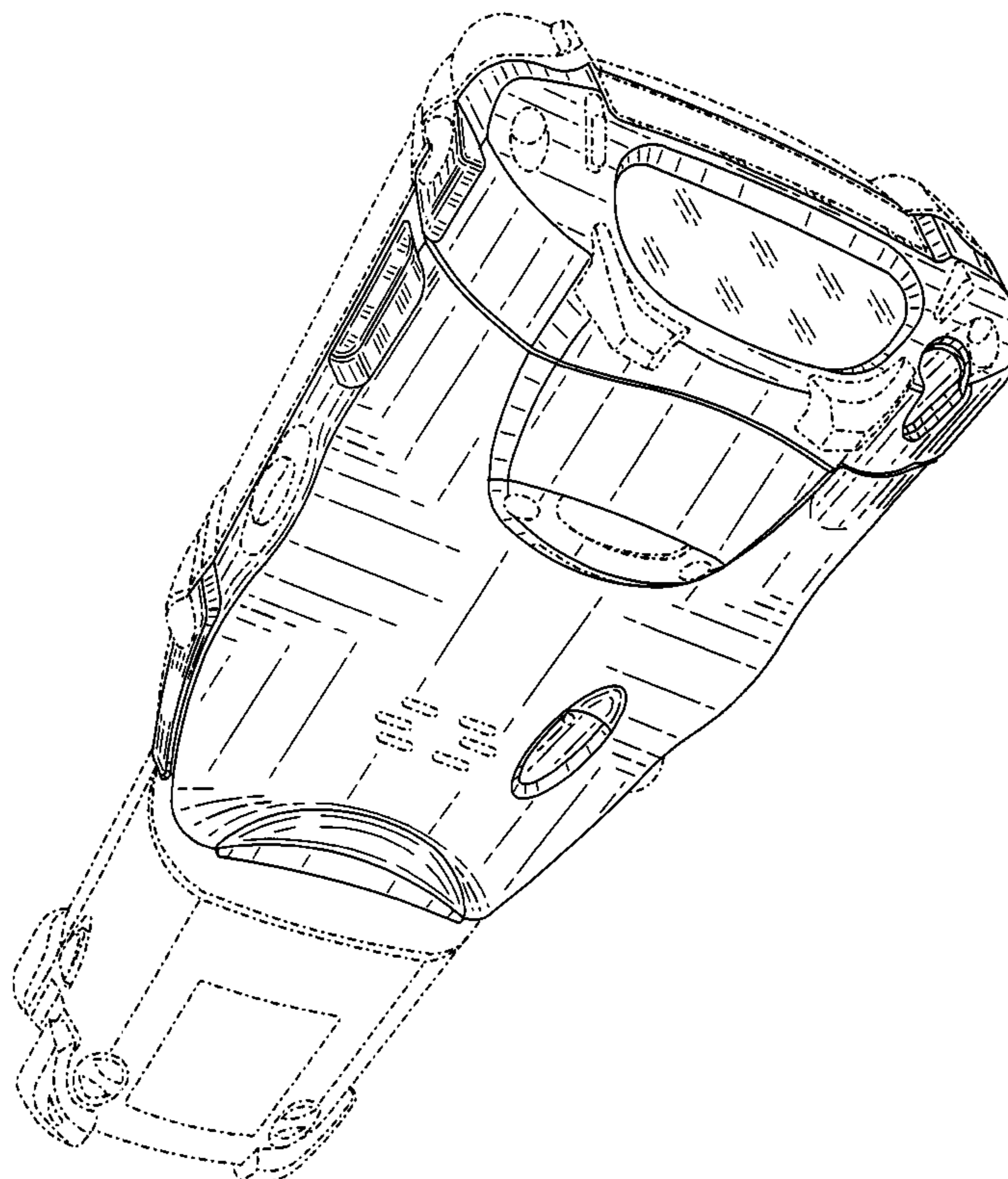
FIG. 5 is a fifth side view thereof;

FIG. 6 is a sixth side view thereof; and,

FIG. 7 is an isometric view thereof.

The broken lines shown in FIGS. 1-7 are included for illustrative purposes only and form no part of the claimed design.

**1 Claim, 6 Drawing Sheets**



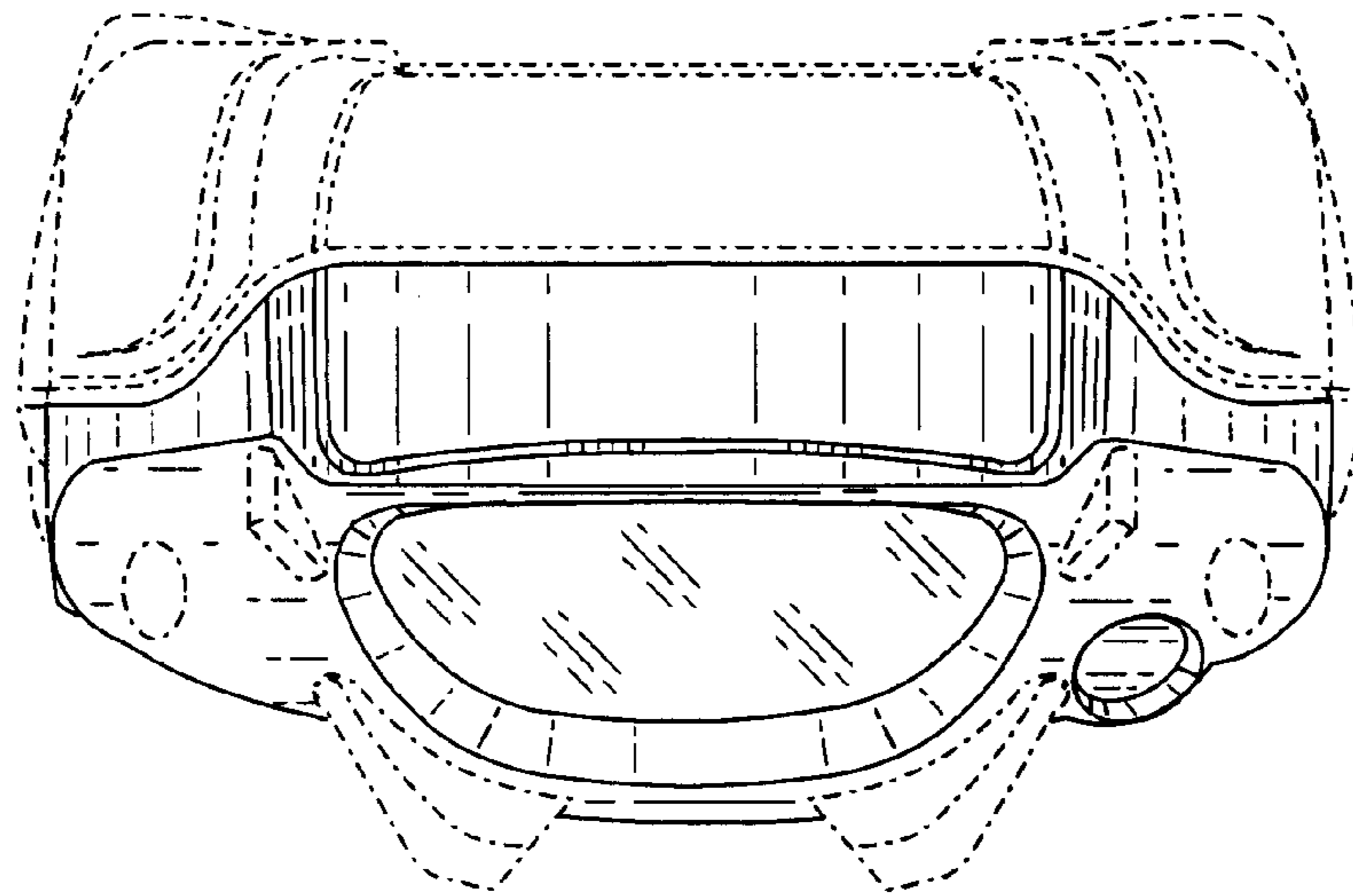


FIG. 1

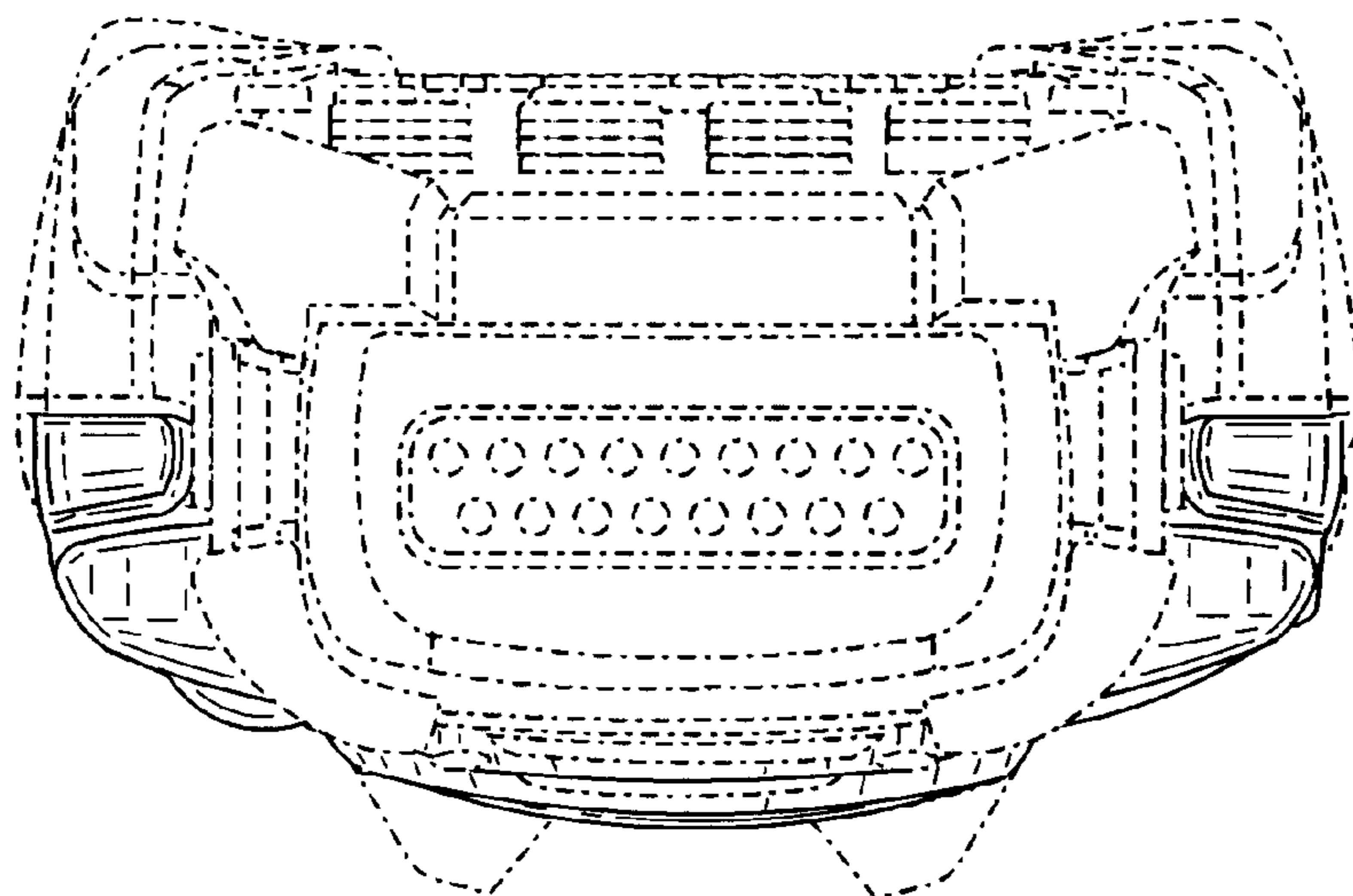


FIG. 2

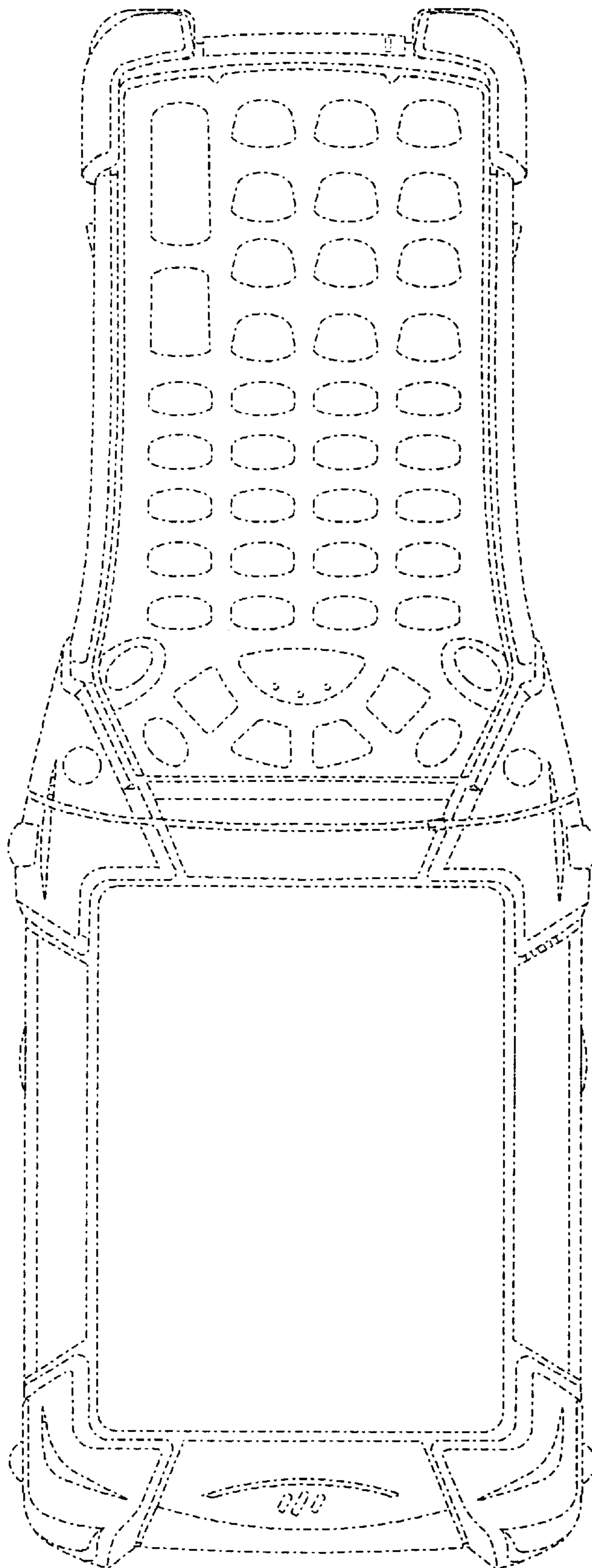


FIG. 3

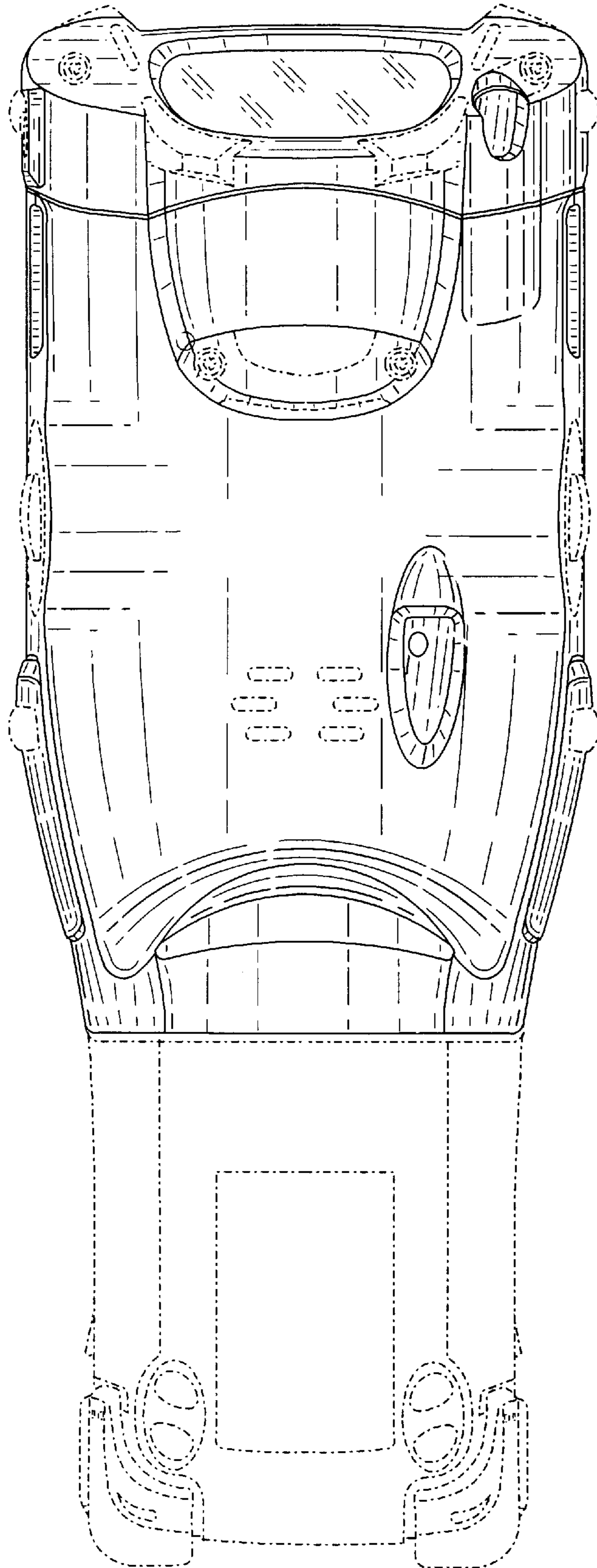


FIG. 4

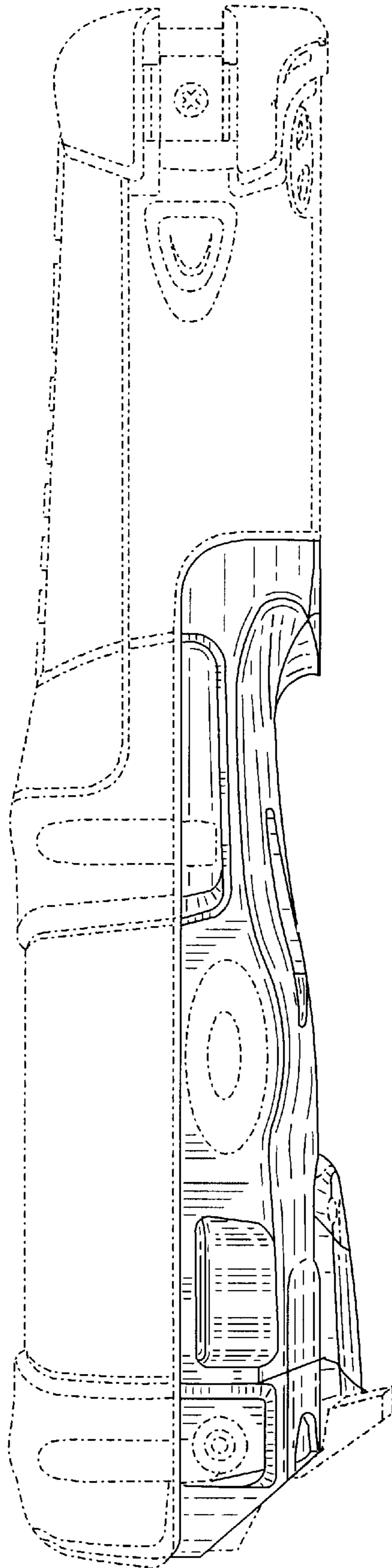


FIG. 5

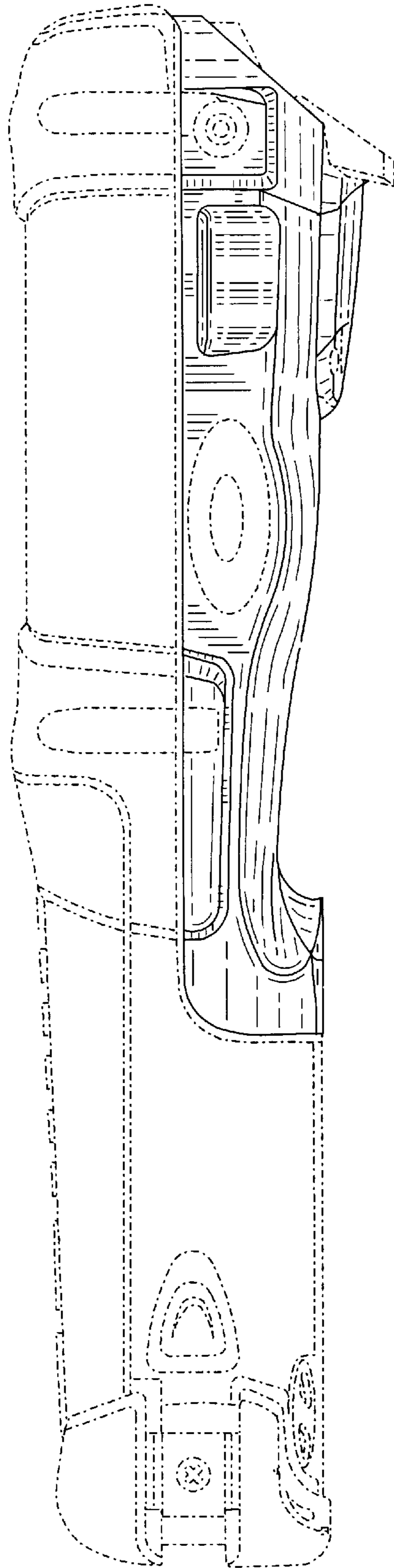


FIG. 6

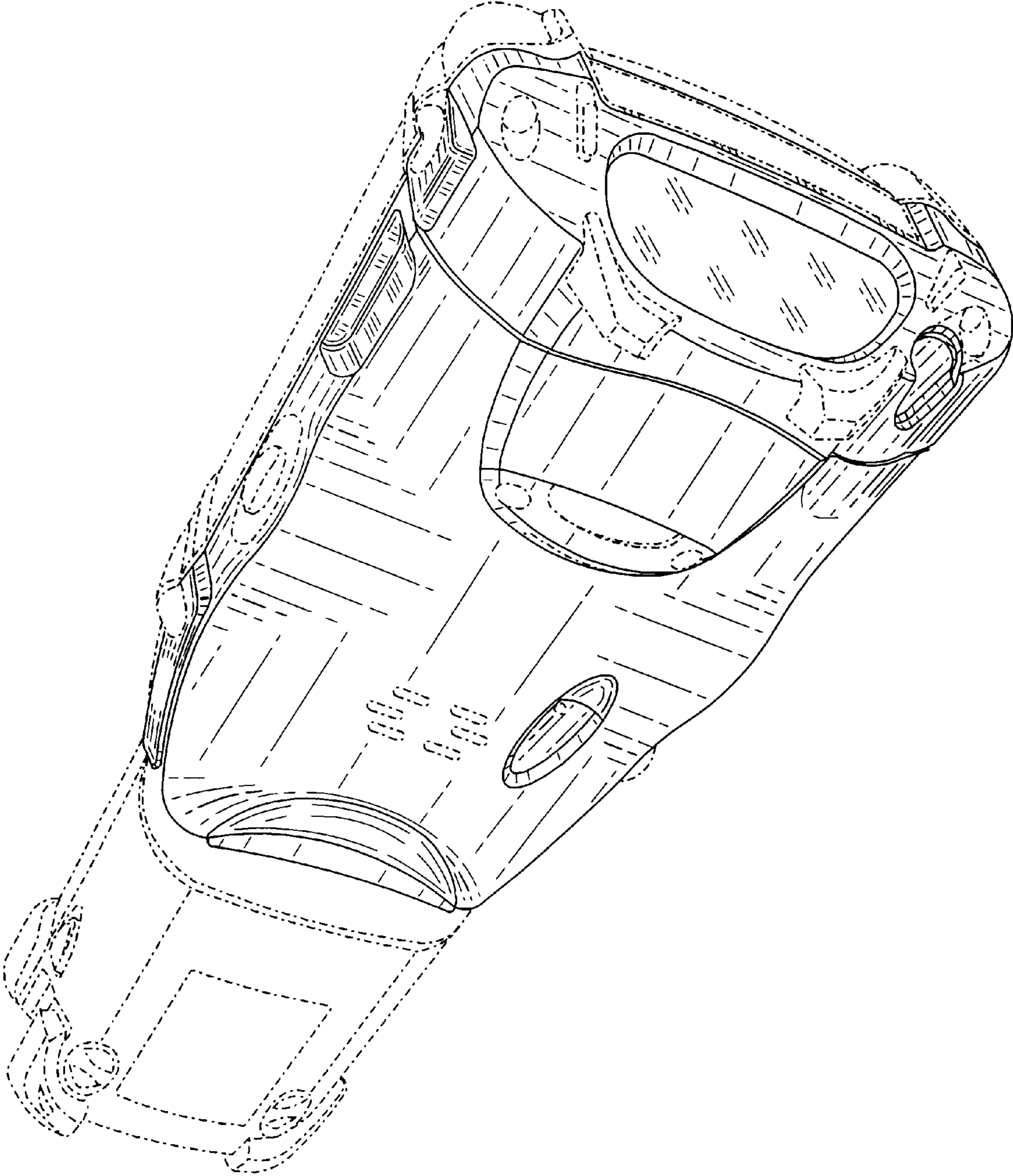


FIG. 7