

US00D542795S

(12) **United States Design Patent** (10) **Patent No.:** **US D542,795 S**
Sukenari et al. (45) **Date of Patent:** **** May 15, 2007**

(54) **IMAGE SCANNER**

(75) Inventors: **Kazuhiro Sukenari**, Mizuho-ku (JP);
Hiroshi Yamakose, Gifu (JP); **Tetsuro Kato**, Mizuho-ku (JP)

(73) Assignee: **Elmo Company, Limited** (JP)

(**) Term: **14 Years**

(21) Appl. No.: **29/229,898**

(22) Filed: **May 13, 2005**

(30) **Foreign Application Priority Data**

Nov. 17, 2004 (JP) 2004-035085

(51) **LOC (8) Cl.** **14-02**

(52) **U.S. Cl.** **D14/423; D16/232**

(58) **Field of Classification Search** 353/115,
353/119, 122, DIG. 3, DIG. 4; D14/420-25;
396/155; D16/232; 358/474-98; 348/370,
348/373, 376

See application file for complete search history.

(56) **References Cited**

U.S. PATENT DOCUMENTS

D358,377 S	*	5/1995	Hasegawa	D14/423
D376,139 S	*	12/1996	Hasegawa	D14/423
D423,472 S	*	4/2000	Adachi	D14/423
D424,091 S	*	5/2000	Oh	D16/232
6,065,839 A	*	5/2000	Miyata et al.	353/122
D433,683 S	*	11/2000	Adachi et al.	D14/423
D454,351 S	*	3/2002	Adachi et al.	D14/423
D454,570 S	*	3/2002	Adachi et al.	D14/423
2002/0106137 A1	*	8/2002	Chen et al.	382/321

* cited by examiner

Primary Examiner—M. H. Tung
Assistant Examiner—Susan Moon Lee

(74) *Attorney, Agent, or Firm*—Ostrolenk, Faber, Gerb & Soffen, LLP

(57) **CLAIM**

We claim the ornamental design for an image scanner, as shown and described.

DESCRIPTION

FIG. 1 is a perspective view of an image scanner, embodying our new design, shown without the slide film stage;

FIG. 2 is a front view thereof;

FIG. 3 is a top plan view thereof;

FIG. 4 is a right side view thereof;

FIG. 5 is a left side view thereof;

FIG. 6 is a rear view thereof;

FIG. 7 is a bottom side view thereof;

FIG. 8 is a reference perspective view of FIG. 1 with the arm folded to be stored;

FIG. 9 is a reference perspective view of FIG. 1 with the camera head facing the front of the table;

FIG. 10 is a reference perspective view of FIG. 1 with the camera head facing the rear of the table;

FIG. 11 is a reference perspective view of FIG. 1 with the cover at the rear end of the table top open;

FIG. 12 is a reference right side view of FIG. 1 with the cover at the rear end of the table top open;

FIG. 13 is a reference rear view of FIG. 1 with the cover at the rear end of the table top open;

FIG. 14 is a reference perspective view of the image scanner of FIG. 1 shown with the slide film stage placed;

FIG. 15 is a reference front view thereof;

FIG. 16 is a reference right side view thereof;

FIG. 17 is a reference rear view thereof;

FIG. 18 is a reference top plan view thereof; and,

FIG. 19 is an enlarged reference perspective view showing the slide film stage alone.

1 Claim, 19 Drawing Sheets

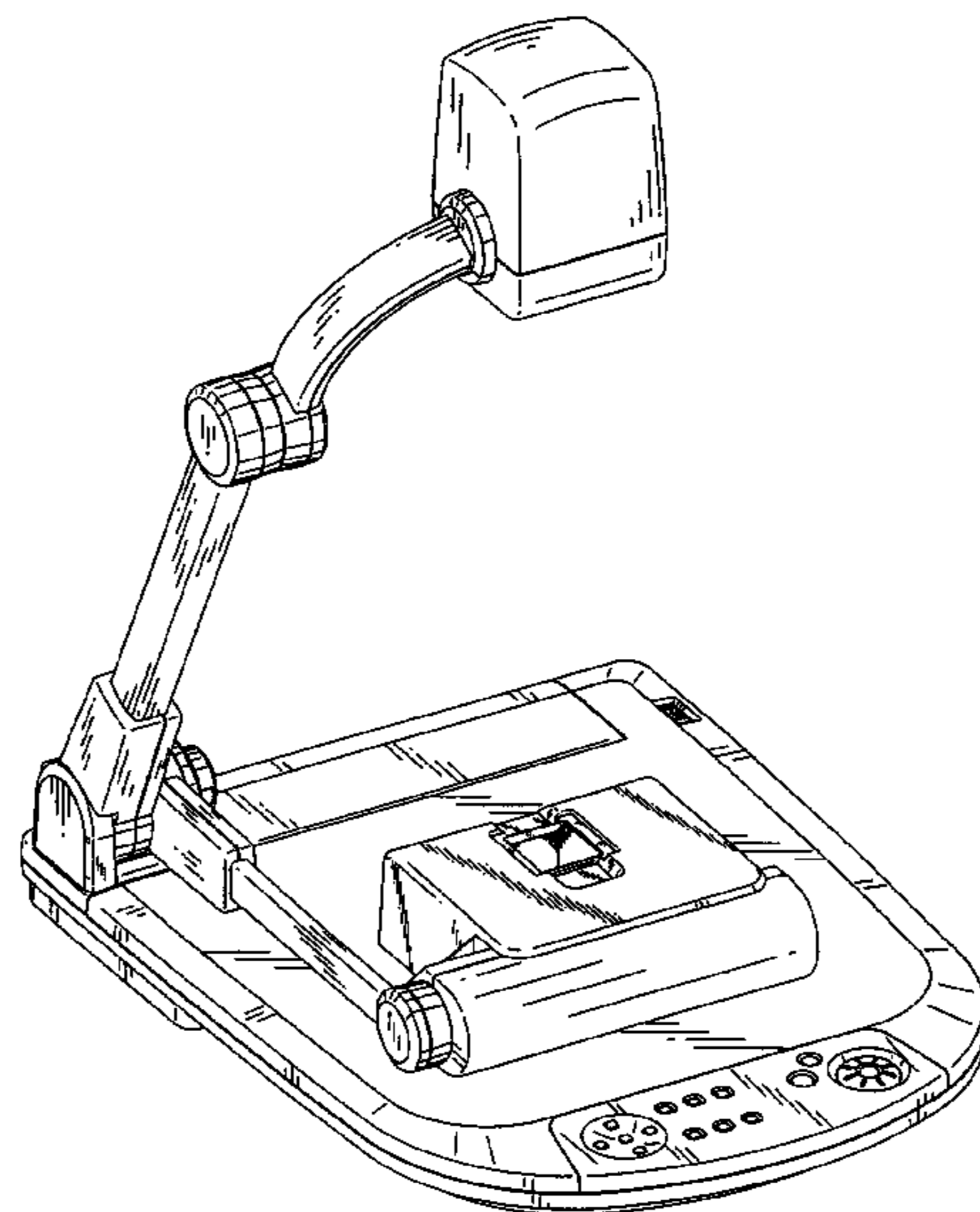


Fig.1

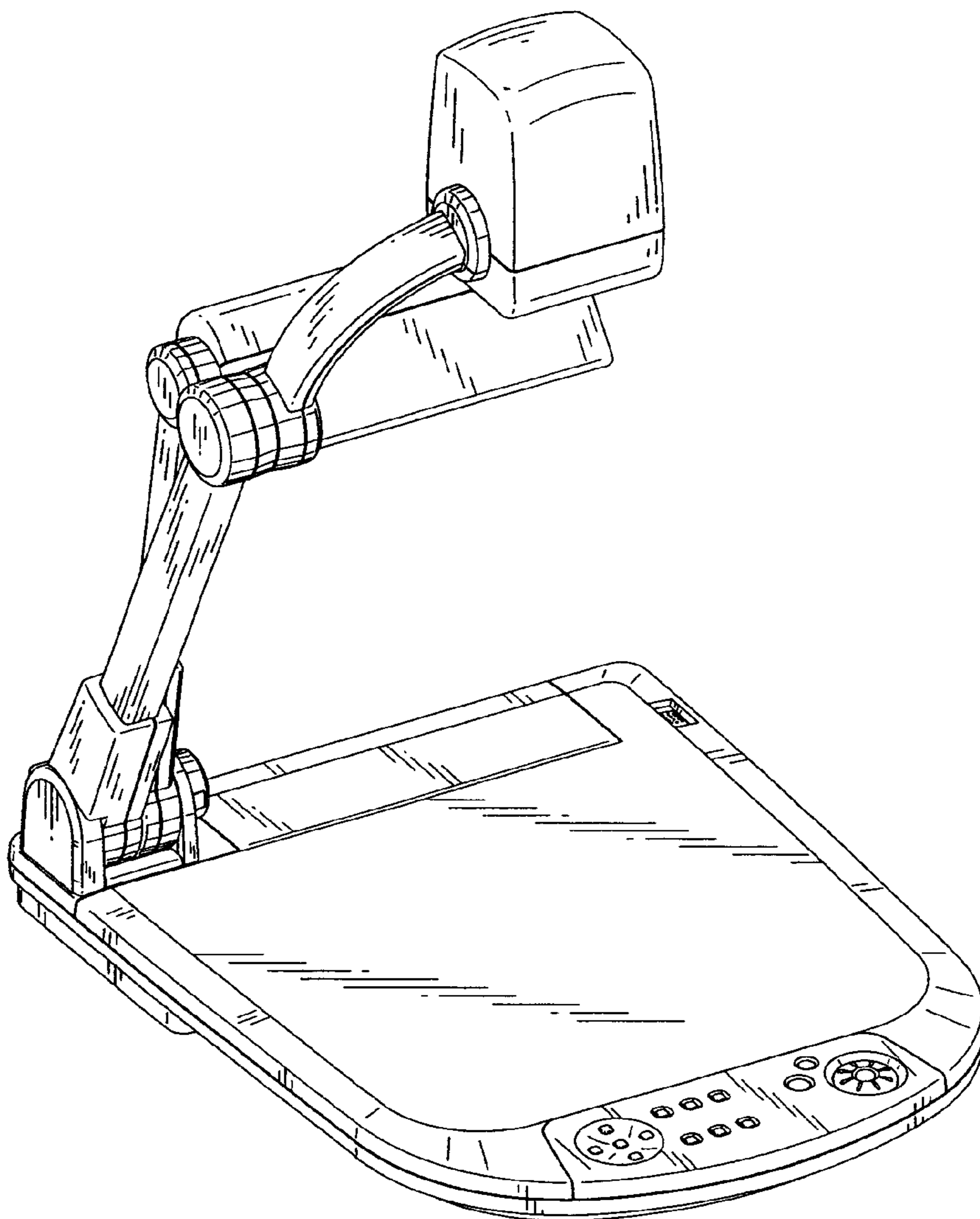


Fig.2

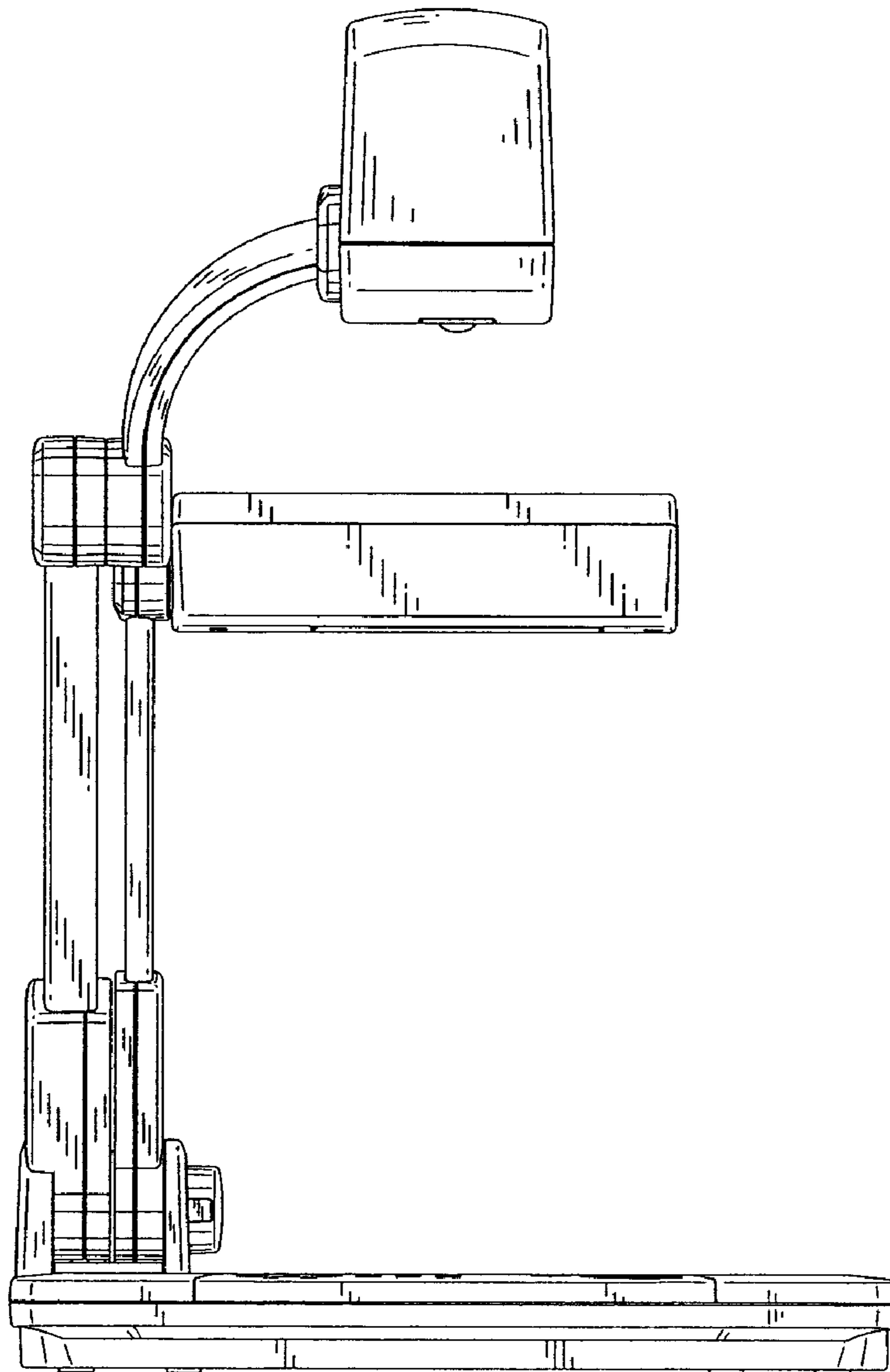


Fig.3

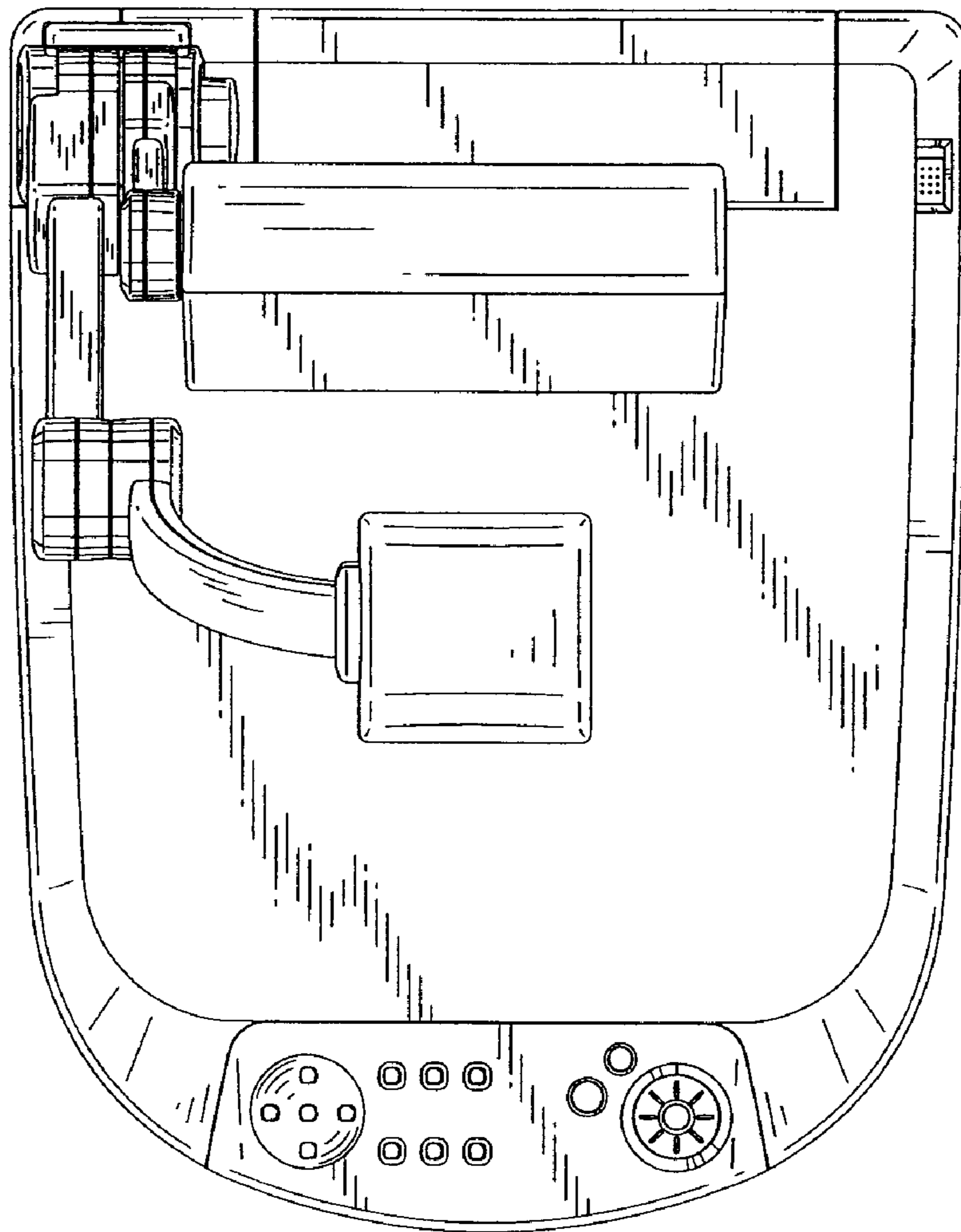


Fig.4

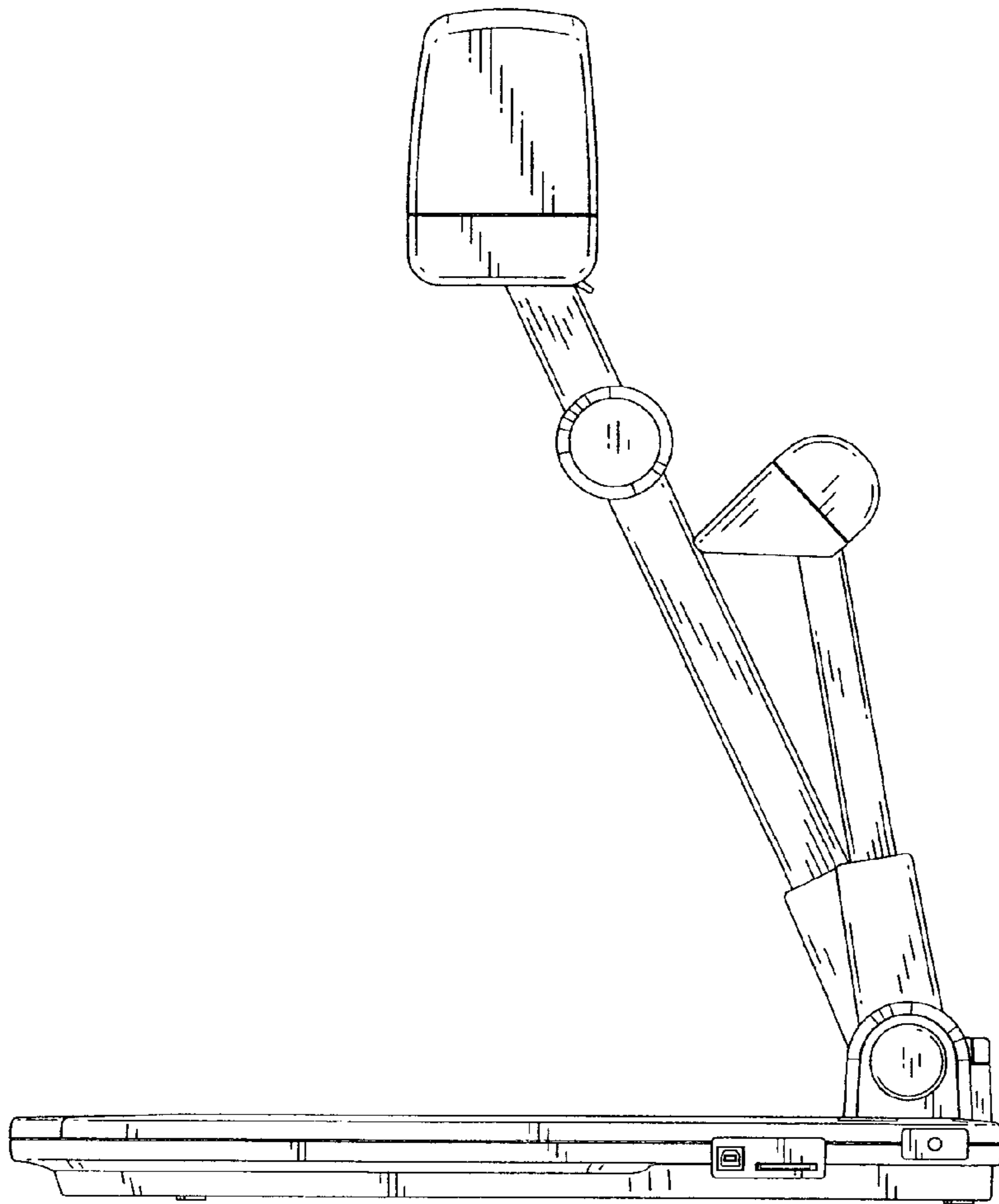


Fig.5

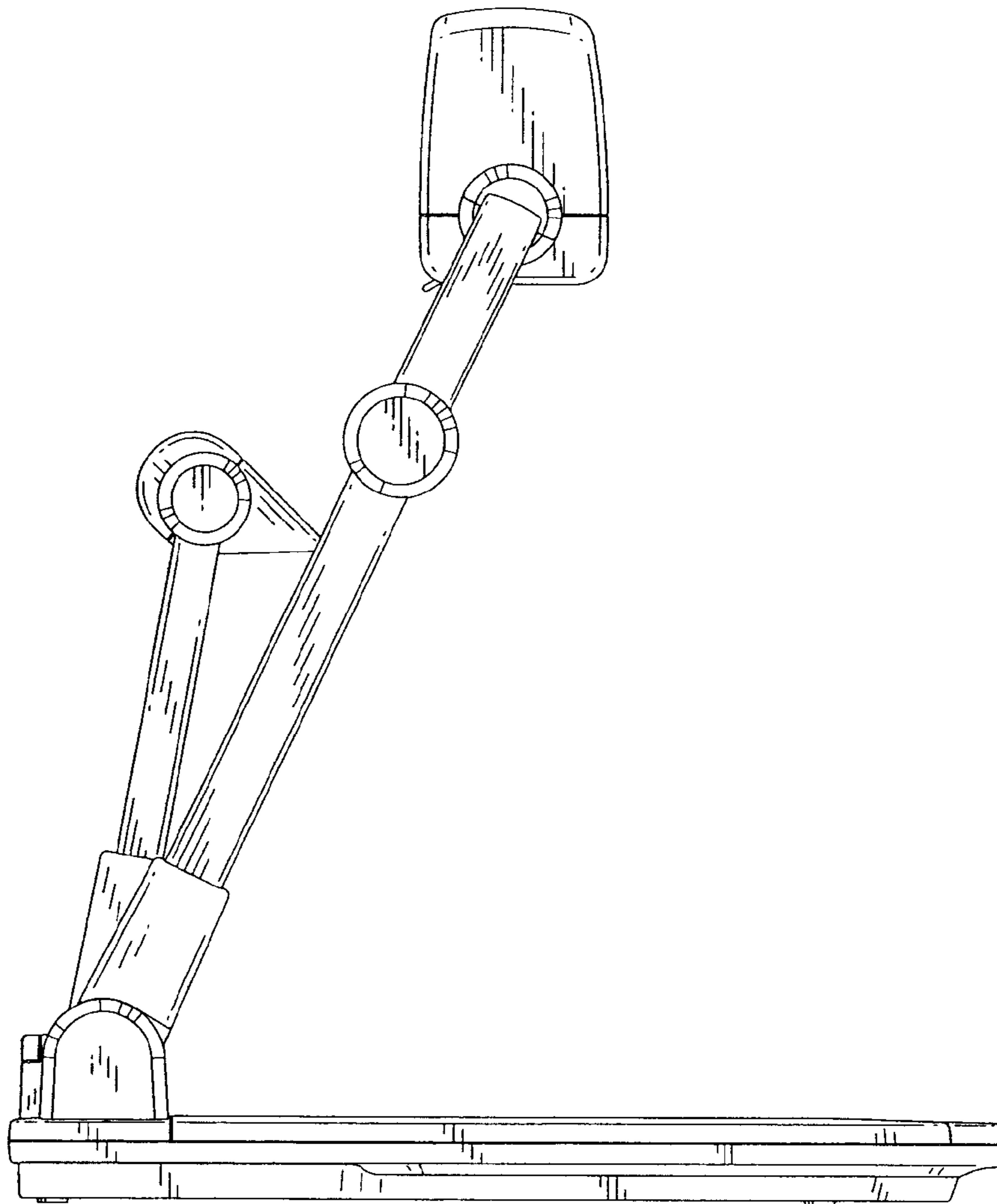


Fig.6

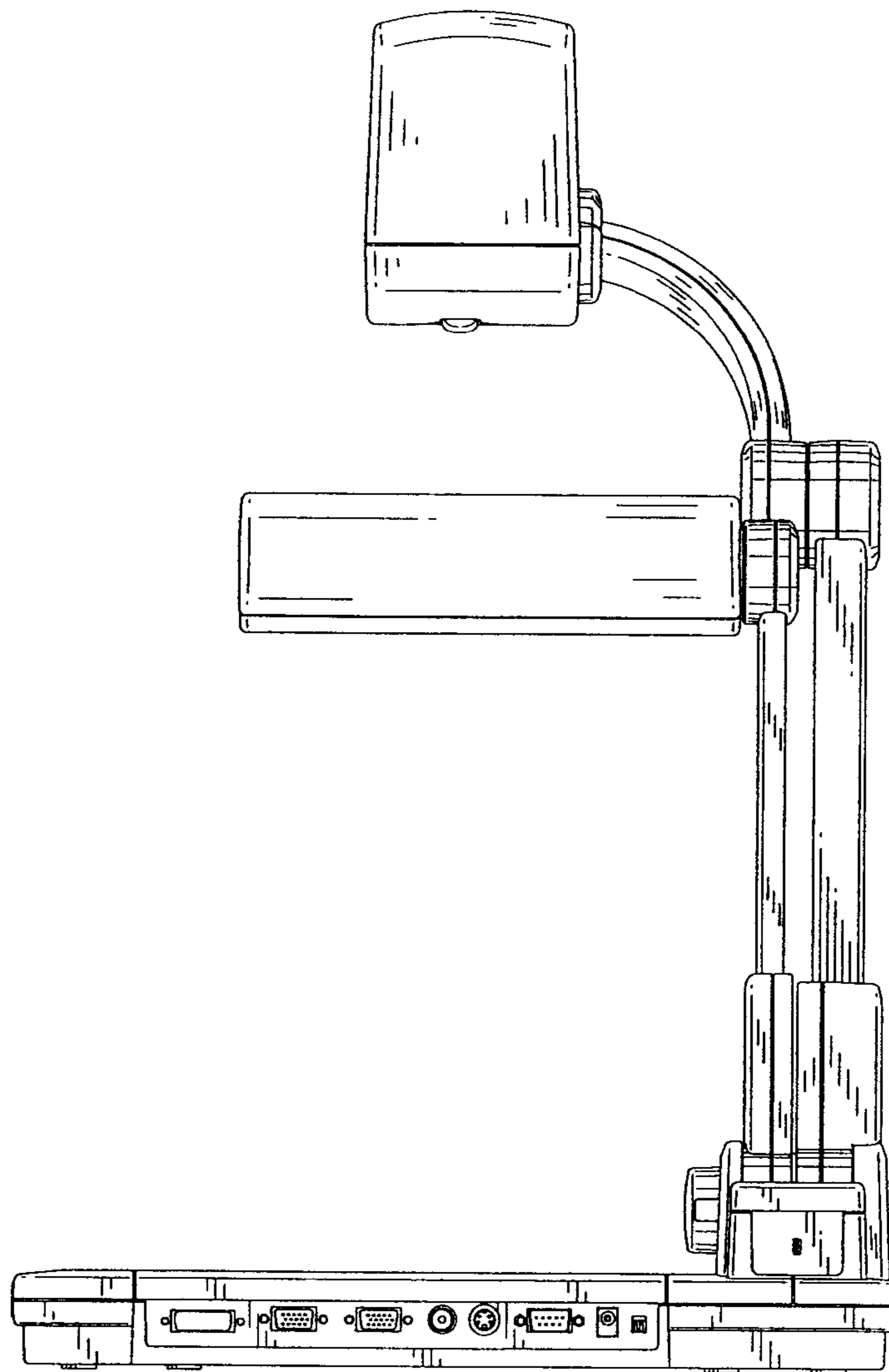


Fig.7

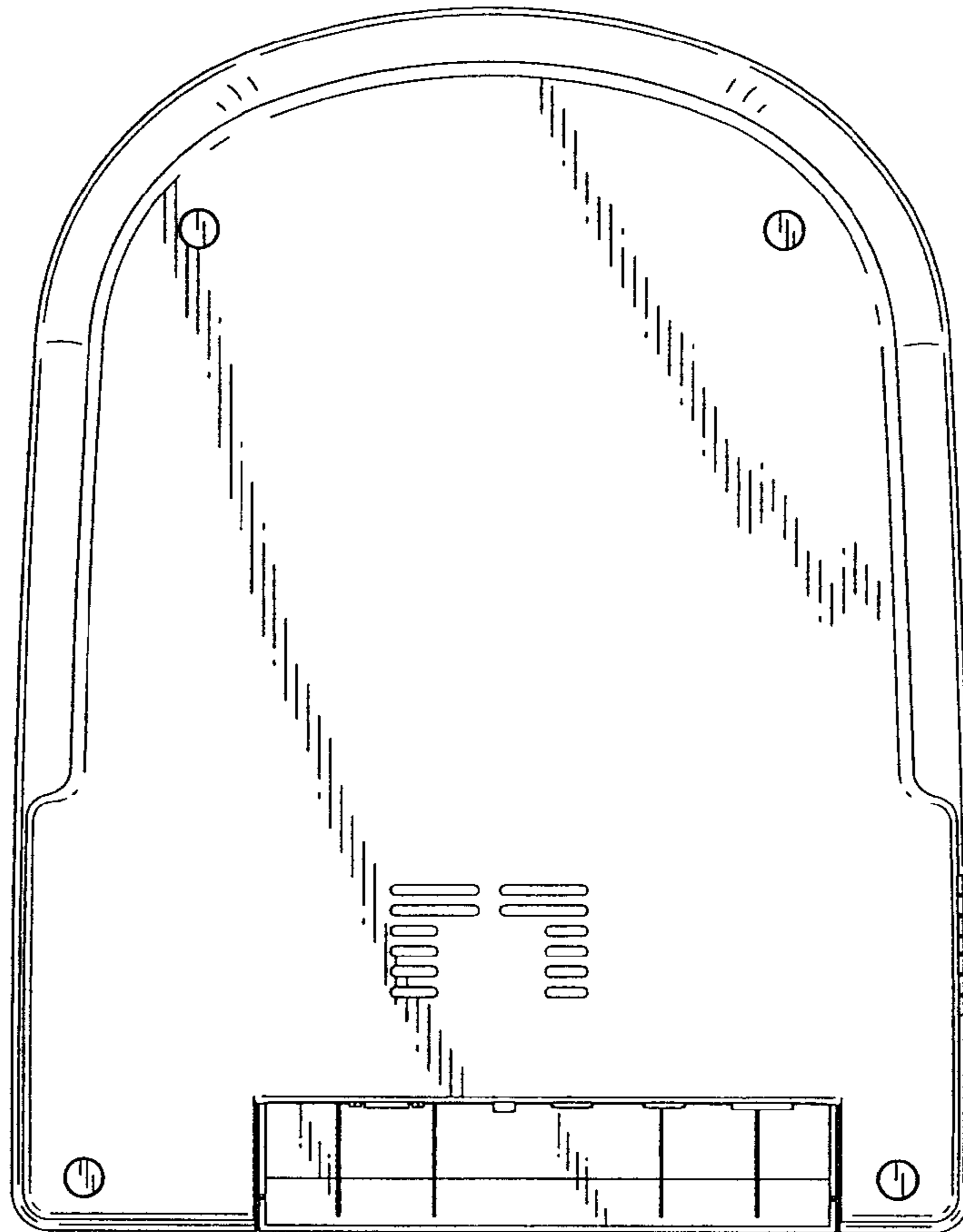


Fig.8

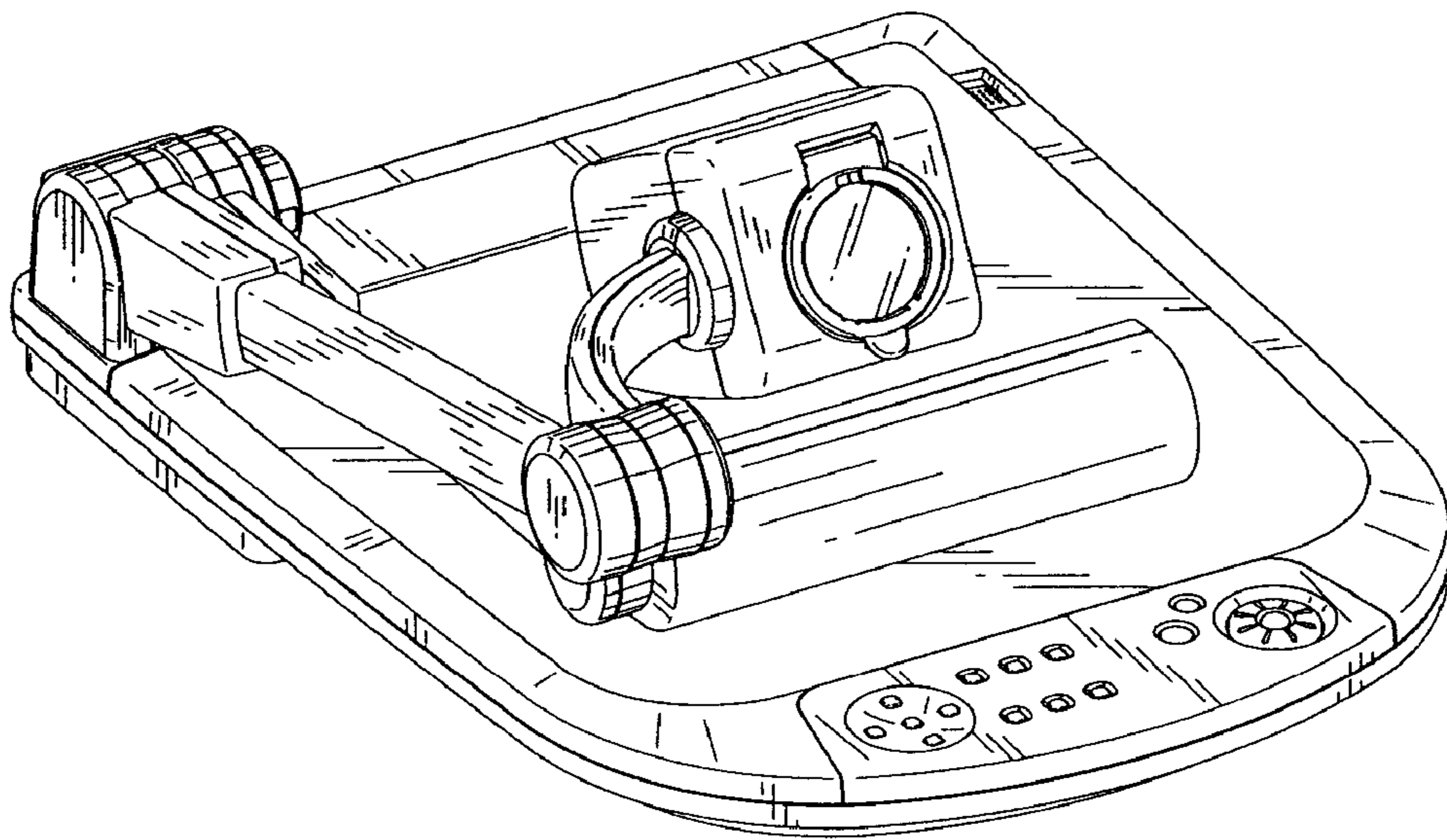


Fig.9

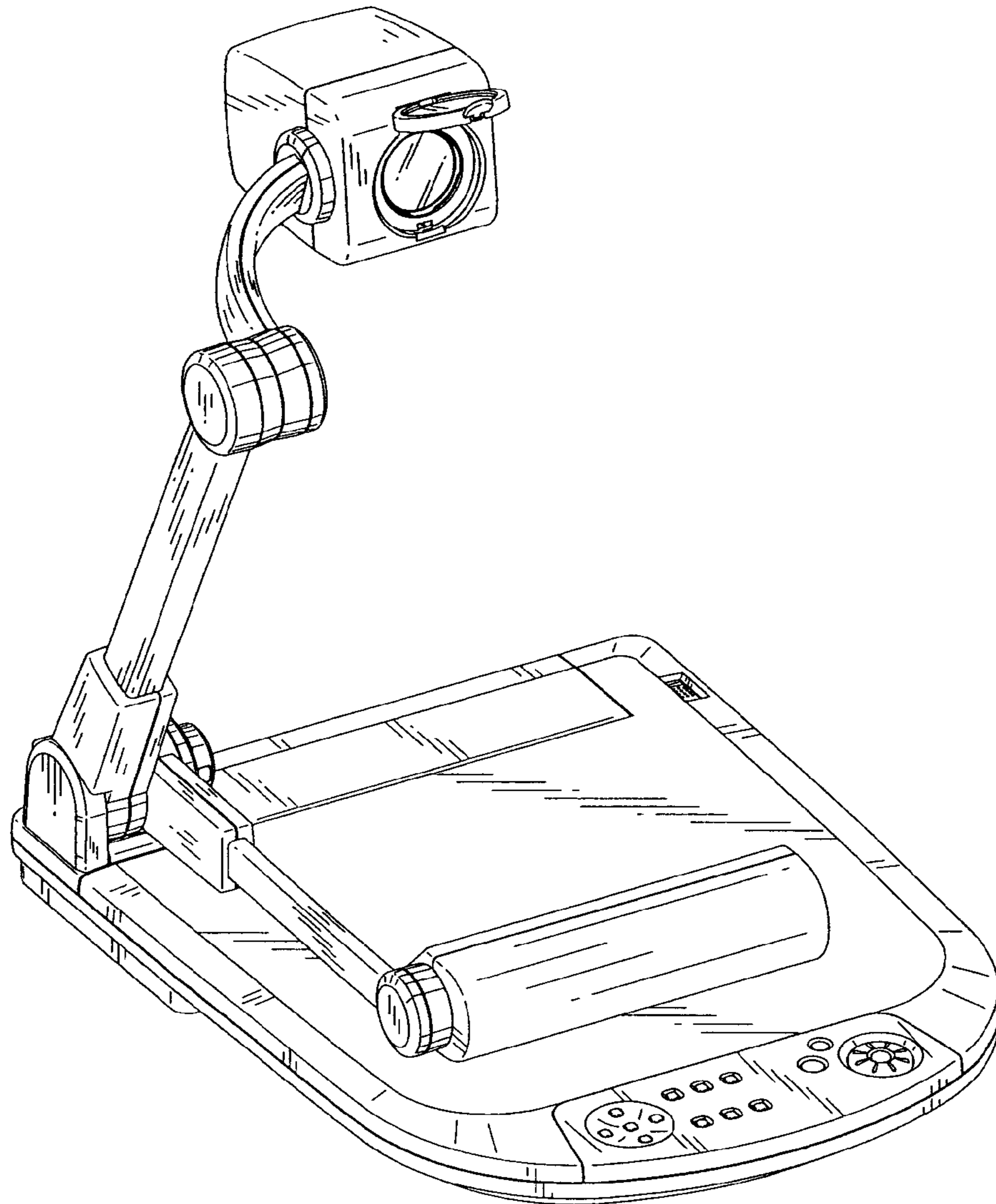


Fig.10

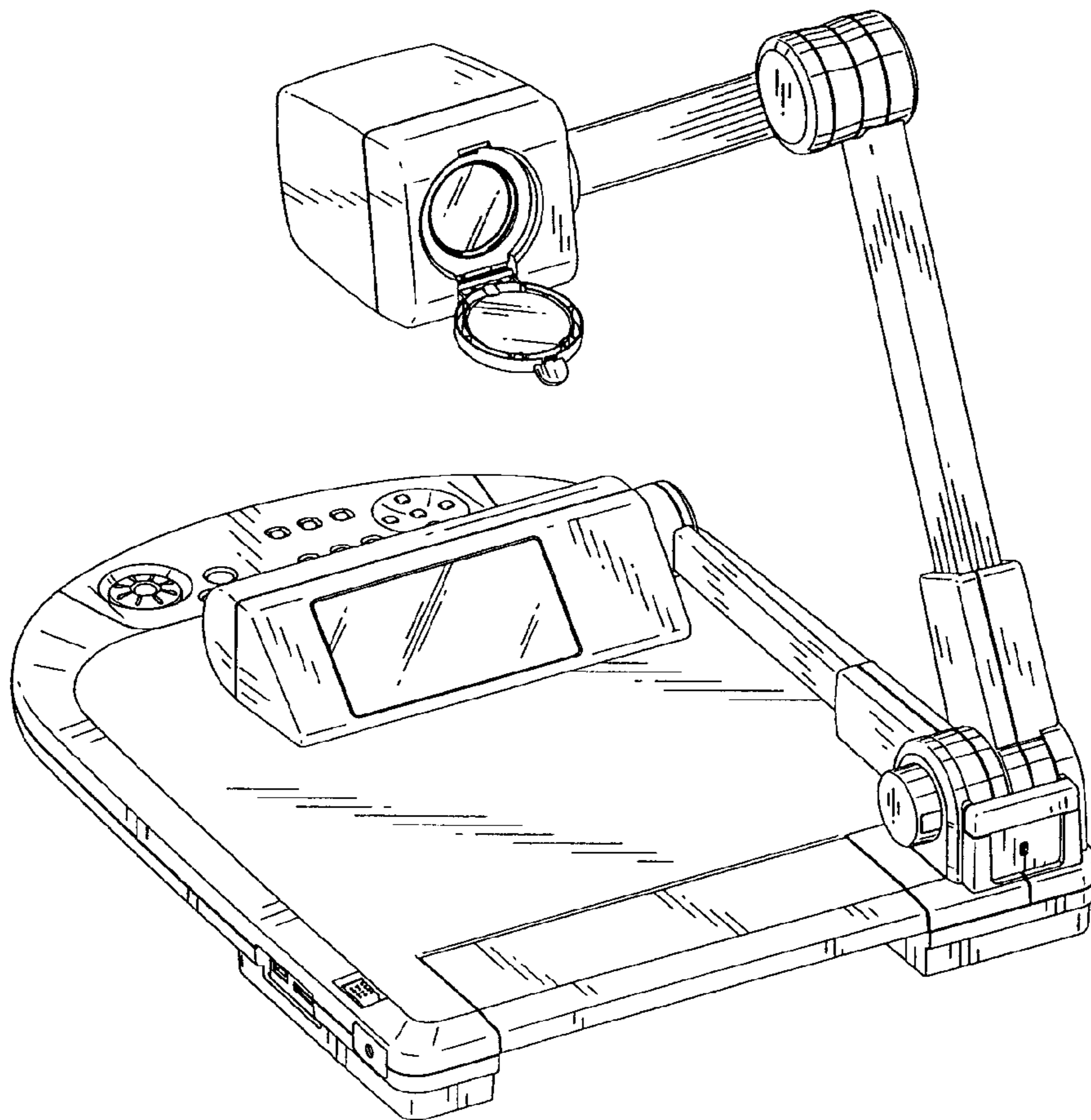


Fig.11

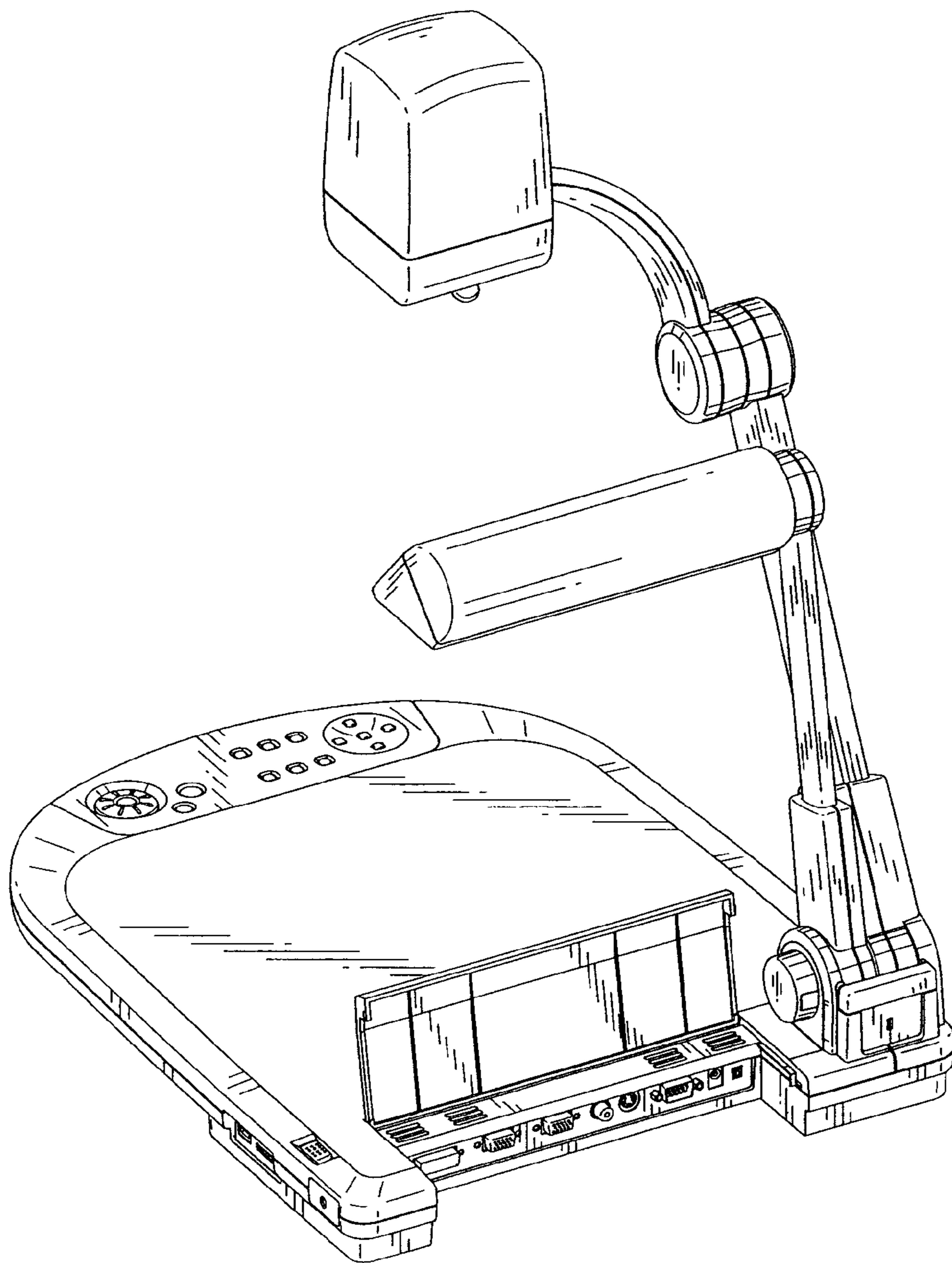


Fig.12

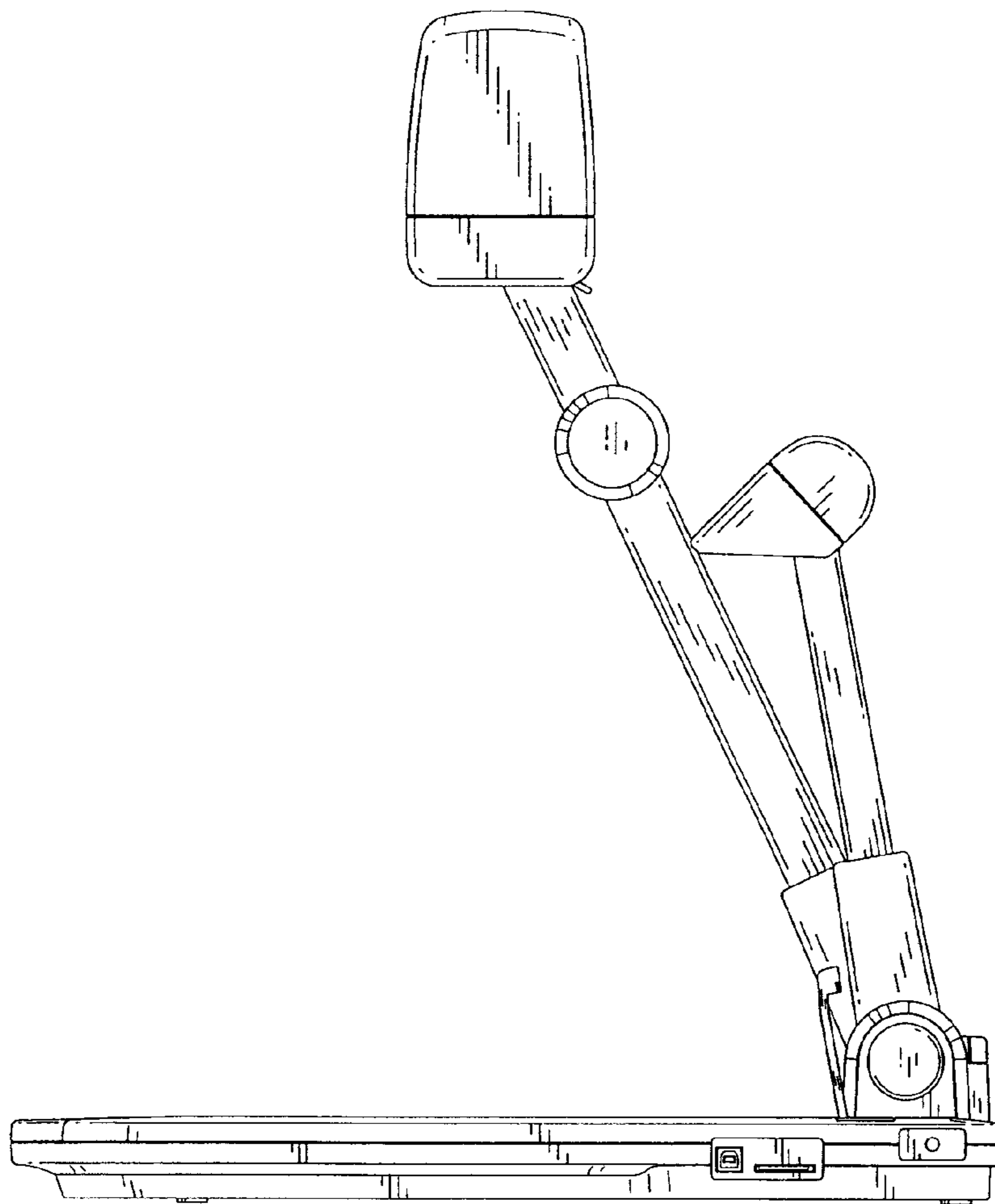


Fig.13

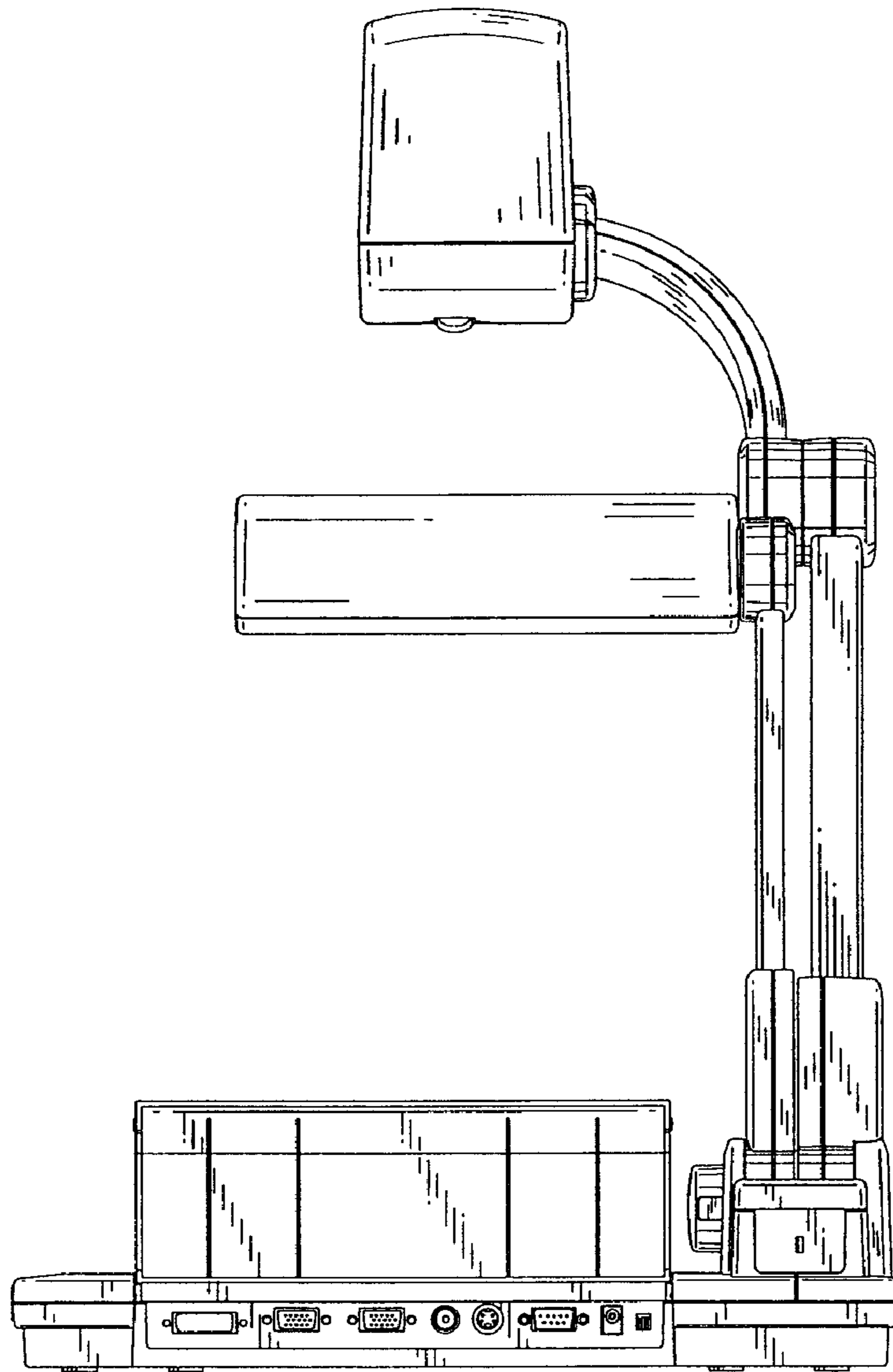


Fig.14

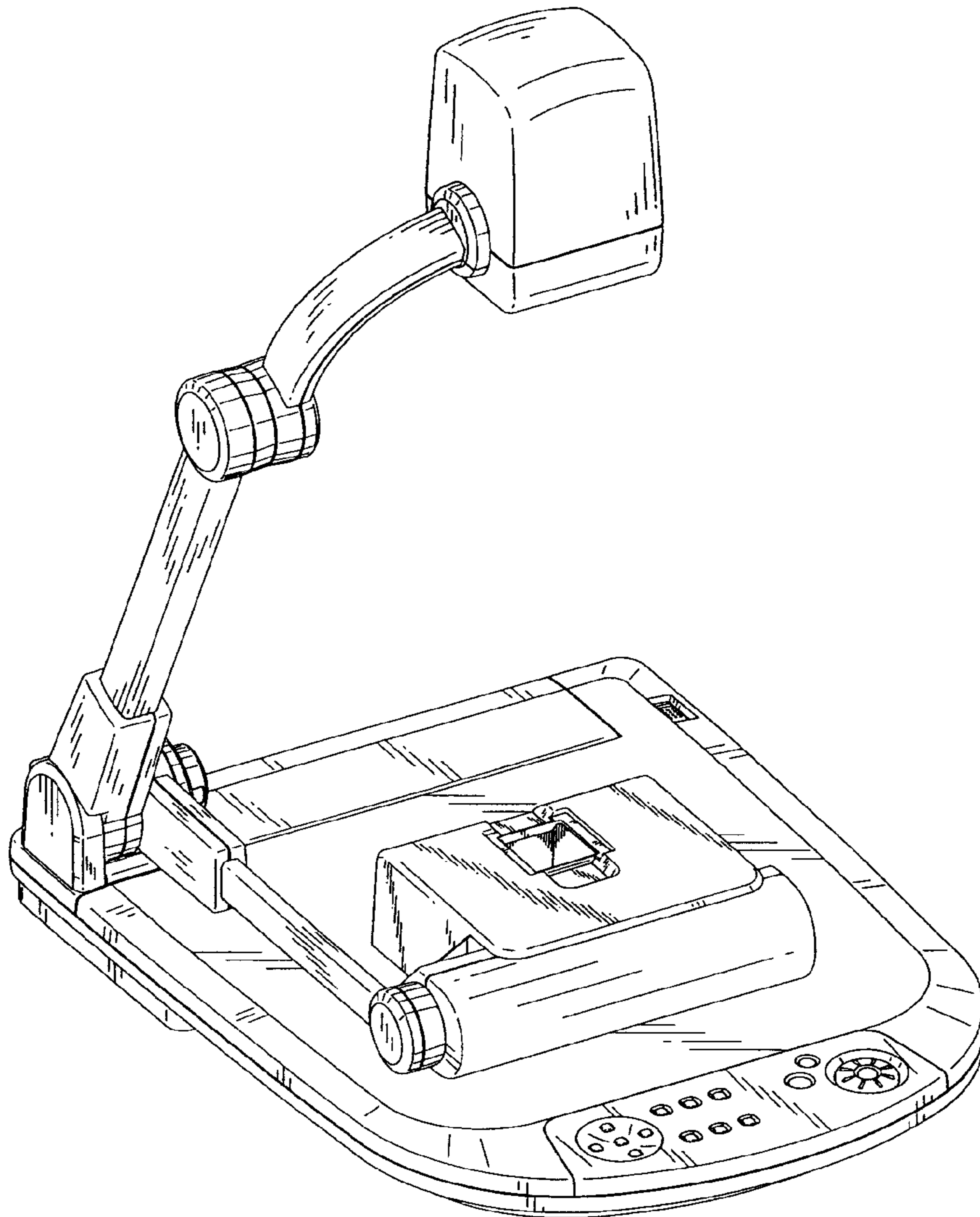


Fig.15

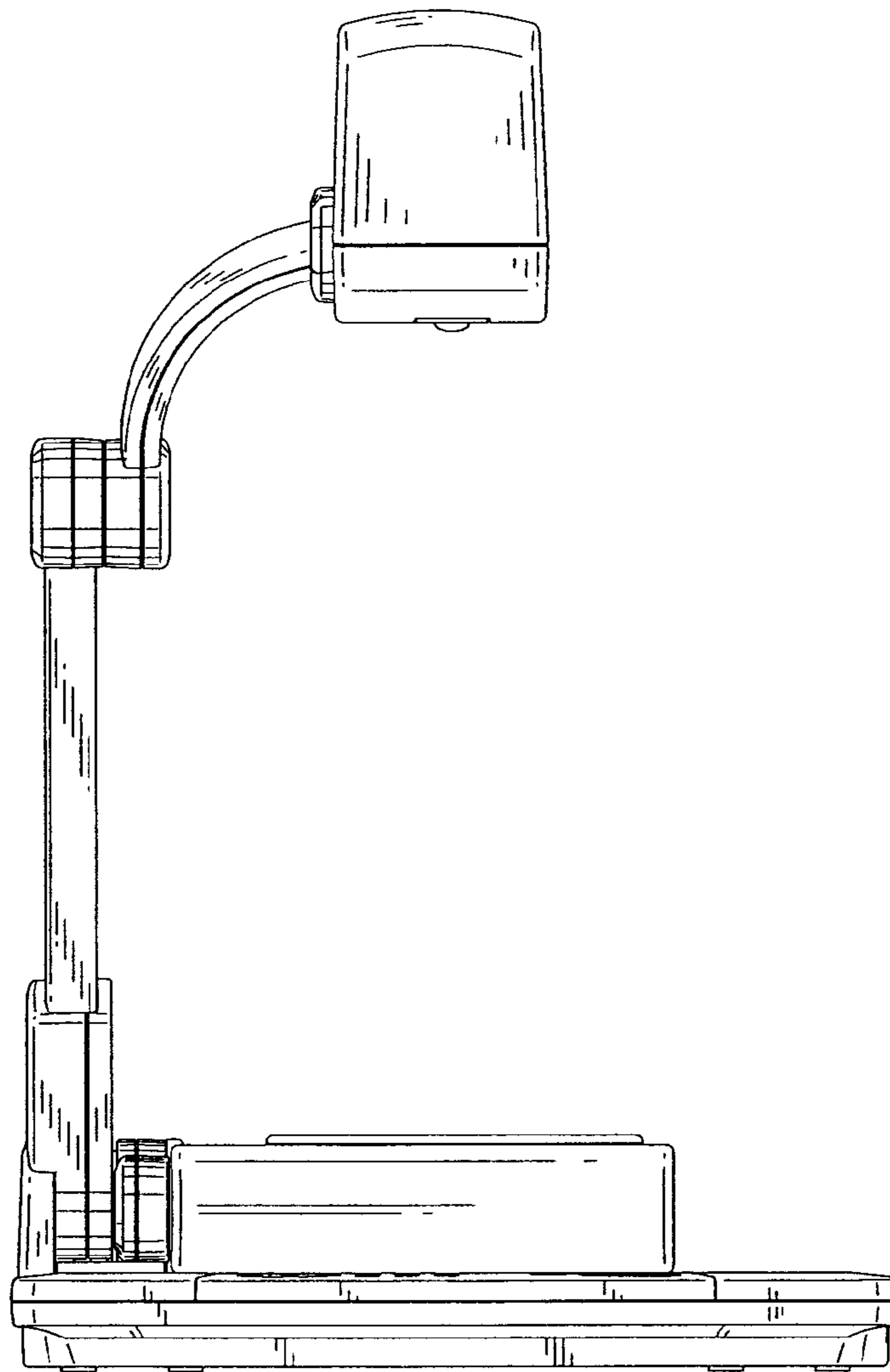


Fig.16

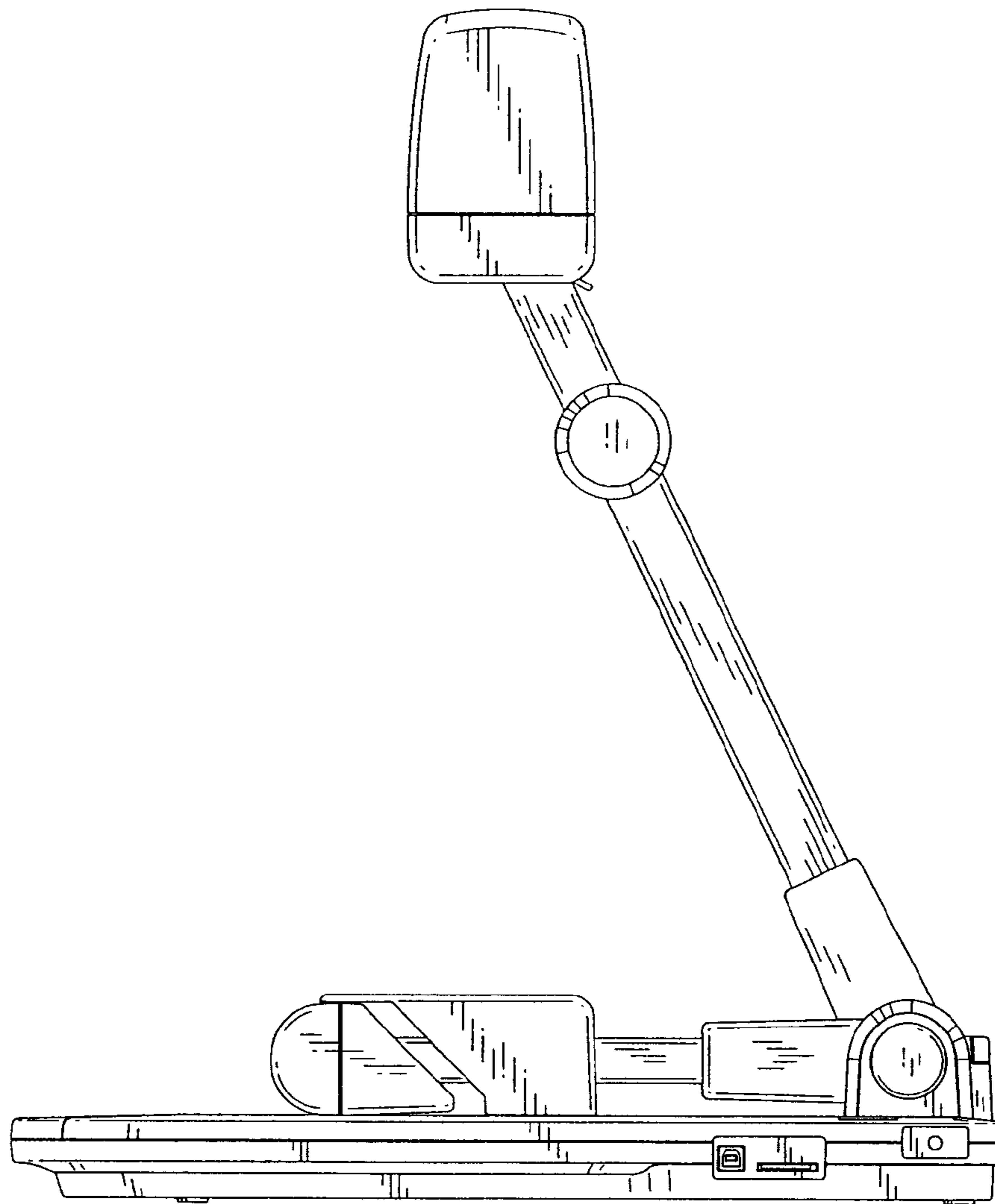


Fig.17

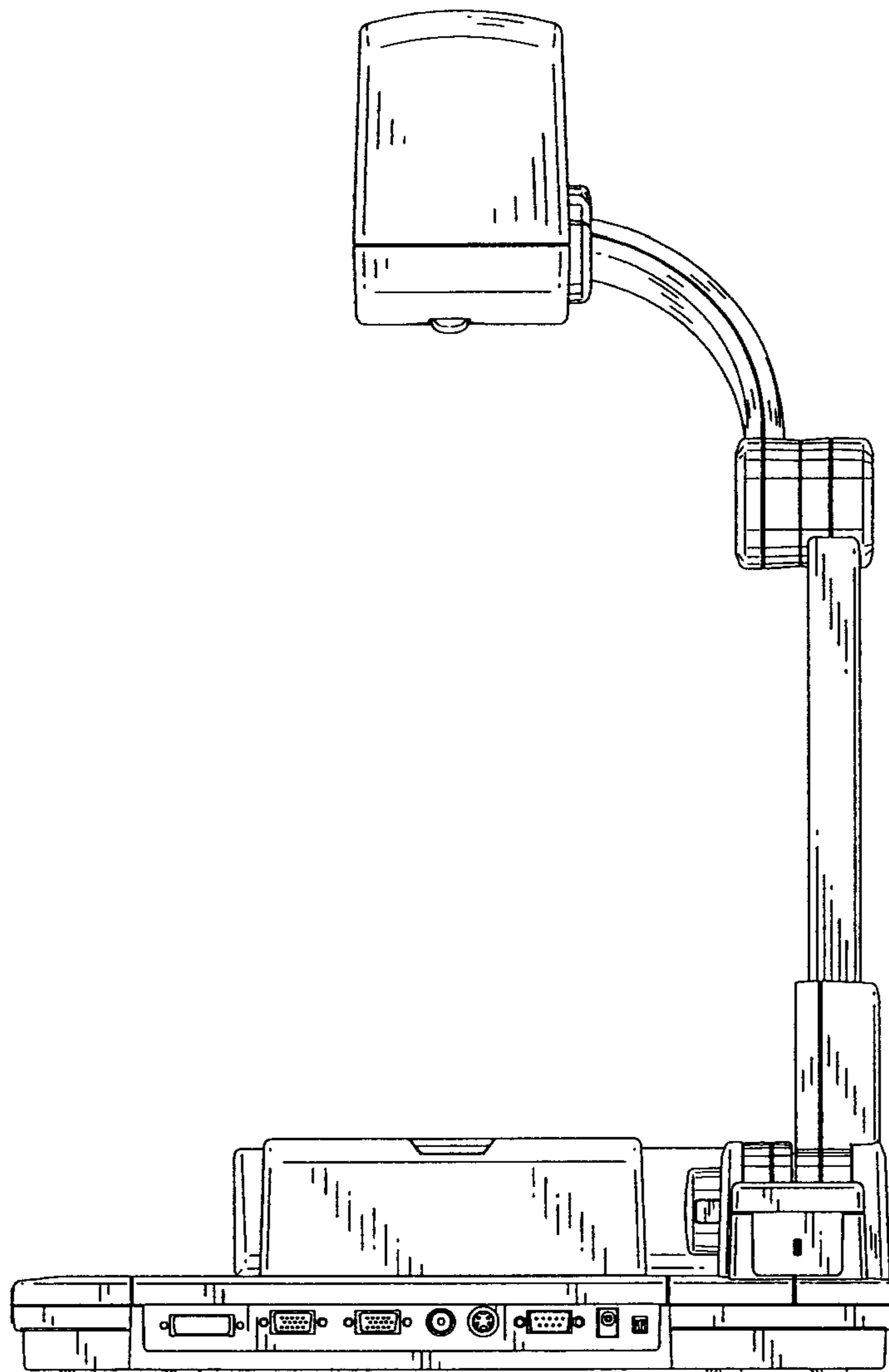


Fig.18

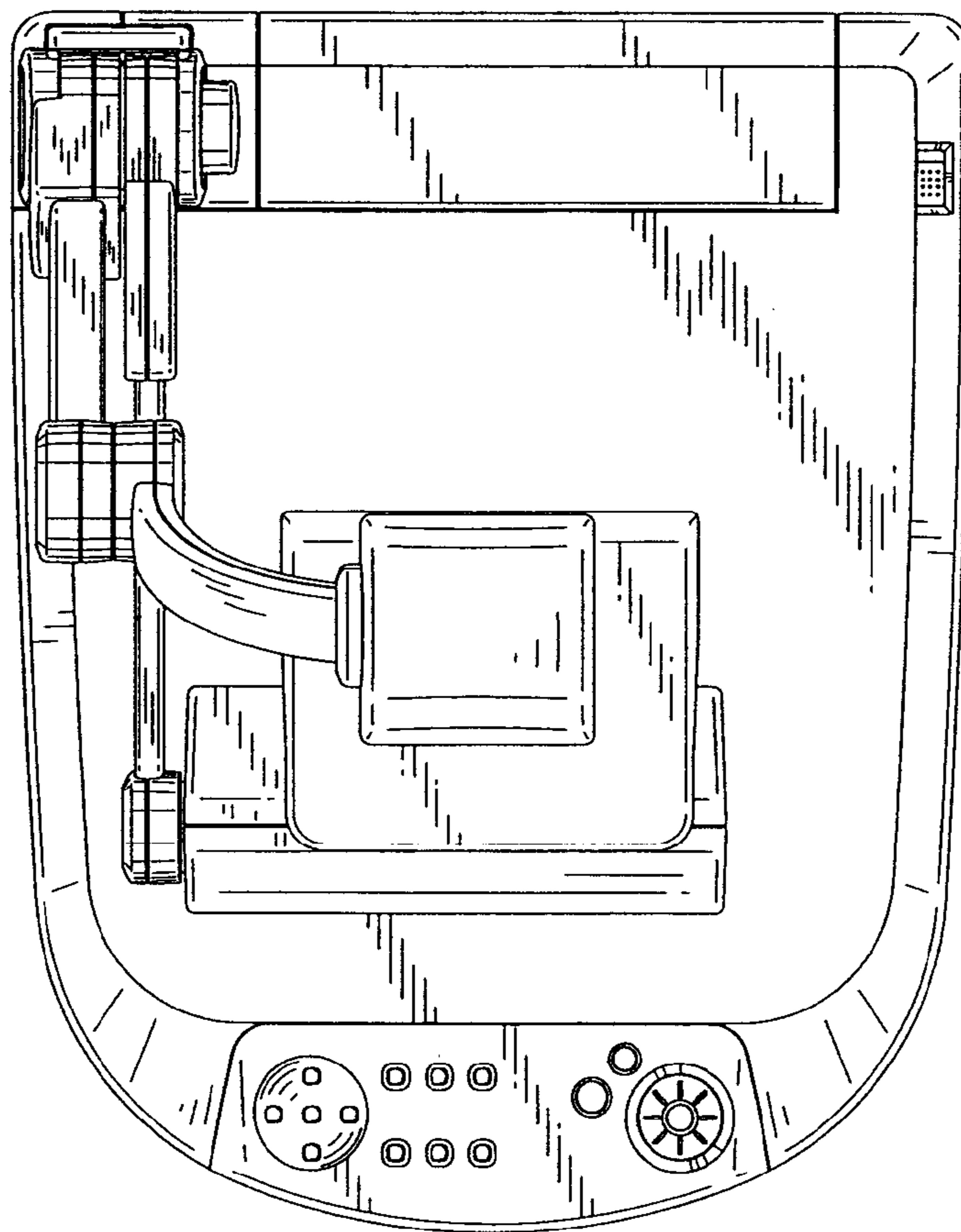


Fig.19

