



US00D542794S

(12) **United States Design Patent**
Chen et al.

(10) **Patent No.:** **US D542,794 S**

(45) **Date of Patent:** **** May 15, 2007**

(54) **THIN SCANNING AND PRINTING DEVICE**

(75) Inventors: **Ching-Hui Chen**, Sindian (TW);
Yan-Liang Guo, Taipei (TW)

(73) Assignee: **Lite-On Technology Corporation**,
Taipei (TW)

(**) Term: **14 Years**

(21) Appl. No.: **29/237,662**

(22) Filed: **Sep. 6, 2005**

(51) **LOC (8) Cl.** **14-02**

(52) **U.S. Cl.** **D14/422; D18/50**

(58) **Field of Classification Search** 400/691-93,
400/613-613.4, 690.1-690.4, 605, 625, 680,
400/188, 642, 88; D14/420-24, 462-70;
D18/50, 55, 49; 346/134; 347/104, 108; 271/10.01,
271/126, 9.01, 145, 3.14, 209, 161, 188;
358/486, 513, 1.15, 1.14, 471-475, 494-97,
358/442, 452; 399/367, 107, 393, 405

See application file for complete search history.

(56) **References Cited**

U.S. PATENT DOCUMENTS

4,822,190	A	*	4/1989	Yokoi	400/613.3
5,028,935	A	*	7/1991	Warmack et al.	347/205
D338,230	S	*	8/1993	Pruitt et al.	D18/55
5,236,265	A	*	8/1993	Saito et al.	400/88
D339,159	S	*	9/1993	Pruitt et al.	D18/55
D343,637	S	*	1/1994	Umino et al.	D18/55
D344,754	S	*	3/1994	Parsey	D18/55
D352,055	S	*	11/1994	Girard	D18/50
5,387,043	A	*	2/1995	Fujioka et al.	400/691
D361,781	S	*	8/1995	Tsuchida et al.	D18/55
5,454,555	A	*	10/1995	Kiyohara et al.	271/9.01
5,534,894	A	*	7/1996	Hirano et al.	346/134
D378,927	S	*	4/1997	Kasahara et al.	D18/50
D414,472	S	*	9/1999	Metzler	D14/422

D425,547	S	*	5/2000	Ishiura	D18/19
D440,246	S	*	4/2001	Yin	D18/50
6,249,295	B1	*	6/2001	Kiyohara et al.	346/134
6,336,758	B1	*	1/2002	Ishida et al.	400/625
6,382,858	B1	*	5/2002	Nojima et al.	400/691
6,412,022	B1	*	6/2002	Kumpf et al.	710/1
6,496,670	B1	*	12/2002	Ishikita et al.	399/107
D484,532	S	*	12/2003	Seo et al.	D18/50
6,669,385	B1	*	12/2003	King et al.	400/625
6,860,664	B2	*	3/2005	Silverbrook	400/613
2002/0036807	A1	*	3/2002	Terashima et al.	358/474
2003/0160379	A1	*	8/2003	Shimamura et al.	271/10.01
2004/0061765	A1	*	4/2004	Kan et al.	347/108
2004/0067089	A1	*	4/2004	Tanaami et al.	400/693

* cited by examiner

Primary Examiner—M. H. Tung

Assistant Examiner—Susan Moon Lee

(74) *Attorney, Agent, or Firm*—Rabin & Berdo, P.C.

(57) **CLAIM**

The ornamental design for a “thin scanning and printing device,” as shown and described.

DESCRIPTION

FIG. 1 is a perspective view of a “thin scanning and printing device” showing my new design;

FIG. 2 is a front view thereof;

FIG. 3 is a rear view thereof;

FIG. 4 is a left side view thereof;

FIG. 5 is a right side view thereof;

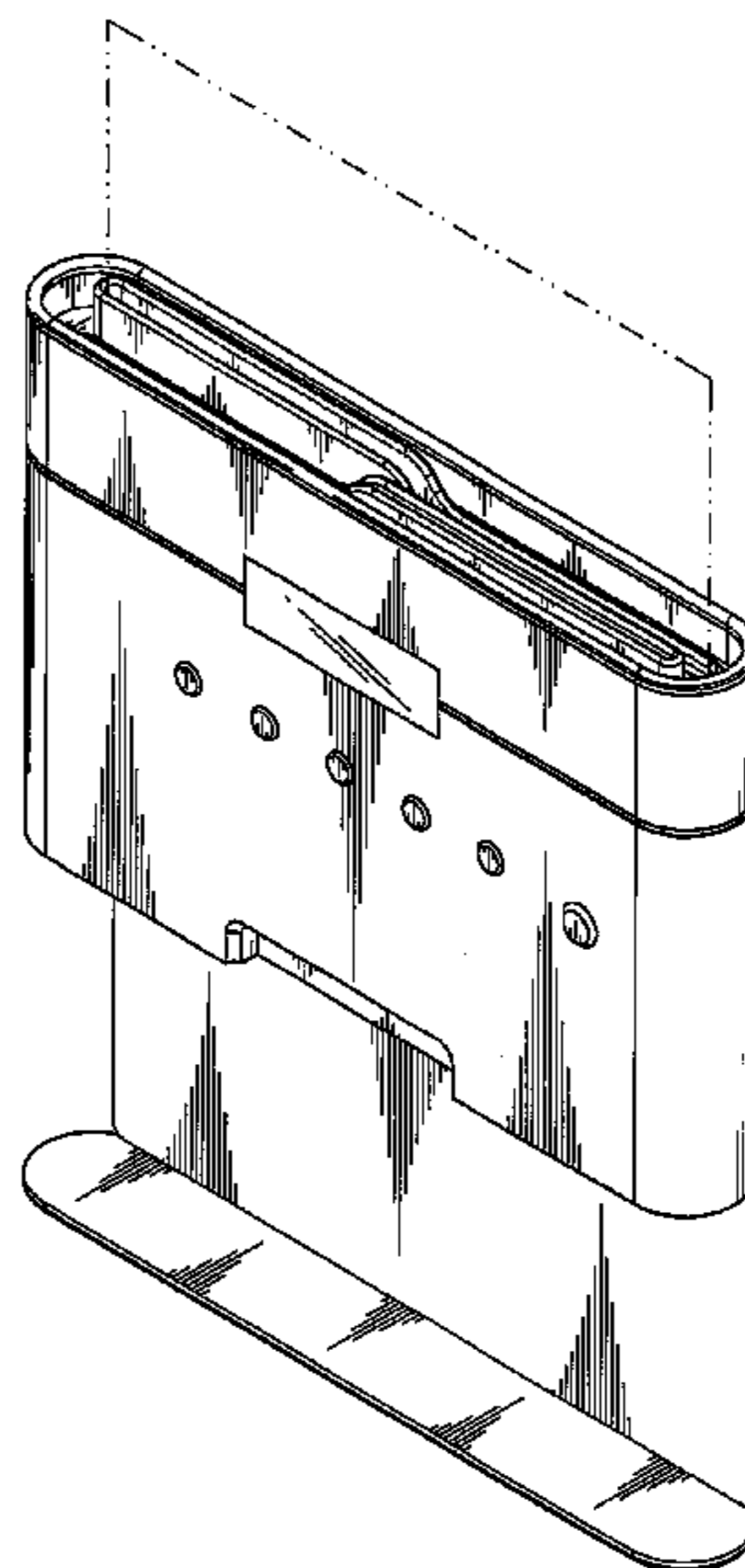
FIG. 6 is a top view thereof; and

FIG. 7 is a bottom view thereof; and,

FIG. 8 is a perspective view of a thin scanning and printing device shown in the open position.

The broken line showing of a piece of paper in FIG. 8 is for illustrative purposes only and forms no part of the claimed design.

1 Claim, 5 Drawing Sheets



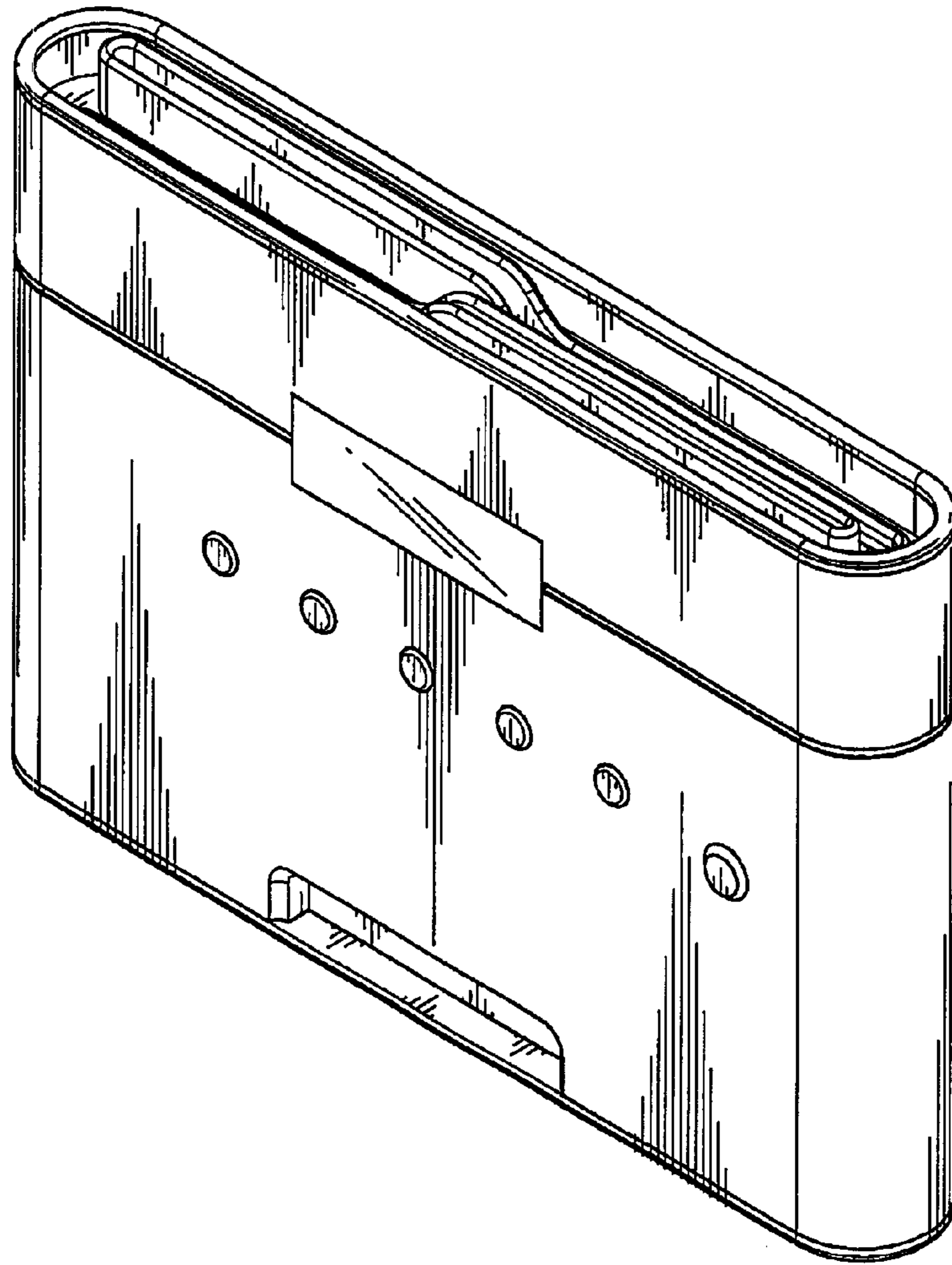


FIG. 1

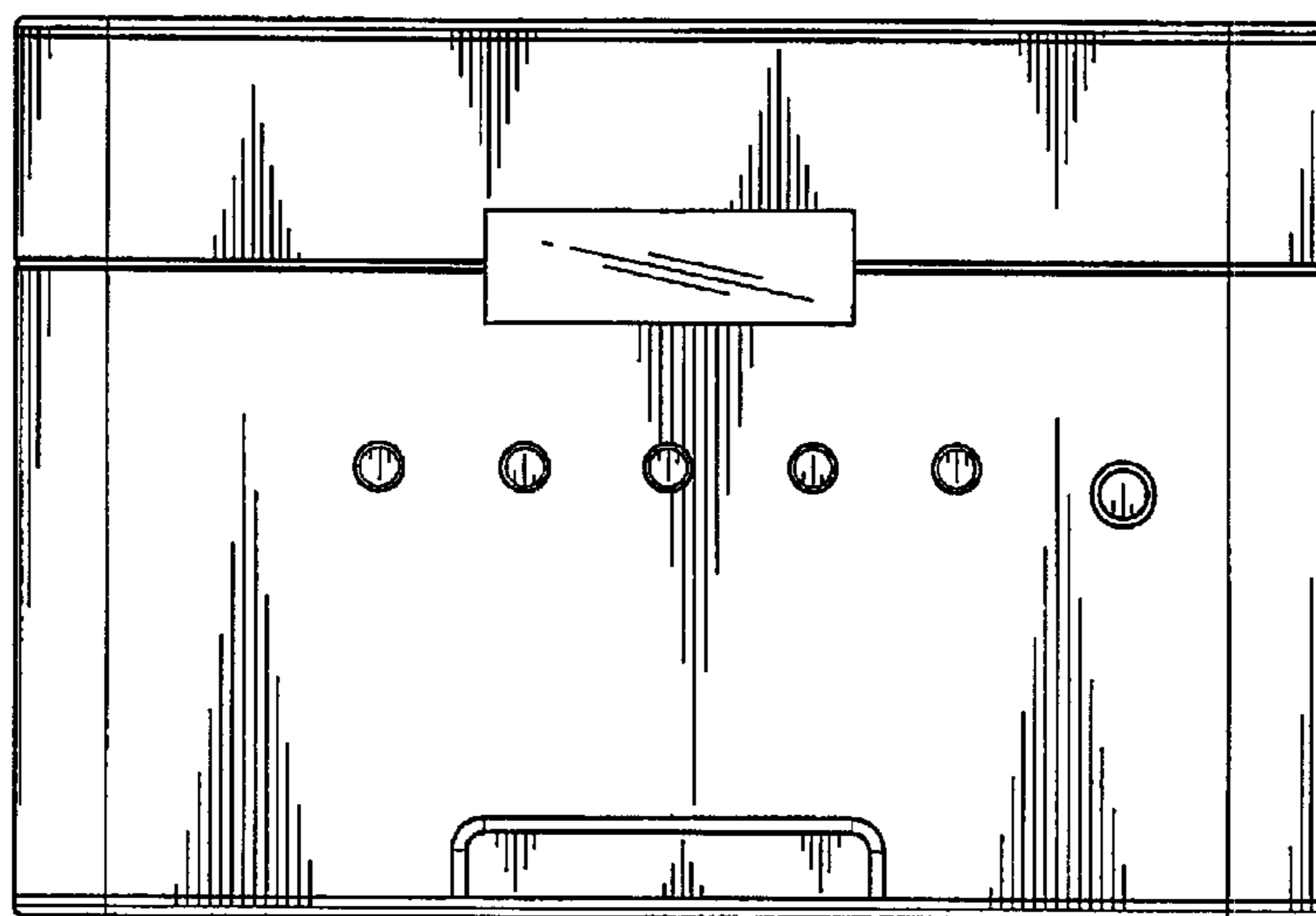


FIG. 2

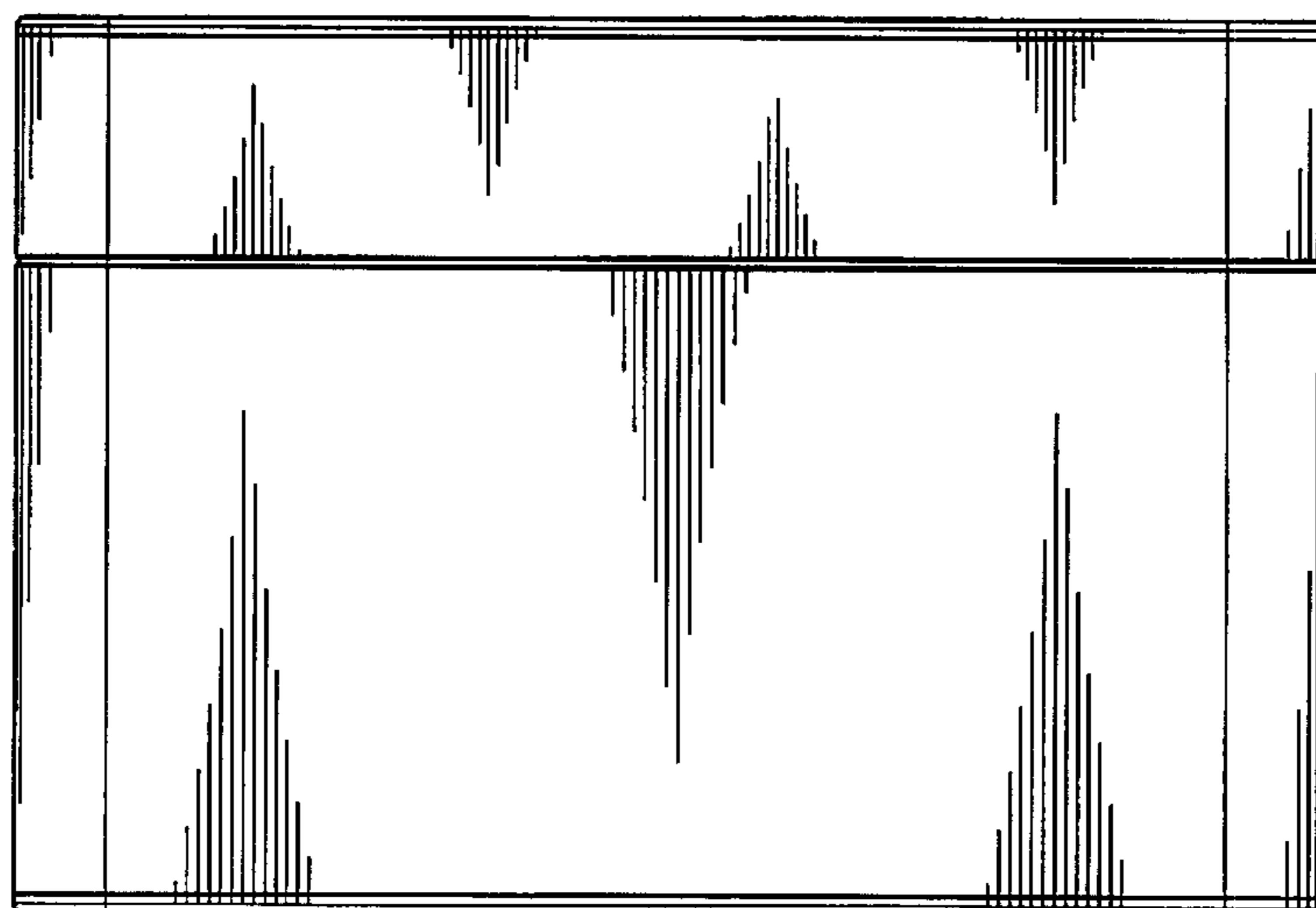


FIG. 3

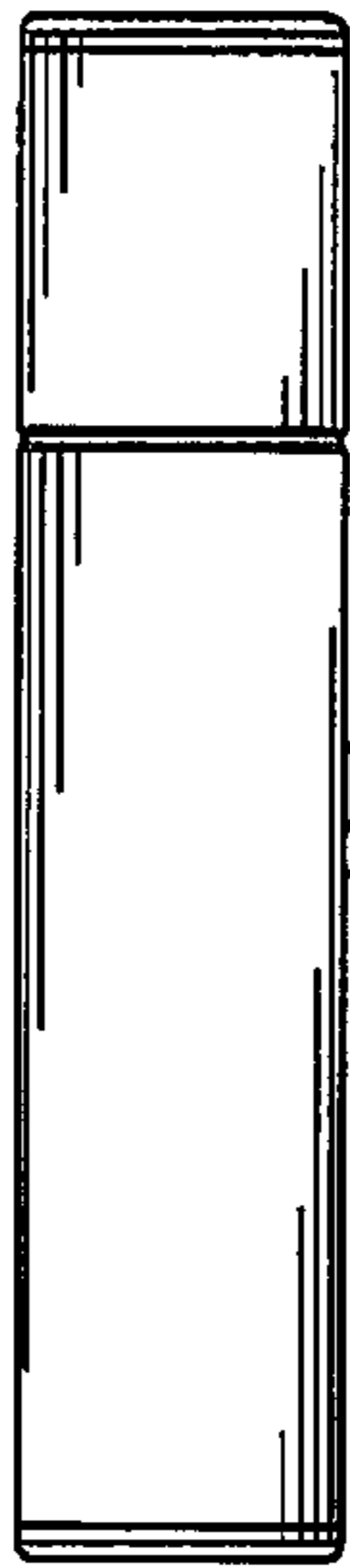


FIG. 4

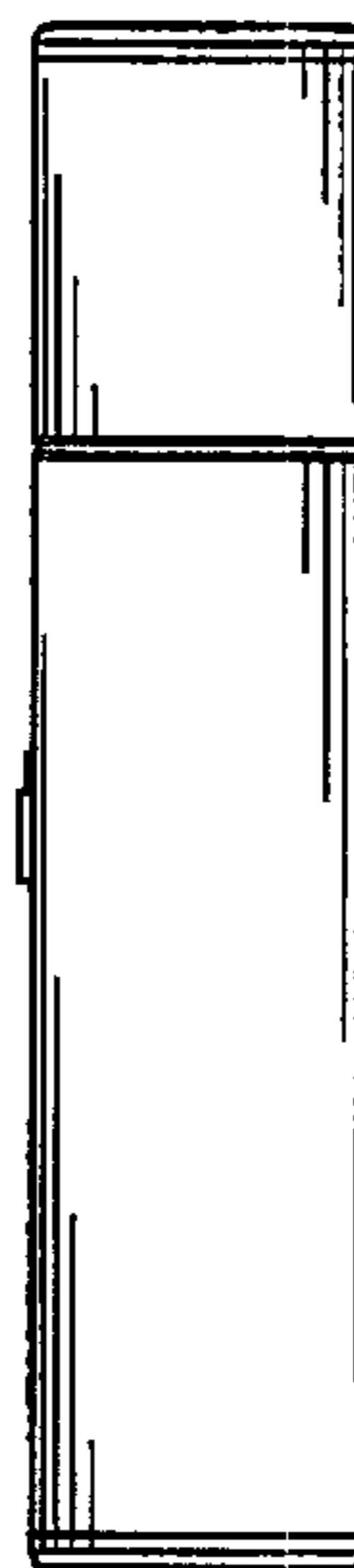


FIG. 5

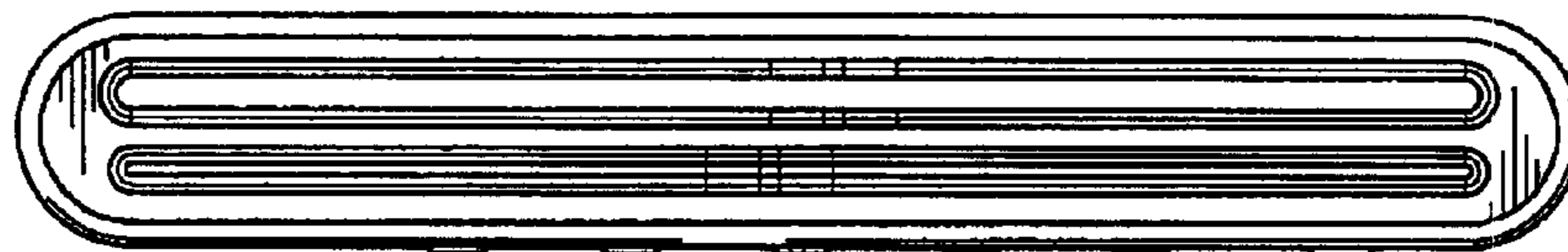


FIG. 6

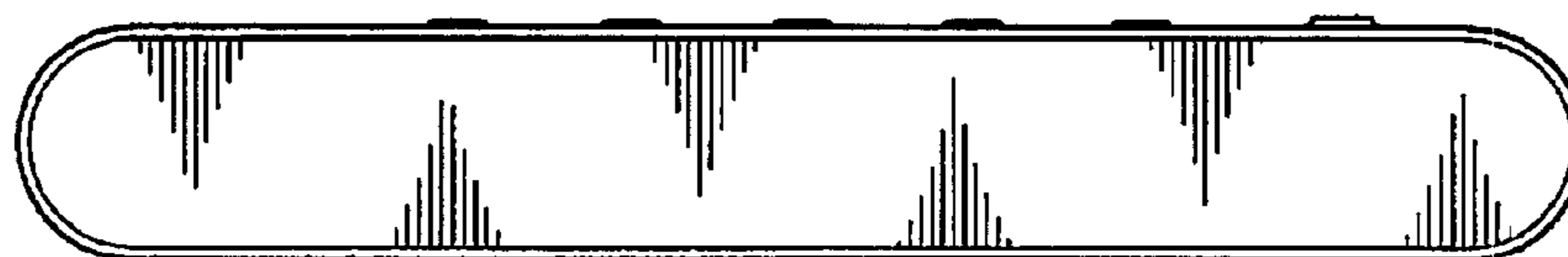


FIG. 7

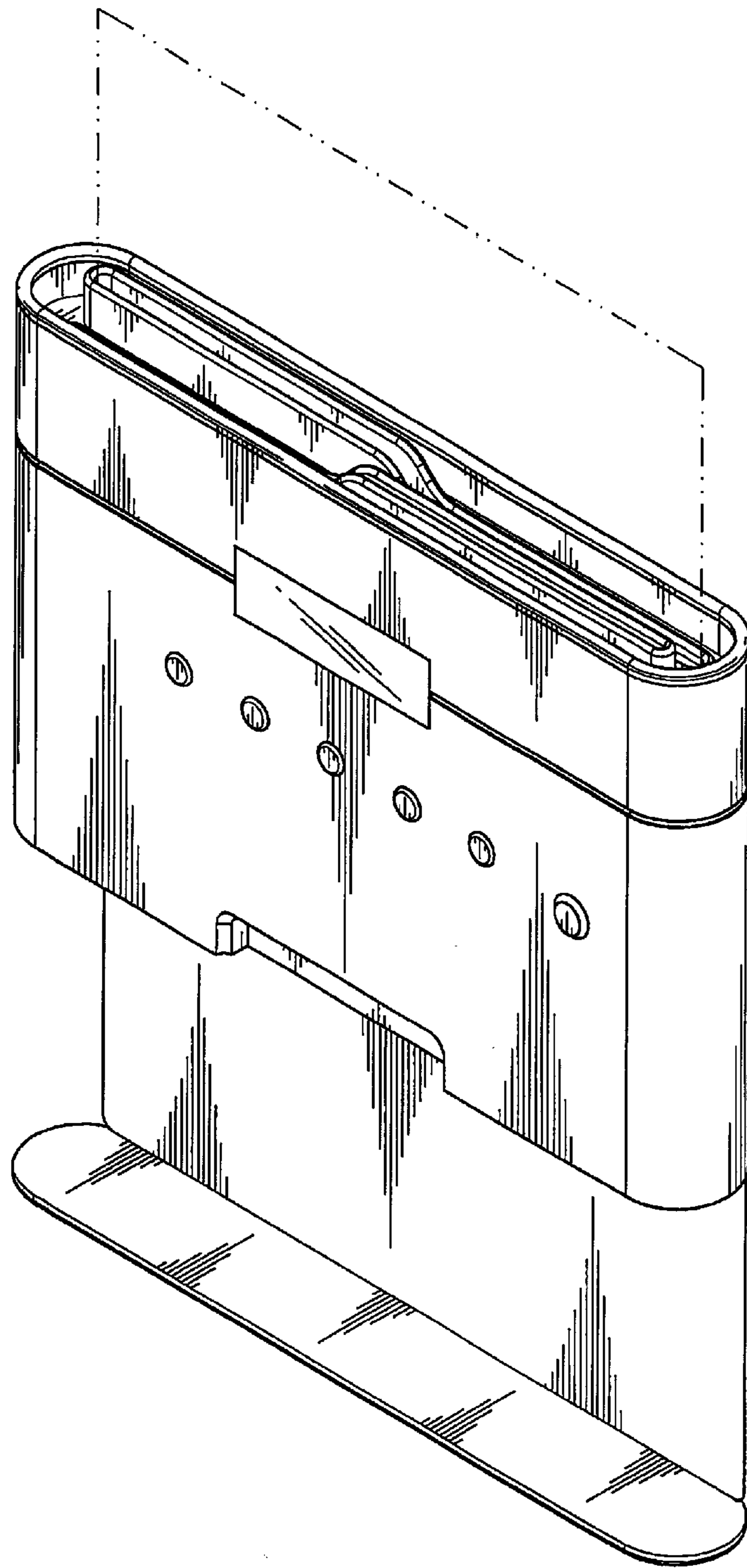


FIG. 8