



US00D542791S

(12) **United States Design Patent** (10) **Patent No.:** **US D542,791 S**
Fitch et al. (45) **Date of Patent:** **** May 15, 2007**

(54) **TRANSACTION TERMINAL**
(75) Inventors: **Timothy R. Fitch**, Syracuse, NY (US);
Donna M. Fletcher, Auburn, NY (US);
James Gresko, Rochester, NY (US);
Paul Klock, Rochester, NY (US)
(73) Assignee: **Hand Held Products, Inc.**, Skaneateles
Falls, NY (US)
(**) Term: **14 Years**

D386,781 S 11/1997 Sasaki
D389,813 S 1/1998 Itoh
D400,191 S * 10/1998 Butts et al. D14/385
D404,376 S 1/1999 Shane et al.
D404,761 S 1/1999 Tarpenning et al.
5,933,812 A * 8/1999 Meyer et al. 705/15
D413,582 S 9/1999 Tompkins
D425,558 S 5/2000 Tarpenning et al.
D426,237 S * 6/2000 Wranne D14/385
6,097,606 A * 8/2000 Groves et al. 361/747

(Continued)

(21) Appl. No.: **29/213,962**
(22) Filed: **Sep. 24, 2004**

Related U.S. Application Data

(63) Continuation of application No. 29/185,843, filed on Jul. 3,
2003, now abandoned, which is a continuation of application
No. 29/172,007, filed on Dec. 4, 2002, now abandoned,
which is a continuation of application No. 29/153,497, filed
on Jan. 8, 2002, now abandoned, which is a continuation of
application No. 29/141,121, filed on Apr. 30, 2001, now
abandoned.

(51) **LOC (8) Cl.** **14-02**
(52) **U.S. Cl.** **D14/385**
(58) **Field of Classification Search** D14/383-386;
D18/4.1-4.6; 361/747; 705/15; 235/382,
235/382.5

See application file for complete search history.

(56) **References Cited**

U.S. PATENT DOCUMENTS

D319,434 S 8/1991 Lund
D336,464 S 6/1993 Clough et al.
D337,569 S 7/1993 Kando
D338,656 S 8/1993 Spayde et al.
D345,966 S 4/1994 Perez
D350,120 S * 8/1994 Tsuboi et al. D14/385
D363,271 S 10/1995 Peterson
D363,511 S 10/1995 Hui
D366,466 S * 1/1996 Lee et al. D14/385
D372,730 S 8/1996 Sasaki
D385,857 S 11/1997 Cohen et al.
D385,903 S * 11/1997 Kim D18/4.4

OTHER PUBLICATIONS

U.S. Appl. No. 10/841,957, filing date May 7, 2004,
O'Donnell et al., File History Including Claims.

Primary Examiner—Freda S. Nunn

(74) *Attorney, Agent, or Firm*—Wall Marjama & Bilinski
LLP

(57) **CLAIM**

The ornamental design for a transaction terminal, as shown
and described.

DESCRIPTION

FIG. 1 is a perspective view of a transaction terminal
according to the invention;

FIG. 2 is a top plan view of the transaction terminal shown
in FIG. 1;

FIG. 3 is a front elevation view of the transaction terminal
shown in FIG. 1;

FIG. 4 is a bottom plan view of the transaction terminal
shown in FIG. 1;

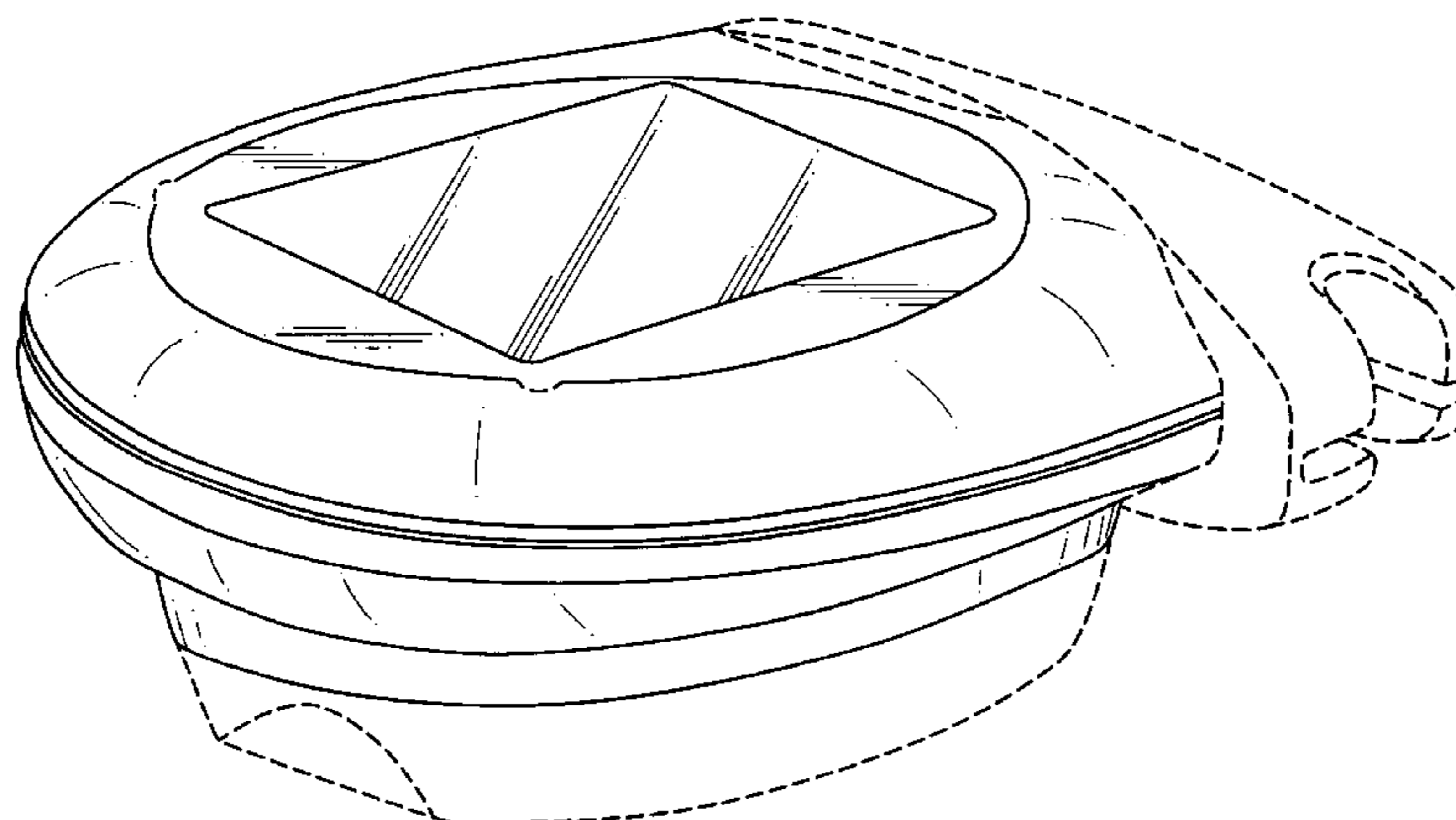
FIG. 5 is a rear elevation view of the transaction terminal
shown in FIG. 1;

FIG. 6 is a left side elevation view of the transaction terminal
shown in FIG. 1; and,

FIG. 7 is a right side elevation view of the transaction
terminal shown in FIG. 1.

The broken lines of the drawings are for illustrative purposes
only and form no part of the claimed design.

1 Claim, 4 Drawing Sheets



US D542,791 S

Page 2

U.S. PATENT DOCUMENTS

D431,590 S	10/2000	Brown et al.	D486,176 S	2/2004	Flaherty et al.
D434,399 S	11/2000	Lanet	D491,216 S	6/2004	Ookushi et al.
D445,418 S	7/2001	Chen	D492,303 S	6/2004	Schlieffers et al.
D447,136 S	8/2001	Groves et al.	6,757,156 B2	6/2004	Adams et al.
D447,476 S	9/2001	Chaiken et al.	D492,718 S	7/2004	Ookushi et al.
D451,097 S	11/2001	Schmeisser et al.	D496,682 S	9/2004	Ookushi et al.
D451,507 S	12/2001	Lin	D498,754 S	11/2004	Blyth
D451,535 S	12/2001	Lee	D502,945 S	3/2005	Huang et al.
D455,433 S	4/2002	Alviar et al.	D503,709 S	4/2005	Lodato et al.
D462,679 S	9/2002	Liu	D504,890 S	5/2005	Sung et al.
D464,345 S	10/2002	Liu	2003/0132918 A1	7/2003	Fitch et al.
D479,716 S	9/2003	Miller			

* cited by examiner

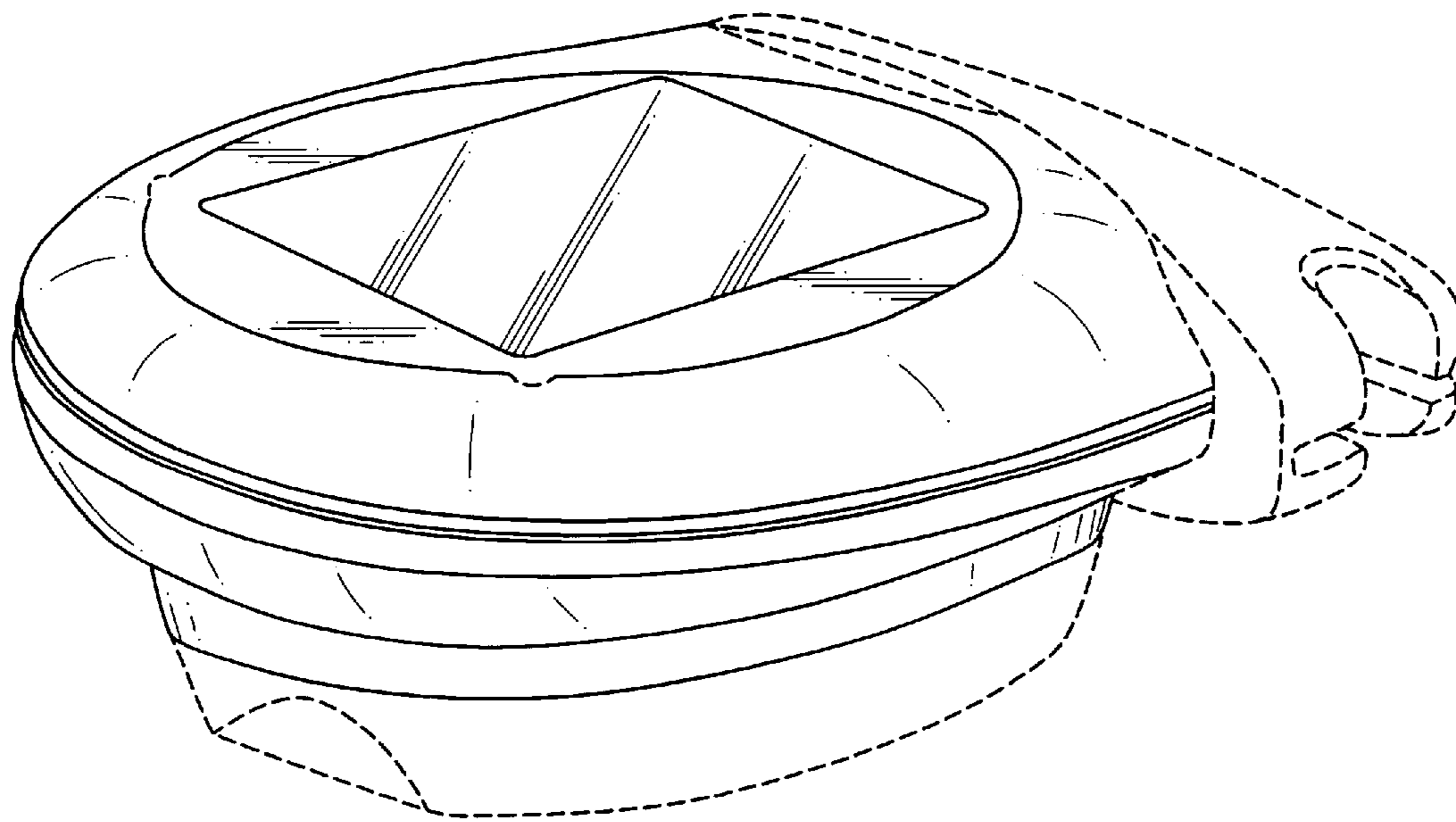


FIG. 1

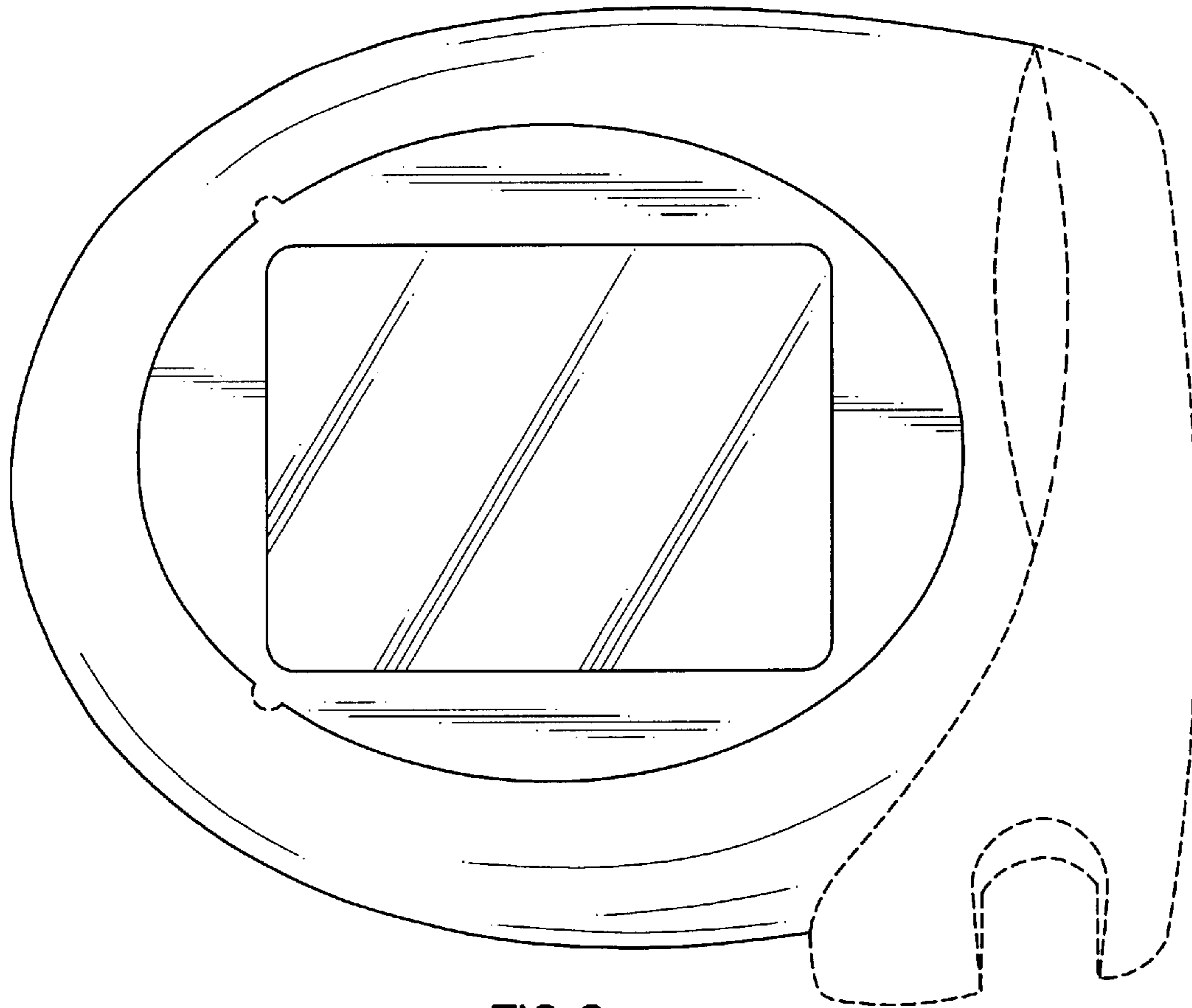


FIG. 2

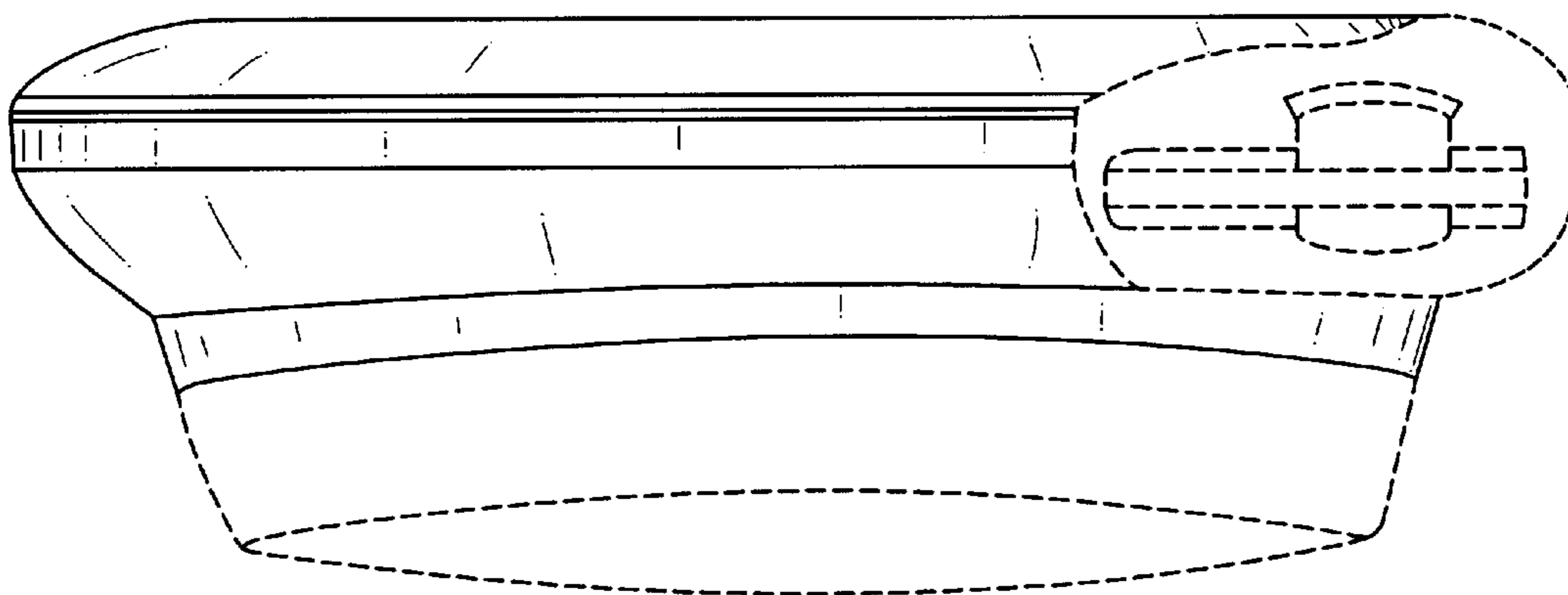


FIG. 3

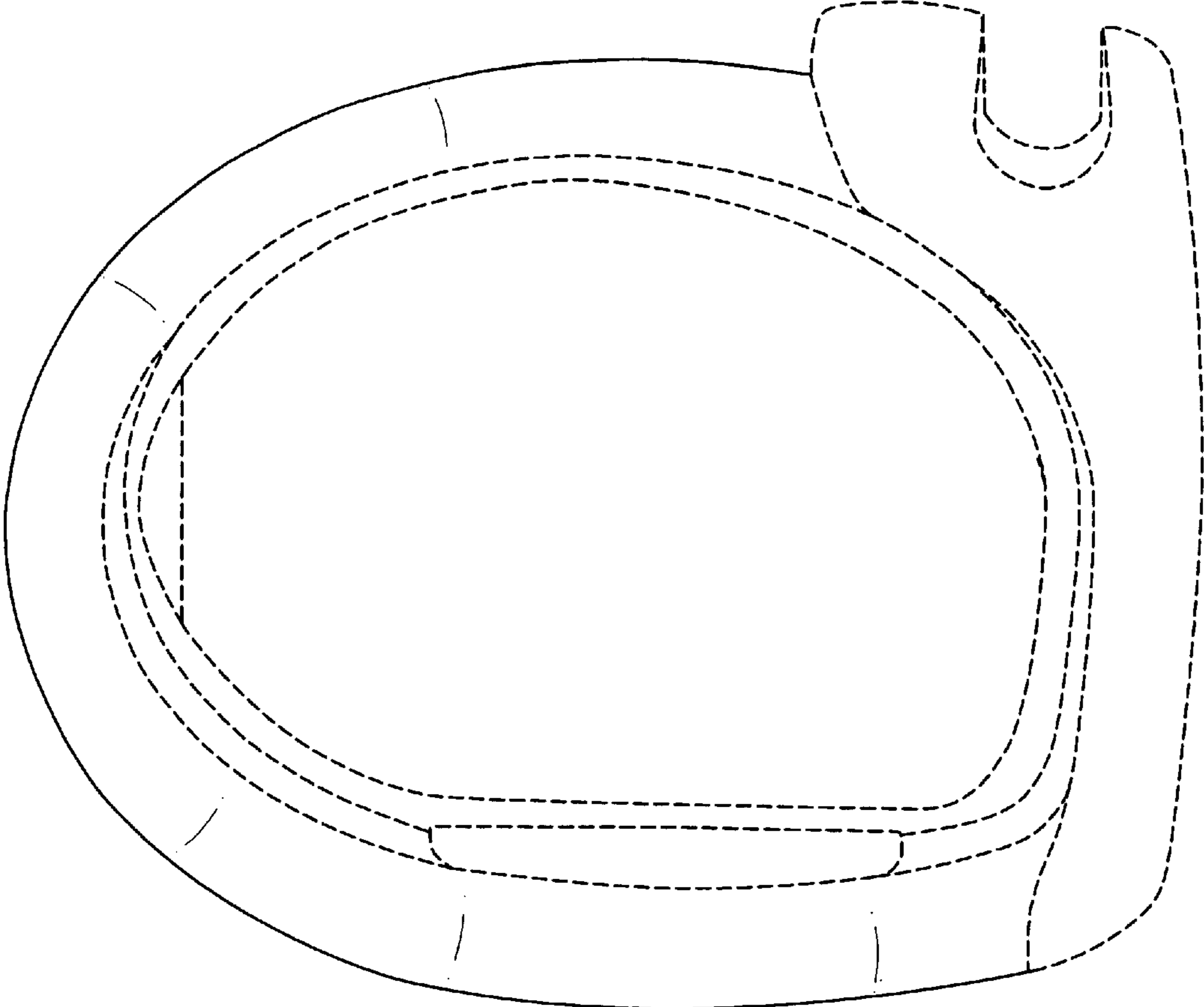


FIG. 4

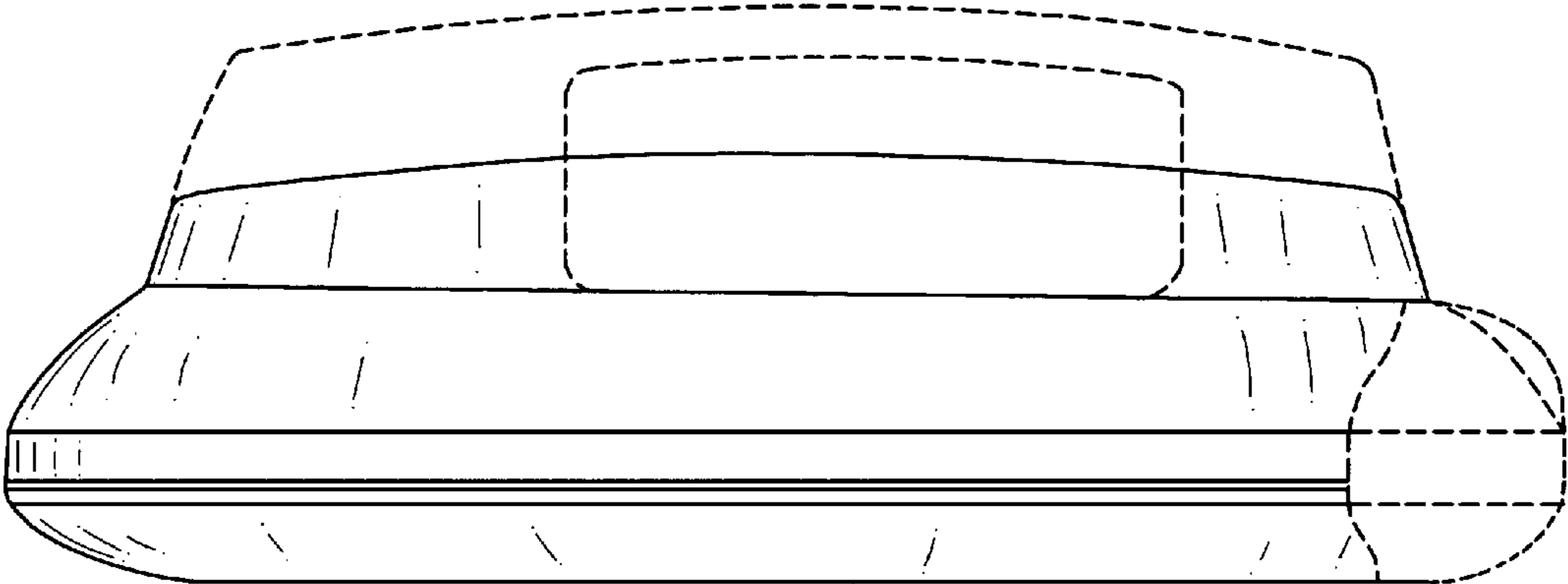


FIG. 5

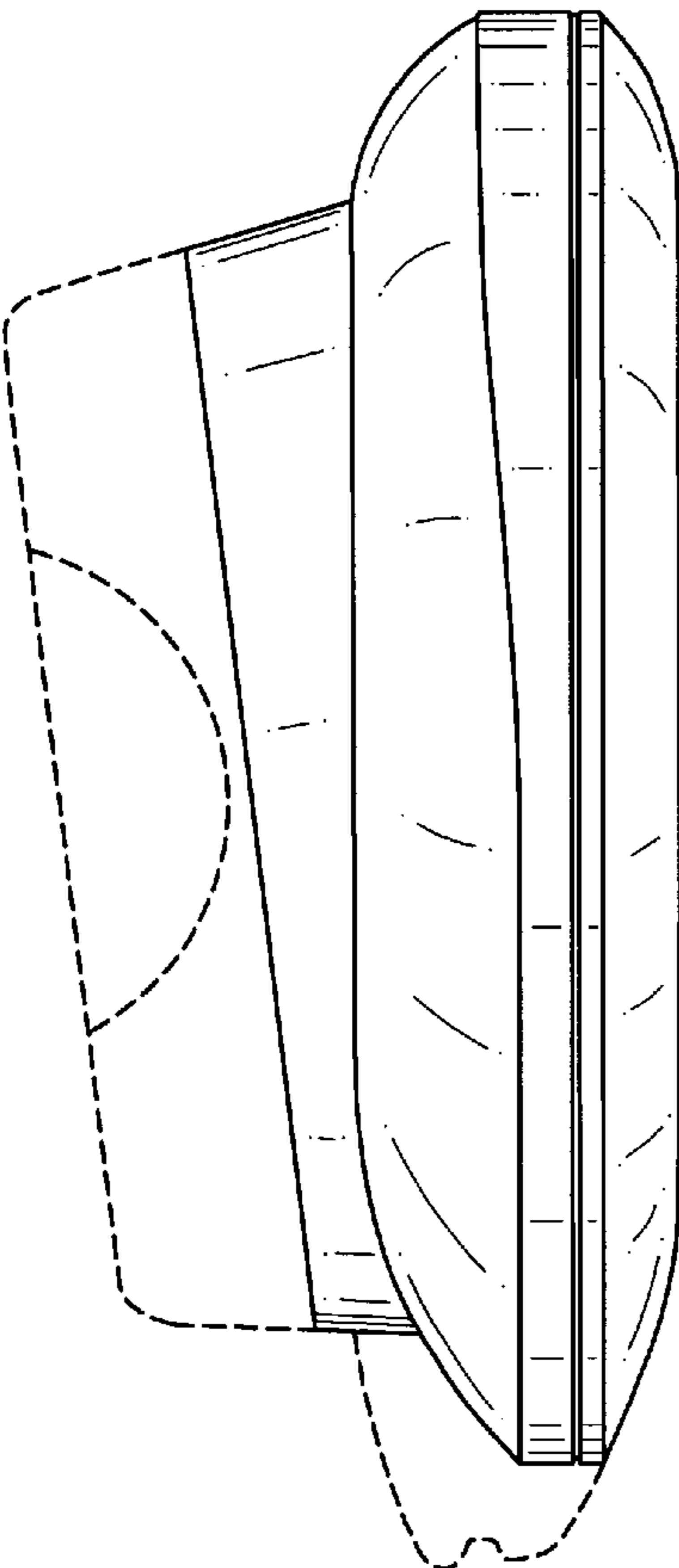


FIG. 6

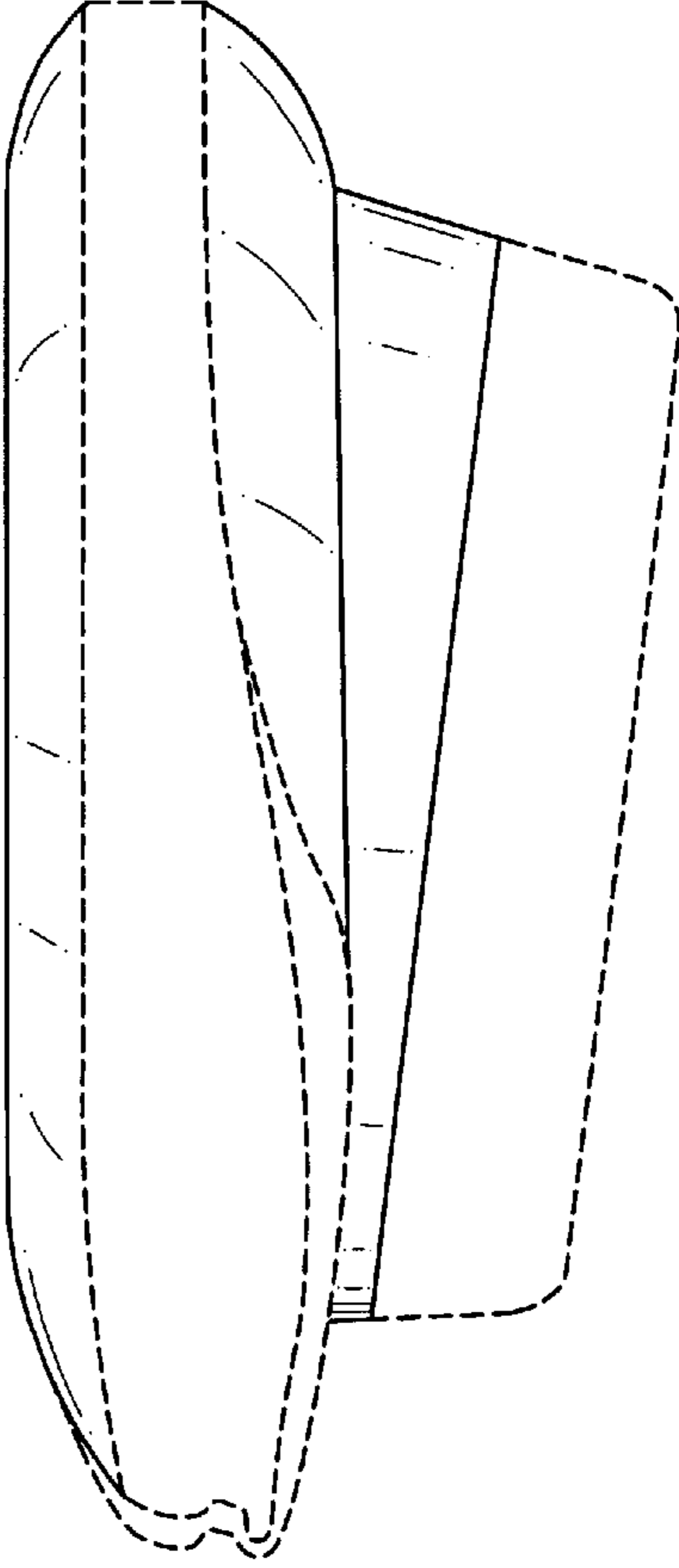


FIG. 7

UNITED STATES PATENT AND TRADEMARK OFFICE
CERTIFICATE OF CORRECTION

PATENT NO. : Des. 542,791 S
APPLICATION NO. : 29/213962
DATED : May 15, 2007
INVENTOR(S) : Timothy R. Fitch et al.

Page 1 of 1

It is certified that error appears in the above-identified patent and that said Letters Patent is hereby corrected as shown below:

Title Page, Col 2, under Description of FIG. 7, delete "trasnaction" and replace with --transaction--

Signed and Sealed this

Tenth Day of July, 2007

A handwritten signature in black ink on a light gray dotted background. The signature reads "Jon W. Dudas" in a cursive style.

JON W. DUDAS

Director of the United States Patent and Trademark Office