

US00D542788S

(12) **United States Design Patent**  
**Gutmann et al.**

(10) **Patent No.:** **US D542,788 S**

(45) **Date of Patent:** **\*\* May 15, 2007**

(54) **USB STICK**

(75) Inventors: **Peter Gutmann**, Thalweil (CH);  
**Markus Fischer**, Esslingen (DE); **Elias Knubben**, Ostfildern-Nellingen (DE)

(73) Assignee: **Biocomfort GmbH & Co. KG**,  
Esslingen (DE)

(\*\*) **Term:** **14 Years**

(21) **Appl. No.:** **29/258,324**

(22) **Filed:** **Apr. 20, 2006**

(30) **Foreign Application Priority Data**

Nov. 14, 2005 (EM) ..... 000430376

(51) **LOC (8) Cl.** ..... **14-02**

(52) **U.S. Cl.** ..... **D14/356; D14/435**

(58) **Field of Classification Search** ..... D14/137,  
D14/156, 167, 240, 242, 299, 348, 356, 358,  
D14/384-5, 402, 432-435, 496; 361/685-6;  
365/63, 131; 439/139-41, 144, 518, 638;  
710/62, 74

See application file for complete search history.

(56) **References Cited**

**U.S. PATENT DOCUMENTS**

D130,619 S \* 12/1941 Tresise et al ..... D13/103  
D269,088 S \* 5/1983 Genaro et al. .... D14/147

D281,968 S \* 12/1985 Thiele et al. .... D13/103  
D383,737 S \* 9/1997 Zinck ..... D14/356  
D449,615 S \* 10/2001 Lloyd ..... D14/433  
6,422,469 B1 \* 7/2002 Pernet ..... 361/740  
D486,829 S \* 2/2004 Wang et al. .... D14/242  
D488,464 S \* 4/2004 Lin et al. .... D14/242  
D511,519 S \* 11/2005 Bone et al. .... D14/435  
D511,770 S \* 11/2005 Chung ..... D14/240  
D514,560 S \* 2/2006 Brown et al. .... D14/356  
D514,561 S \* 2/2006 Lim ..... D14/356  
7,035,110 B1 \* 4/2006 Wang et al. .... 361/752

\* cited by examiner

*Primary Examiner*—Robin Webster

*Assistant Examiner*—Karen E. Patterson

(74) *Attorney, Agent, or Firm*—Hoffman & Baron, LLP

(57) **CLAIM**

The ornamental design for a USB stick, as shown and described.

**DESCRIPTION**

FIG. 1 is a perspective view of a USB stick showing our new design;

FIG. 2 is a front elevation view thereof;

FIG. 3 is a back elevation view thereof;

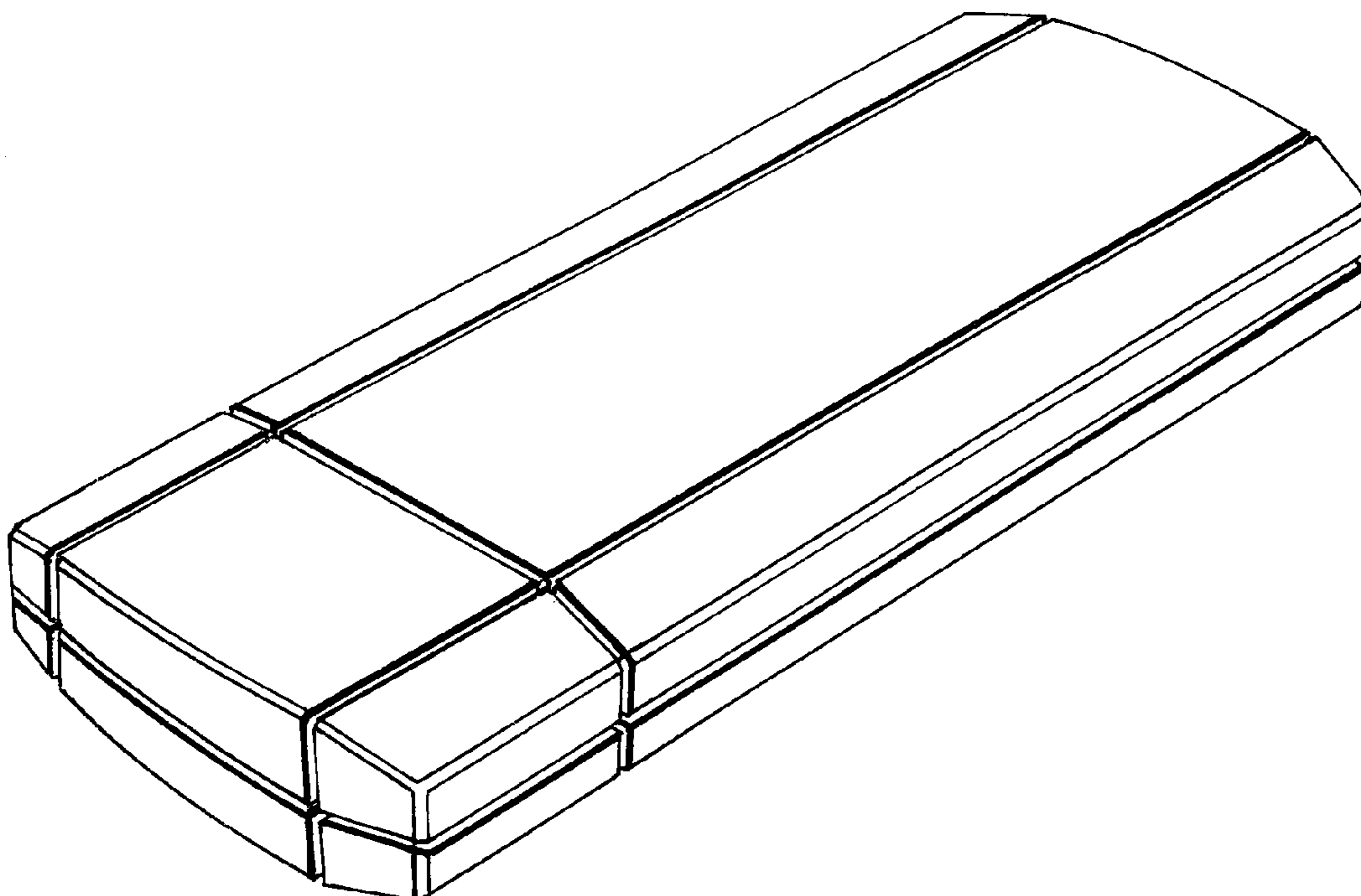
FIG. 4 is a left side elevation view thereof;

FIG. 5 is a right side elevation view thereof;

FIG. 6 is a top elevation view thereof; and,

FIG. 7 is a bottom side elevation view thereof.

**1 Claim, 7 Drawing Sheets**



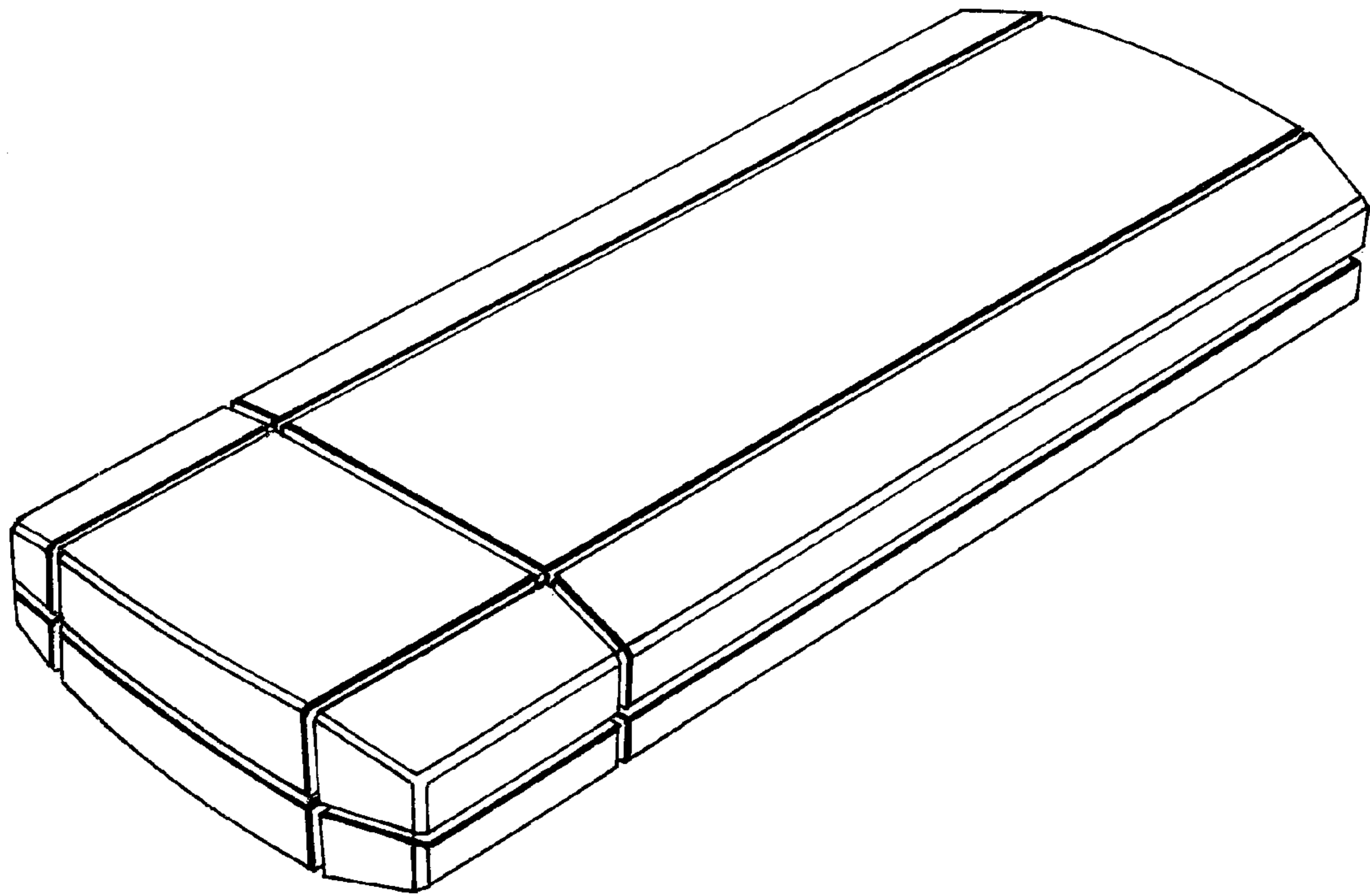


FIG. 1

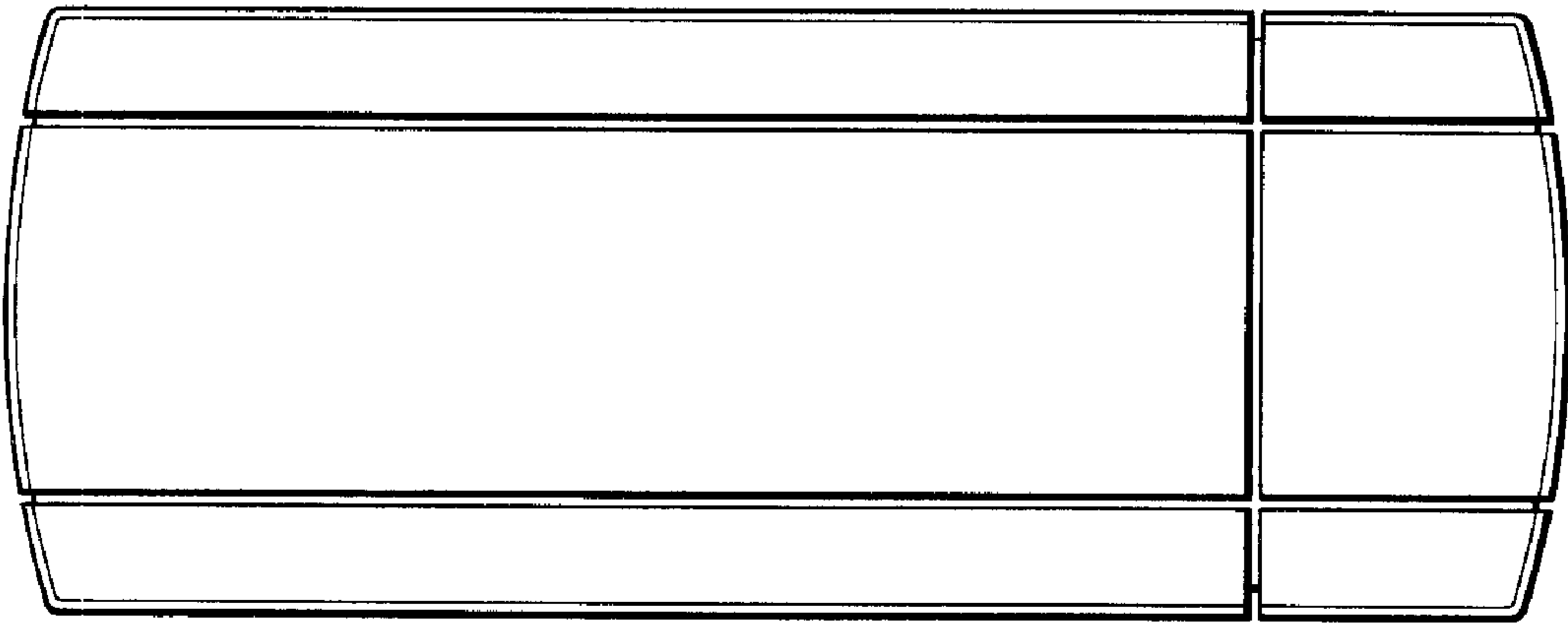


FIG. 2

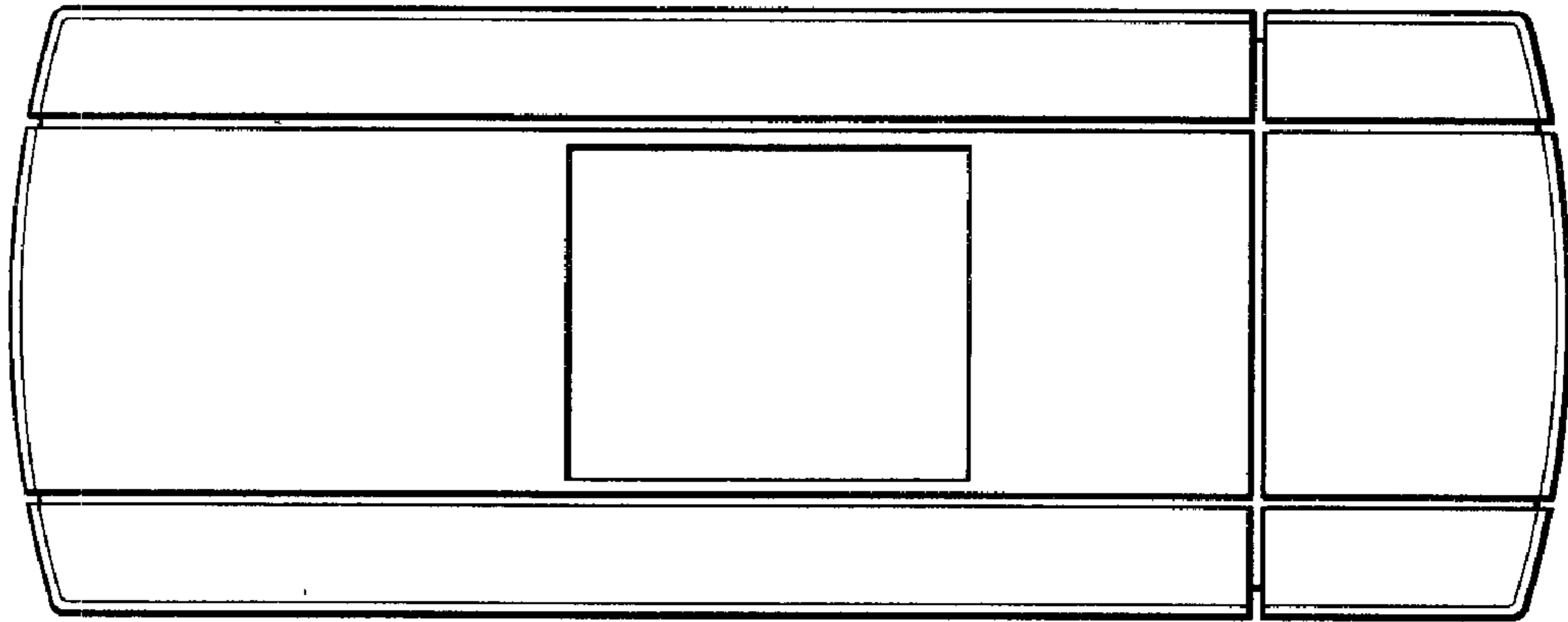


FIG. 3

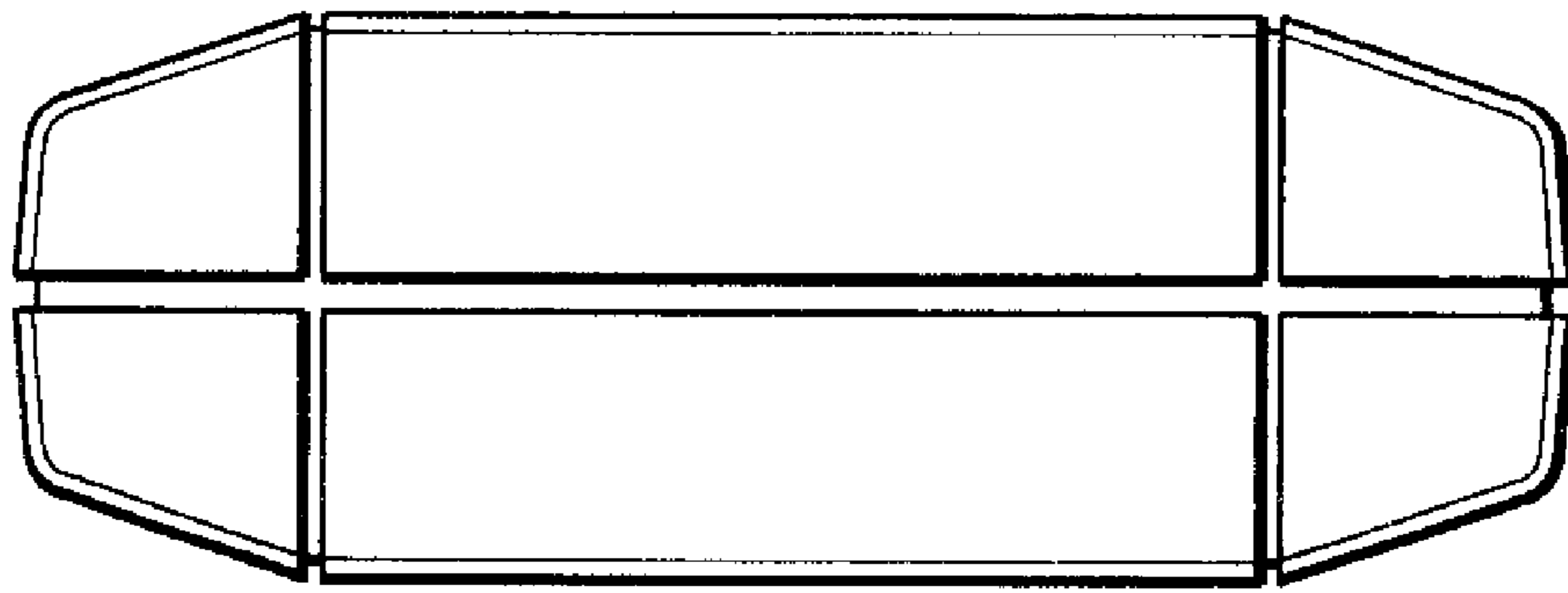


FIG. 4

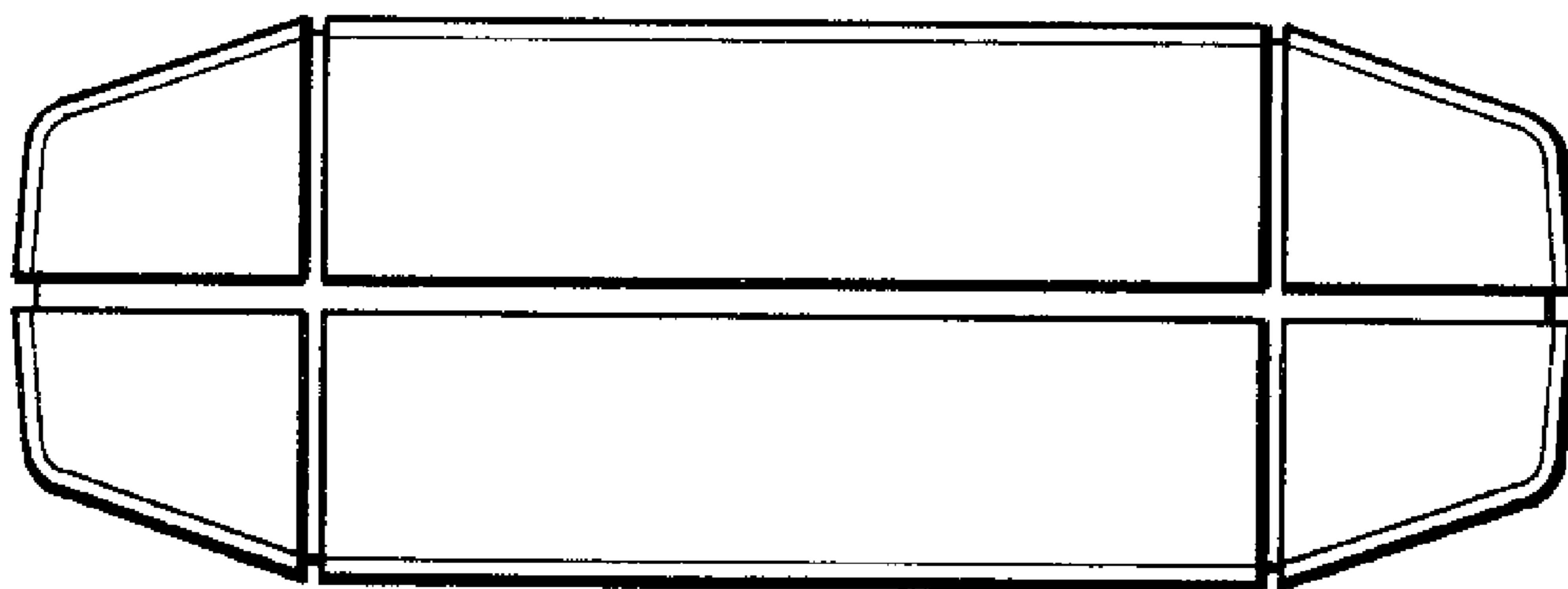


FIG. 5

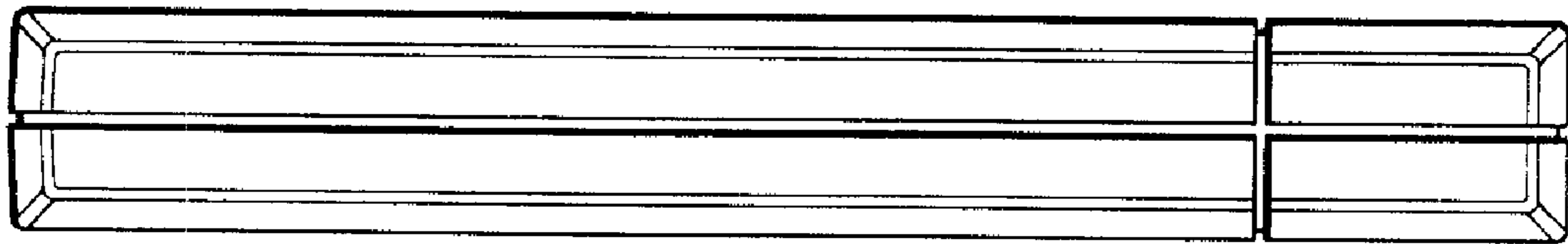


FIG. 6

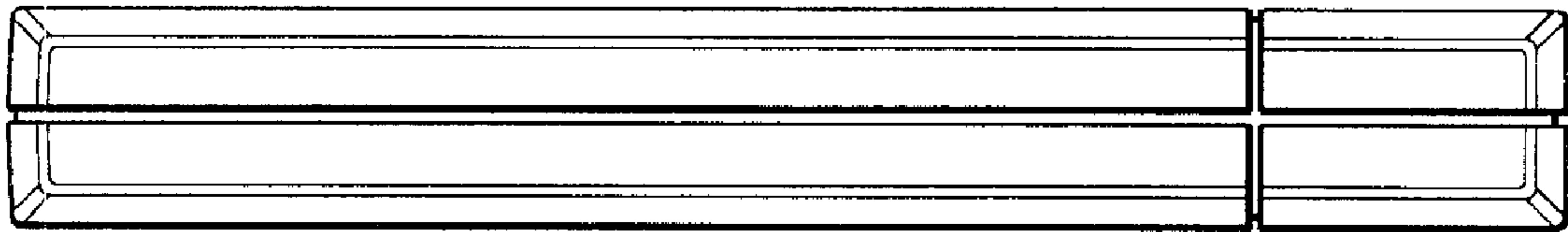


FIG. 7