

US00D542787S

(12) **United States Design Patent**
Siu

(10) **Patent No.:** **US D542,787 S**

(45) **Date of Patent:** **** May 15, 2007**

(54) **USB FLASH DRIVE**

D511,519 S * 11/2005 Bone et al. D14/432
D530,340 S * 10/2006 Andre et al. D14/496

(75) Inventor: **Yu Siu**, Kowloon (HK)

OTHER PUBLICATIONS

(73) Assignee: **Eric Beare Associates Ltd.**, Kowloon (HK)

USB PDF's: <http://www.ixbt.com/storage/flashdrives-p16.shtml>, Feb. 8, 2006, p. 17.*

(**) Term: **14 Years**

* cited by examiner

(21) Appl. No.: **29/252,623**

Primary Examiner—Robin Webster

Assistant Examiner—Karen E. Patterson

(22) Filed: **Jan. 25, 2006**

(74) *Attorney, Agent, or Firm*—Perkins Coie LLP

(51) **LOC (8) Cl.** **14-02**

(57) **CLAIM**

(52) **U.S. Cl.** **D14/356**; D14/435

The ornamental design for a USB flash drive, as shown and described in the drawings.

(58) **Field of Classification Search** D14/137,
D14/156, 167, 240, 242, 299, 348, 356, 384-5,
D14/402, 432-435, 496; 361/685-6; 365/63,
365/131; 439/139-41, 144, 518, 638; 710/62,
710/74

DESCRIPTION

See application file for complete search history.

FIG. 1 is a back, top and right side perspective view of the USB flash drive showing my new design.

FIG. 2 is a front, top, and left side perspective view thereof.

FIG. 3 is a front, top, and right side perspective view thereof.

FIG. 4 is a back, top, and left side perspective view thereof.

FIG. 5 is a back, top, and right side exploded perspective view thereof.

FIG. 6 is a front, top, and left side exploded perspective view thereof.

FIG. 7 is a top view thereof, the bottom view being identical.

FIG. 8 is a left side view thereof, the right side view being identical.

FIG. 9 is a front view thereof; and,

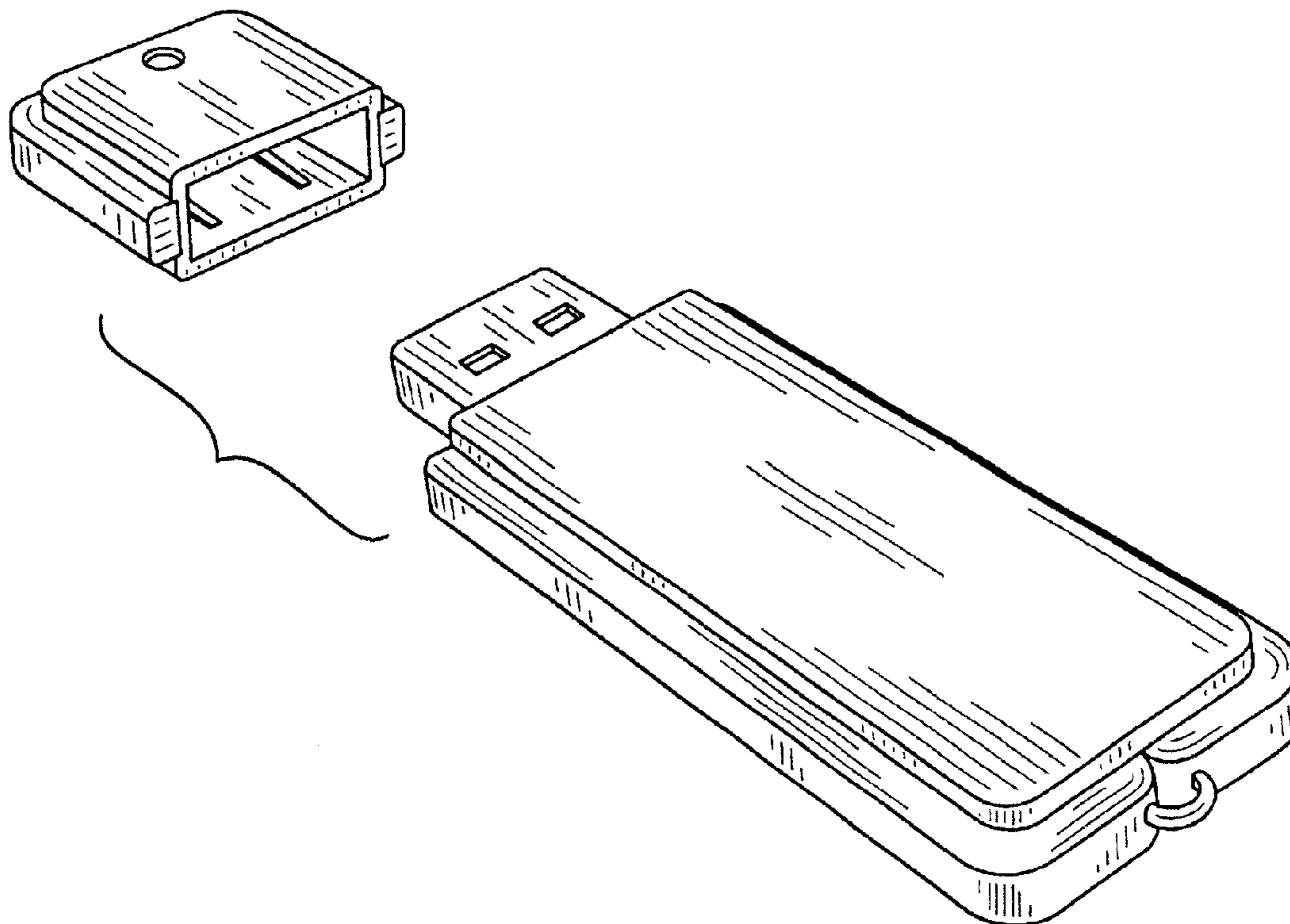
FIG. 10 is a back view thereof.

(56) **References Cited**

U.S. PATENT DOCUMENTS

D395,720 S	*	6/1998	Galli	D26/37
D462,689 S	*	9/2002	Moran	D14/433
D467,921 S	*	12/2002	Lin	D14/385
6,522,534 B1	*	2/2003	Wu	361/686
D473,964 S	*	4/2003	Crisp et al.	D26/52
D486,484 S	*	2/2004	Bloomberg et al.	D14/248
D488,464 S	*	4/2004	Lin et al.	D14/242
6,758,689 B1	*	7/2004	Bair et al.	439/136
6,763,410 B2	*	7/2004	Yu	710/74
D509,819 S	*	9/2005	Yang	D14/156

1 Claim, 2 Drawing Sheets



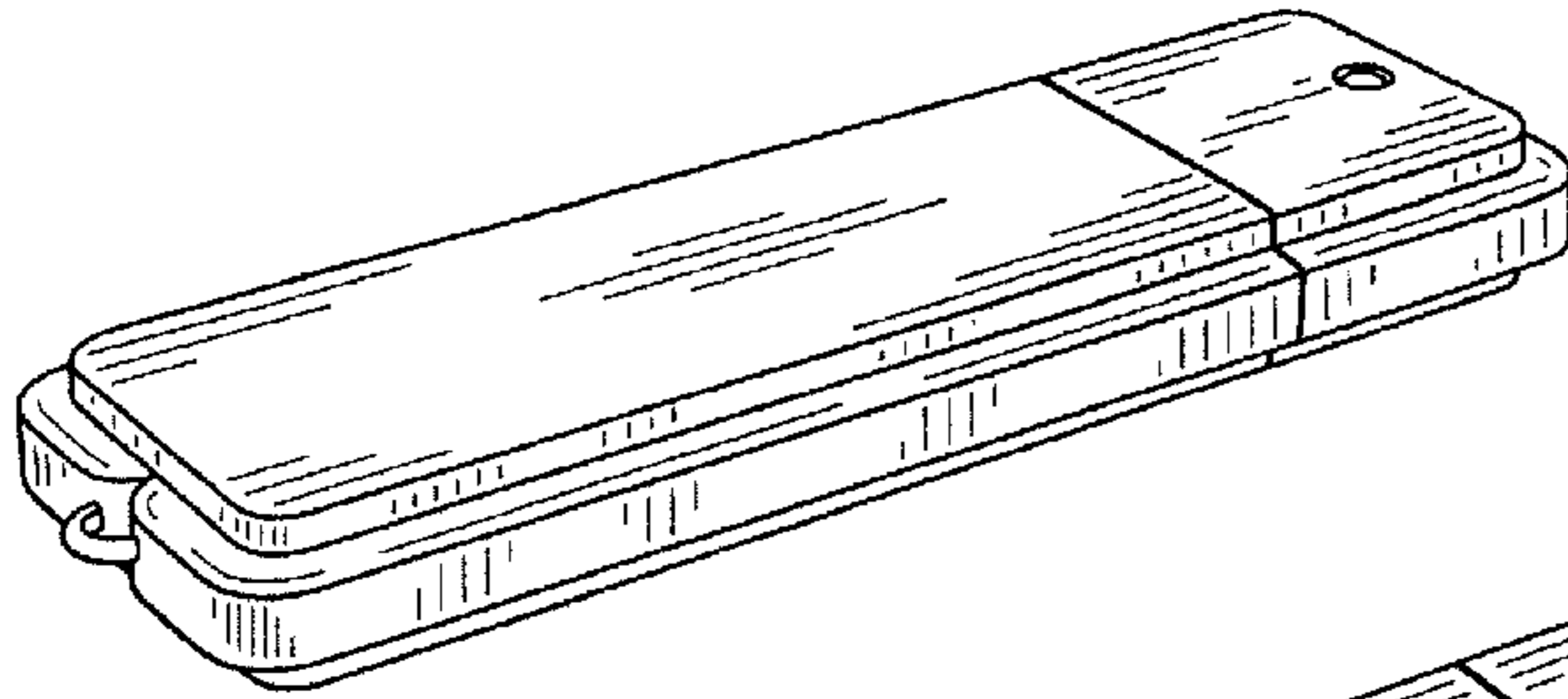


FIG. 1

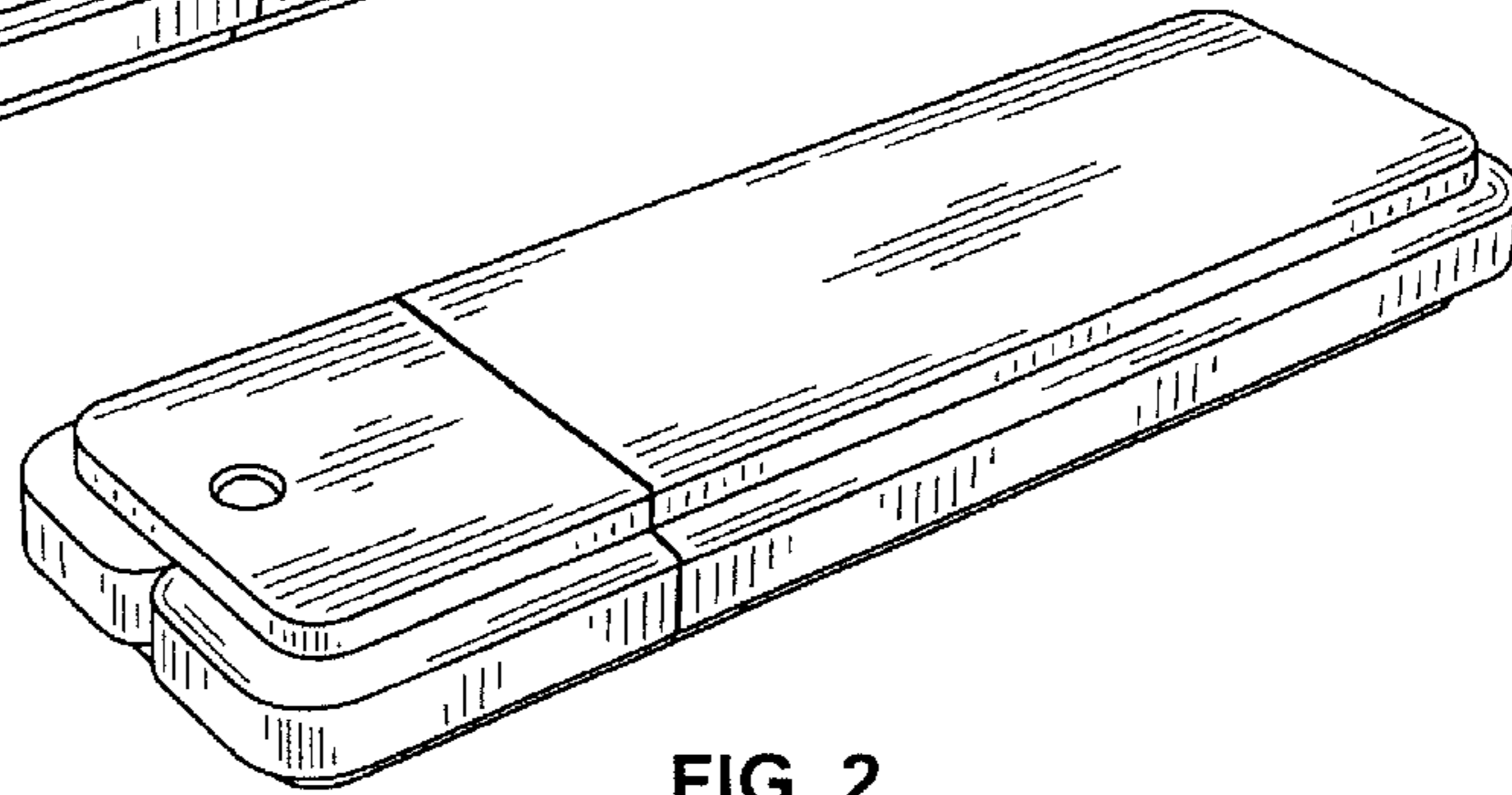


FIG. 2

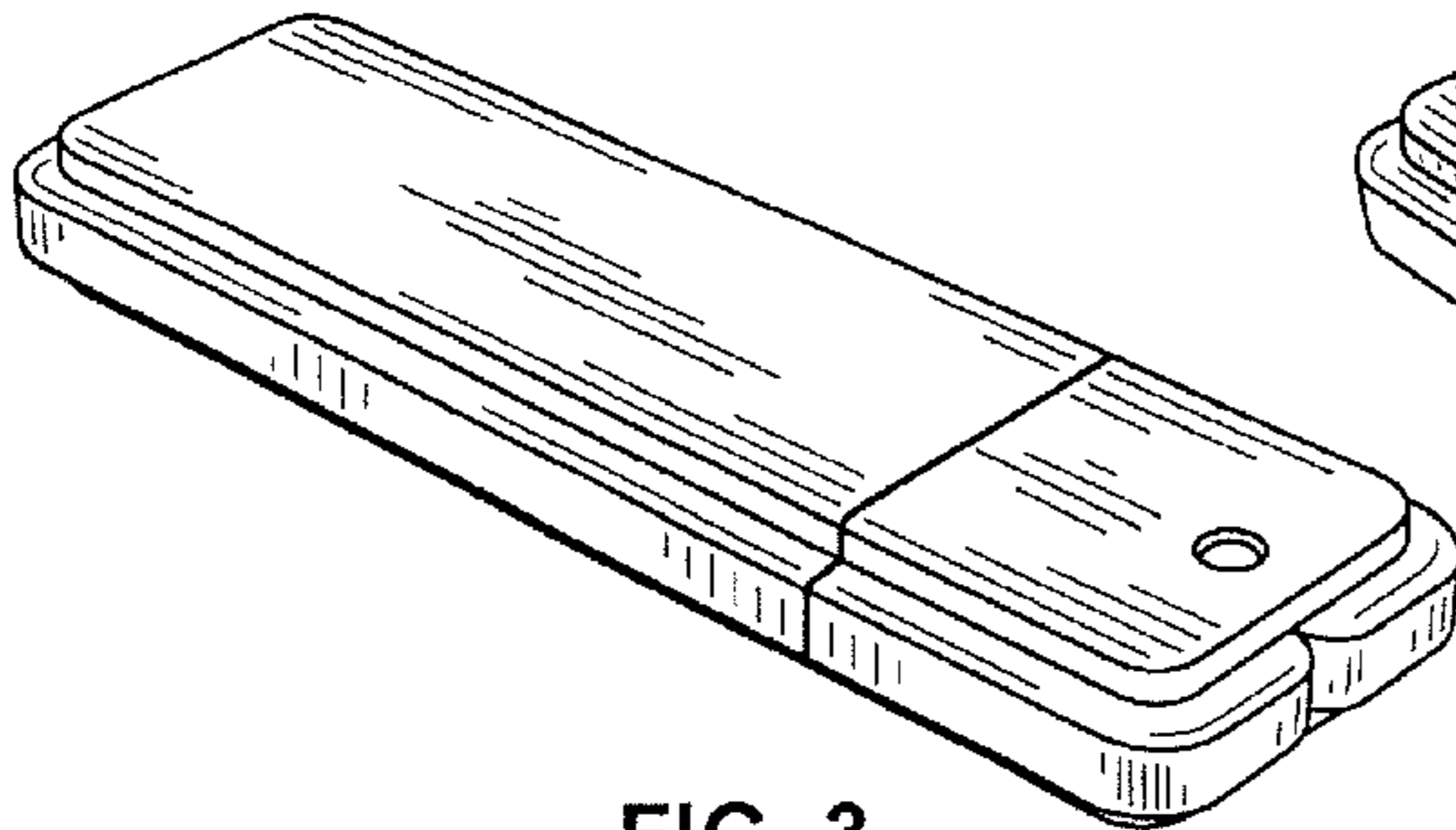


FIG. 3

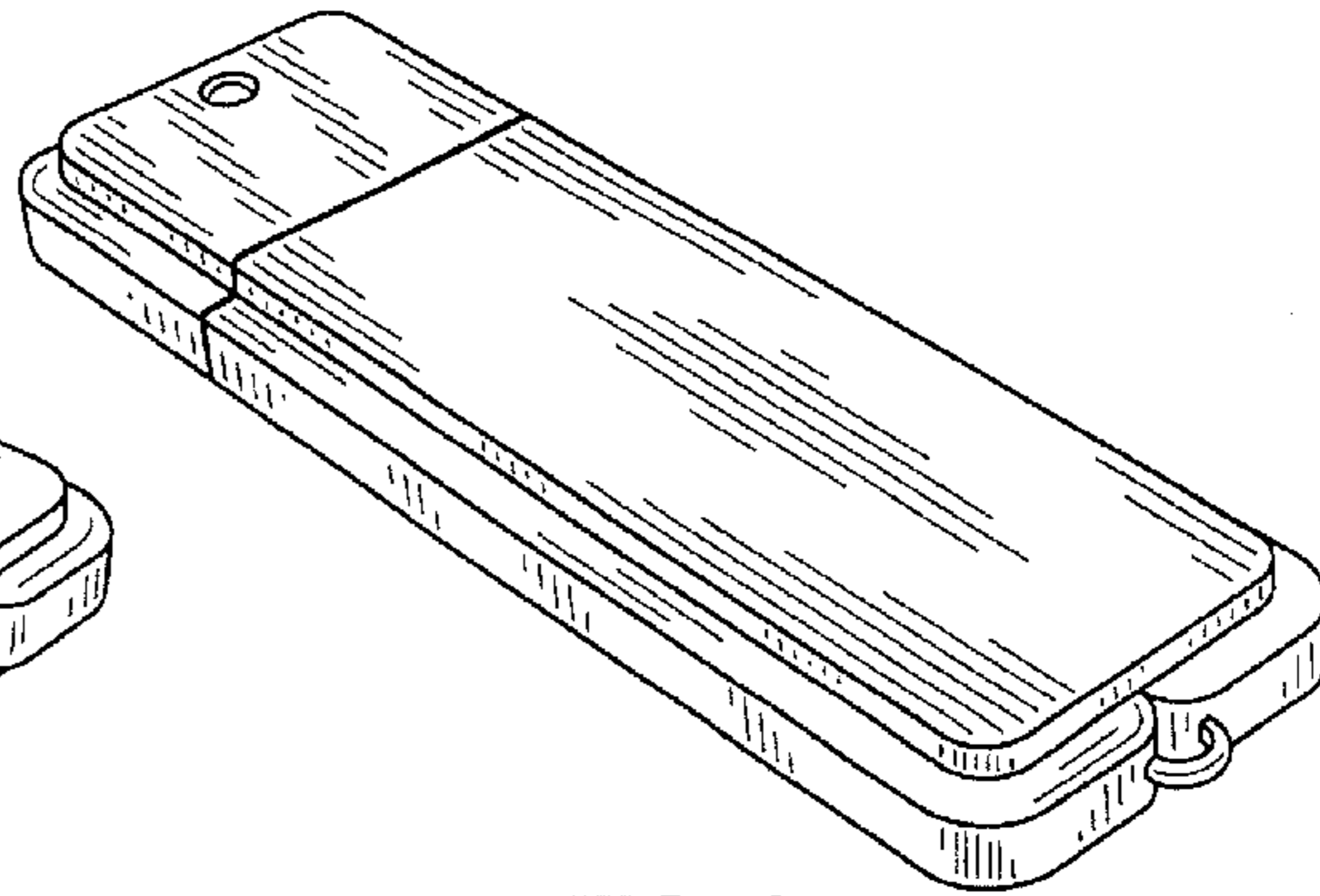


FIG. 4

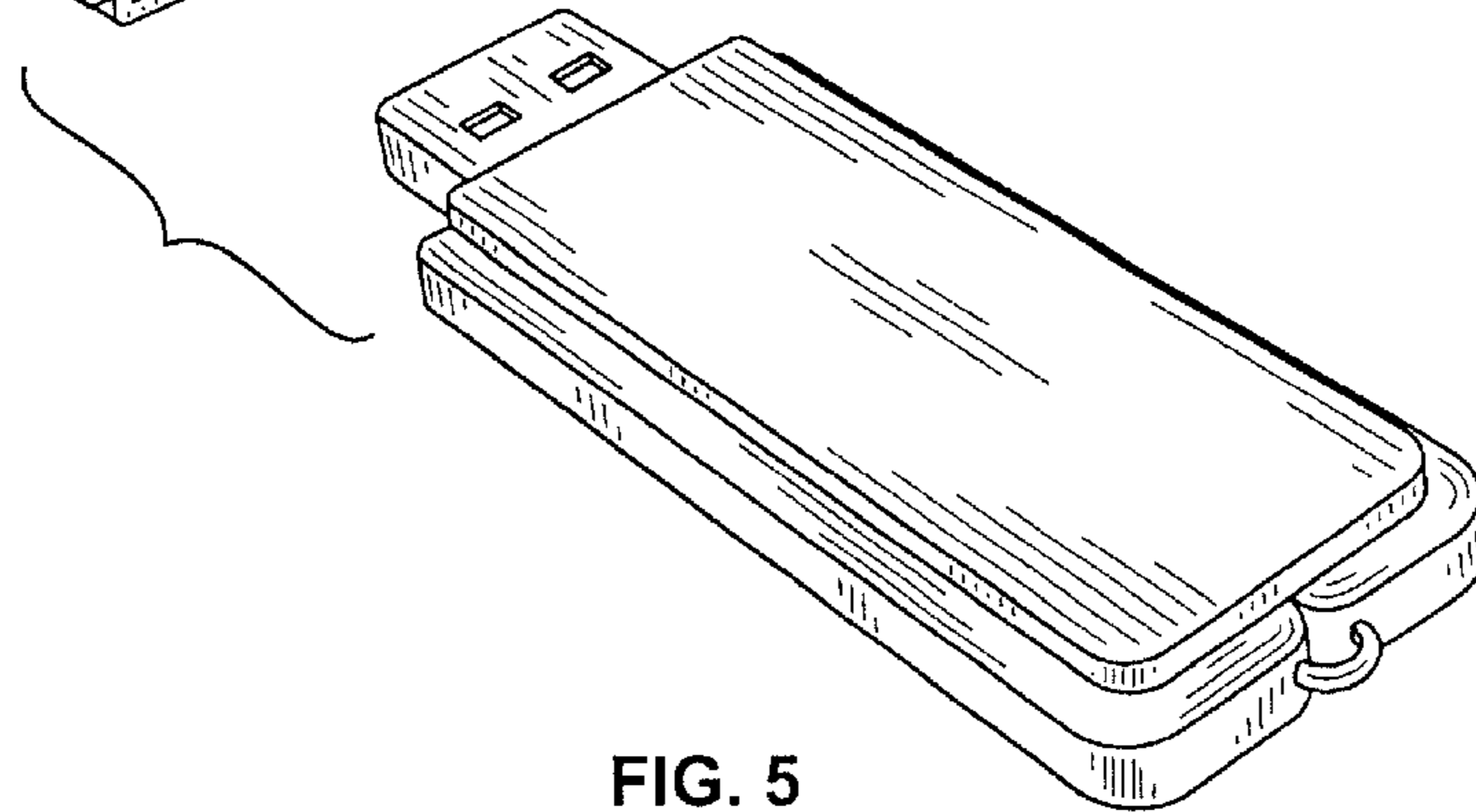
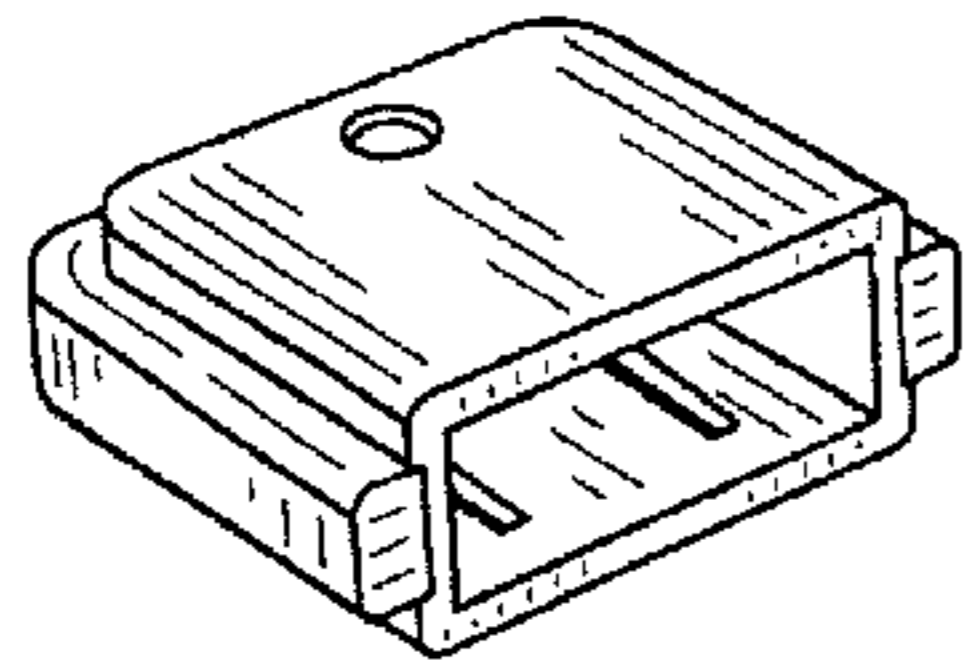


FIG. 5

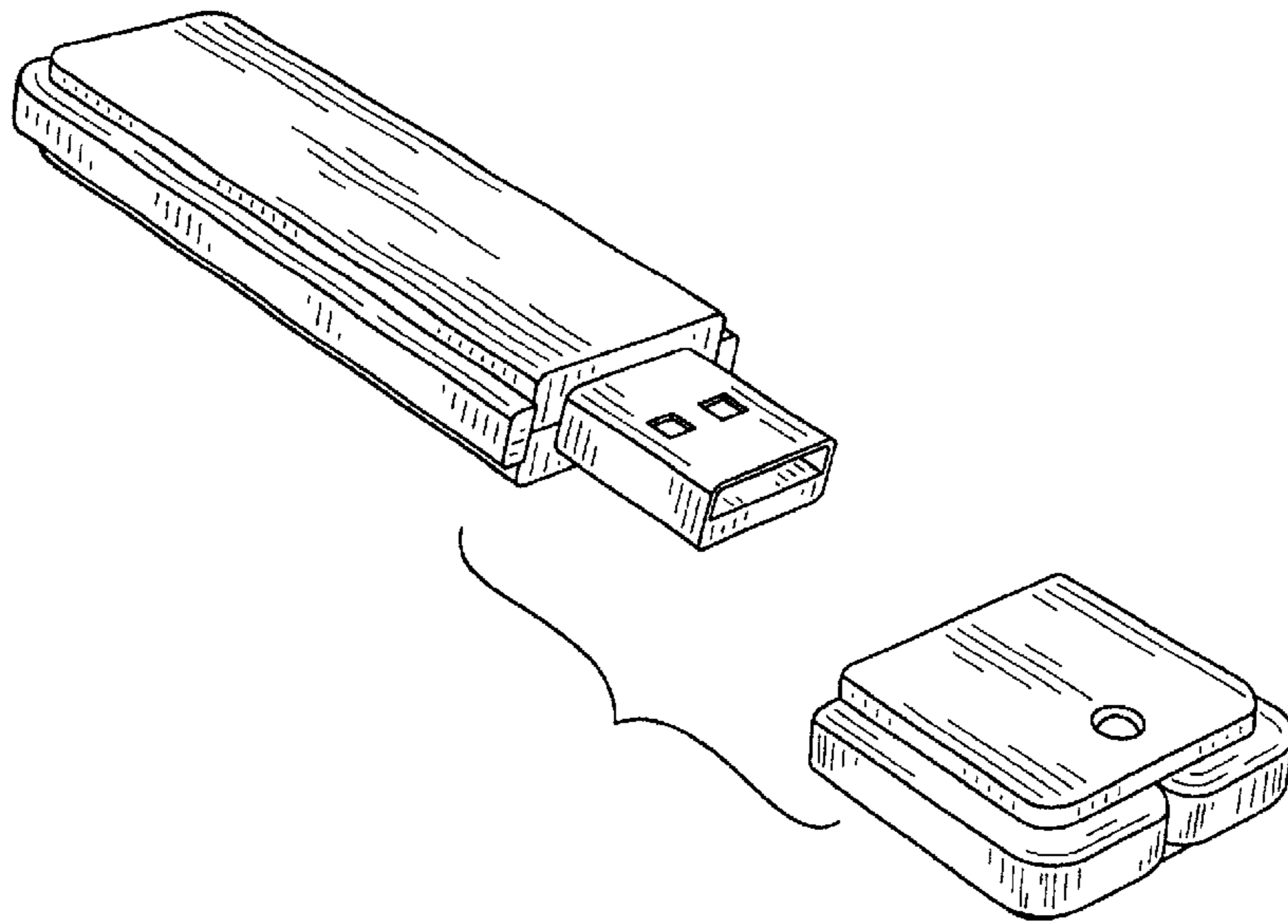


FIG. 6

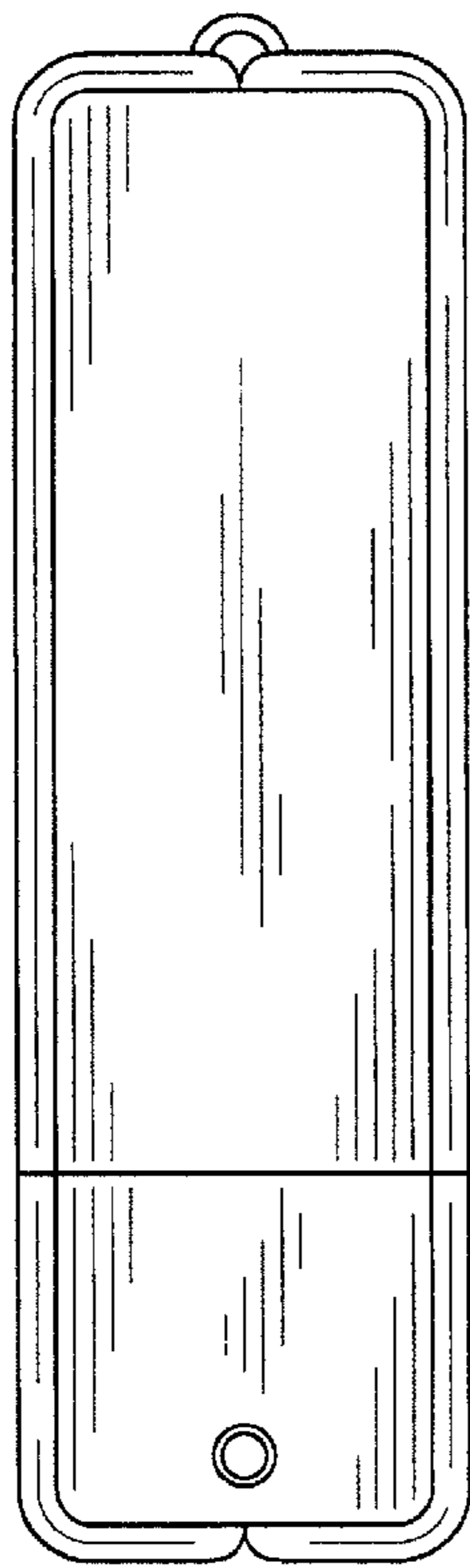


FIG. 7

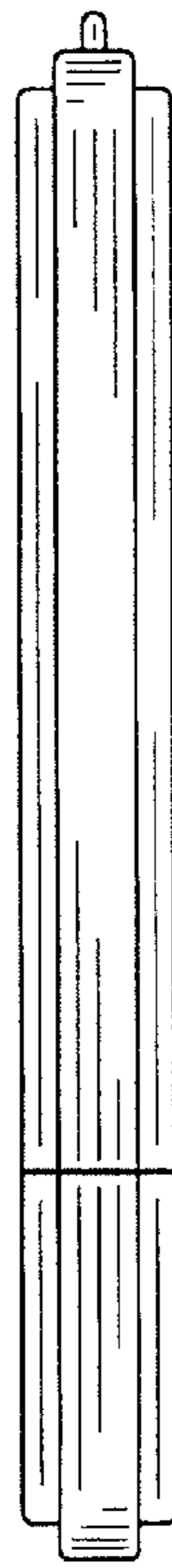


FIG. 8



FIG. 9

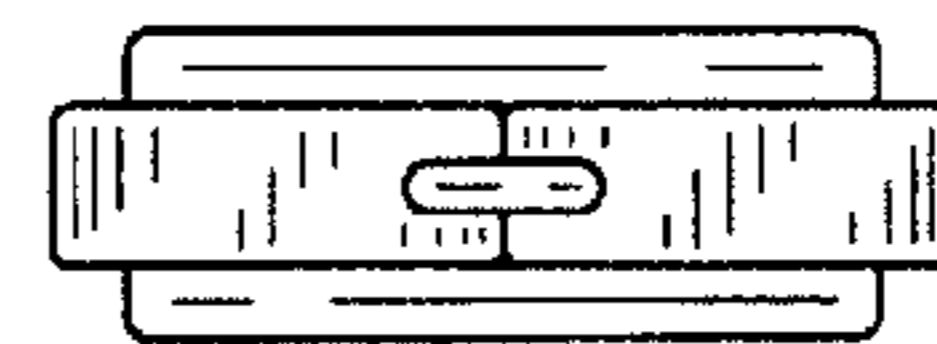


FIG. 10