

US00D542785S

(12) **United States Design Patent**
Chung et al.

(10) **Patent No.:** **US D542,785 S**

(45) **Date of Patent:** **** May 15, 2007**

(54) **COVER FOR CELLULAR PHONE
PROVIDED WITH CAMERA MODULE**

(75) Inventors: **Sung-Mo Chung**, Seoul (KR);
Jong-Seong Lee, Seoul (KR);
Chang-Hwan Hwang, Goyang-si (KR)

(73) Assignee: **Samsung Electronics Co., Ltd.** (KR)

(**) **Term:** **14 Years**

(21) **Appl. No.:** **29/221,579**

(22) **Filed:** **Jan. 17, 2005**

(30) **Foreign Application Priority Data**

Nov. 22, 2004 (KR) 30-2004-0035675

(51) **LOC (8) Cl.** **14-03**

(52) **U.S. Cl.** **D14/252; D16/208**

(58) **Field of Classification Search** D14/240,
D14/250–253; D3/201–218; 379/433.01,
379/446, 455; 455/575.1, 575.8; 206/701;
248/309.1, 311.2; D16/202–203, 208, 218
See application file for complete search history.

(56) **References Cited**

U.S. PATENT DOCUMENTS

D346,275 S	*	4/1994	Hayasaka et al.	D3/218
D348,355 S	*	7/1994	Scheid et al.	D3/218
D366,957 S	*	2/1996	Scheid et al.	D3/218
D425,907 S	*	5/2000	Frye et al.	D14/248
D450,737 S	*	11/2001	Suzuki	D16/202
D462,514 S	*	9/2002	Rivera et al.	D3/228
D462,677 S	*	9/2002	Eroma	D14/253
D488,497 S	*	4/2004	Suzuki	D16/218
D527,176 S	*	8/2006	Andre et al.	D3/218
D529,887 S	*	10/2006	Chung et al.	D14/138
D530,079 S	*	10/2006	Thomas et al.	D3/218

D530,713 S * 10/2006 Richter D14/253
2003/0103624 A1 * 6/2003 Hu 379/455

FOREIGN PATENT DOCUMENTS

WO DM/061671 * 10/2002

OTHER PUBLICATIONS

“Holster for iPod”, 1 p including photo, [online],
<URL:http://www.cellphoneshop.net/holsterforipod.html>,
site visited Oct. 25, 2006.*

* cited by examiner

Primary Examiner—Ian Simmons
Assistant Examiner—Carla Jobe Wright

(74) *Attorney, Agent, or Firm*—Cantor Colburn LLP

(57) **CLAIM**

We claim, the ornamental design for a cover for cellular phone provided with camera module, as shown and described.

DESCRIPTION

FIG. 1 is a top and front perspective view of a cover for cellular phone provided with camera module, showing our new design;

FIG. 2 is a front elevational view thereof;

FIG. 3 is a rear elevational view thereof;

FIG. 4 is a left side elevational view thereof;

FIG. 5 is a right side elevational view thereof;

FIG. 6 is a top elevational view thereof;

FIG. 7 is a bottom elevational view thereof; and,

FIG. 8 is a front perspective view thereof.

The broken line showing of an exemplary cell phone in FIG. 8 is included for illustrative purposes only and forms no part of the claimed design.

1 Claim, 5 Drawing Sheets

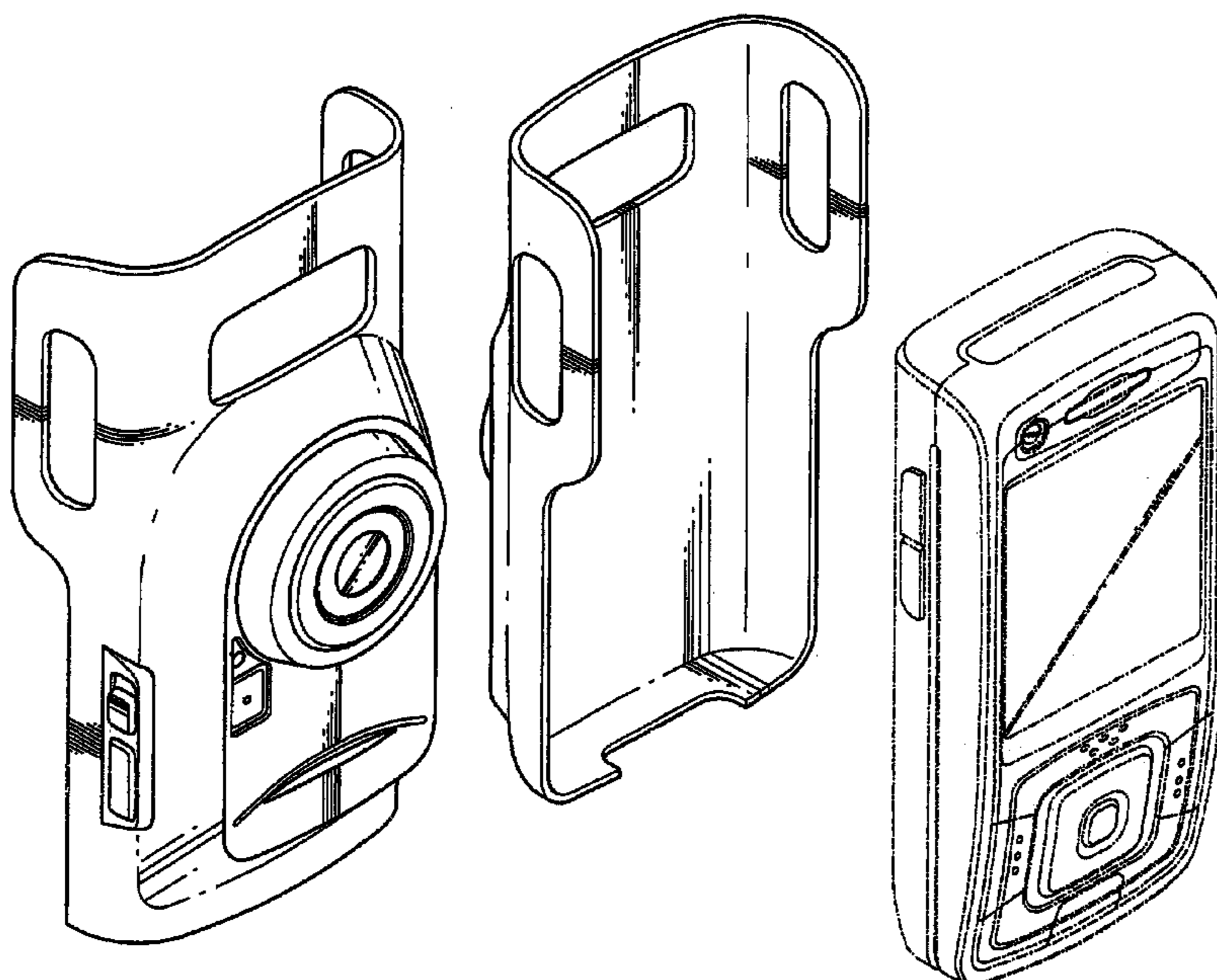


FIG. 1

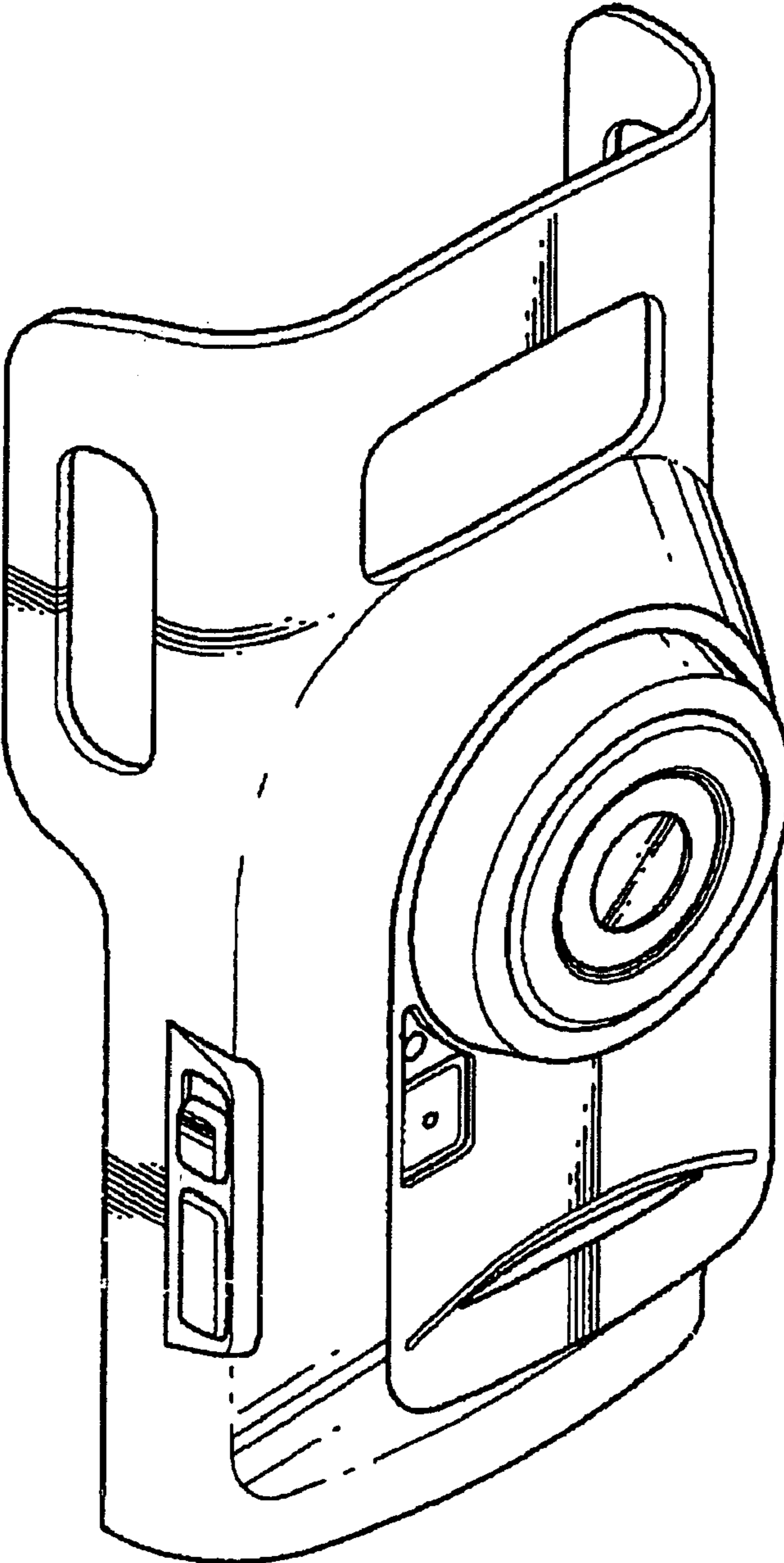


FIG.2

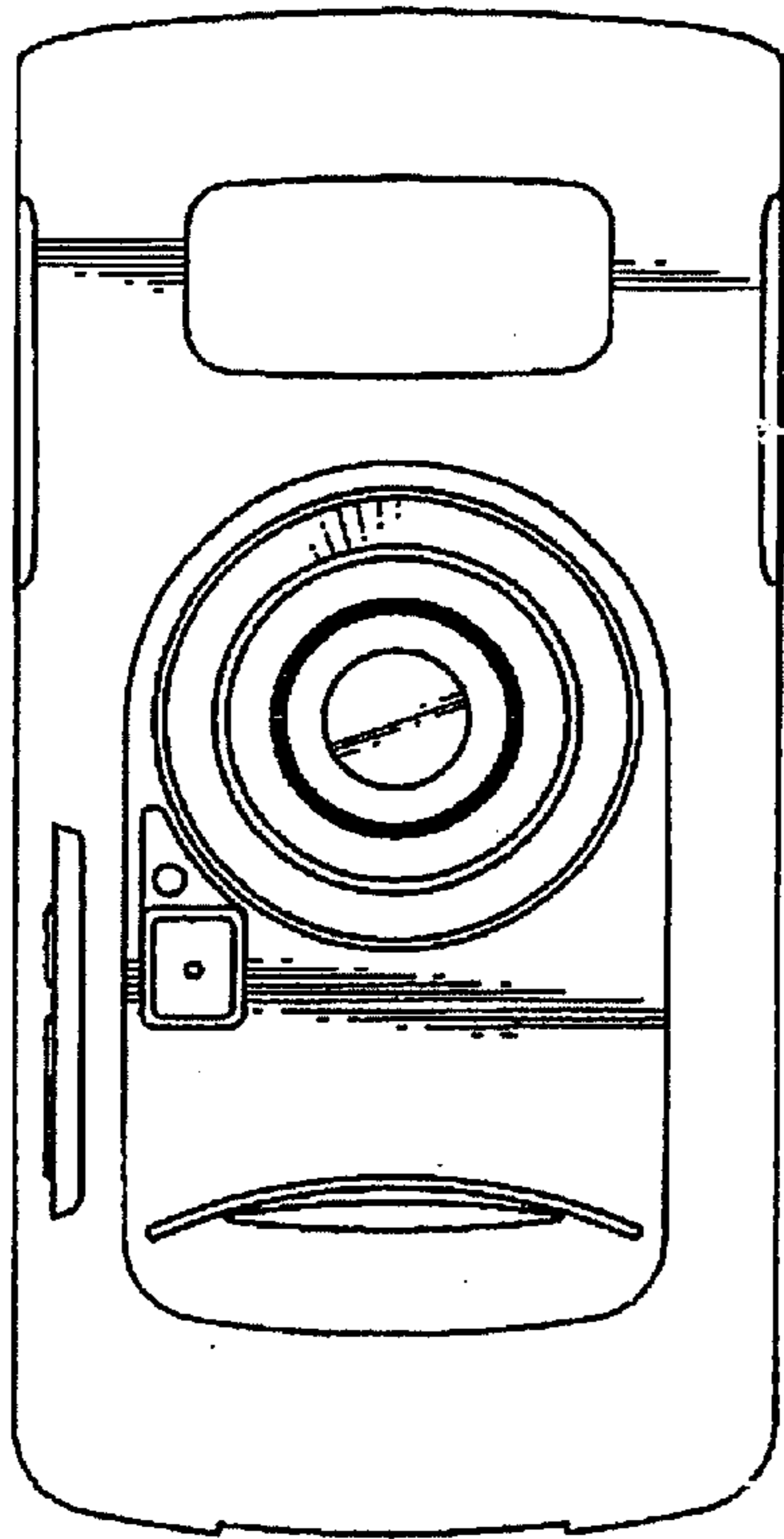


FIG.3

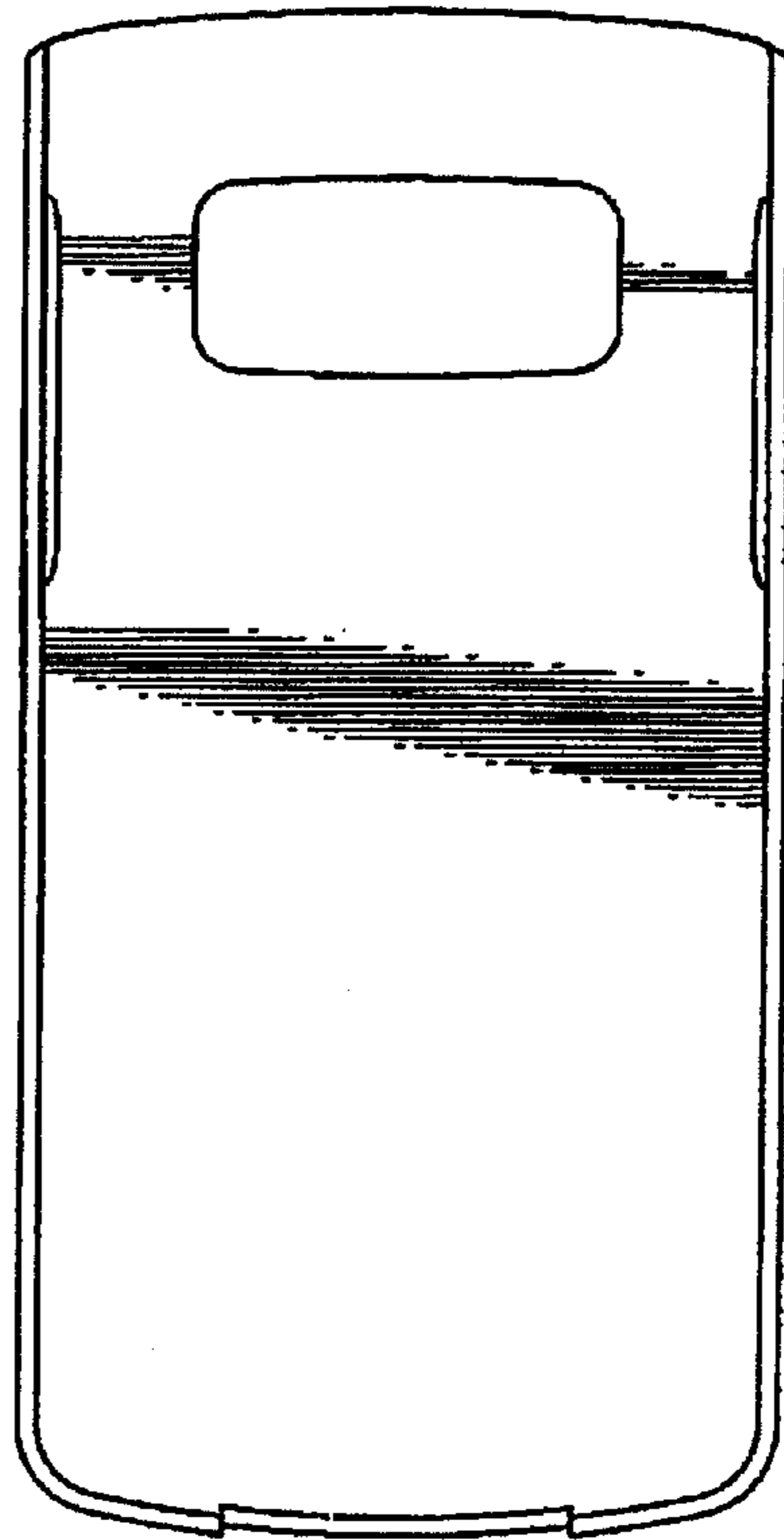


FIG. 4

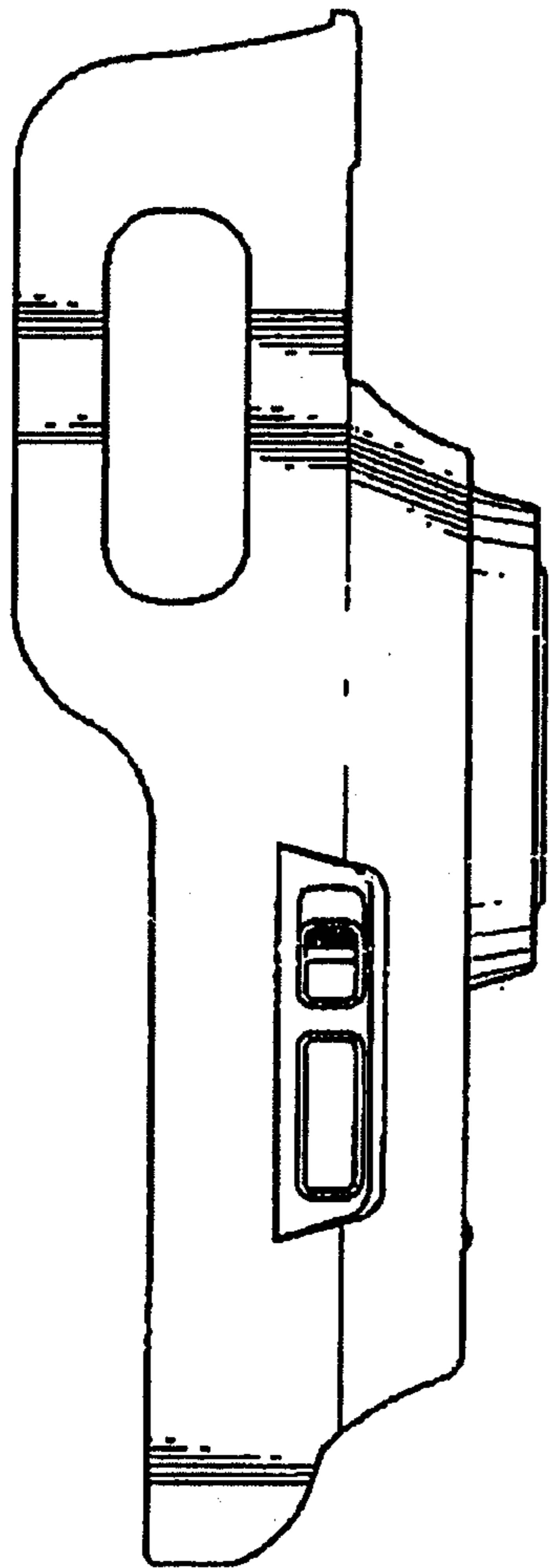


FIG. 5

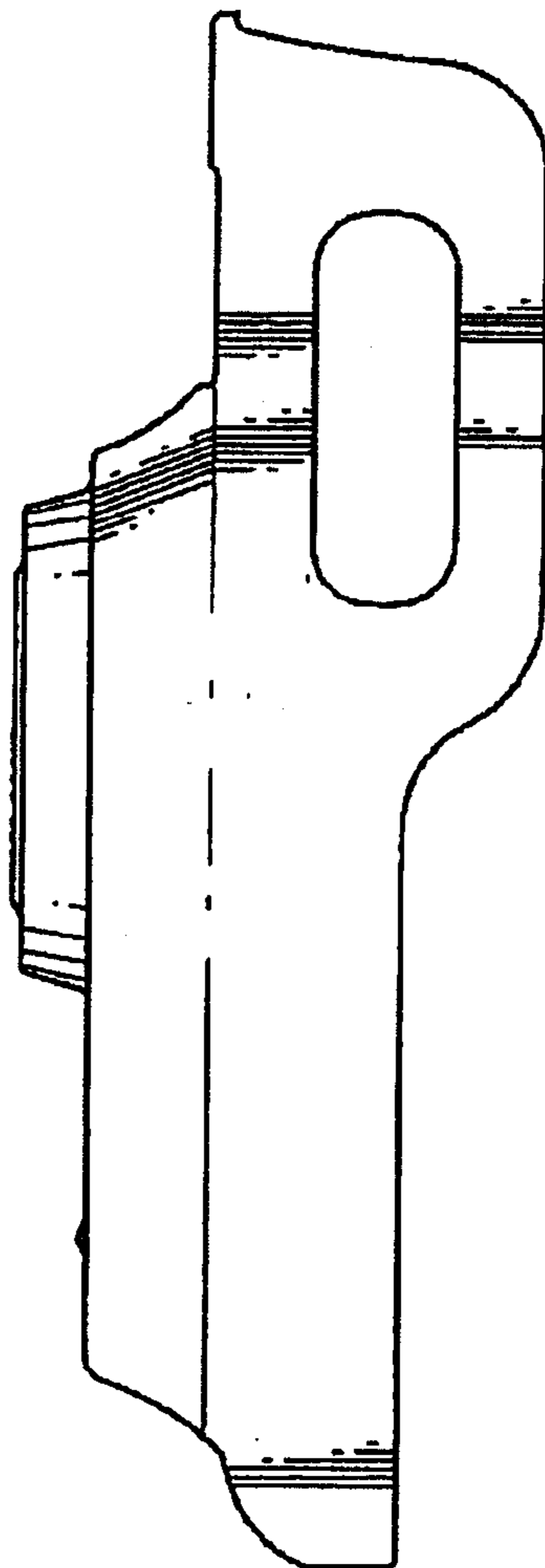


FIG. 6

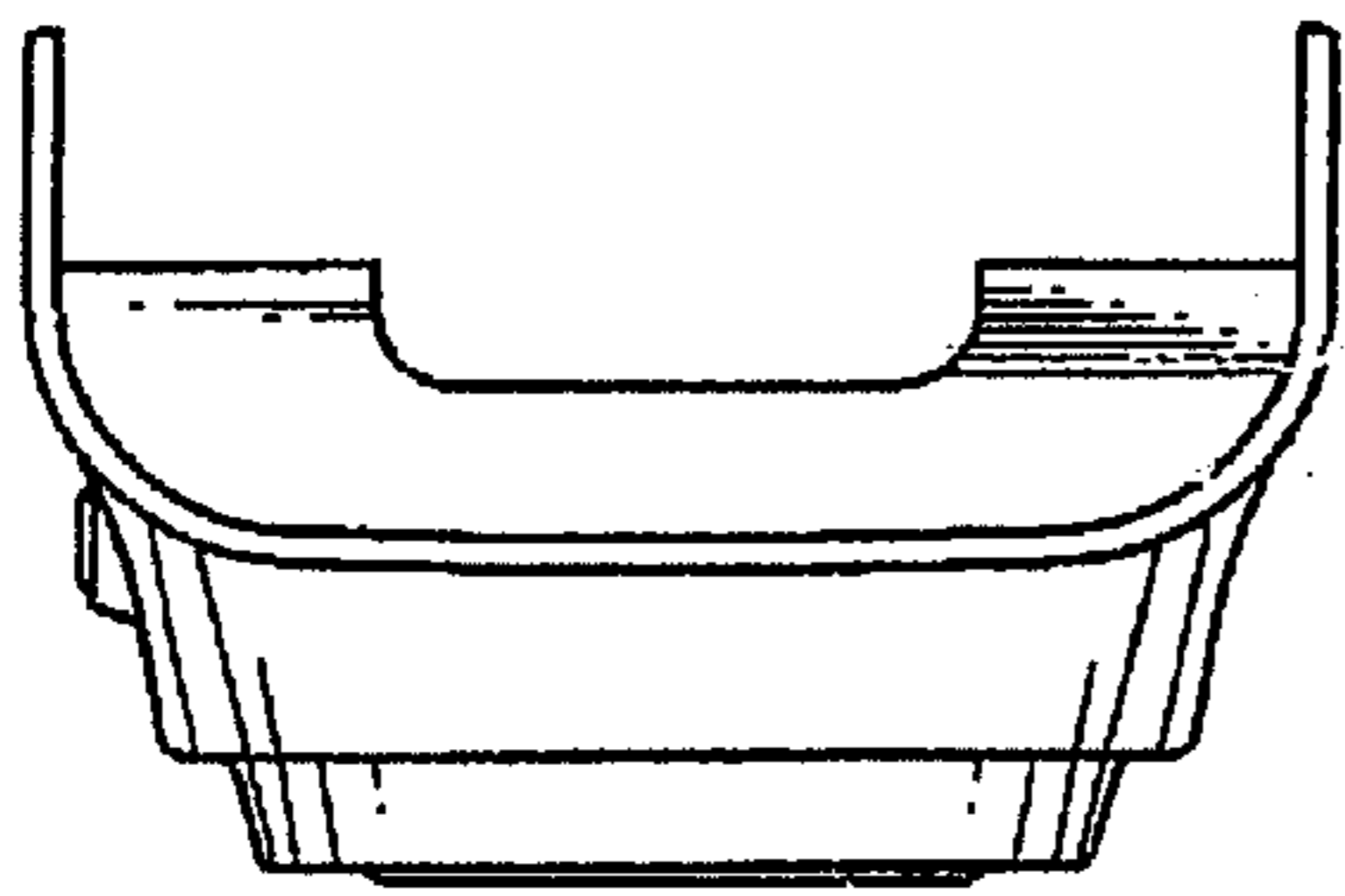


FIG. 7

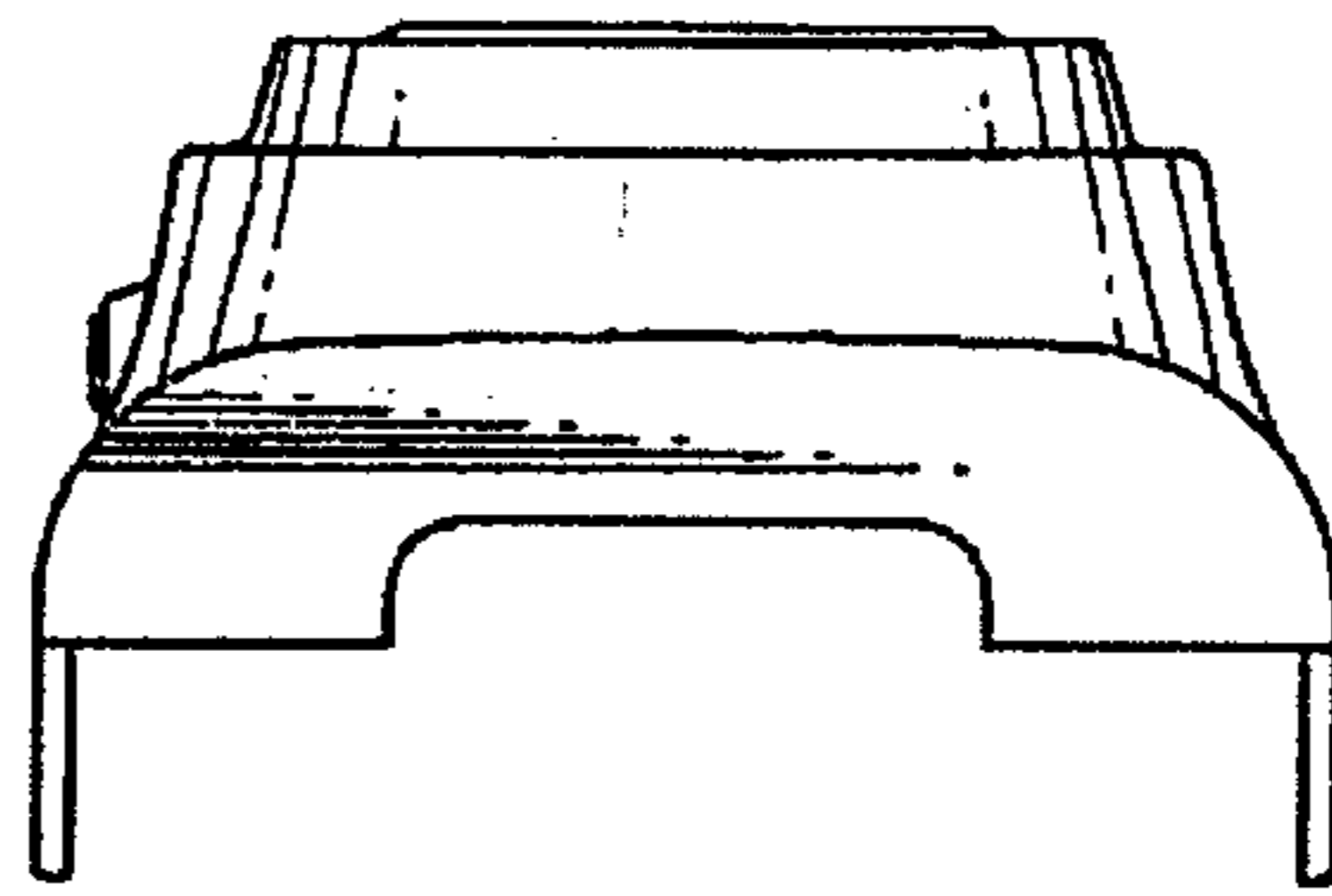


FIG. 8

