



US00D542784S

(12) **United States Design Patent**
Franck et al.

(10) **Patent No.:** **US D542,784 S**

(45) **Date of Patent:** **** May 15, 2007**

(54) **CORDLESS TELEPHONE BASE**

(75) Inventors: **Christopher J. Franck**, Decatur, GA
(US); **Jeffrey R. Beasley**, Suwanee, GA
(US); **Alina Butan**, Fort Lauderdale, FL
(US)

(73) Assignee: **General Instrument Corporation**,
Horsham, PA (US)

(**) Term: **14 Years**

(21) Appl. No.: **29/244,239**

(22) Filed: **Dec. 7, 2005**

(51) **LOC (8) Cl.** **14-03**

(52) **U.S. Cl.** **D14/240**

(58) **Field of Classification Search** D14/240,
D14/242, 246, 192, 223, 140.1, 140.4, 356,
D14/358, 249, 248; D13/184, 123; 181/129-130;
379/430, 431, 433.01, 420.03, 957, 52, 106.1,
379/333-337, 387.01, 399.01, 413.02, 413.04;
455/569.1, 510, 524; 439/717; 361/685, 726
See application file for complete search history.

(56) **References Cited**

U.S. PATENT DOCUMENTS

D260,762 S * 9/1981 Peroni D13/184
D309,728 S * 8/1990 Nuttall et al. D14/356
5,130,891 A * 7/1992 Christie 361/726
D339,807 S * 9/1993 Tattari et al. D14/240

D346,607 S * 5/1994 Bhargava et al. D14/242
D357,684 S * 4/1995 Moreland D14/240
D374,222 S * 10/1996 Brandt D14/471
D441,744 S * 5/2001 Miyazaki D14/240
6,891,721 B2 * 5/2005 Huang 361/685
D520,502 S * 5/2006 Xu et al. D14/356
D525,971 S * 8/2006 Ayala et al. D14/356
2005/0041387 A1 * 2/2005 Lee 361/685

* cited by examiner

Primary Examiner—Charles A. Rademaker

(74) *Attorney, Agent, or Firm*—Benjamin D. Driscoll

(57) **CLAIM**

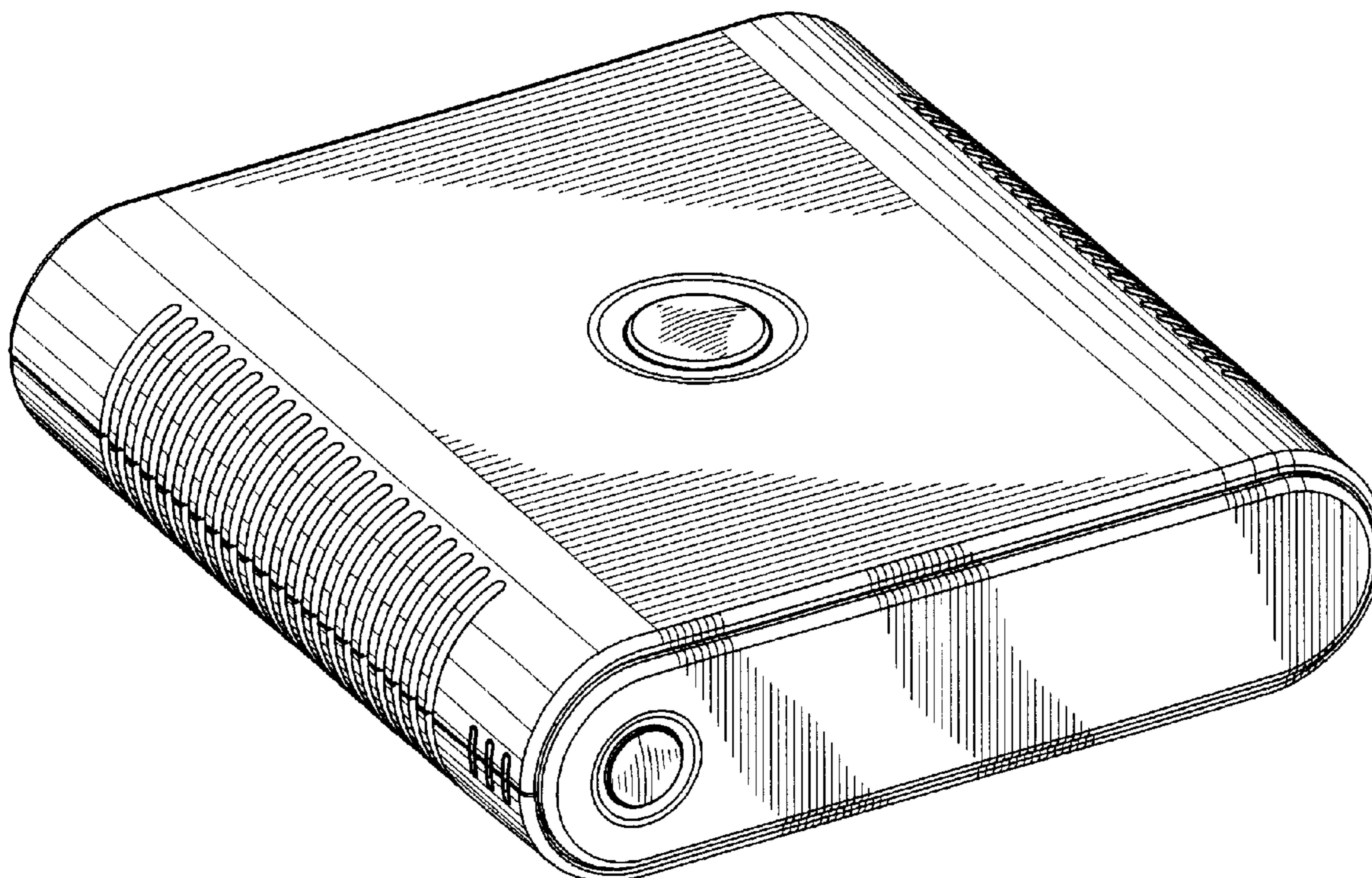
We claim the ornamental design for a cordless telephone base, as shown and described.

DESCRIPTION

FIG. 1 is a front perspective view of a cordless telephone base showing our new design;
FIG. 2 is a top plan view thereof;
FIG. 3 is a bottom plan view thereof;
FIG. 4 is a side elevation thereof;
FIG. 5 is a side elevation of the side opposite that shown in FIG. 4;
FIG. 6 is a front elevation thereof; and,
FIG. 7 is a rear elevation thereof.

The broken lines in the figure drawings are for illustrative purposes only and form no part of the claimed design.

1 Claim, 4 Drawing Sheets



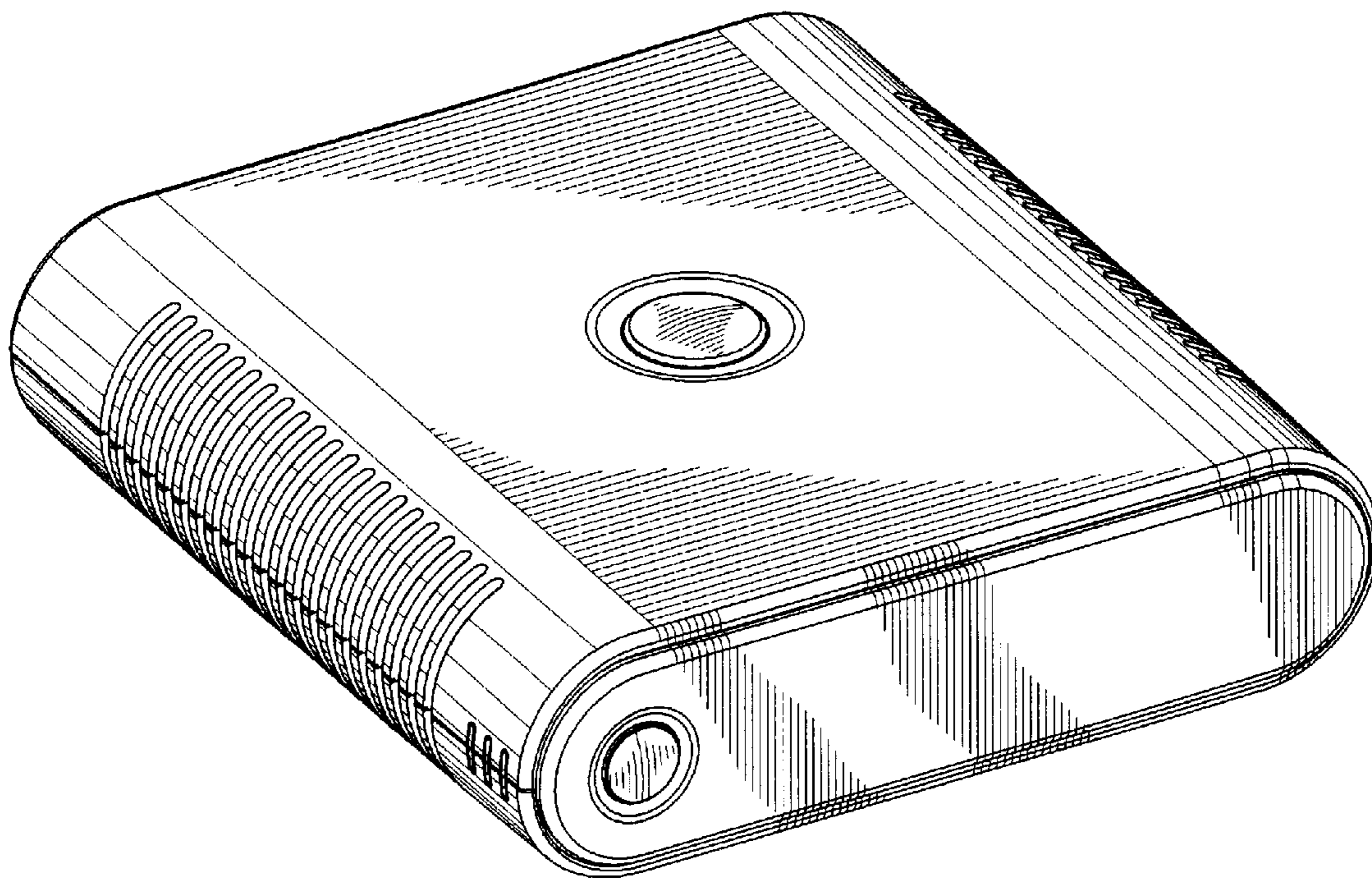


FIG. 1

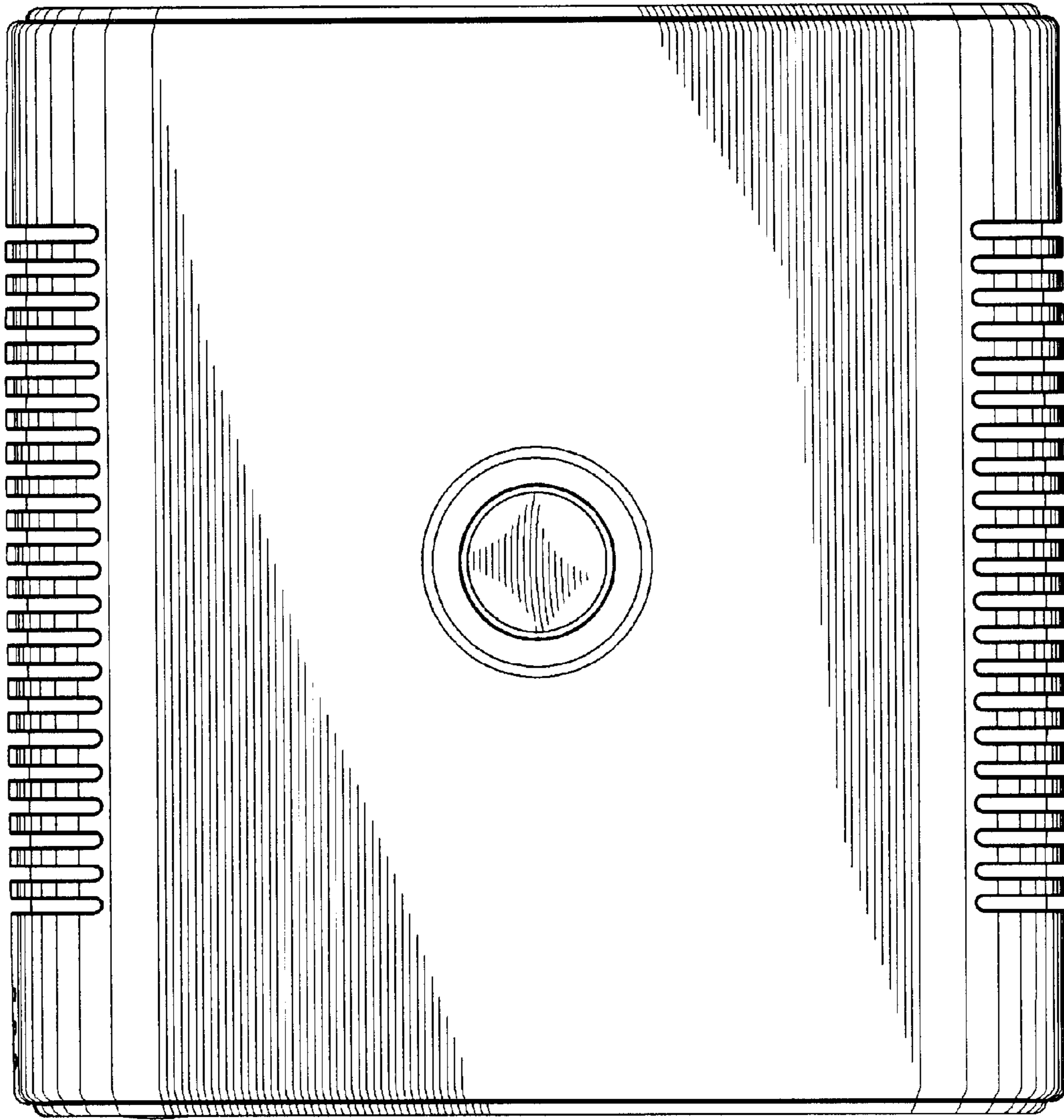


FIG. 2

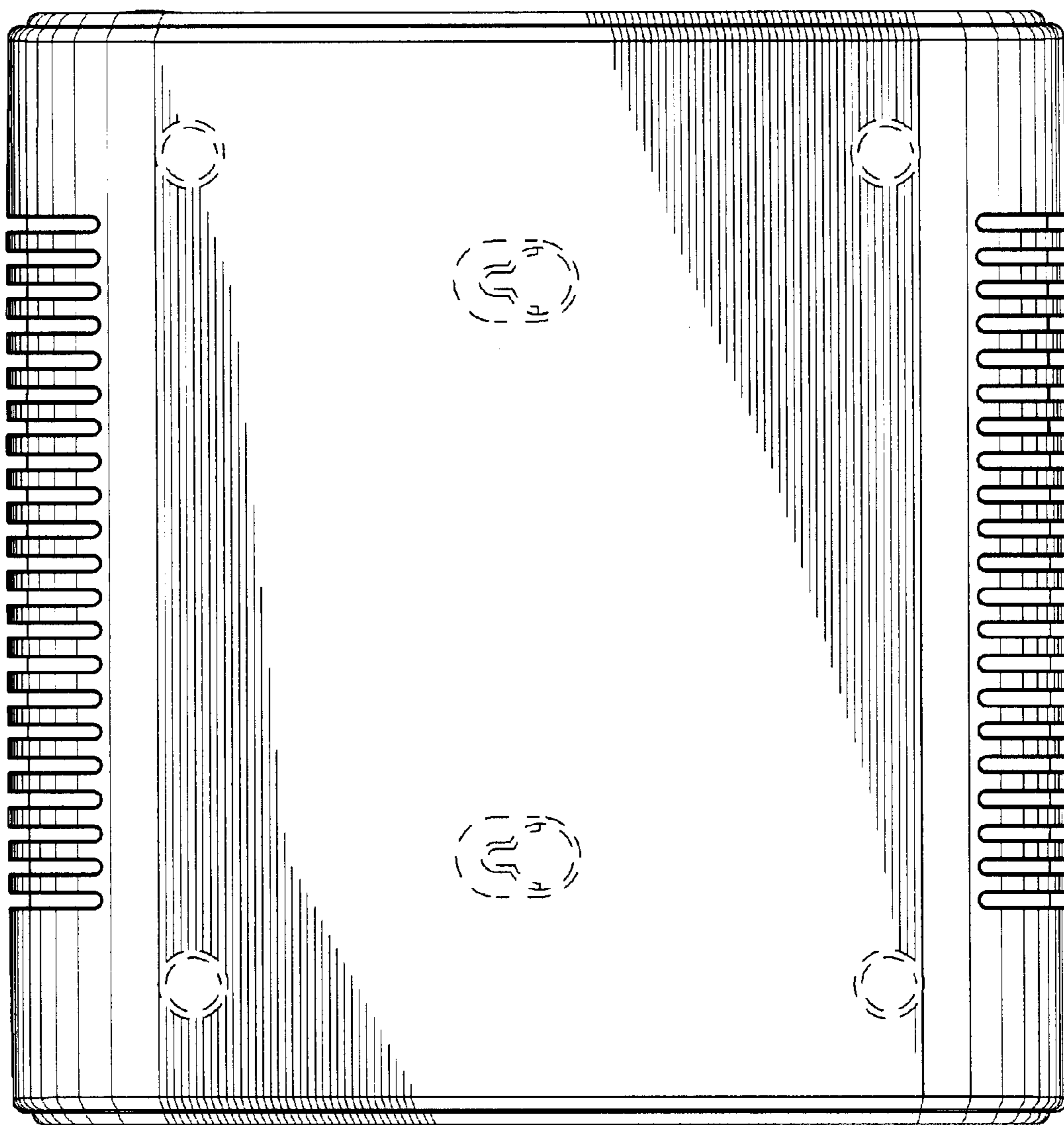


FIG. 3

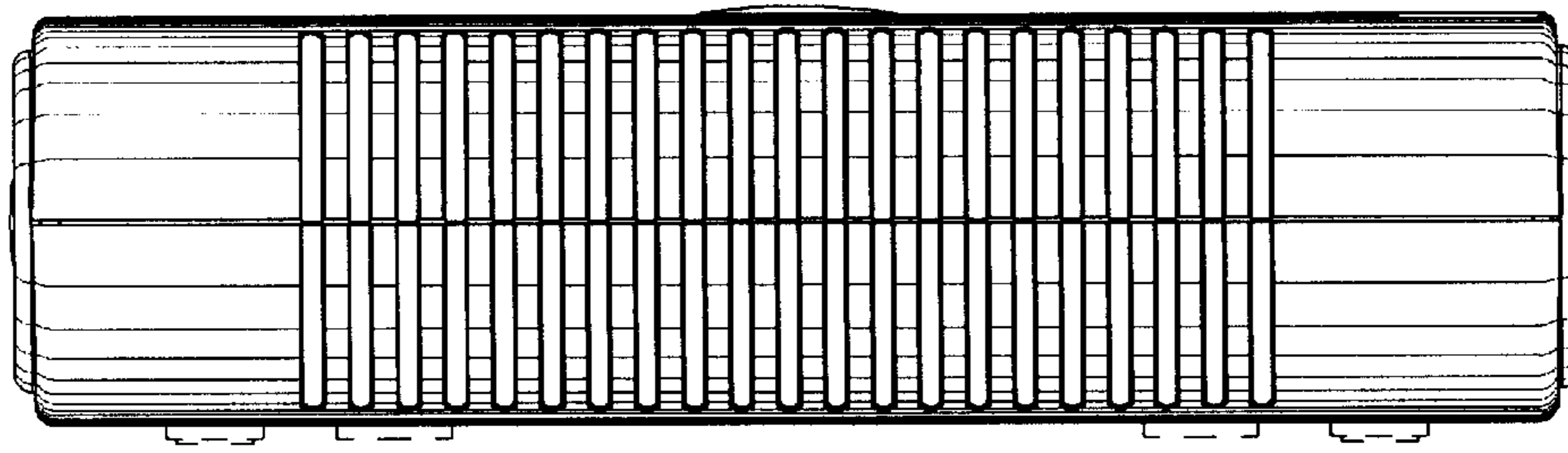


FIG. 4

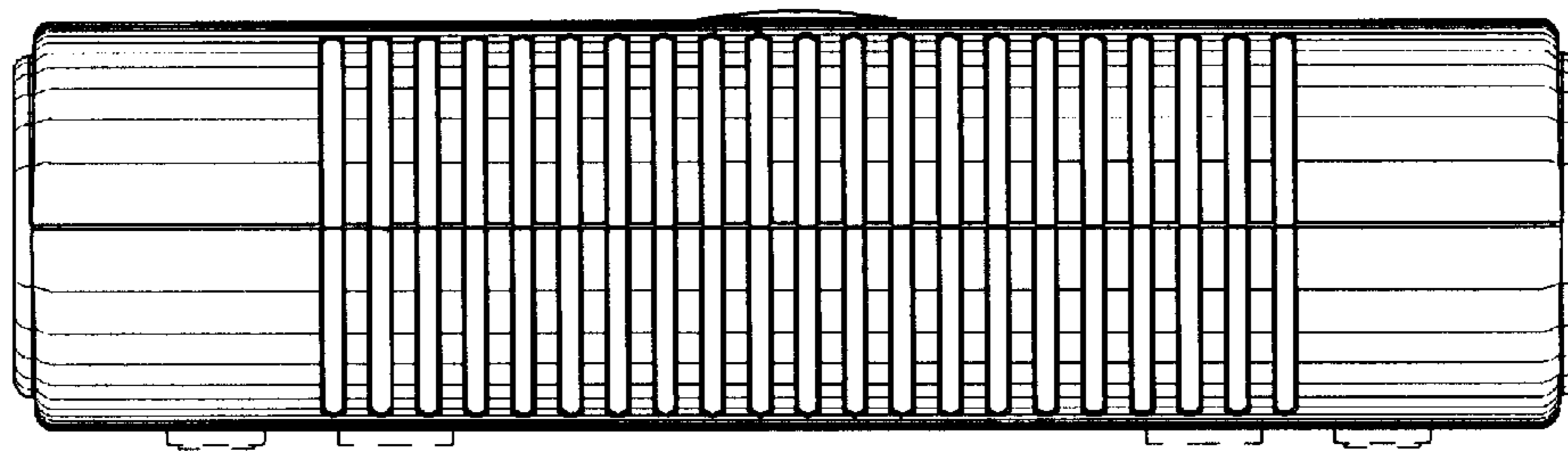


FIG. 5

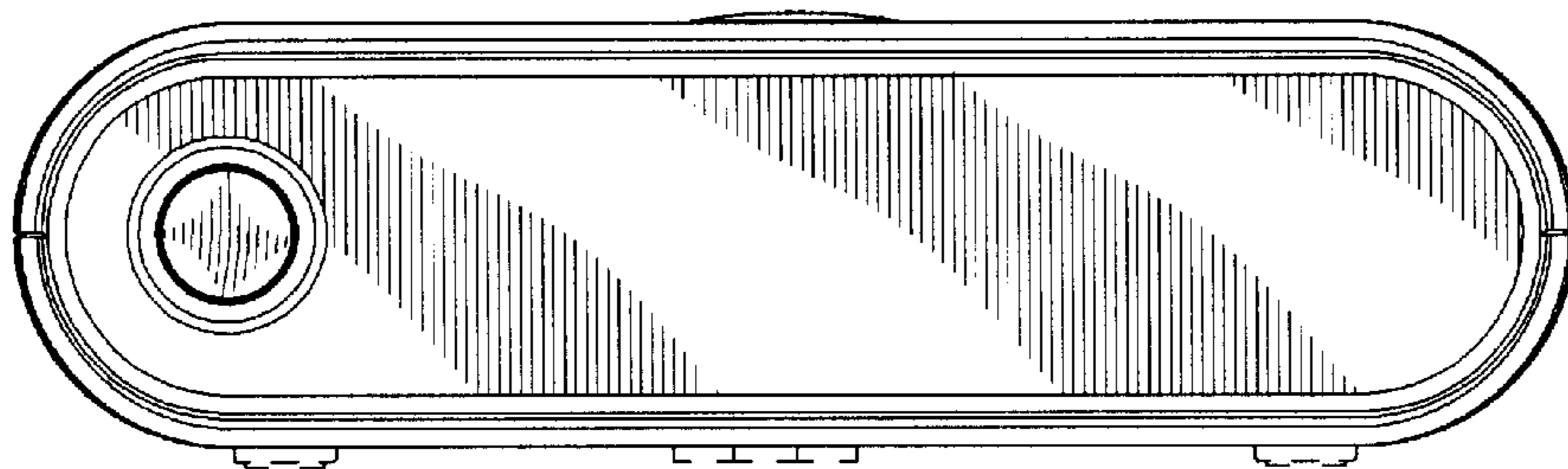


FIG. 6

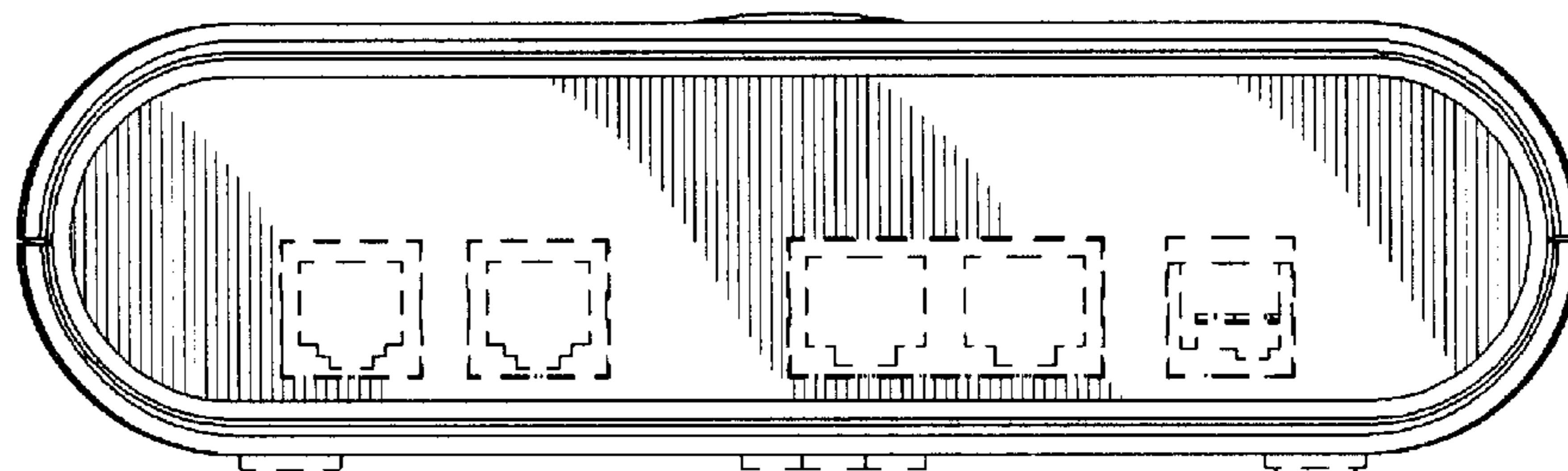


FIG. 7