



US00D542780S

(12) **United States Design Patent**
Nguyen et al.

(10) **Patent No.:** **US D542,780 S**

(45) **Date of Patent:** **** May 15, 2007**

(54) **FRONT PORTION OF DIAPHRAGM**

(75) Inventors: **An D. Nguyen**, West Hills, CA (US);
Charles M. Sprinkle, Ventura, CA (US)

(73) Assignee: **Harman International Industries, Incorporated**, Northridge, CA (US)

(**) Term: **14 Years**

(21) Appl. No.: **29/220,692**

(22) Filed: **Jan. 4, 2005**

(51) **LOC (8) Cl.** **14-99**

(52) **U.S. Cl.** **D14/217**

(58) **Field of Classification Search** D14/204,
D14/207, 217; D7/359, 388, 409, 554.3;
D9/425, 431, 456; 181/143-148, 150-153,
181/198-199; 206/445, 511, 558, 561, 564;
220/4.28, 669, 693, 662; 381/306, 333, 345,
381/300-302, 361-364, 386-388, 332, 336;
211/14, 59.4, 74, 126.2; 229/406-407, 908;
222/216

See application file for complete search history.

(56) **References Cited**

U.S. PATENT DOCUMENTS

1,351,285 A * 8/1920 Chess D7/554.3
1,608,046 A * 11/1926 Stanley 220/669
D192,036 S * 1/1962 Chess D7/552.1

3,264,120 A * 8/1966 Westcott 229/407
D230,829 S * 3/1974 Roper D9/425
D241,802 S * 10/1976 Beaubian D7/505
D251,176 S * 2/1979 Lewis D7/359
D318,420 S * 7/1991 Amelse D9/425
5,240,150 A * 8/1993 Palmon 222/216
D393,980 S * 5/1998 Kellermann D7/409
D424,941 S * 5/2000 Boutour D9/456
D451,347 S * 12/2001 Kleckauskas et al. D7/552.1
D473,098 S * 4/2003 Wingeier D7/359
D473,245 S * 4/2003 Heitmann D15/28
6,648,138 B1 * 11/2003 Kelly 206/564

* cited by examiner

Primary Examiner—Nanda Bondade

(74) *Attorney, Agent, or Firm*—Plumsea Law Group, LLC

(57) **CLAIM**

We claim the ornamental for a front portion of a diaphragm, as shown and described.

DESCRIPTION

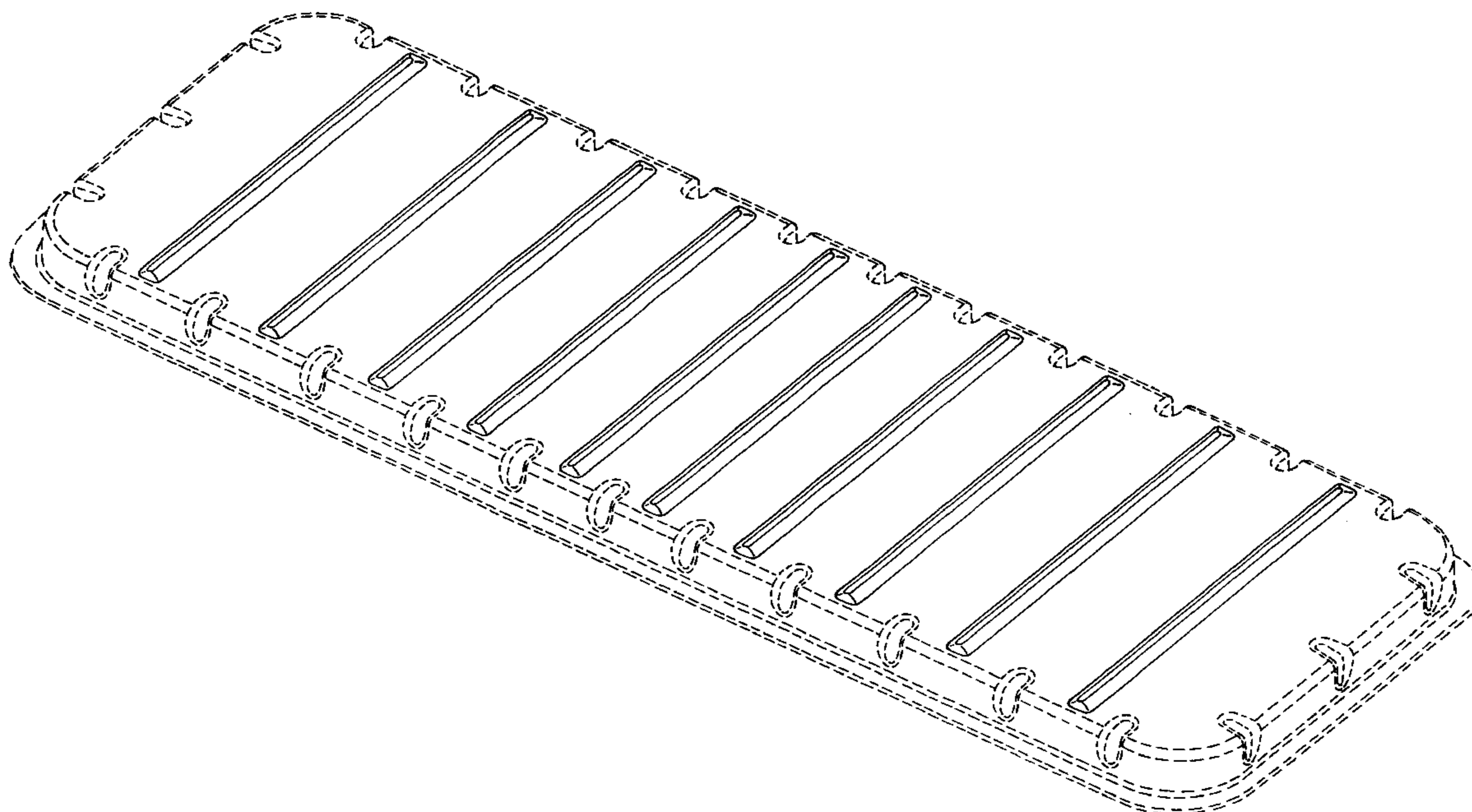
FIG. 1 is a top perspective view of a front portion of a diaphragm of the present invention;

FIG. 2 is a bottom perspective view thereof; and,

FIG. 3 is a top view thereof with a surround.

The ornamental design which is claimed is shown in solid lines in the drawings. Any broken lines in the drawings are for illustrative purposes only and form no part of the claimed design.

1 Claim, 3 Drawing Sheets



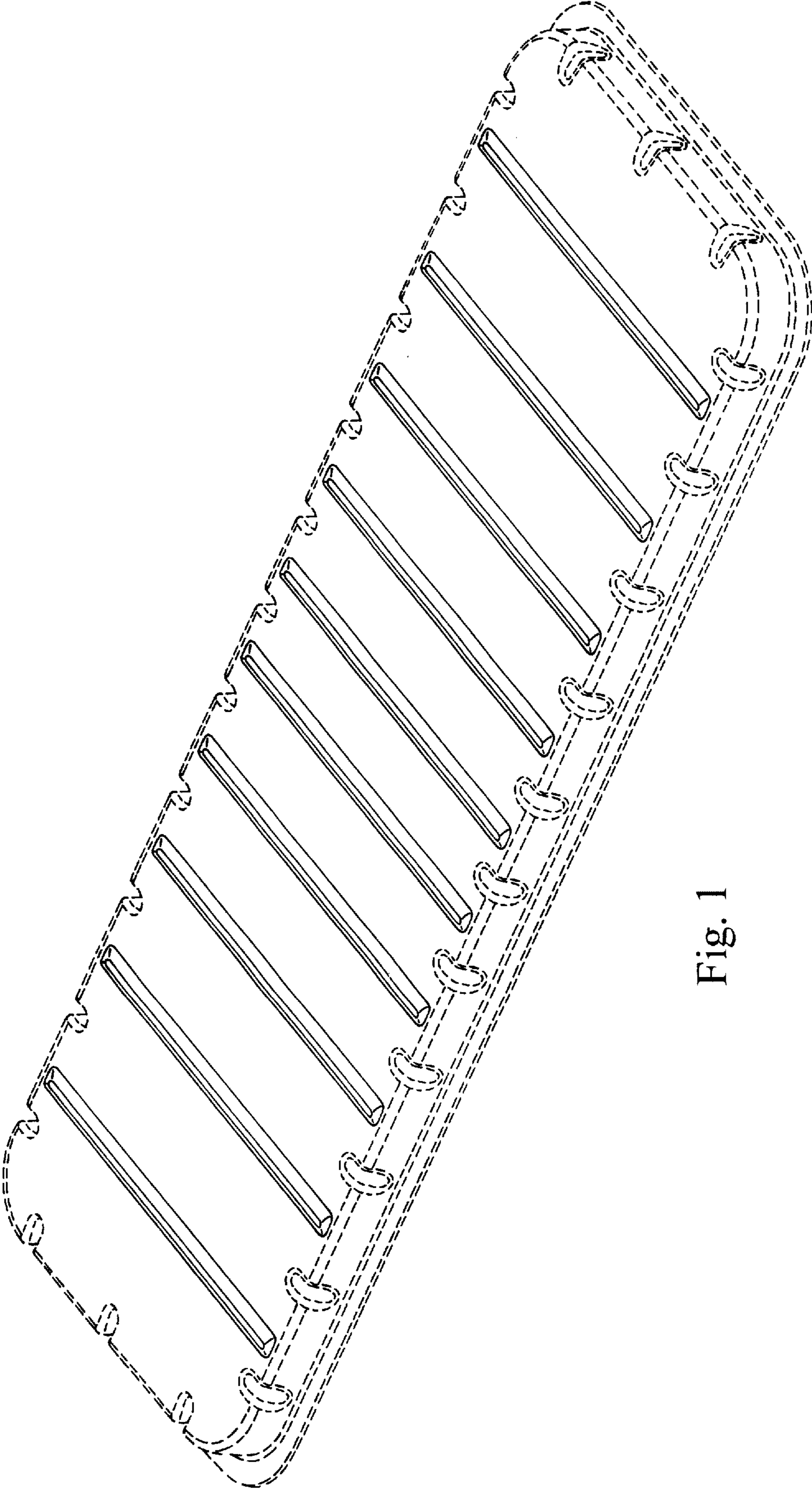


Fig. 1

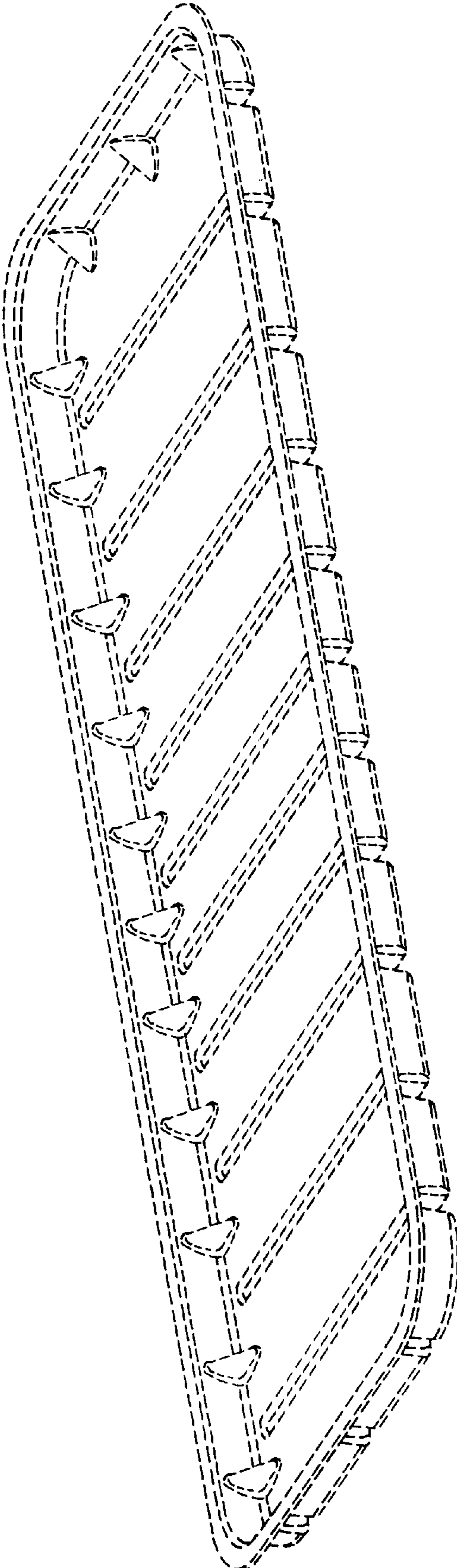


Fig. 2

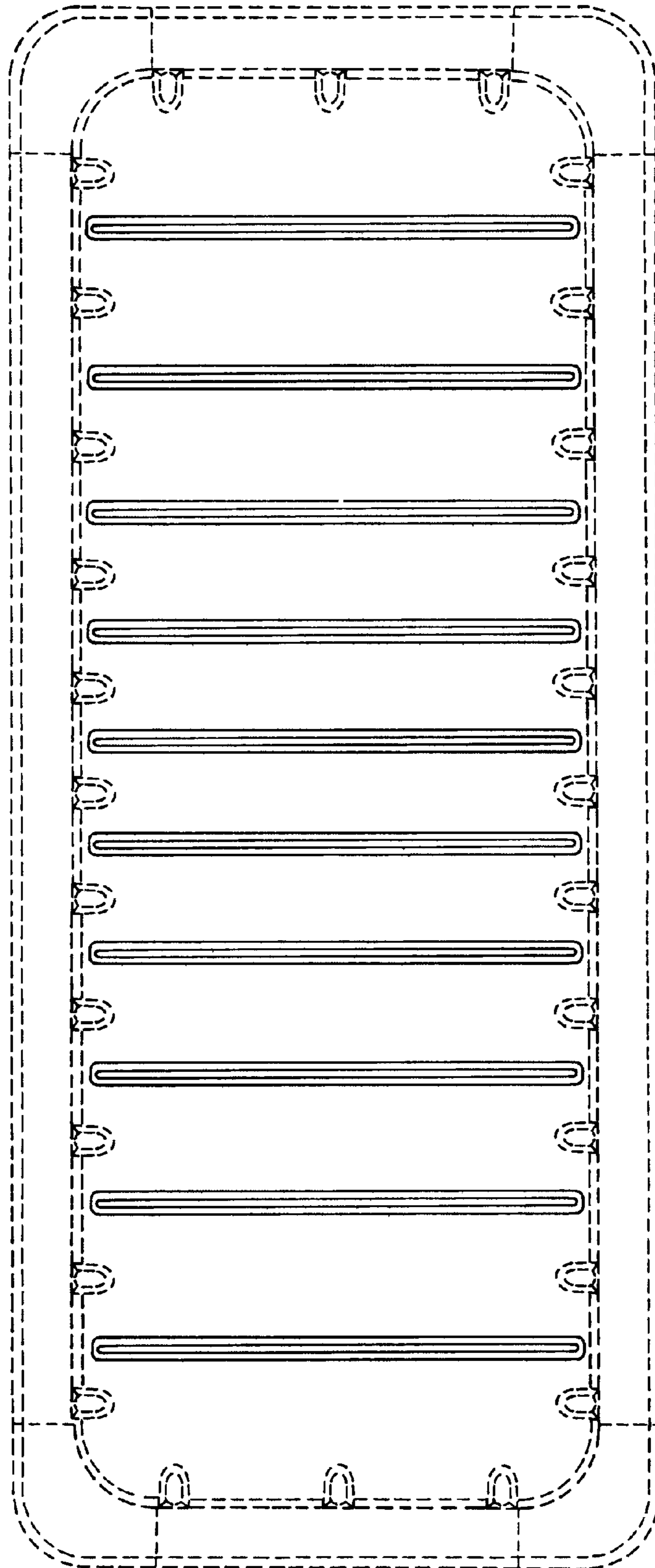


Fig. 3