



US00D542779S

(12) **United States Design Patent**
Pantaleone

(10) **Patent No.:** **US D542,779 S**

(45) **Date of Patent:** **** May 15, 2007**

(54) **SPEAKER**

(76) **Inventor:** **Pietro Pantaleone**, Via Marconi, 18,
Potenza Picena (IT), 62018

(**) **Term:** **14 Years**

(21) **Appl. No.:** **29/256,979**

(22) **Filed:** **Mar. 27, 2006**

(51) **LOC (8) Cl.** **14-01**

(52) **U.S. Cl.** **D14/216**

(58) **Field of Classification Search** D14/204,
D14/209-216, 221; 181/143-144, 147-148,
181/150, 157, 198-199, 151, 153; 381/300-302,
381/306, 333, 345, 361-364, 386-388, 332,
381/336

See application file for complete search history.

(56) **References Cited**

U.S. PATENT DOCUMENTS

- D186,670 S * 11/1959 Durbin D14/216
- D188,542 S 8/1960 Levy et al.
- D197,716 S * 3/1964 Boldt et al. D14/216

- D289,041 S 3/1987 Bittencourt
- D400,884 S 11/1998 Christie, II
- D442,945 S 5/2001 Mahgerefteh
- D448,017 S * 9/2001 Hasbrook D14/216

* cited by examiner

Primary Examiner—Nanda Bondade

(74) *Attorney, Agent, or Firm*—Amster, Rothstein &
Ebenstein, LLP

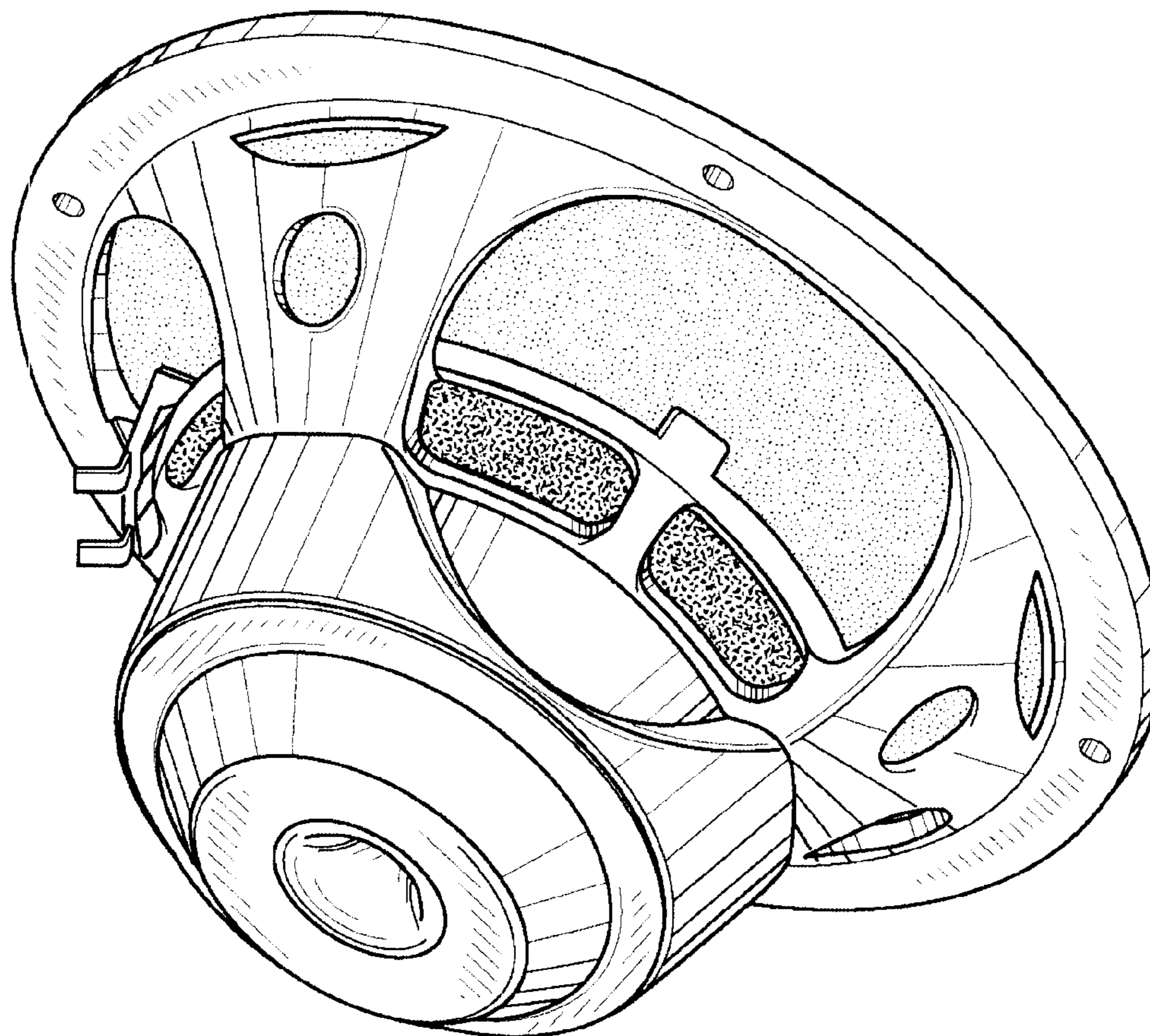
(57) **CLAIM**

The ornamental design for an speaker, as shown and described.

DESCRIPTION

FIG. 1 is a bottom perspective view of a speaker showing my new design;
 FIG. 2 is bottom plan view thereof;
 FIG. 3 is a right side perspective view thereof;
 FIG. 4 is a left side perspective view thereof;
 FIG. 5 is a left side elevational view thereof; and,
 FIG. 6 is a front elevational view thereof, the rear elevational view being a mirror image.

1 Claim, 3 Drawing Sheets



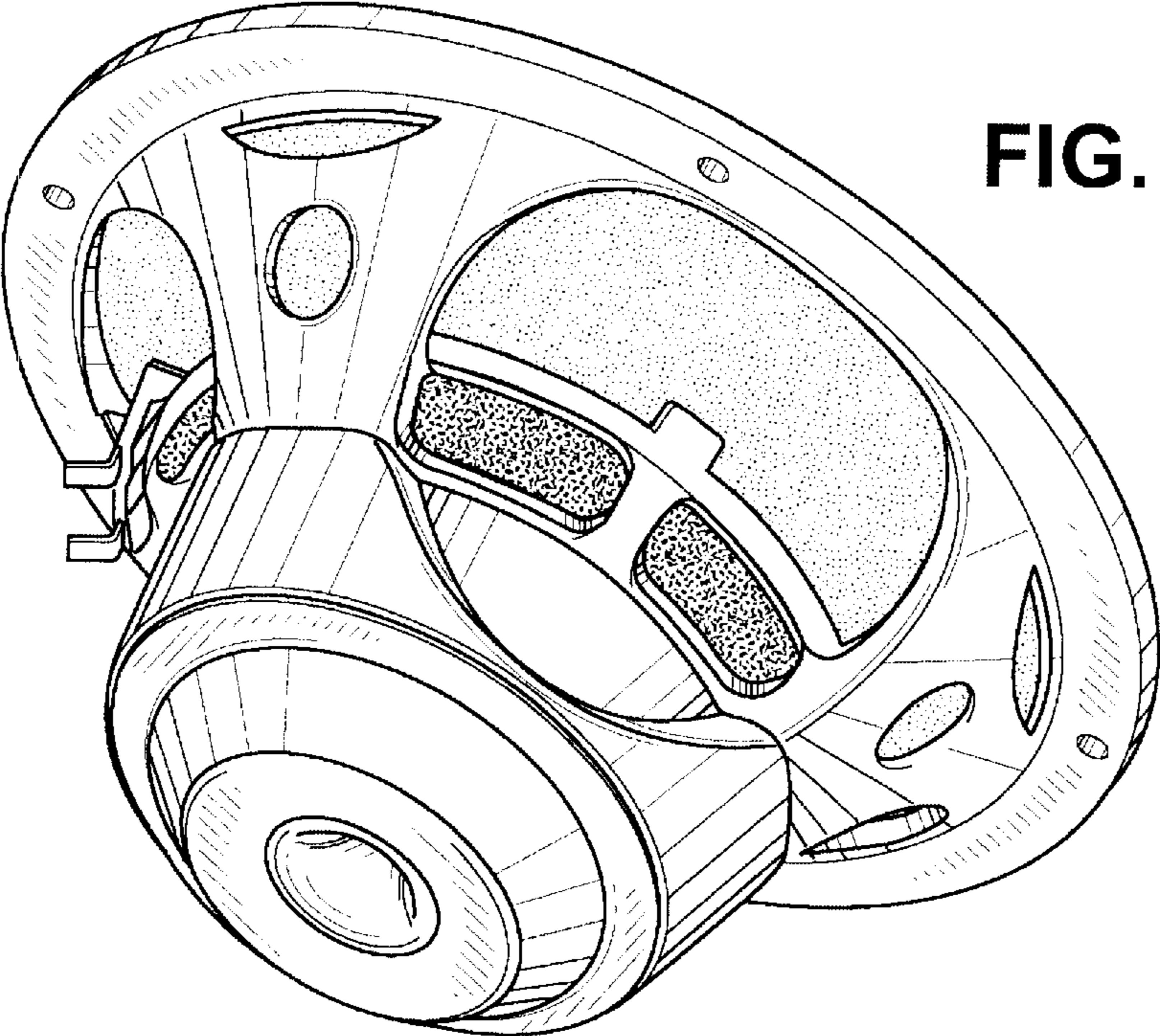


FIG. 1

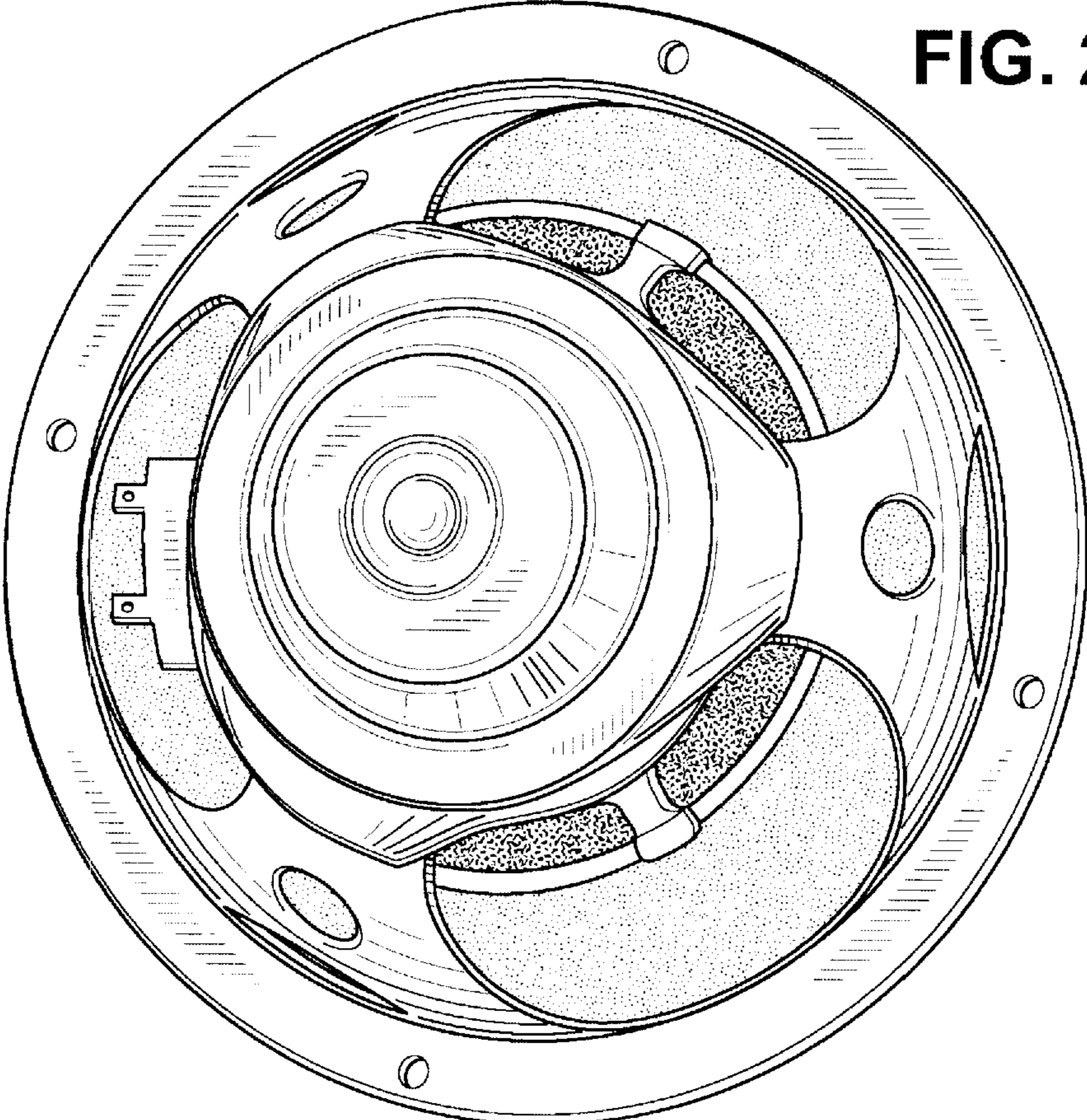


FIG. 2

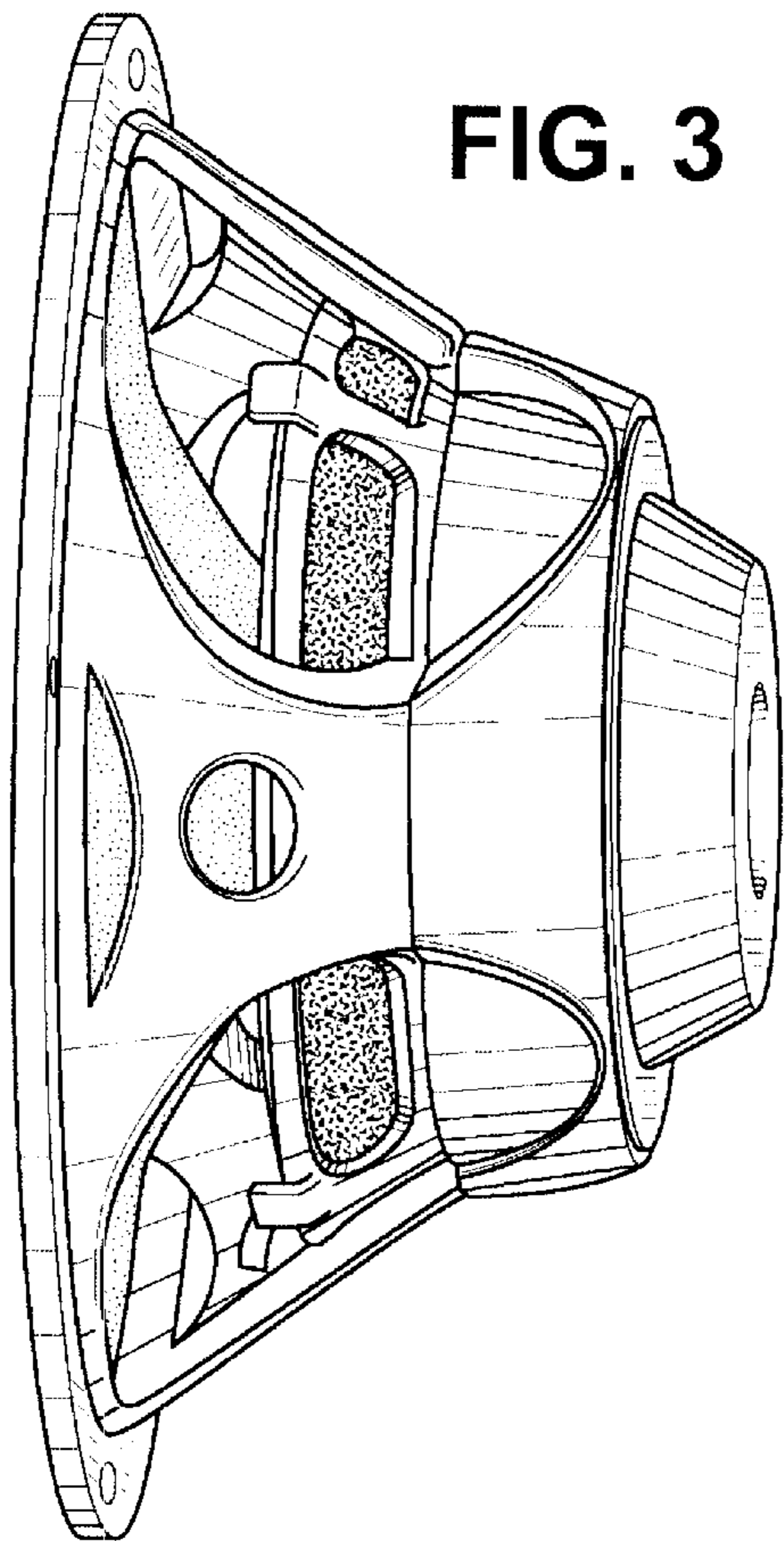


FIG. 3

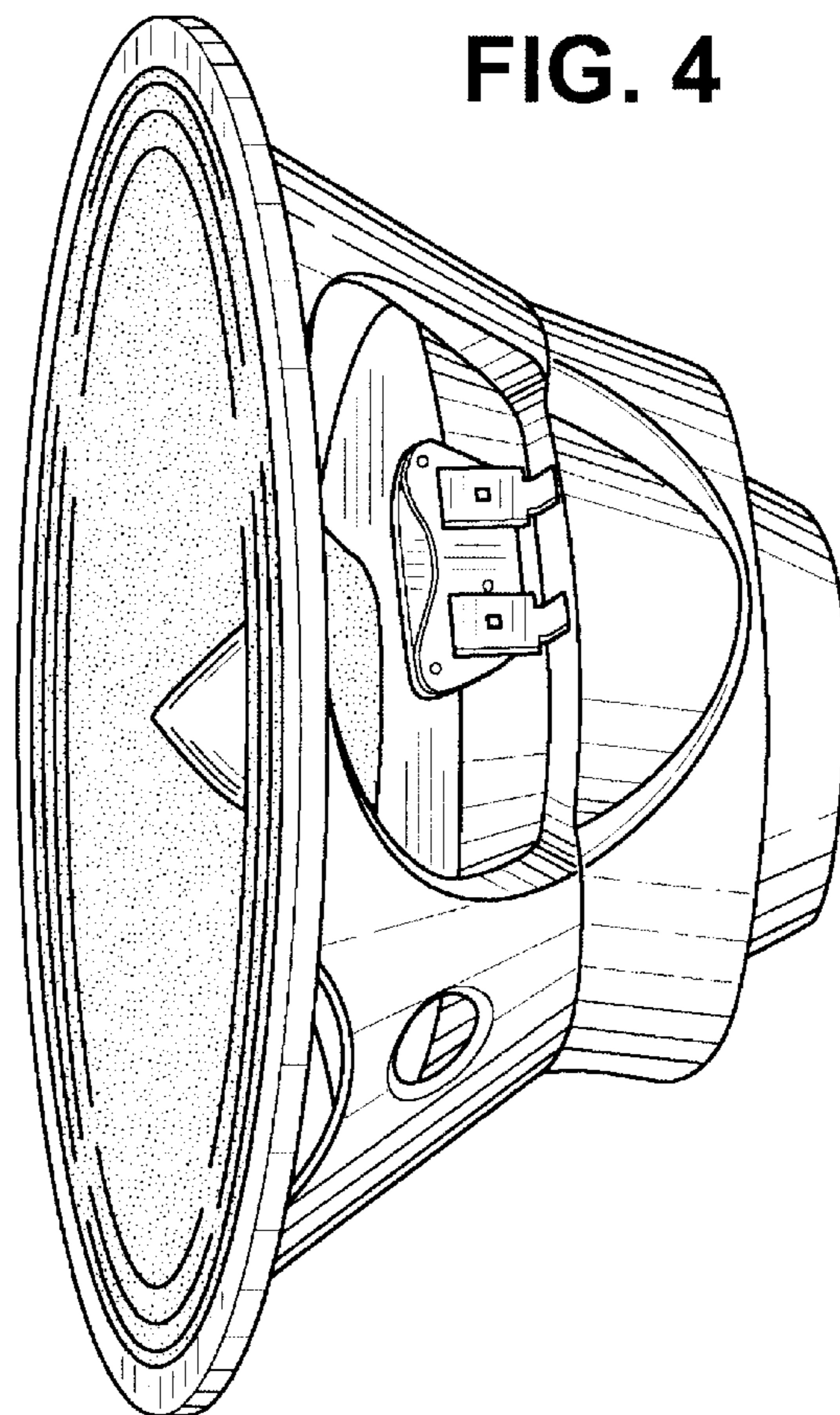


FIG. 4

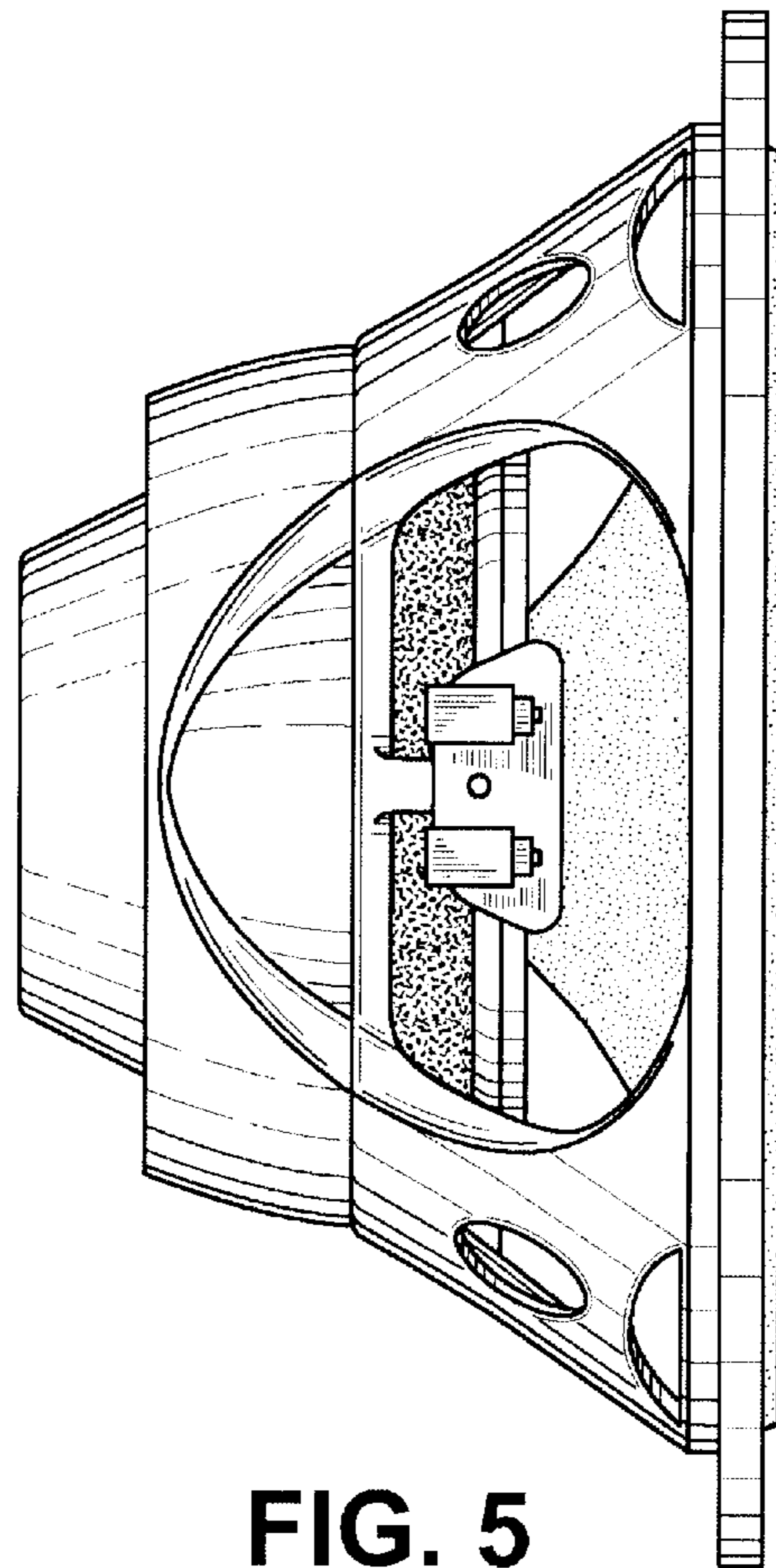


FIG. 5

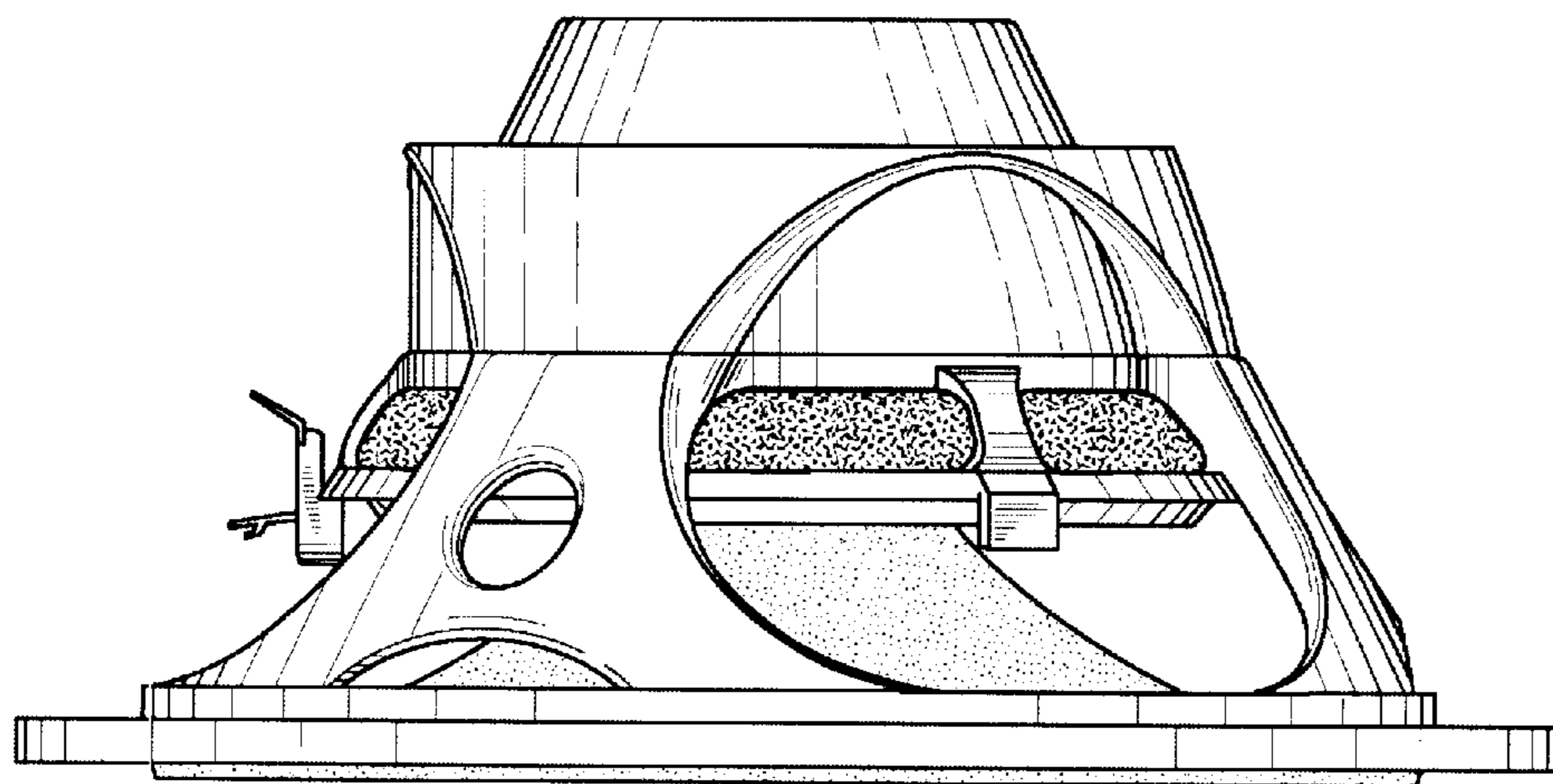


FIG. 6