



US00D542773S

(12) **United States Design Patent** (10) **Patent No.:** **US D542,773 S**
Drambarean et al. (45) **Date of Patent:** **** May 15, 2007**

(54) **HIGH FIDELITY NOISE EXCLUDING EARPHONES WITH ERGONOMICALLY DESIGNED CONSTRUCTION**

(75) Inventors: **Viorel Drambarean**, Skokie, IL (US); **Andrew J. Haapapuro**, Arlington Heights, IL (US); **Mead C. Killion**, Elk Grove Village, IL (US)

(73) Assignee: **Etymotic Research, Inc.**, Elk Grove Village, IL (US)

(**) Term: **14 Years**

(21) Appl. No.: **29/232,457**

(22) Filed: **Jun. 20, 2005**

(51) **LOC (8) Cl.** **14-01**

(52) **U.S. Cl.** **D14/205**

(58) **Field of Classification Search** D14/192, D14/205, 206, 223; 181/128, 131, 129-130, 181/132, 135, 137, 322, 380; 379/430, 431, 379/444; 381/312, 322, 328, 338, 380; D24/174, D24/106; 600/474

See application file for complete search history.

(56) **References Cited**

U.S. PATENT DOCUMENTS

4,602,642	A	*	7/1986	O'Hara et al.	600/474
4,936,411	A	*	6/1990	Leonard	181/135
5,113,967	A	*	5/1992	Killion et al.	181/132
D377,796	S	*	2/1997	Hayashi	D14/206
5,781,638	A	*	7/1998	Hosaka et al.	381/322
5,844,984	A	*	12/1998	Yamaguchi et al.	379/430

5,887,070	A	*	3/1999	Iseberg et al.	381/380
5,991,652	A	*	11/1999	Barthelemy et al.	600/474
D427,304	S	*	6/2000	Magidson et al.	D24/106
D455,835	S	*	4/2002	Anderson et al.	D24/174
6,574,345	B1	*	6/2003	Huang	381/380
D516,058	S	*	2/2006	Garcia	D14/205

* cited by examiner

Primary Examiner—Paula A. Greene

(74) *Attorney, Agent, or Firm*—McAndrews, Held & Malloy, Ltd.

(57) **CLAIM**

The ornamental design for the high fidelity noise excluding earphones with ergonomically designed construction, as shown and described.

DESCRIPTION

FIG. 1 is a perspective view of high fidelity noise excluding earphones with ergonomically designed construction showing our new design;

FIG. 2 is an end perspective view thereof;

FIG. 3 is an end perspective view thereof;

FIG. 4 is a side elevational view thereof;

FIG. 5 is a bottom plan view thereof;

FIG. 6 is an opposite side elevational view thereof;

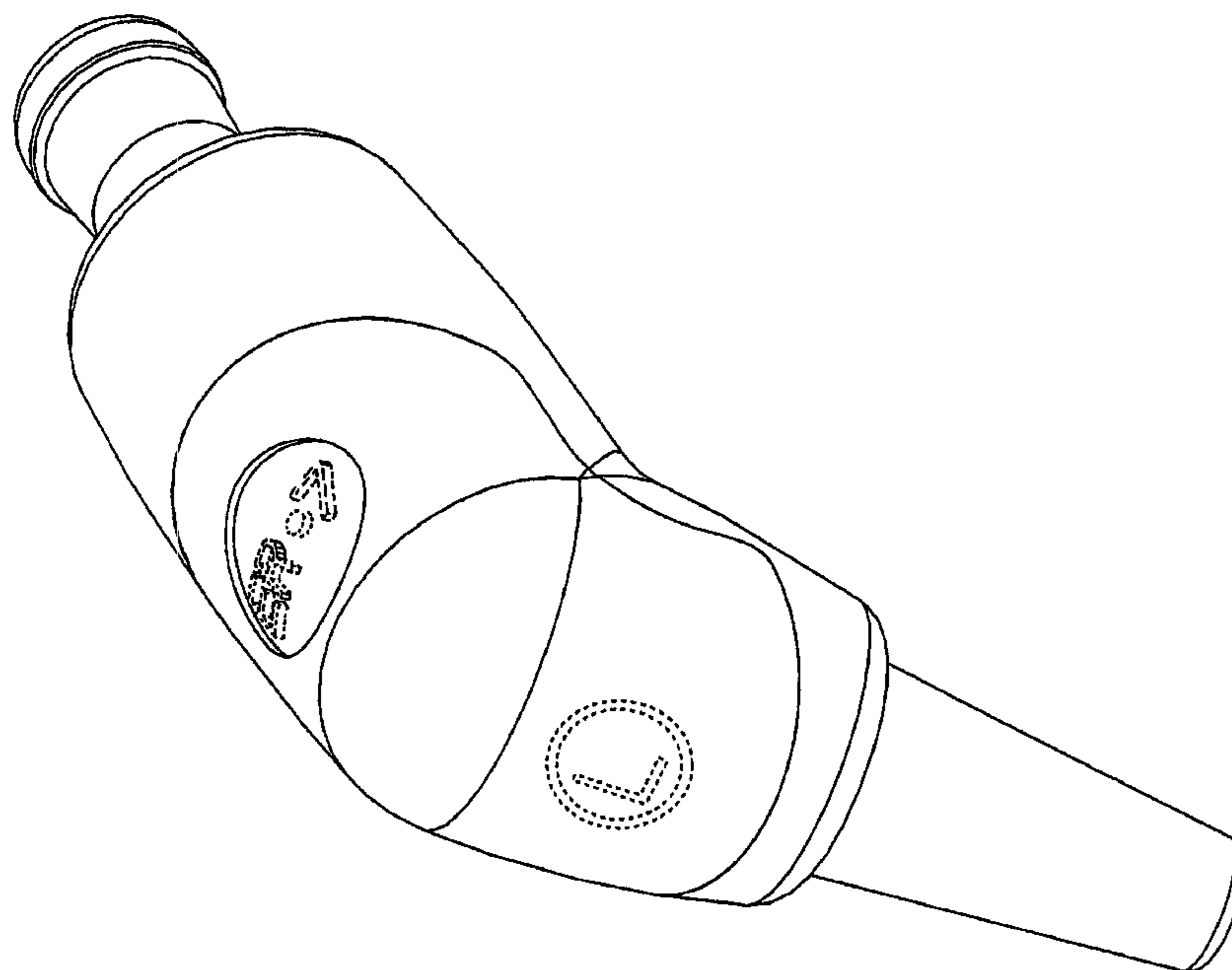
FIG. 7 is a top plan view thereof;

FIG. 8 is a bottom plan view thereof; and,

FIG. 9 is a top plan view thereof.

The broken line showing of the Label "L" and the label "ER-7" are included for the purpose of illustration and form no part of the claimed design.

1 Claim, 9 Drawing Sheets



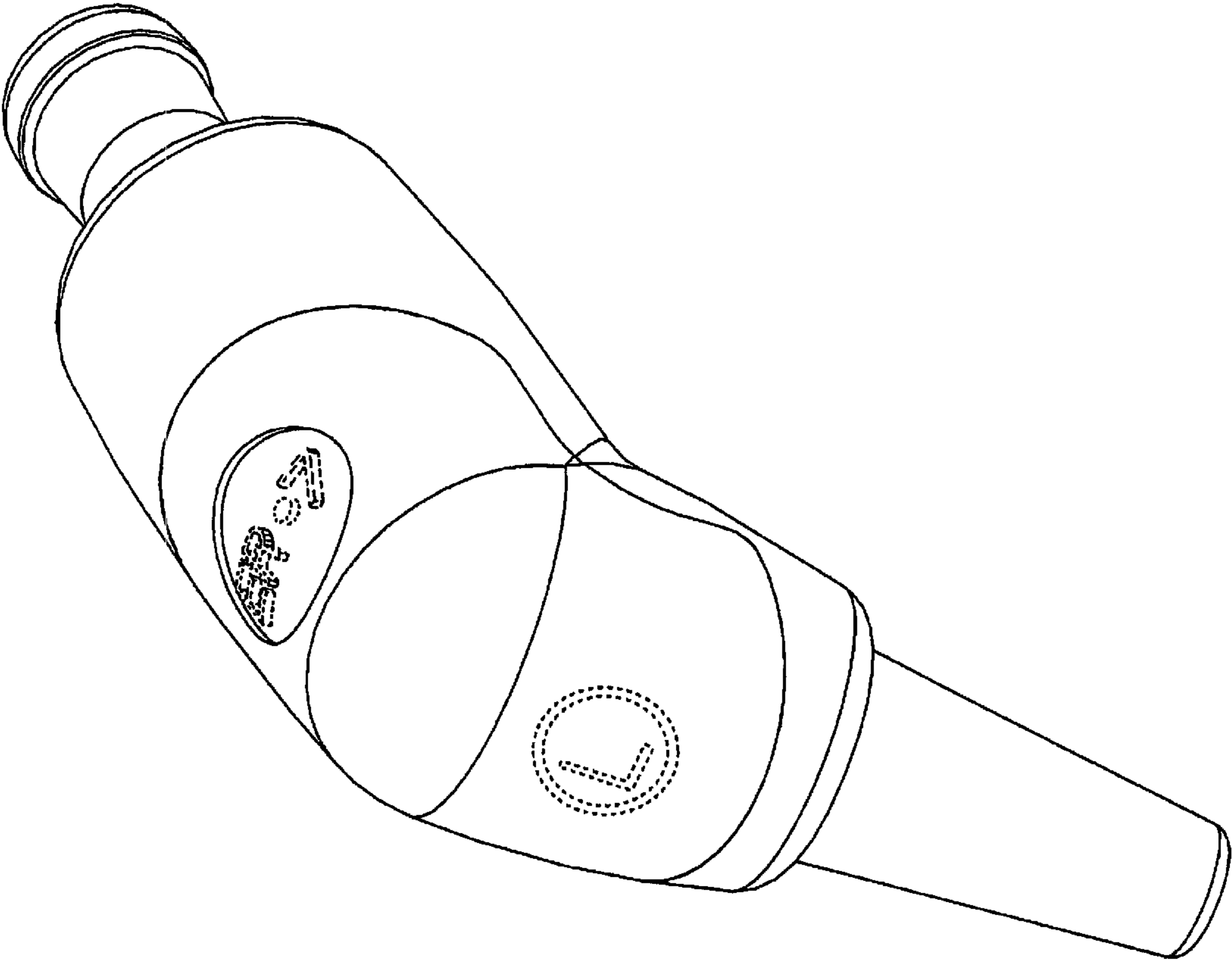


FIG. 1

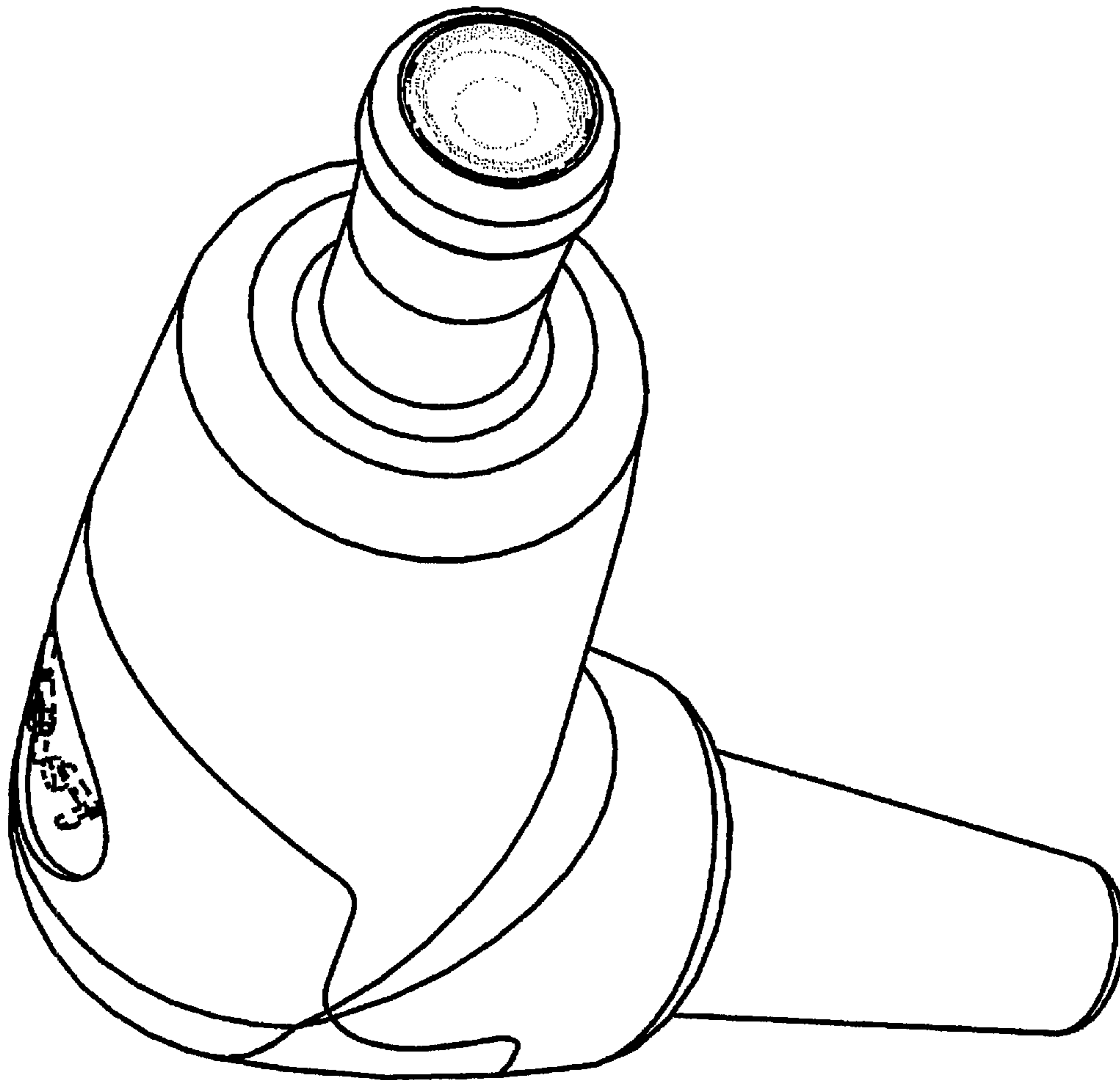


FIG. 2

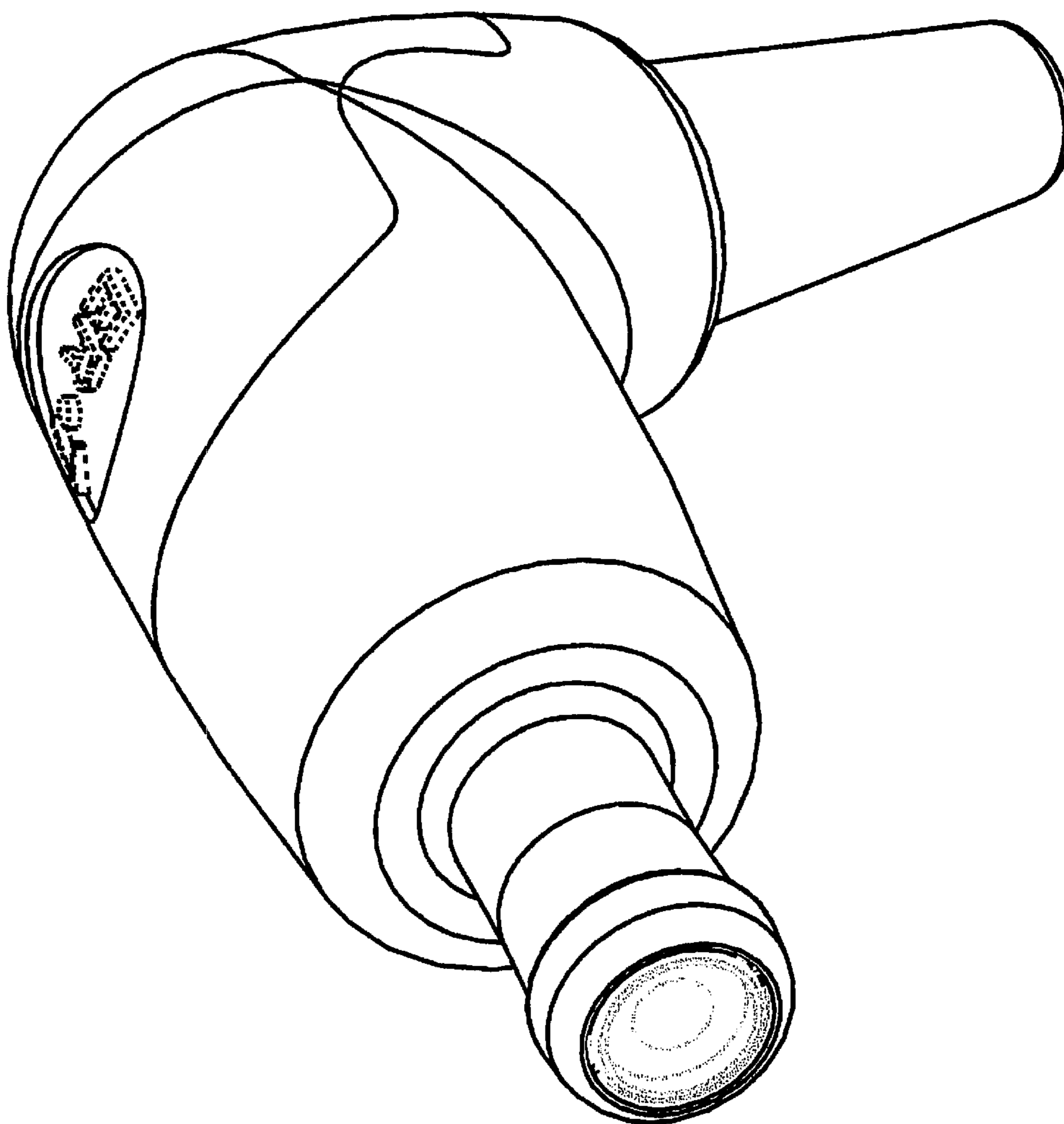


FIG. 3

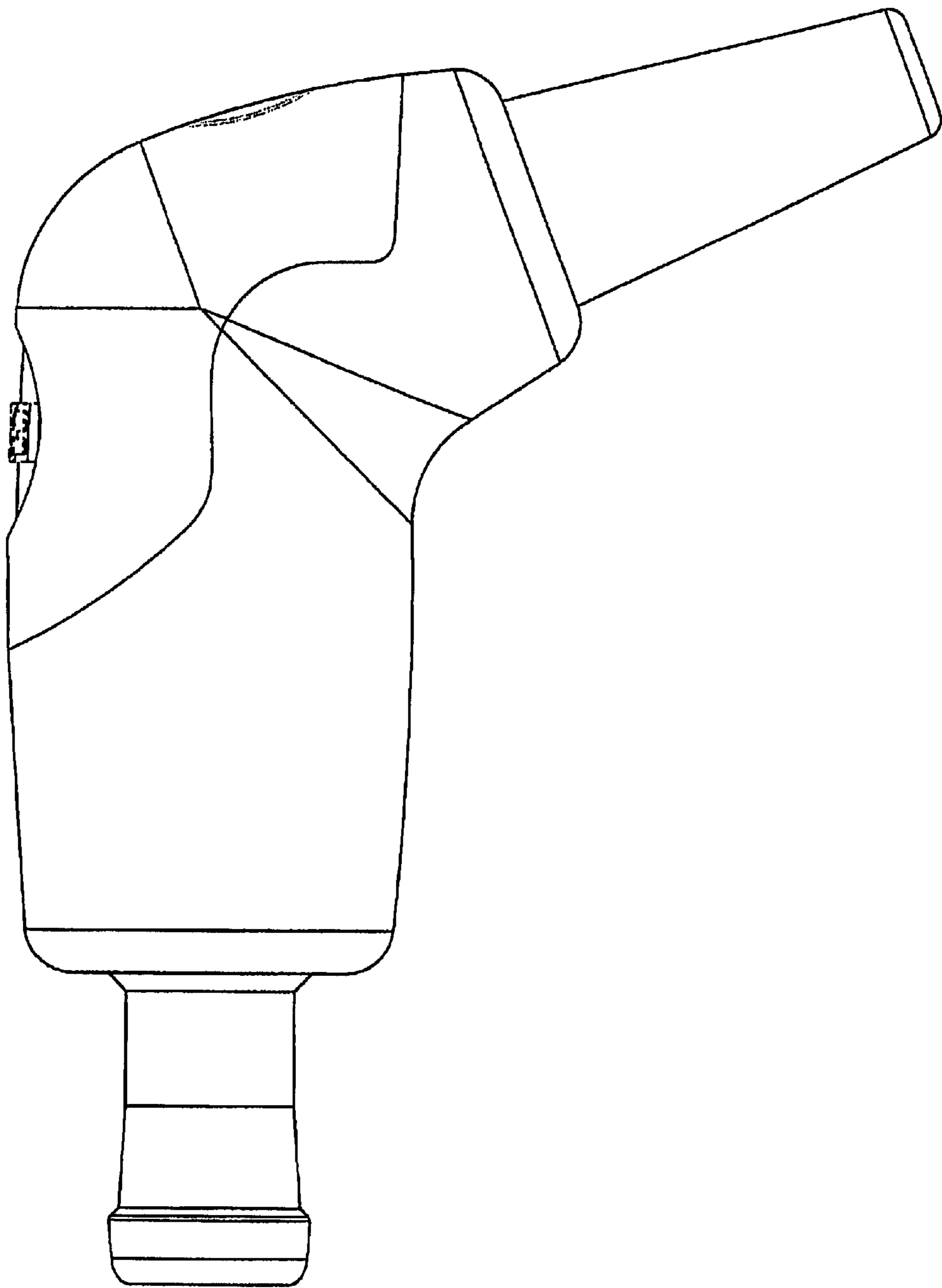


FIG. 4

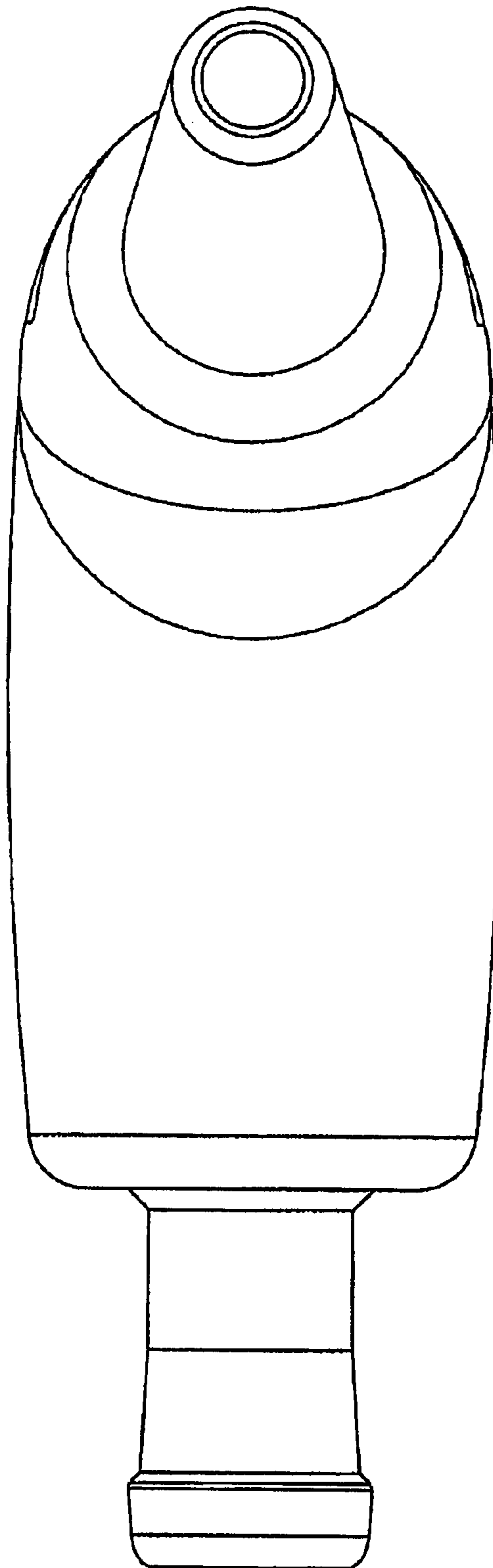


FIG. 5

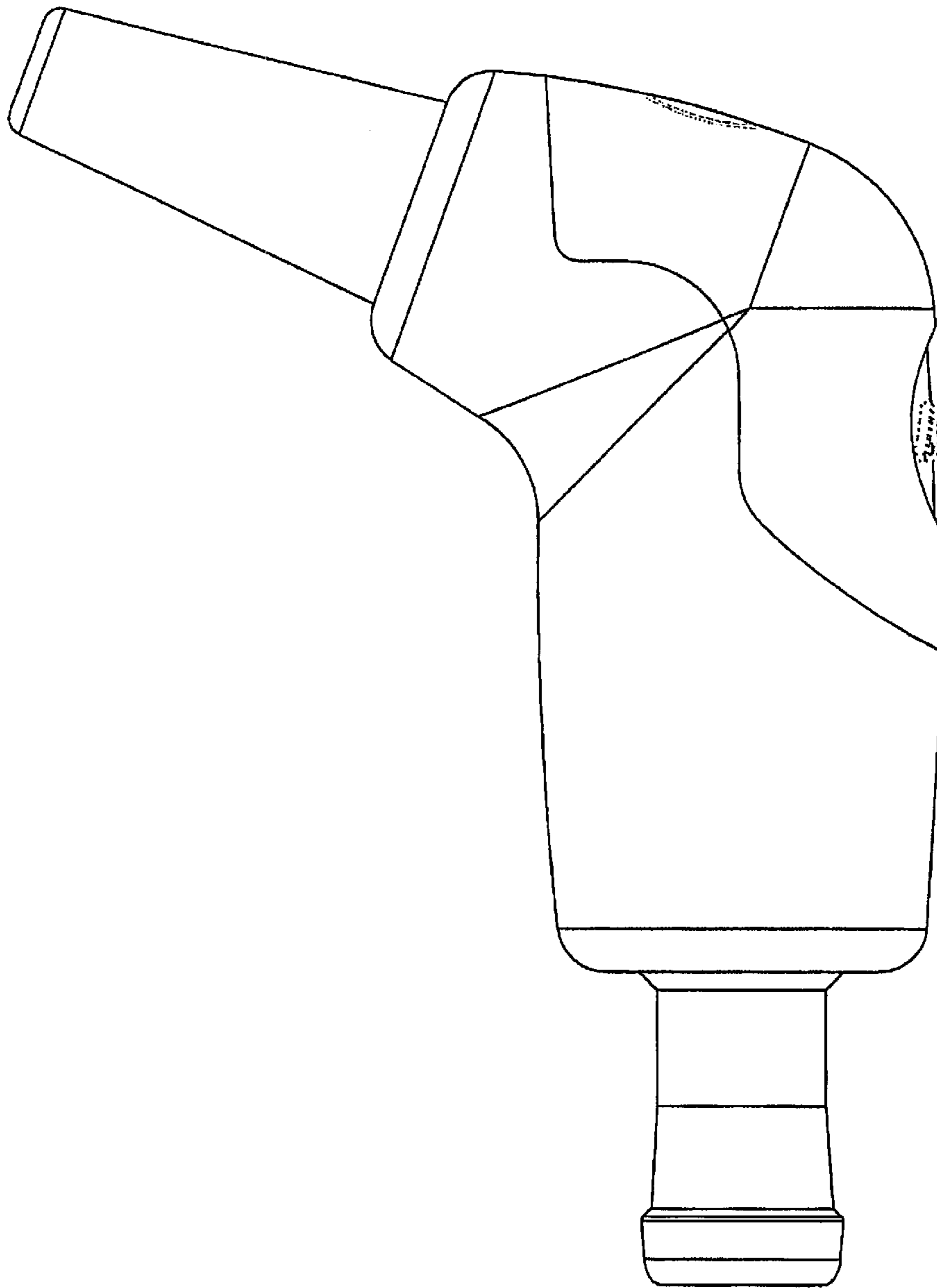


FIG. 6

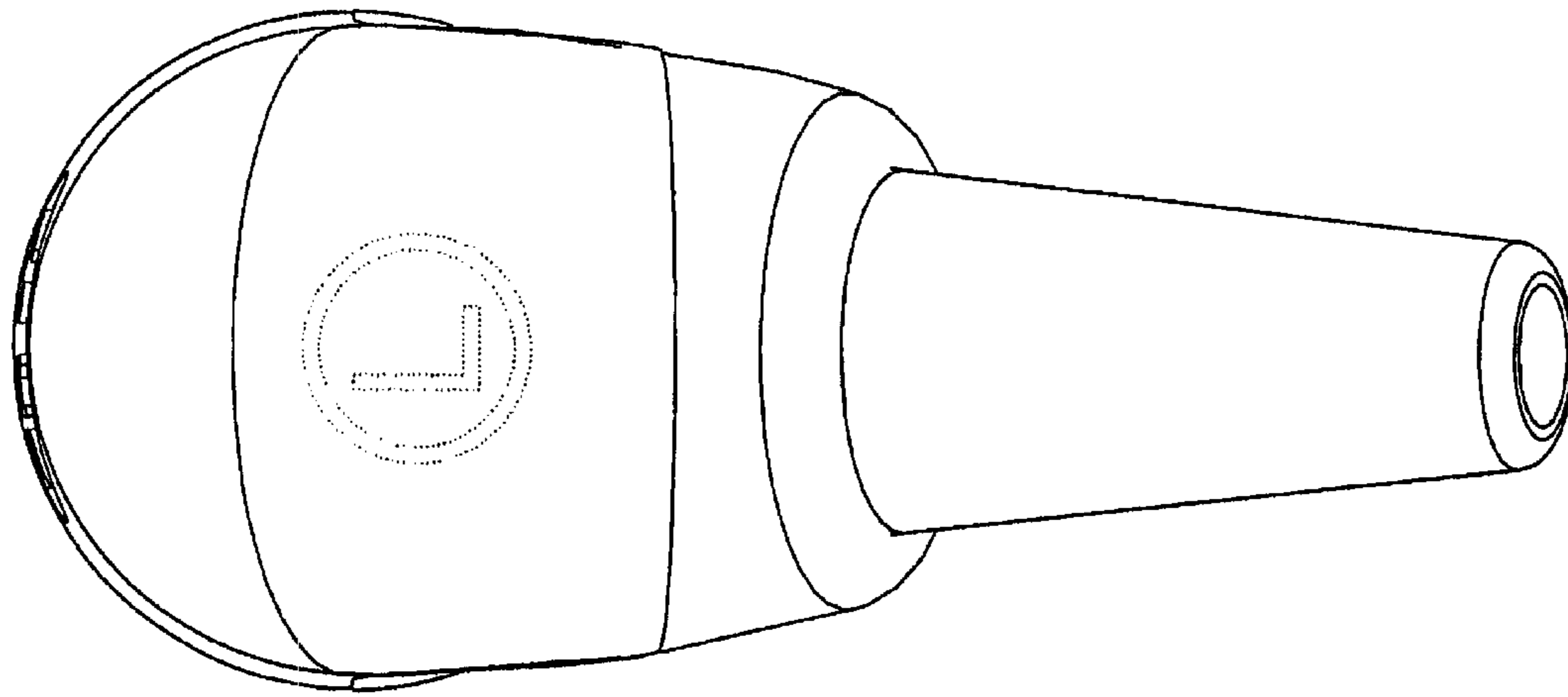


FIG. 7

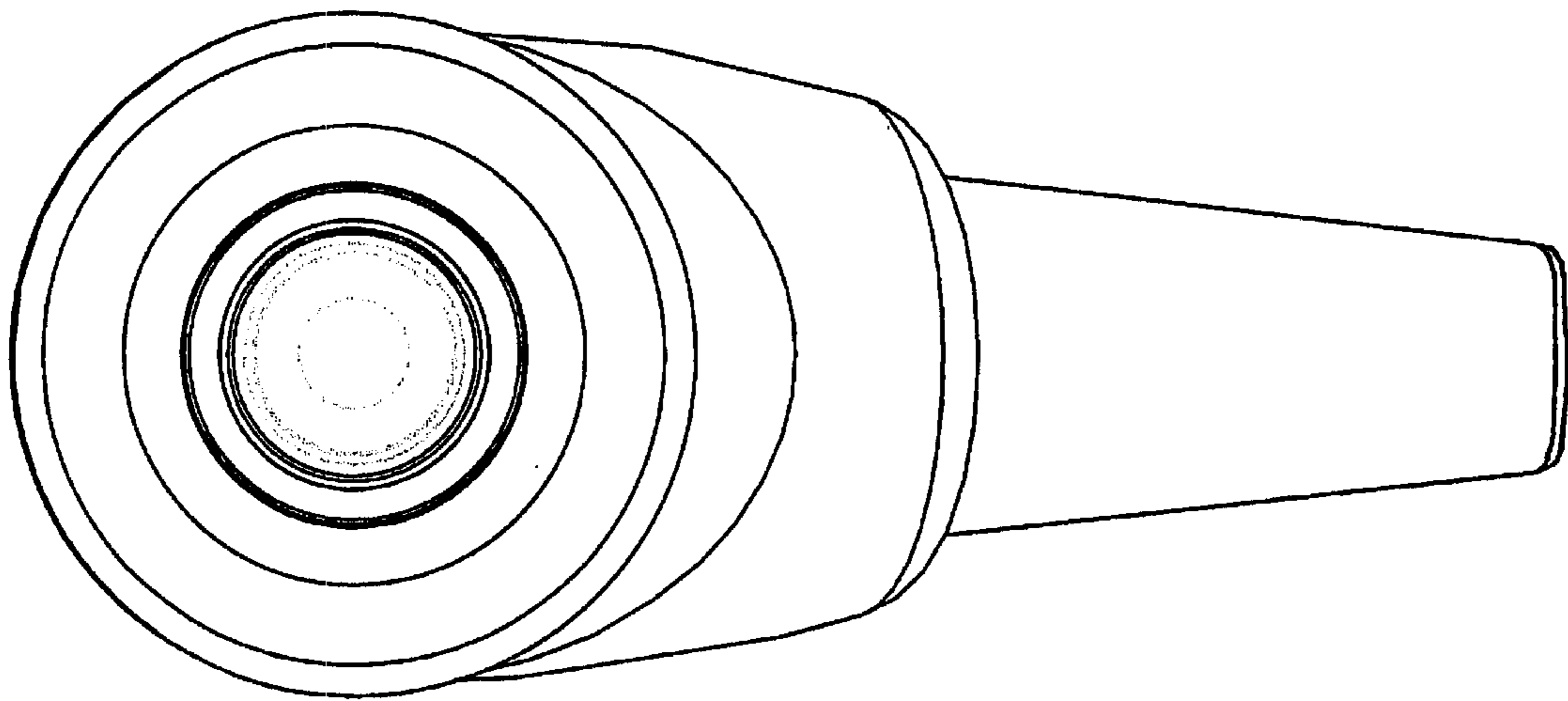


FIG. 8

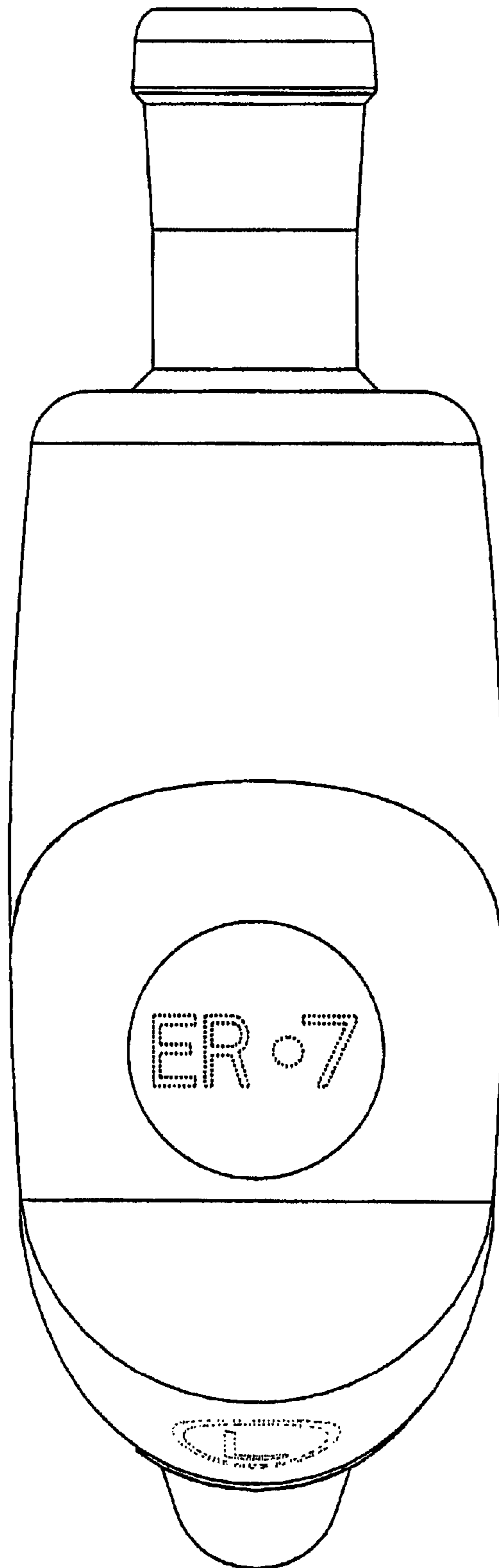


FIG. 9