

US00D542772S

(12) **United States Design Patent**
Shimizu

(10) **Patent No.:** **US D542,772 S**

(45) **Date of Patent:** **** May 15, 2007**

(54) **COMBINED RADIO RECEIVER AND CLOCK**

(75) Inventor: **Naoto Shimizu**, Tokyo (JP)

(73) Assignee: **Sony Corporation**, Tokyo (JP)

(**) Term: **14 Years**

(21) Appl. No.: **29/259,600**

(22) Filed: **May 12, 2006**

(30) **Foreign Application Priority Data**

Nov. 16, 2005 (EM) 000432398-0002

(51) **LOC (8) Cl.** **14-03**

(52) **U.S. Cl.** **D14/171**

(58) **Field of Classification Search** D14/170,
D14/171, 168, 188, 193, 194, 195, 196, 197,
D14/198; D10/1, 2, 15, 128; D21/513, 516;
312/7.1; 455/91, 95, 100, 128, 344, 347,
455/350, 351

See application file for complete search history.

(56) **References Cited**

U.S. PATENT DOCUMENTS

- D258,820 S * 4/1981 Hamada D14/171
- D277,960 S * 3/1985 Brandsma D14/171
- D330,553 S * 10/1992 Hino D14/171
- D339,346 S * 9/1993 Pepall D14/171
- D373,126 S 8/1996 Taniguchi
- D387,350 S * 12/1997 Zeitman D14/171

- D416,901 S * 11/1999 Duke D14/171
- D435,536 S 12/2000 Ishibashi
- D450,680 S 11/2001 Yuyama
- D496,649 S * 9/2004 Murakami D14/171

OTHER PUBLICATIONS

Web page "RC-6266" <http://prodb.matsushita.co.jp/product/info.do?pg=04&hb=RC-6266>, 1 sheet, Matsushita Electric Industrial Co., Ltd., (Feb. 2006).

* cited by examiner

Primary Examiner—Stella Reid
Assistant Examiner—Keli' L. Acker

(74) *Attorney, Agent, or Firm*—Rader, Fishman & Grauer, PLLC

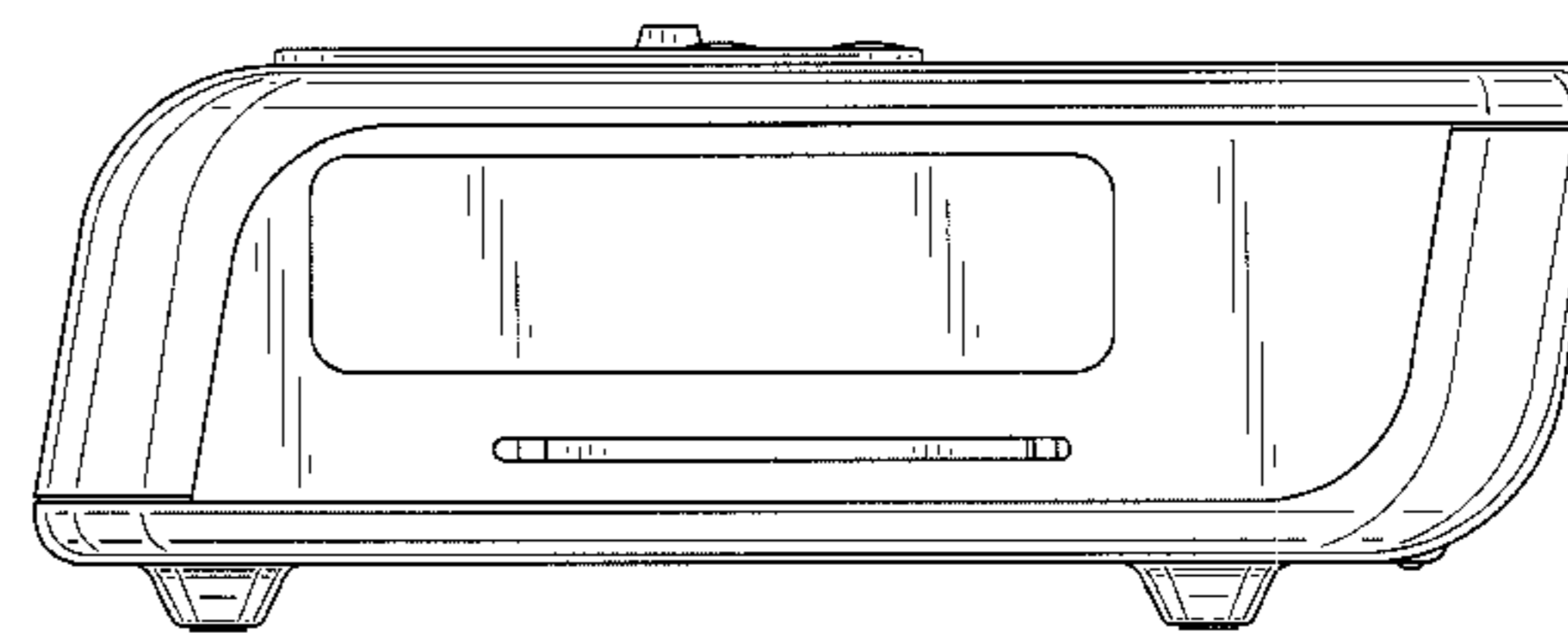
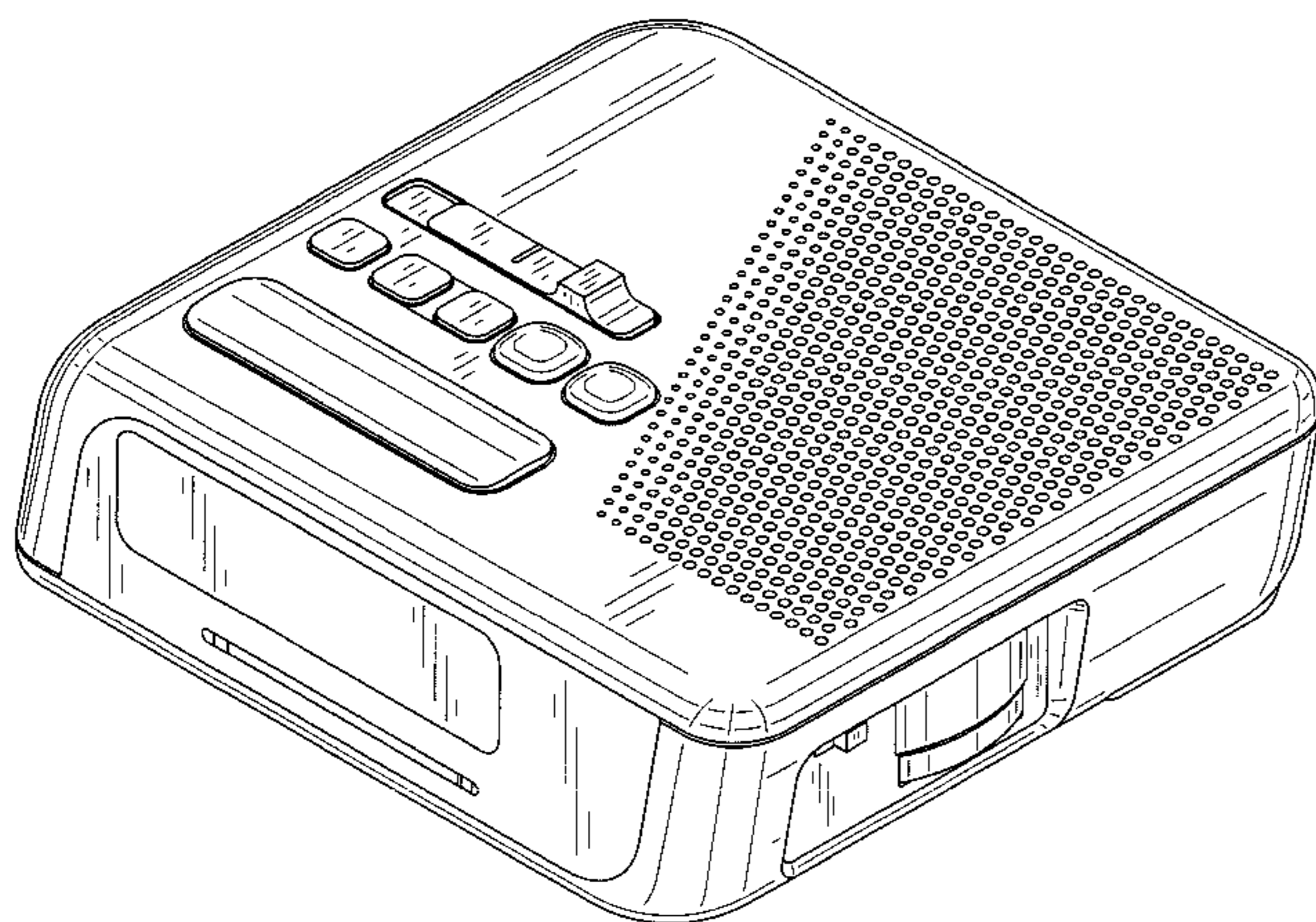
(57) **CLAIM**

The ornamental design for a combined radio receiver and clock, as shown.

DESCRIPTION

FIG. 1 is a perspective view a combined radio receiver and clock showing my new design;
FIG. 2 is a front elevational view thereof;
FIG. 3 is a rear elevational view thereof;
FIG. 4 is a left side elevational view thereof;
FIG. 5 is a right side elevational view thereof;
FIG. 6 is a top plan view thereof; and,
FIG. 7 is a bottom plan view thereof.

1 Claim, 7 Drawing Sheets



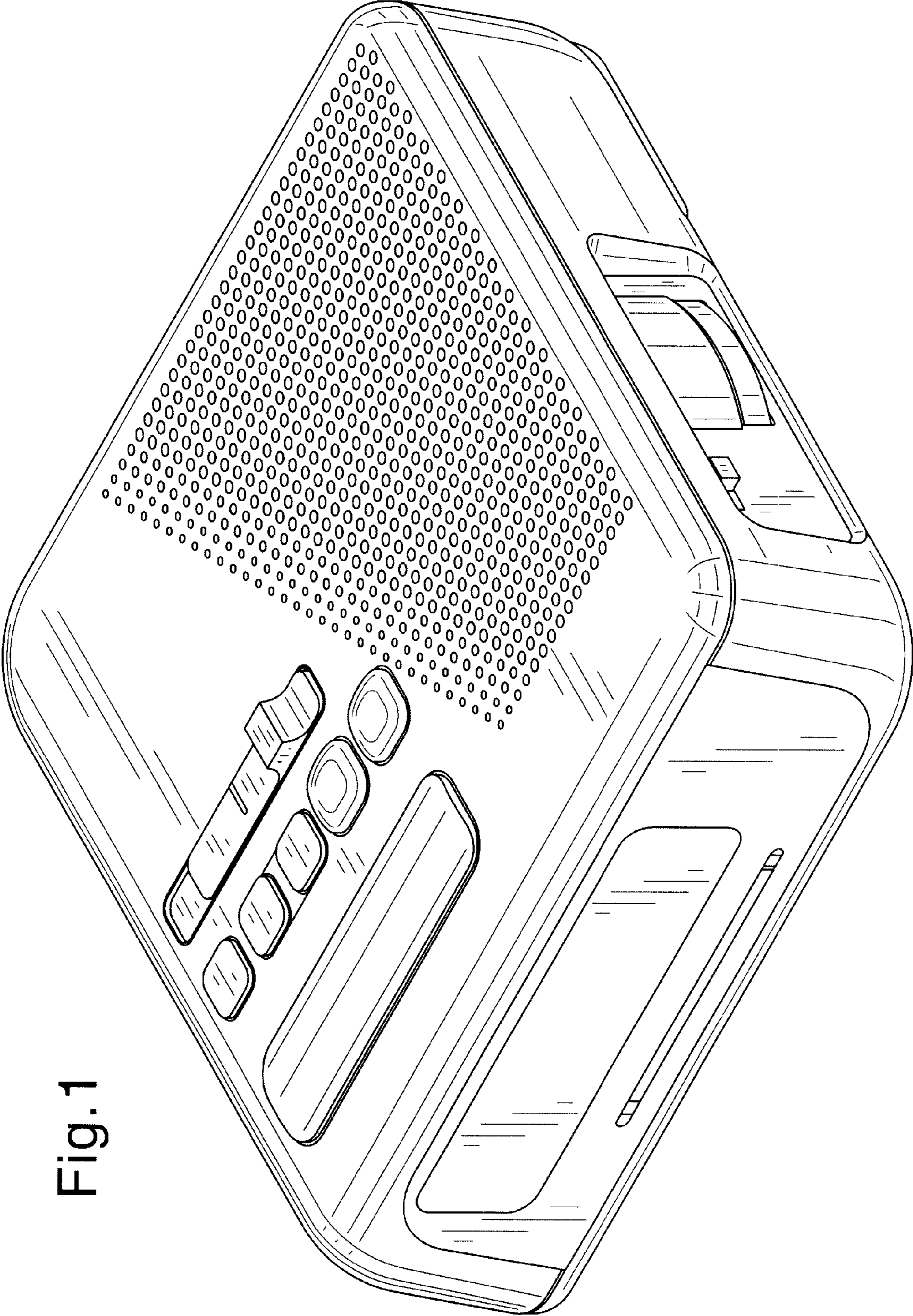


Fig. 1

Fig.2

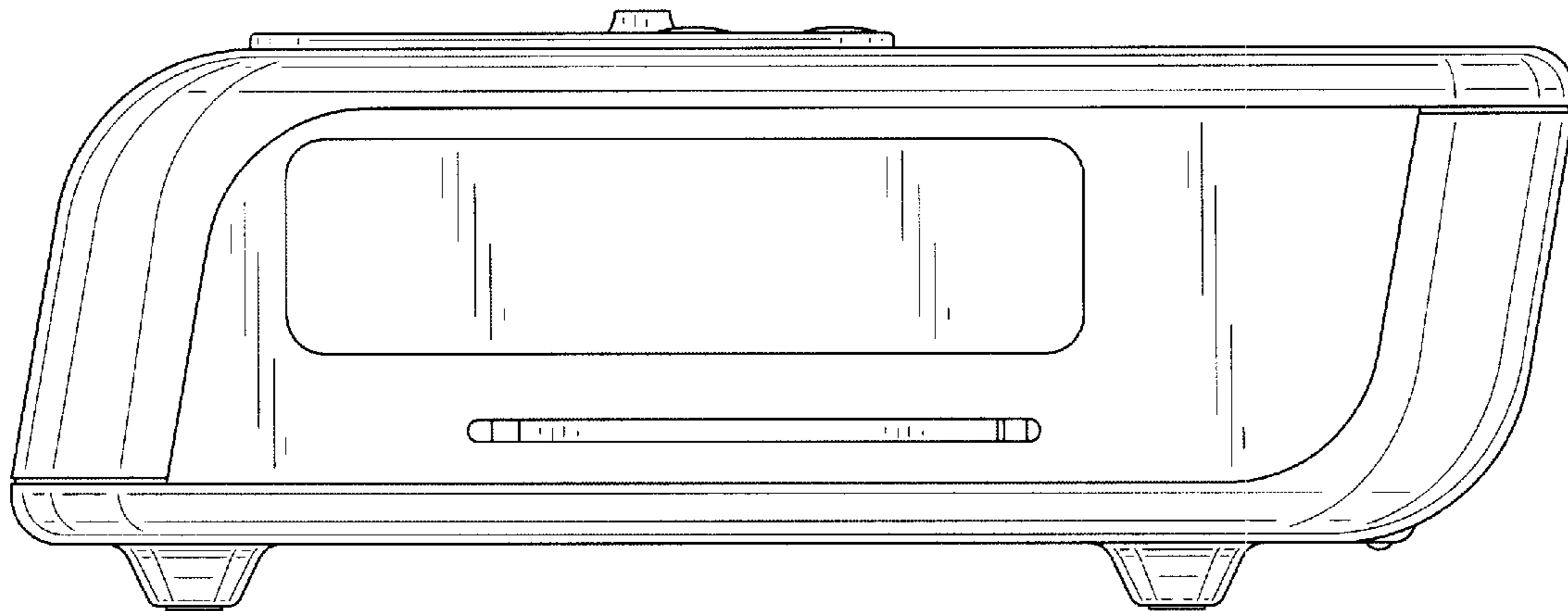


Fig.3

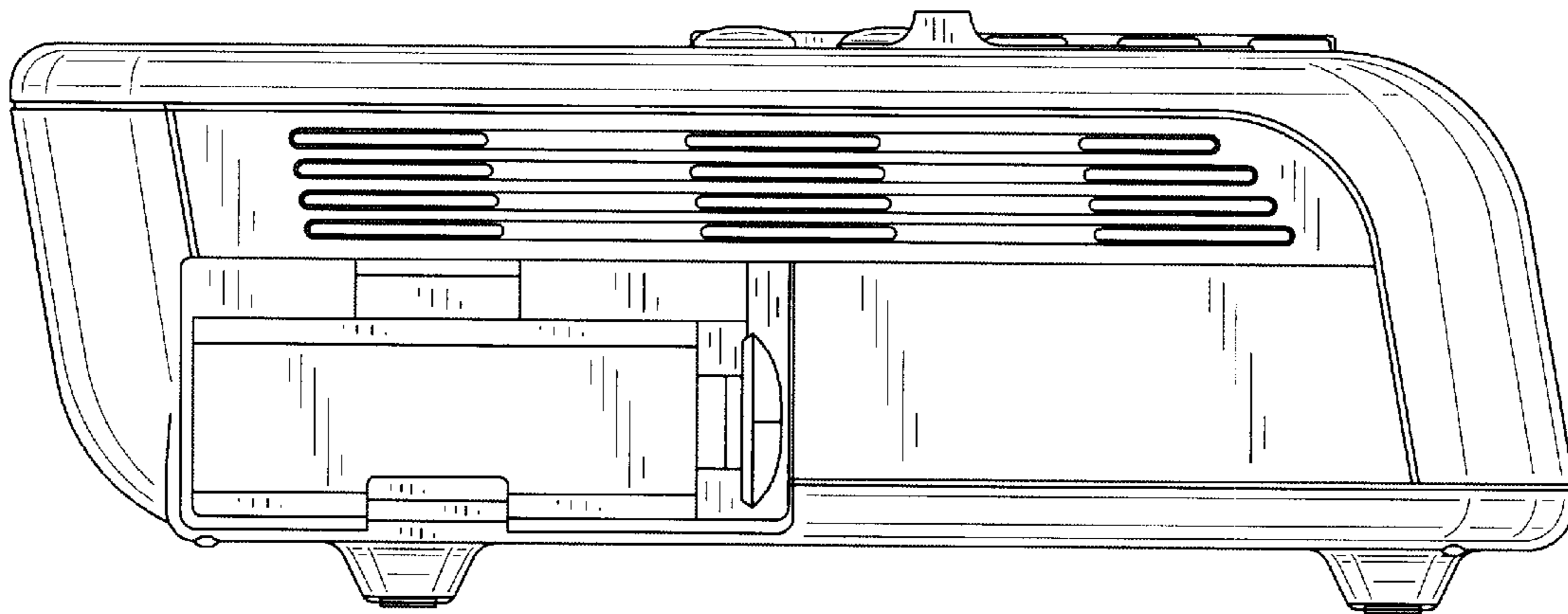


Fig.4

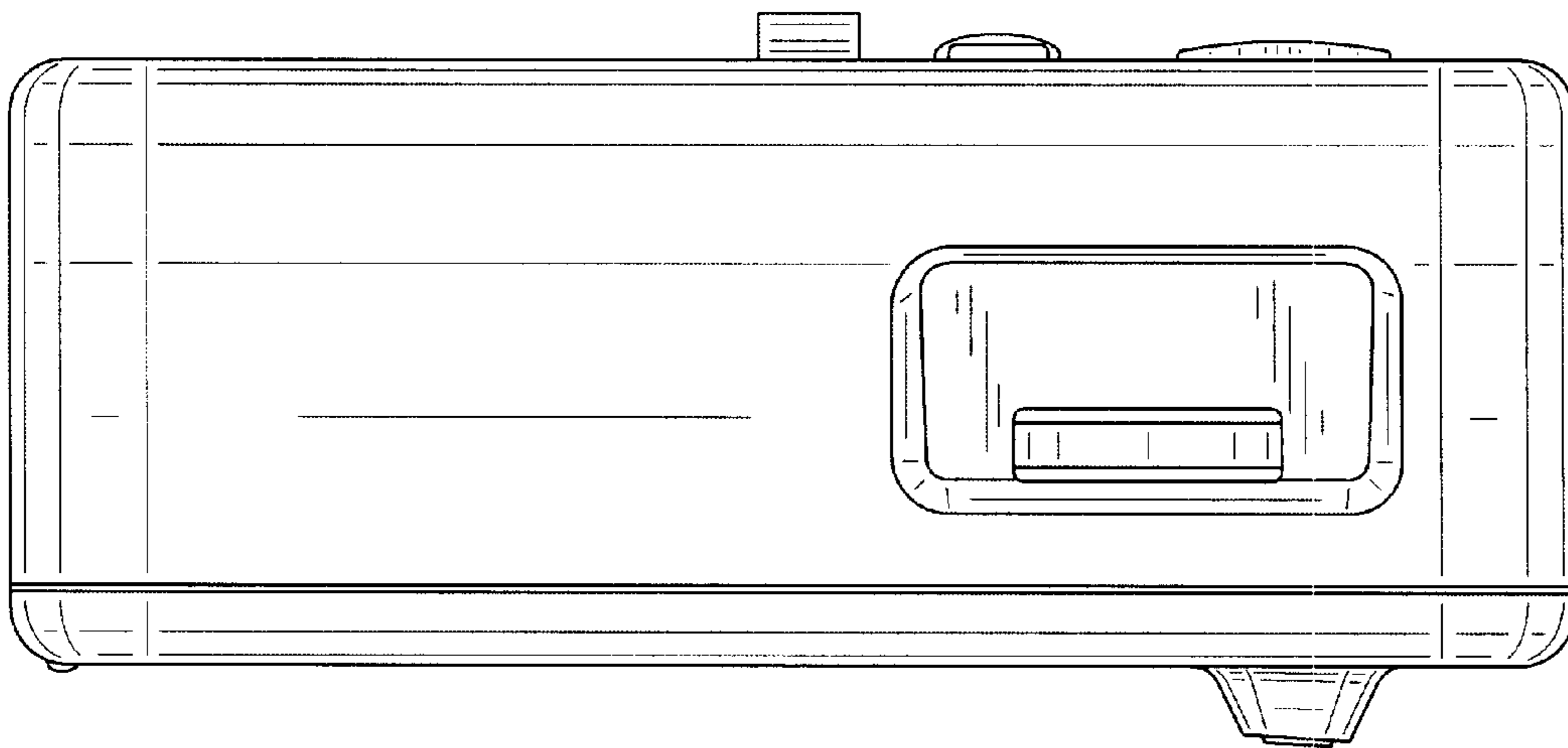


Fig.5

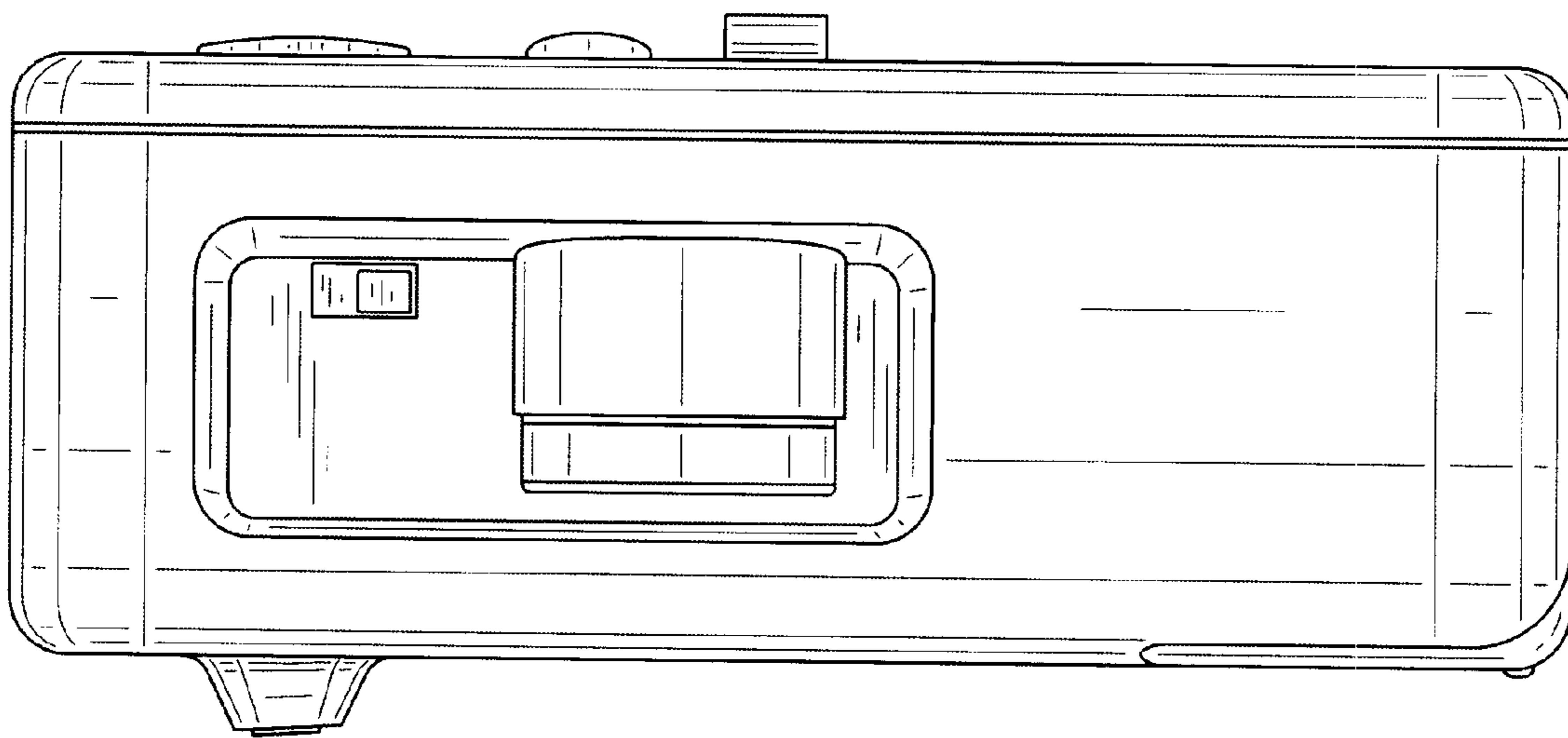


Fig.6

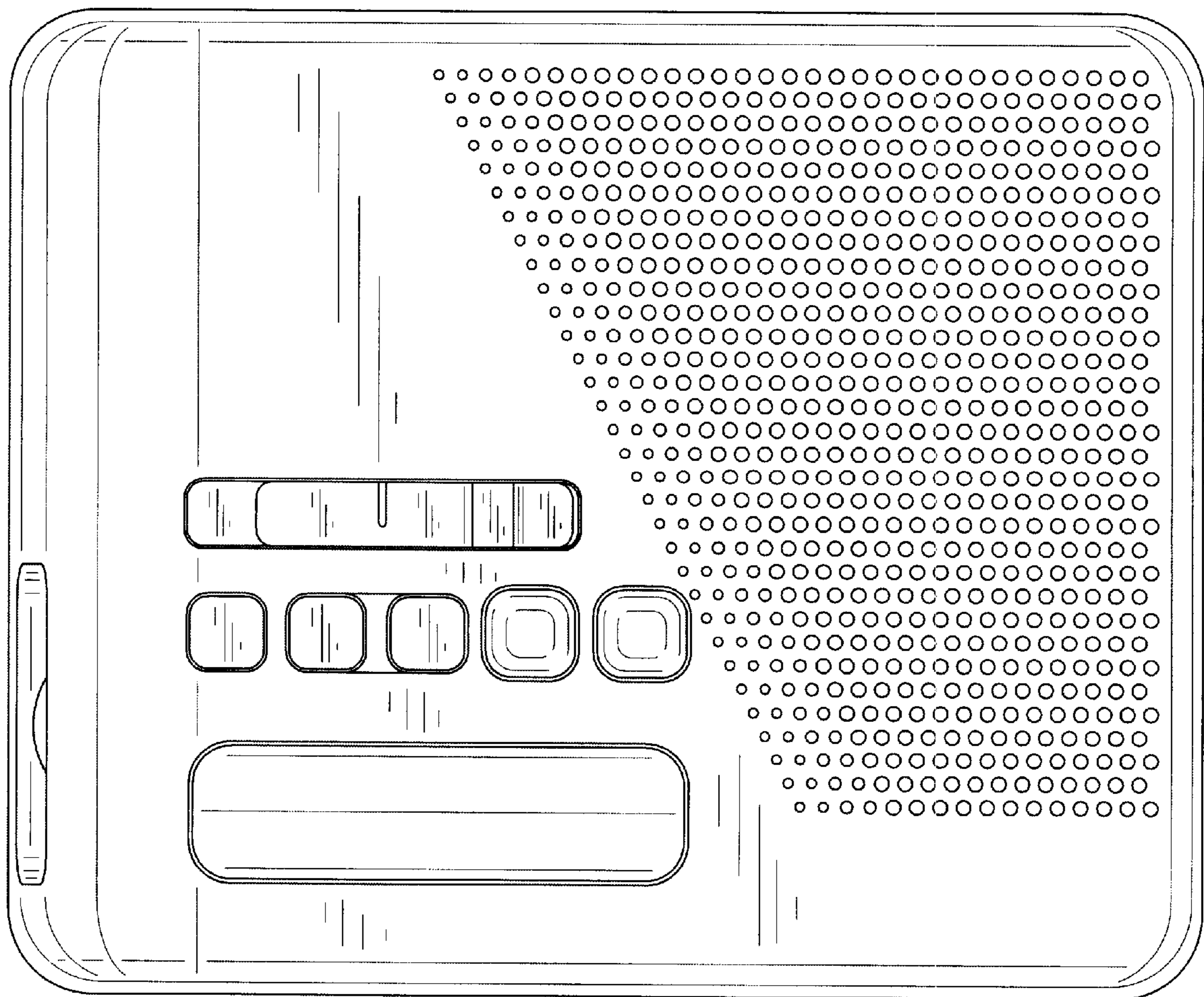


Fig.7

