

US00D542766S

(12) **United States Design Patent**  
**Miyazaki et al.**

(10) **Patent No.:** **US D542,766 S**

(45) **Date of Patent:** **\*\* May 15, 2007**

(54) **MOBILE PHONE**

(75) Inventors: **Hirohisa Miyazaki**, Tokyo (JP);  
**Yusuru Masuda**, Tokyo (JP);  
**Jong-Seong Lee**, Seoul (KR)

(73) Assignee: **Samsung Electronics Co., Ltd.**,  
Suwon-Si (KR)

(\*\*) Term: **14 Years**

(21) Appl. No.: **29/254,667**

(22) Filed: **Feb. 28, 2006**

(30) **Foreign Application Priority Data**

Dec. 29, 2005 (KR) ..... 30-2005-0044846

(51) **LOC (8) Cl.** ..... **14-03**

(52) **U.S. Cl.** ..... **D14/138**

(58) **Field of Classification Search** ..... D14/137-138,  
D14/144, 156, 147-148, 247-248, 341-347,  
D14/496; D21/329, 331, 333; 379/433.01-433.13;  
348/14.01, 14.02, 376; 455/556.1, 556.2,  
455/566, 575.1, 575.4, 90.3; D16/208  
See application file for complete search history.

(56) **References Cited**

**U.S. PATENT DOCUMENTS**

D480,697 S \* 10/2003 Lee et al. .... D14/138

D502,932 S \* 3/2005 Minamide ..... D14/138  
D524,776 S \* 7/2006 Chang ..... D14/138  
D525,227 S \* 7/2006 Jang ..... D14/138  
2002/0102946 A1 \* 8/2002 SanGiovanni ..... 455/90  
2004/0132482 A1 \* 7/2004 Kang et al. .... 455/550.1  
2004/0242288 A1 \* 12/2004 Balle et al. .... 455/575.1  
2005/0063144 A1 \* 3/2005 Park et al. .... 361/681  
2005/0202856 A1 \* 9/2005 Park et al. .... 455/575.1

\* cited by examiner

*Primary Examiner*—Ian Simmons

*Assistant Examiner*—Carla Jobe Wright

(74) *Attorney, Agent, or Firm*—Staas & Halsey LLP

(57) **CLAIM**

The ornamental design for a mobile phone, as shown and described.

**DESCRIPTION**

FIG. 1 is a perspective view of the mobile phone showing our design;

FIG. 2 is a front view thereof;

FIG. 3 is a rear view thereof;

FIG. 4 is a left side view thereof;

FIG. 5 is a right side view thereof;

FIG. 6 is a top plan view thereof;

FIG. 7 is a bottom plan view thereof; and,

FIG. 8 is a perspective, open view thereof.

**1 Claim, 4 Drawing Sheets**

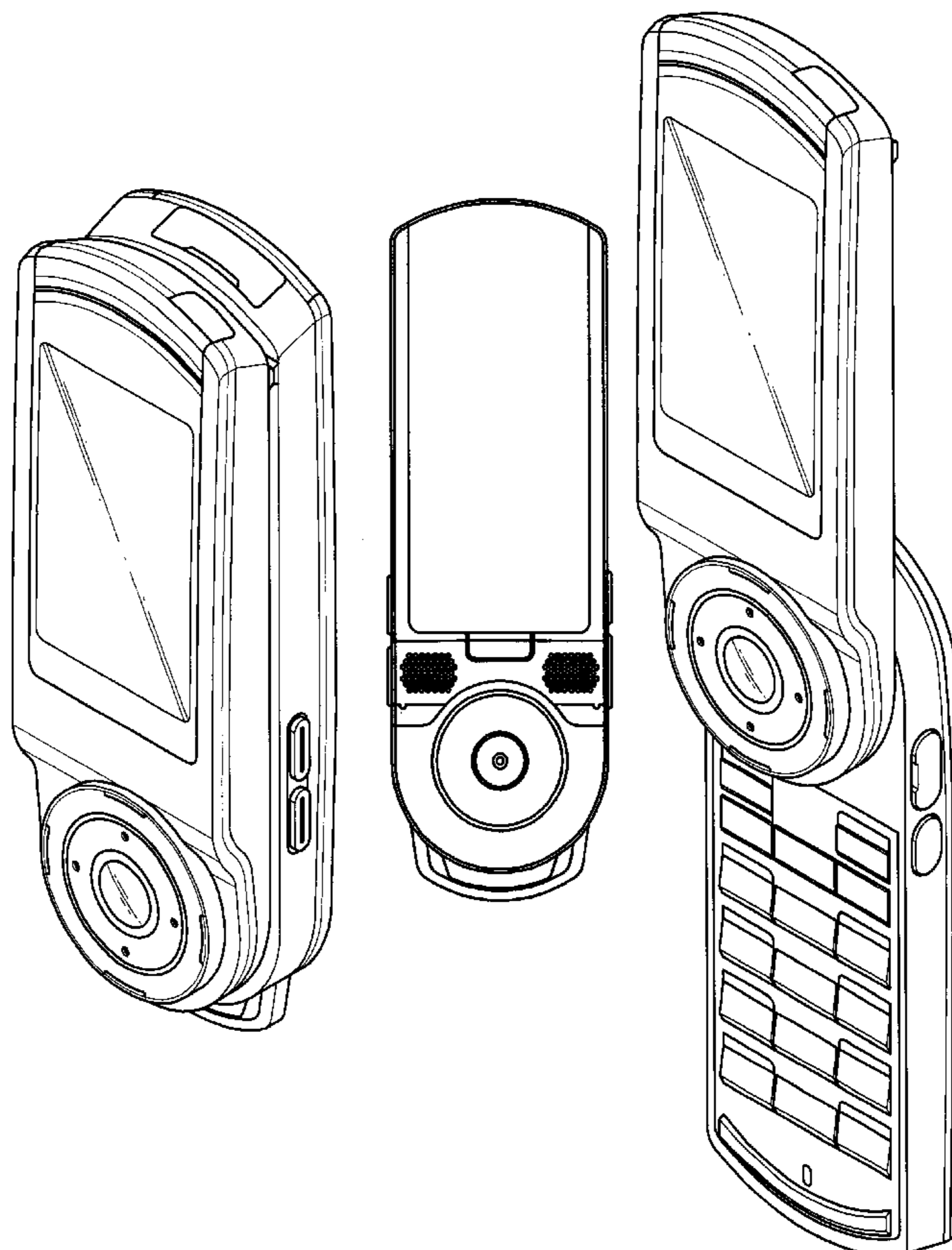


FIG. 1

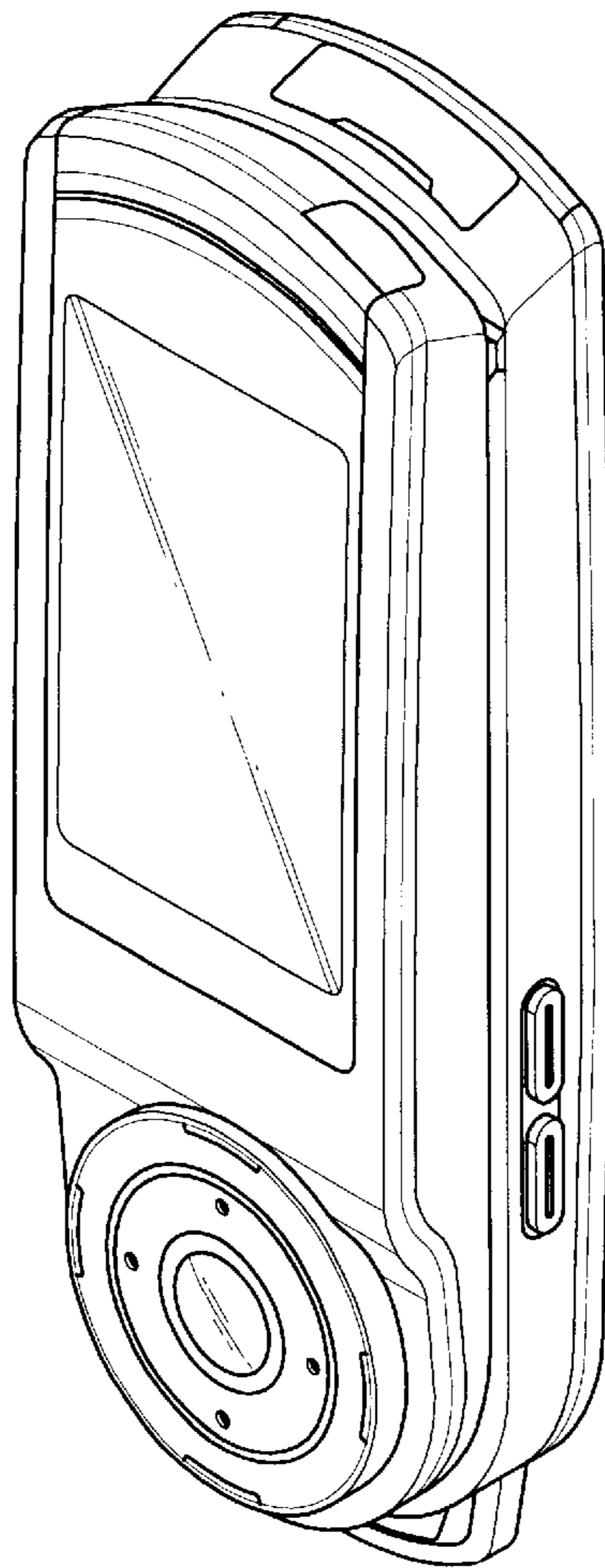


FIG.2

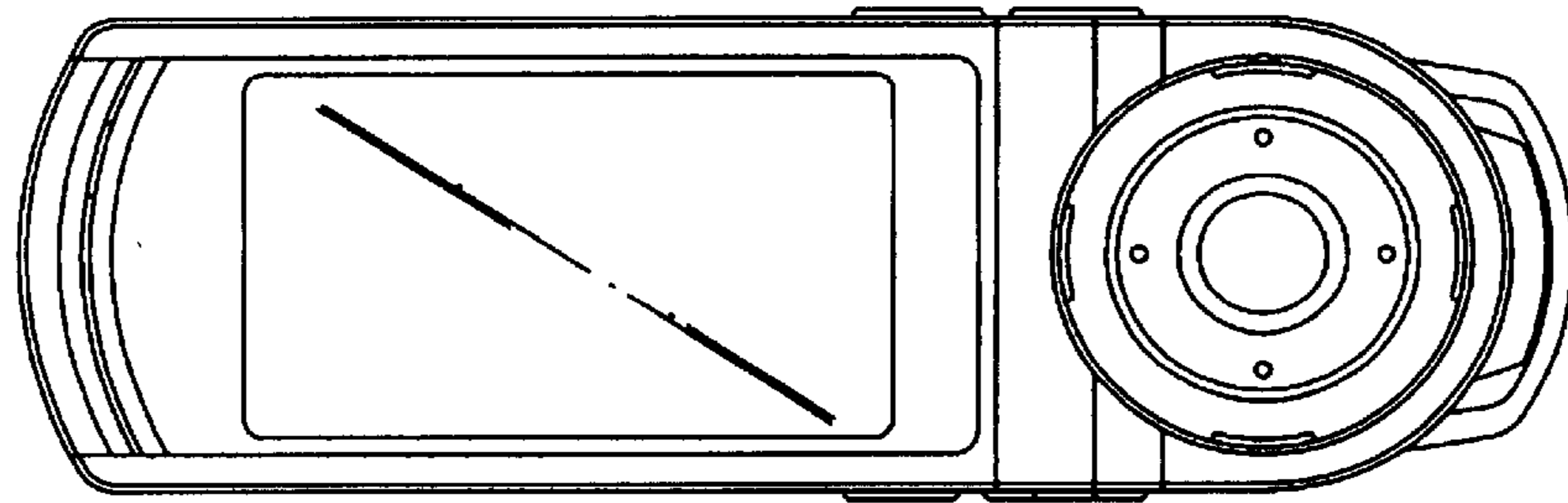


FIG.3

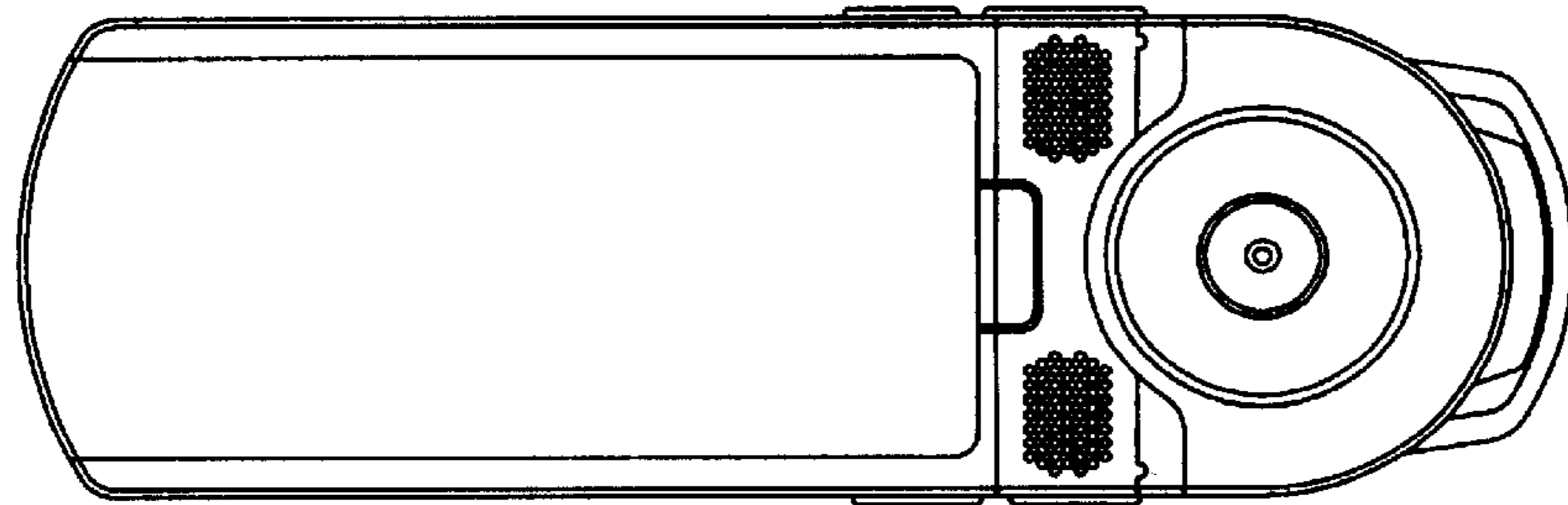


FIG.4

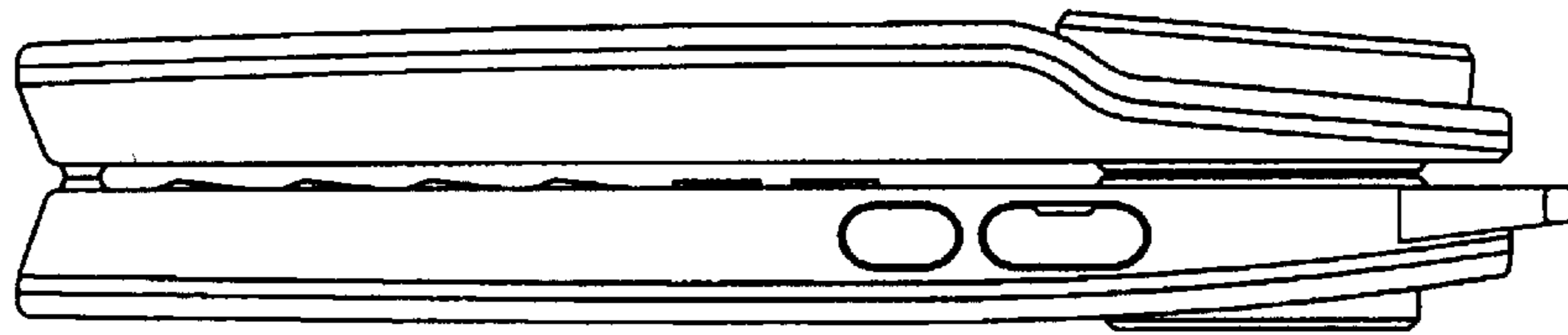


FIG.5

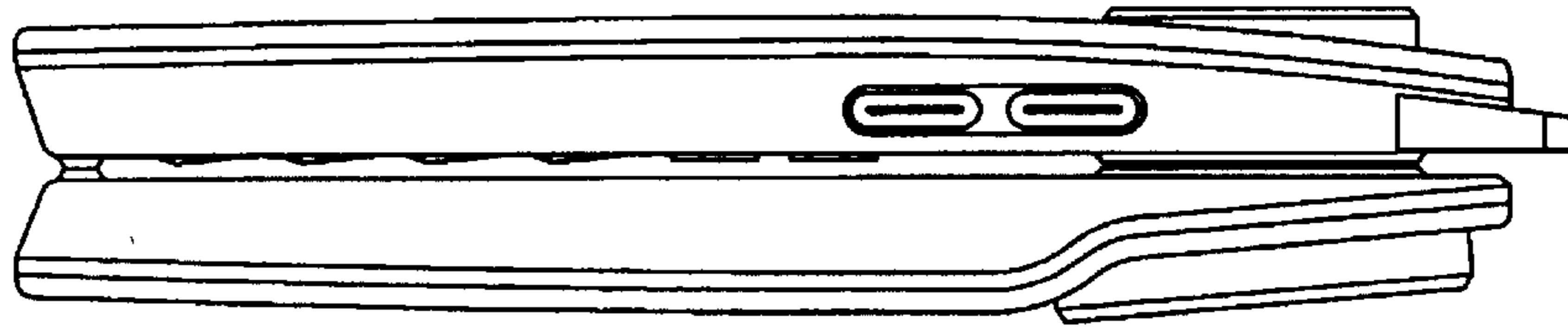


FIG. 6

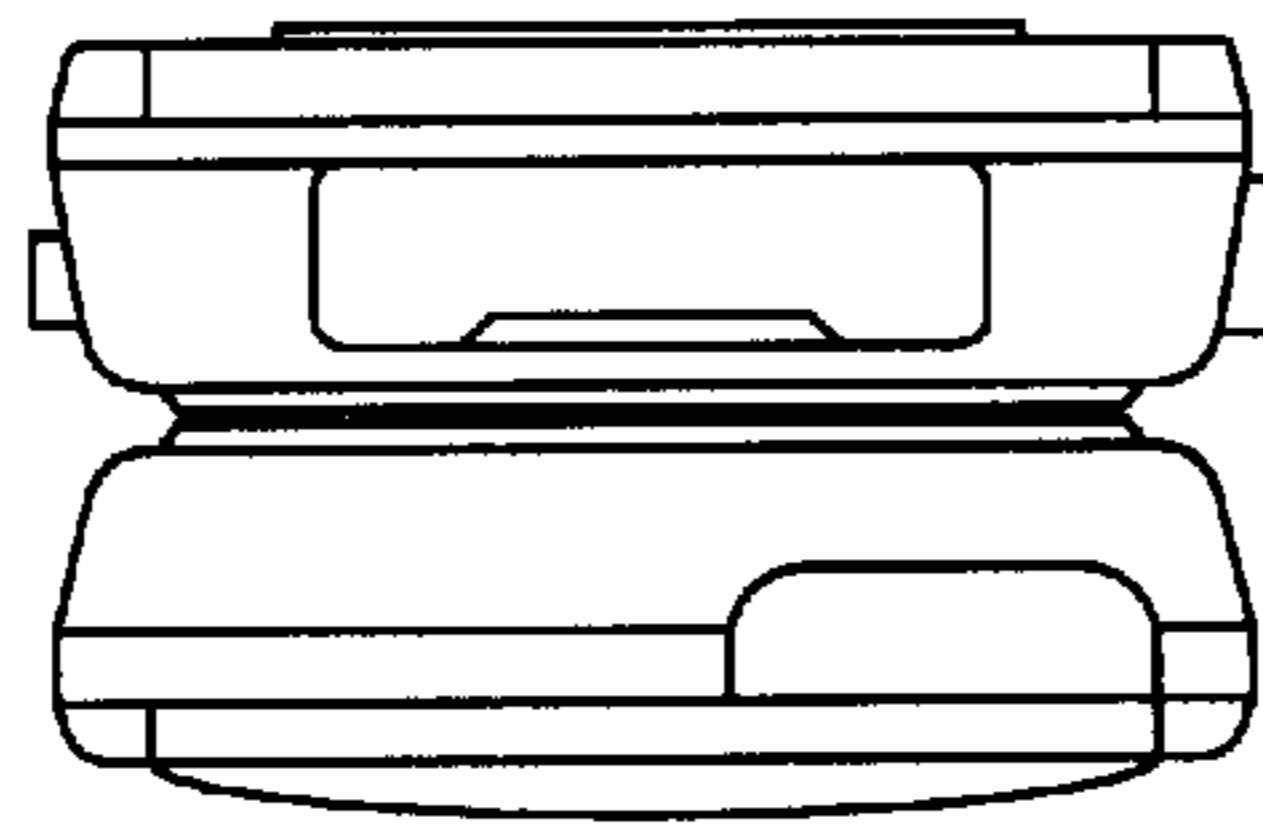


FIG. 7

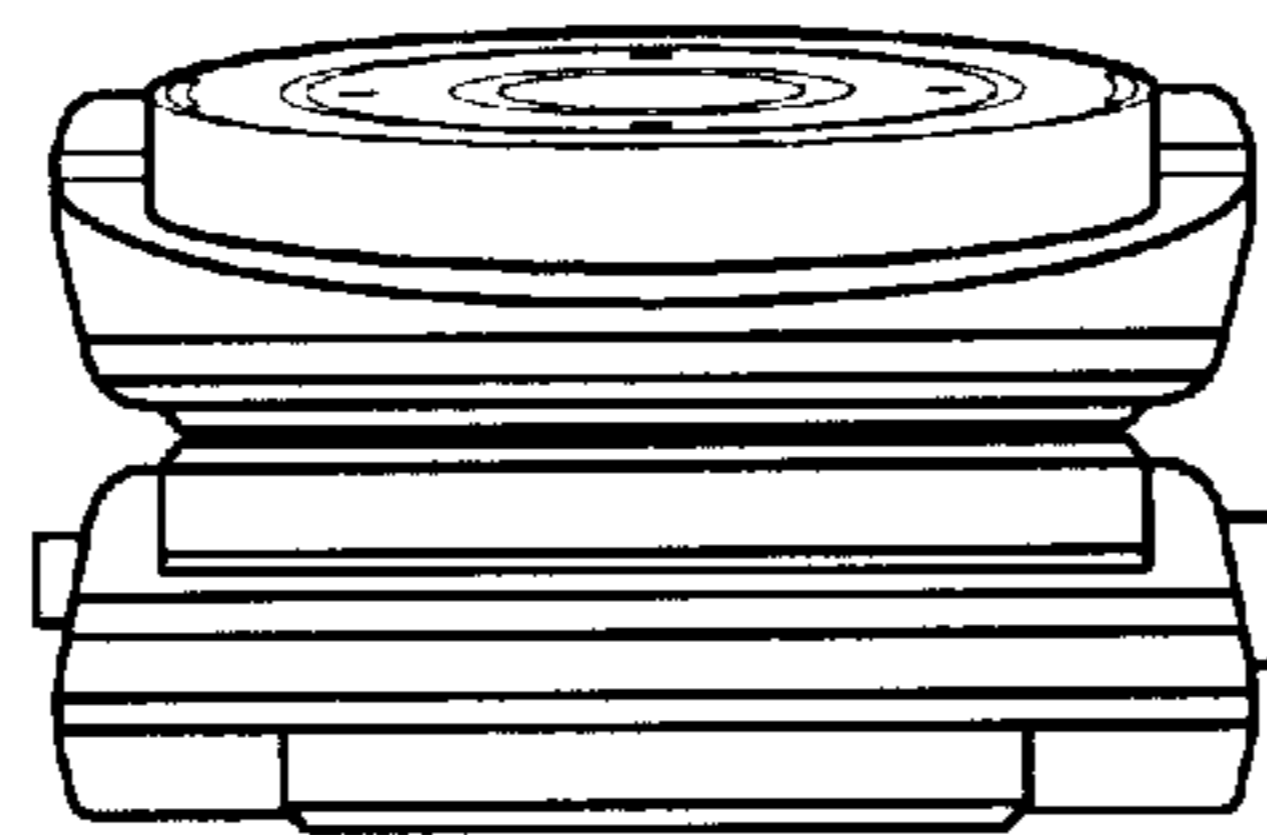


FIG. 8

