



US00D542757S

(12) **United States Design Patent**
Kim et al.

(10) **Patent No.:** **US D542,757 S**
(45) **Date of Patent:** **** May 15, 2007**

(54) **PORTABLE PHONE**

WO DM/066460 * 3/2005
WO DM/067801 * 4/2006

(75) Inventors: **Young-Sae Kim**, Palo Alto, CA (US);
Chi-Young Ahn, Seodaemun-Gu (KR);
Beom-Ku Han, Seoul (KR);
Chang-Hwan Hwang, Goyang-Si (KR)

OTHER PUBLICATIONS

Phillips 968 pictures, announced Jul. 2005, [online], [retrieved on Sep. 28, 2006]. Retrieved from Internet ,<URL: http://www.gsmarena.com>.*

(73) Assignee: **Samsung Electronics Co., Ltd.**,
Suwon-Si (KR)

Panasonic X300 pictures, announced 1st quarter 2004, [online], [retrieved on Sep. 28, 2006]. Retrieved from Internet ,<URL: http://www.gsmarena.com>.*

(**) Term: **14 Years**

Alcatel OT-C552 pictures, announced 3rd quarter 2005, [online], [retrieved on Oct. 3, 2006]. Retrieved from Internet ,<URL: http://www.gsmarena.com>.*

(21) Appl. No.: **29/234,730**

XCute DV2 pictures, announced 4th quarter 2005, [online], [retrieved on Sep. 28, 2006]. Retrieved from Internet ,<URL: http://www.gsmarena.com>.*

(22) Filed: **Jul. 22, 2005**

(30) **Foreign Application Priority Data**

Jan. 26, 2005 (KR) 30-2005-0002605

* cited by examiner

(51) **LOC (8) Cl.** **14-03**

(52) **U.S. Cl.** **D14/138**

(58) **Field of Classification Search** D14/341-347,
D14/138, 137, 147, 218; 455/575.1, 575.3,
455/575.4, 90.3, 556.1, 556.2; 379/433.01-433.13;
361/814; 348/14.02

Primary Examiner—Jeffrey Asch
Assistant Examiner—Bridget L. Eland
(74) *Attorney, Agent, or Firm*—Staas & Halsey LLP

See application file for complete search history.

(57) **CLAIM**

The ornamental design for the portable phone, as shown and described.

(56) **References Cited**

DESCRIPTION

U.S. PATENT DOCUMENTS

- 5,491,507 A * 2/1996 Umezawa et al. 348/14.02
- D379,981 S * 6/1997 Williams et al. D14/138
- D405,457 S * 2/1999 Kawashima D16/208
- D409,583 S * 5/1999 Nishida et al. D14/317
- D416,255 S * 11/1999 Johansson et al. D14/144
- D447,740 S * 9/2001 Johansson D14/138
- D449,825 S * 10/2001 Rickmann D14/138
- 6,690,417 B1 * 2/2004 Yoshida et al. 348/231.1
- D508,902 S * 8/2005 Lee et al. D14/138
- 6,995,799 B2 * 2/2006 Itoh et al. 348/333.06
- 2004/0198248 A1 * 10/2004 Krenz et al. 455/90.1
- 2005/0113155 A1 * 5/2005 Kim et al. 455/575.4
- 2006/0111146 A1 * 5/2006 Kim 455/557

FIG. 1 is a perspective view of the portable phone showing our design;
FIG. 2 is a front view thereof;
FIG. 3 is a rear view thereof;
FIG. 4 is a left side view thereof;
FIG. 5 is a right side view thereof;
FIG. 6 is a top plan view thereof;
FIG. 7 is a bottom plan view thereof;
FIG. 8 is a right side view showing the moveable panel open to a first alternate position; and,
FIG. 9 is a front view showing the moveable panel rotated to a second alternate position.

FOREIGN PATENT DOCUMENTS

WO DM/065843 * 8/2004

1 Claim, 6 Drawing Sheets

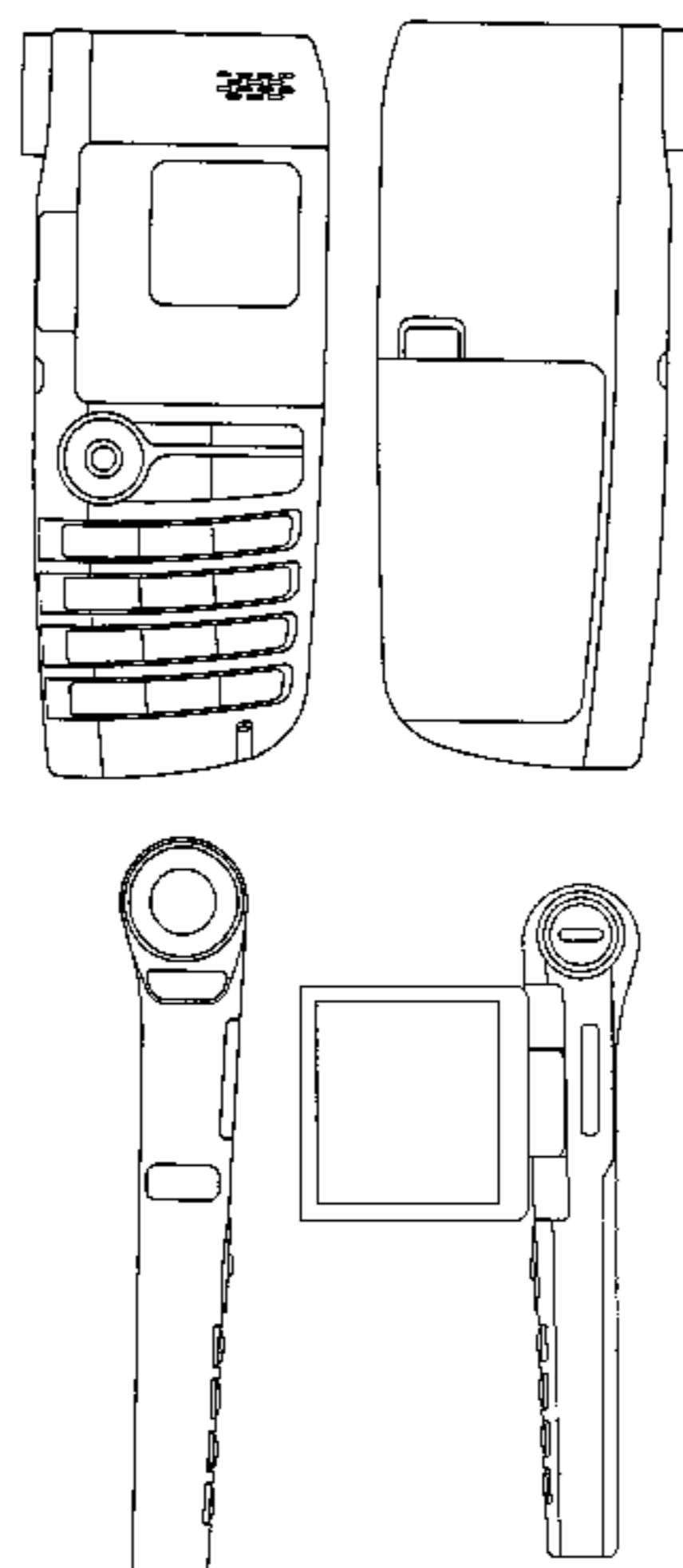


FIG. 1

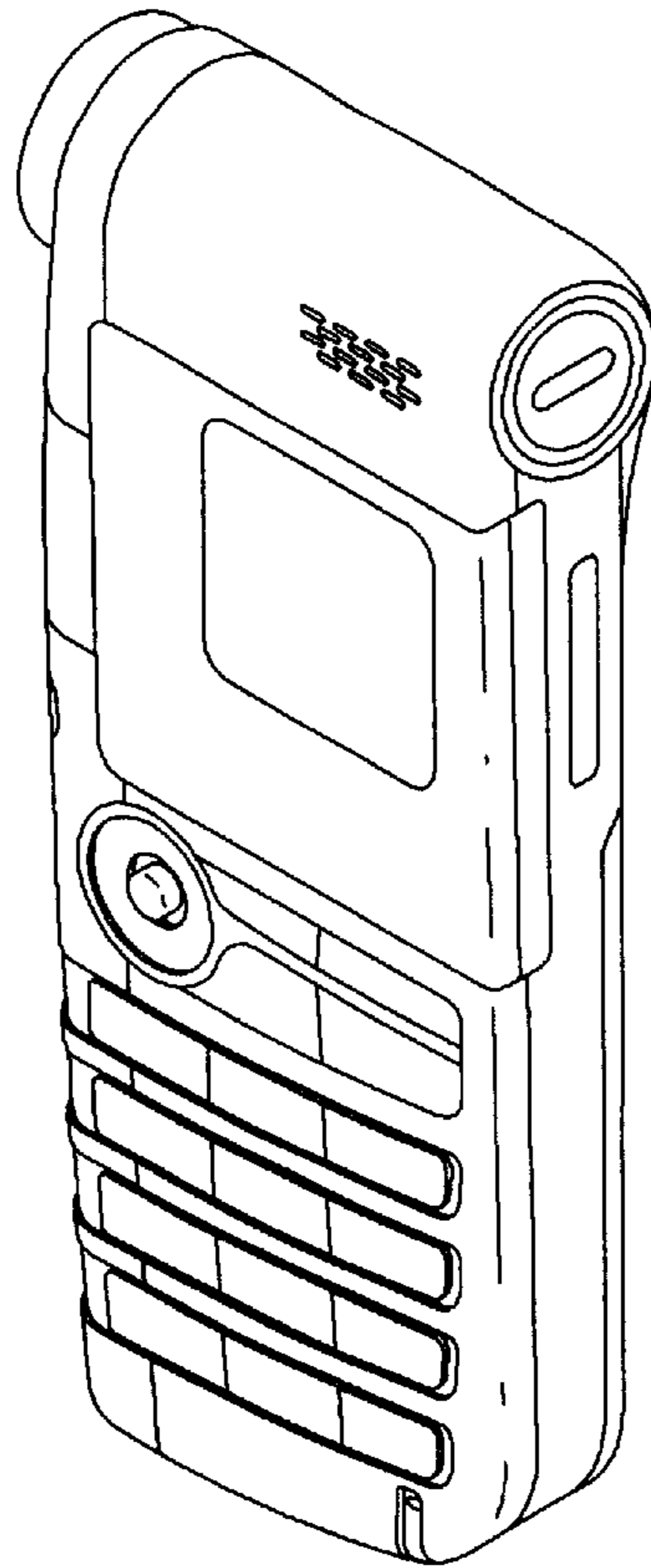


FIG. 2

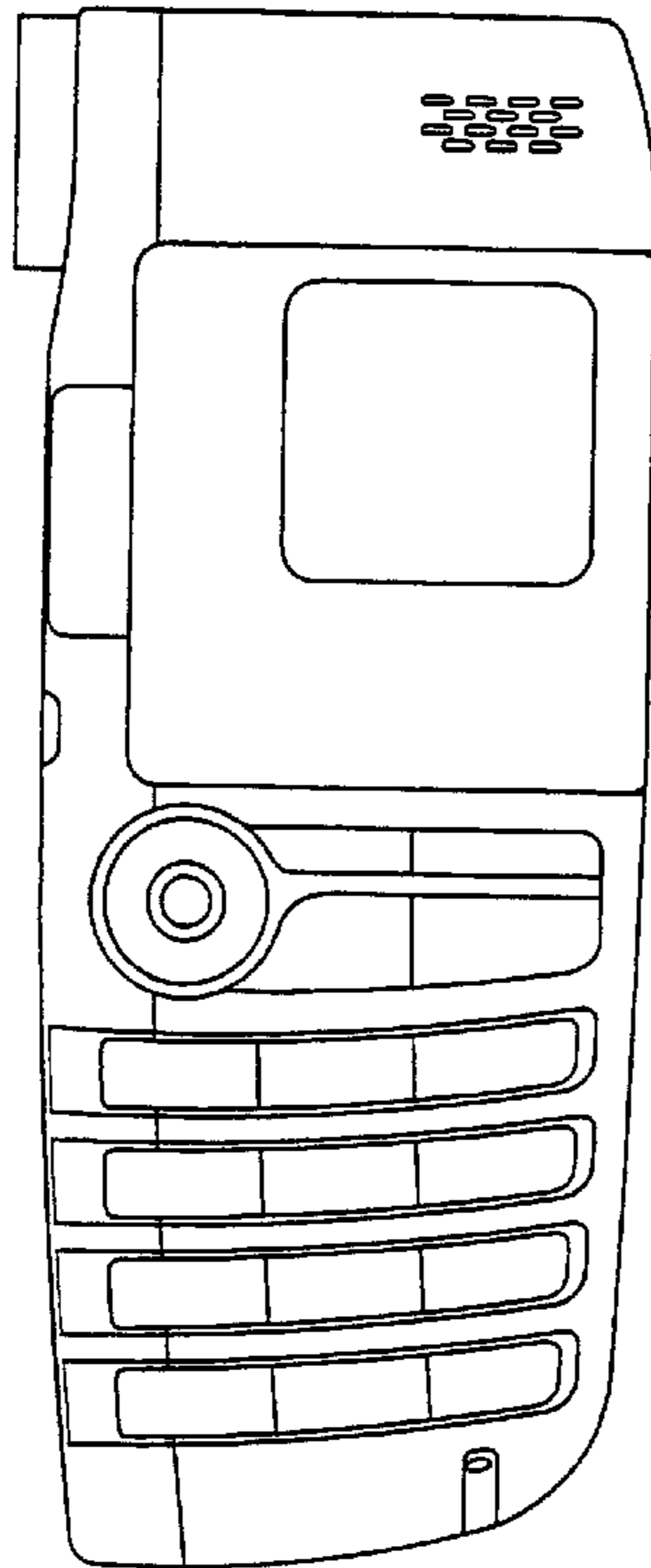
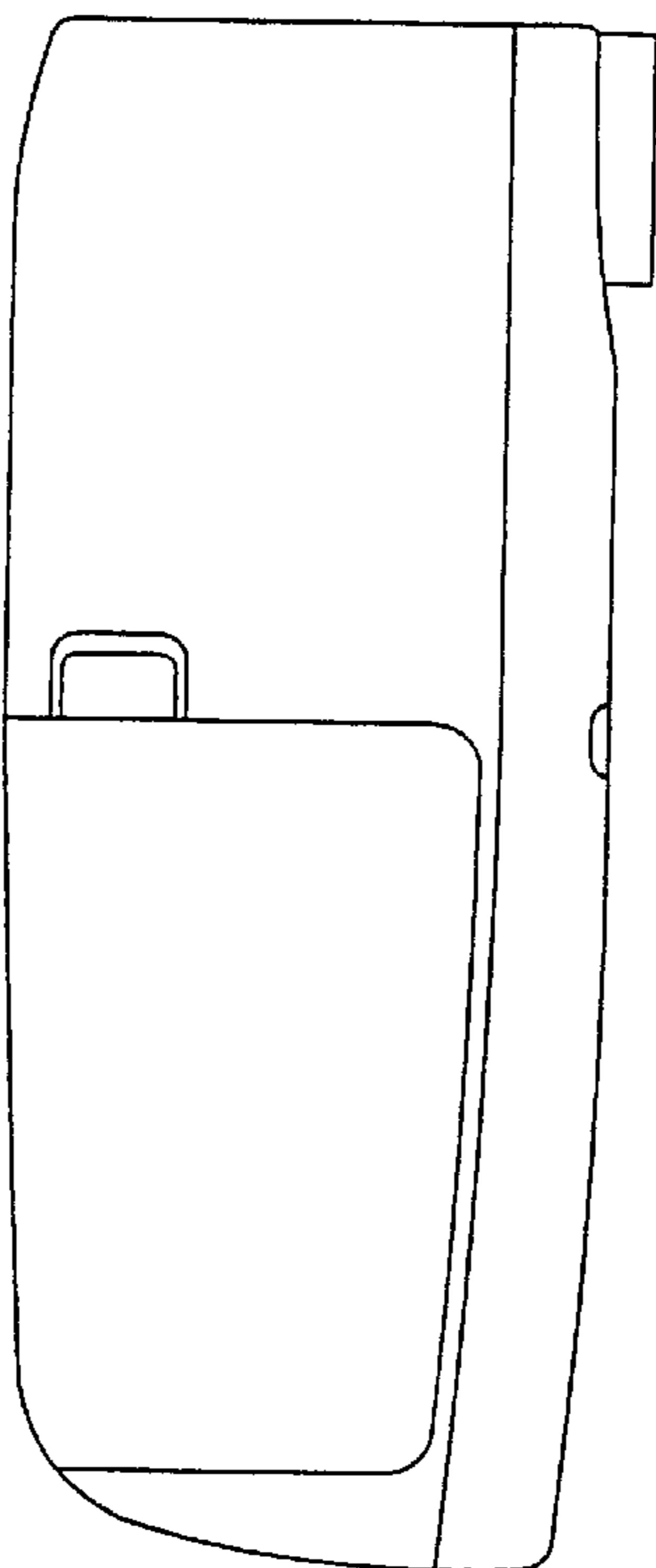


FIG. 3



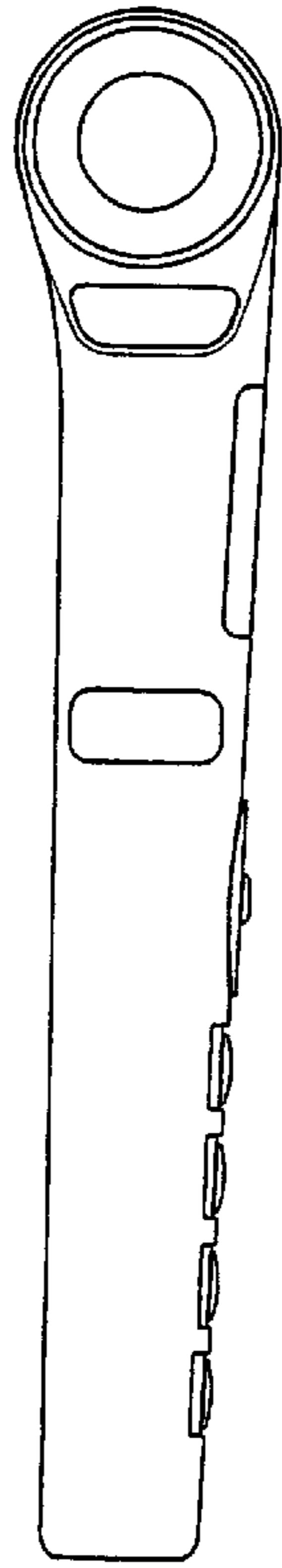


FIG. 4

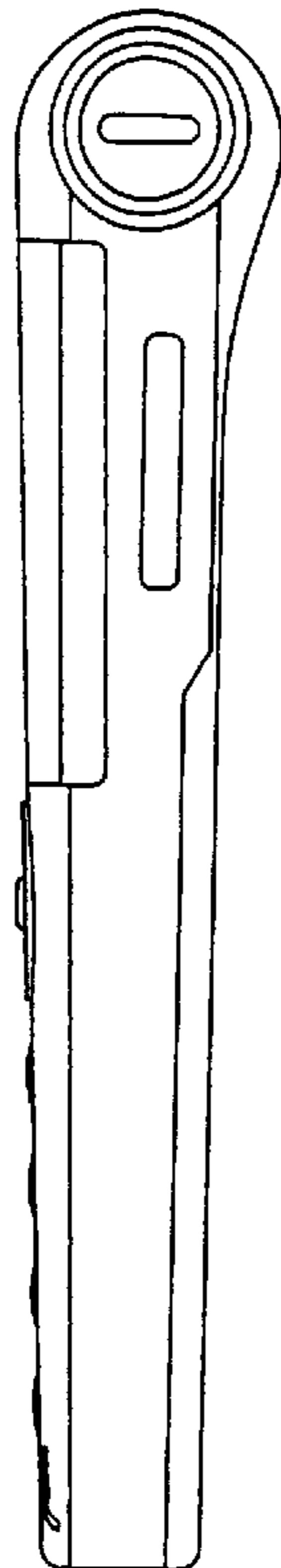


FIG. 5

FIG. 6

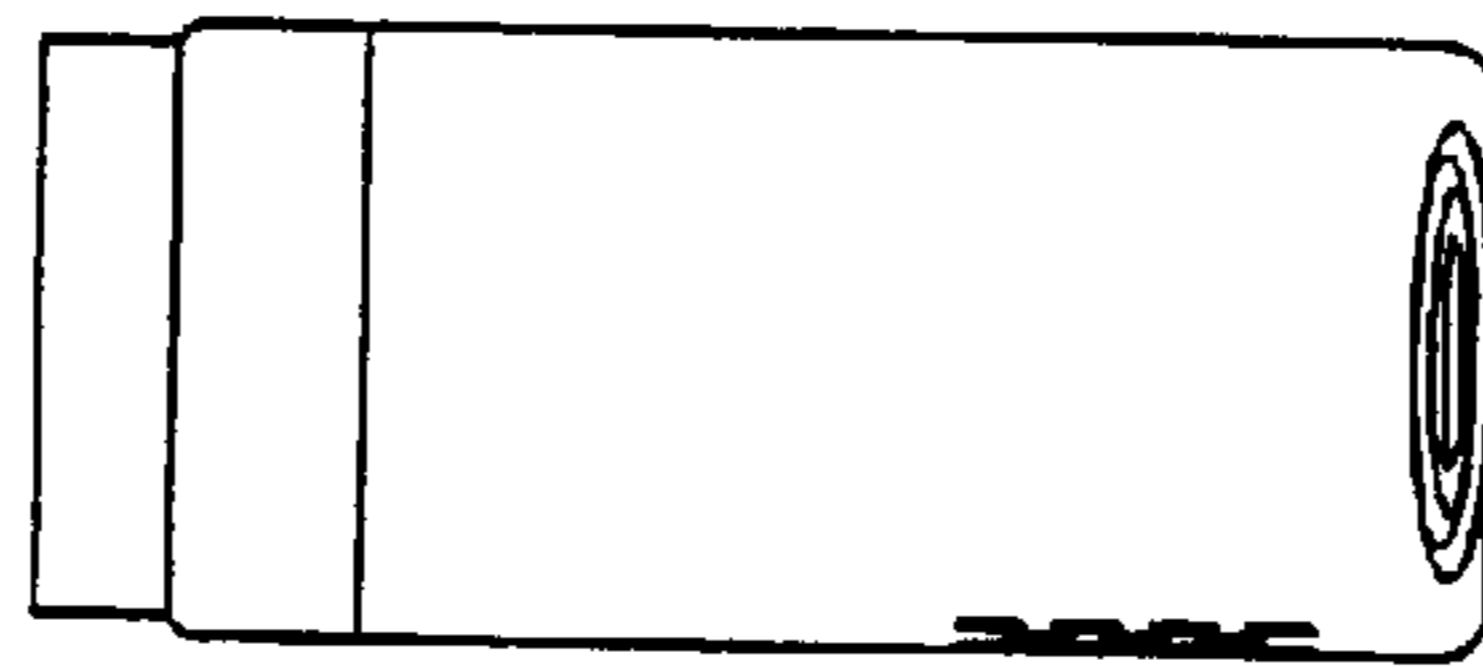


FIG. 7

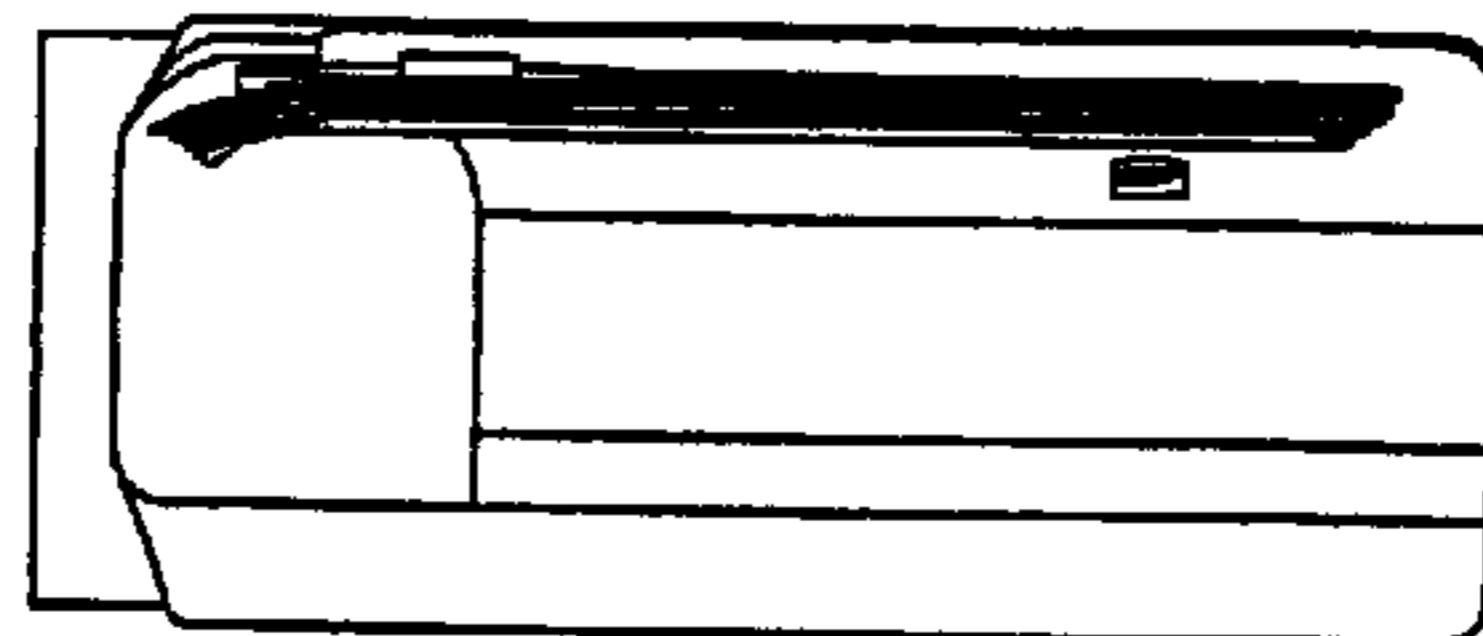


FIG. 8

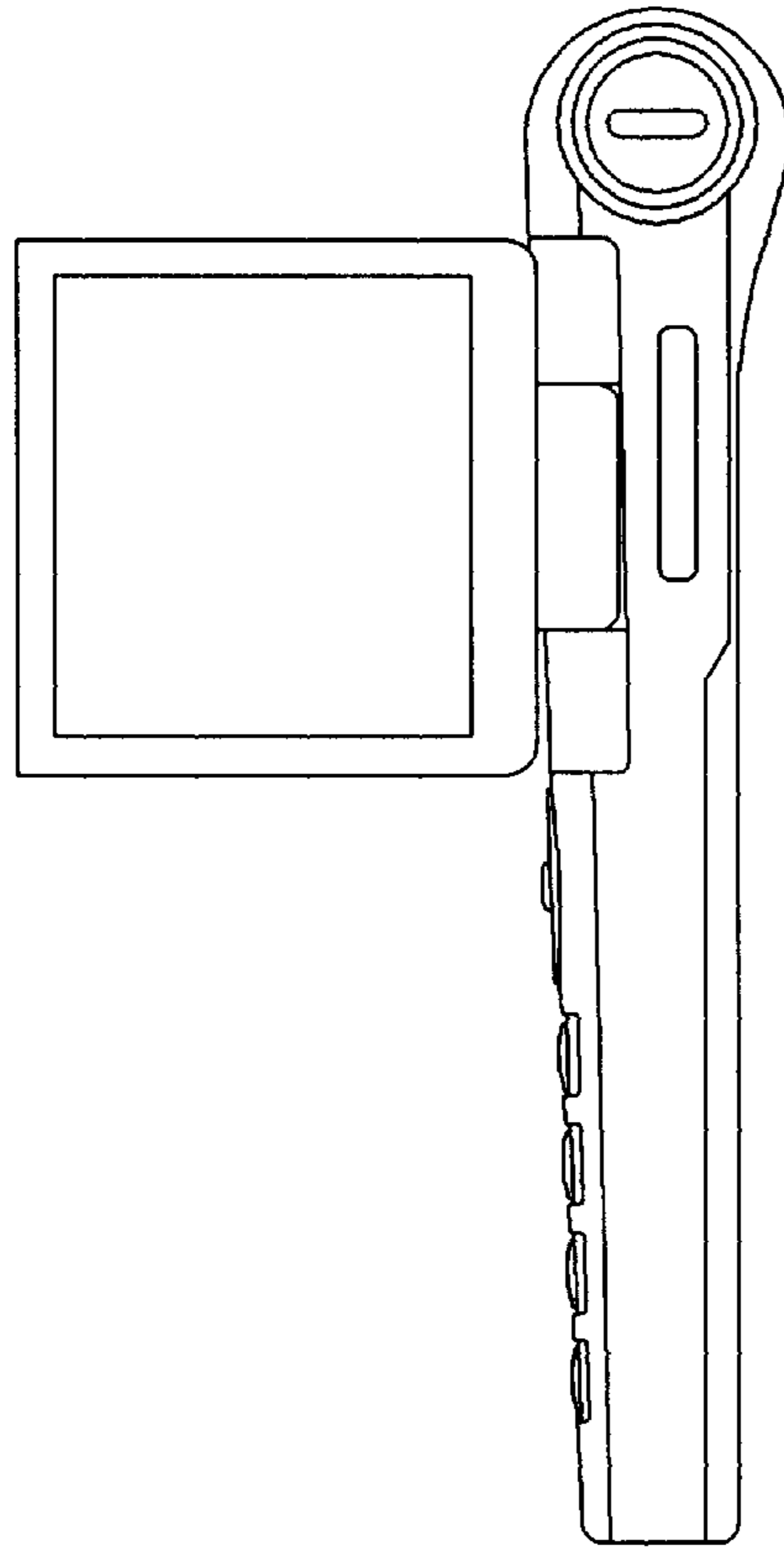


FIG. 9

