



US00D542752S

(12) **United States Design Patent**  
**Liang et al.**

(10) **Patent No.:** **US D542,752 S**

(45) **Date of Patent:** **\*\* May 15, 2007**

(54) **MEDIA PLAYER**

(75) Inventors: **Li-Ni Liang**, Shenzhen (CN); **He-Li Wang**, Shenzhen (CN); **Sung-Yi Kao**, Tu-cheng (TW)

(73) Assignee: **Hon Hai Precision Industry Co. Ltd.**, Taipei Hsien (TW)

(\*\*) Term: **14 Years**

(21) Appl. No.: **29/243,462**

(22) Filed: **Nov. 23, 2005**

(30) **Foreign Application Priority Data**

Jul. 29, 2005 (CN) ..... 2005 3 0065565

(51) **LOC (8) Cl.** ..... **14-01**

(52) **U.S. Cl.** ..... **D14/136**

(58) **Field of Classification Search** ..... D14/135-136, D14/156-157, 167-168, 192-198, 496; 360/99.02, 360/99.07; 369/75.11, 75.21, 77.21, 77.11; 720/612, 619, 647, 655; 455/344, 347-351  
See application file for complete search history.

(56) **References Cited**

**U.S. PATENT DOCUMENTS**

5,654,846 A \* 8/1997 Wicks et al. .... 720/655

5,870,367 A \* 2/1999 Yamamori ..... 720/669  
D416,896 S \* 11/1999 Ogasawara ..... D14/156  
D498,740 S \* 11/2004 Shiono ..... D14/156  
D499,388 S \* 12/2004 Murakami ..... D14/136

\* cited by examiner

*Primary Examiner*—Nanda Bondade

(74) *Attorney, Agent, or Firm*—Jeffrey T. Knapp

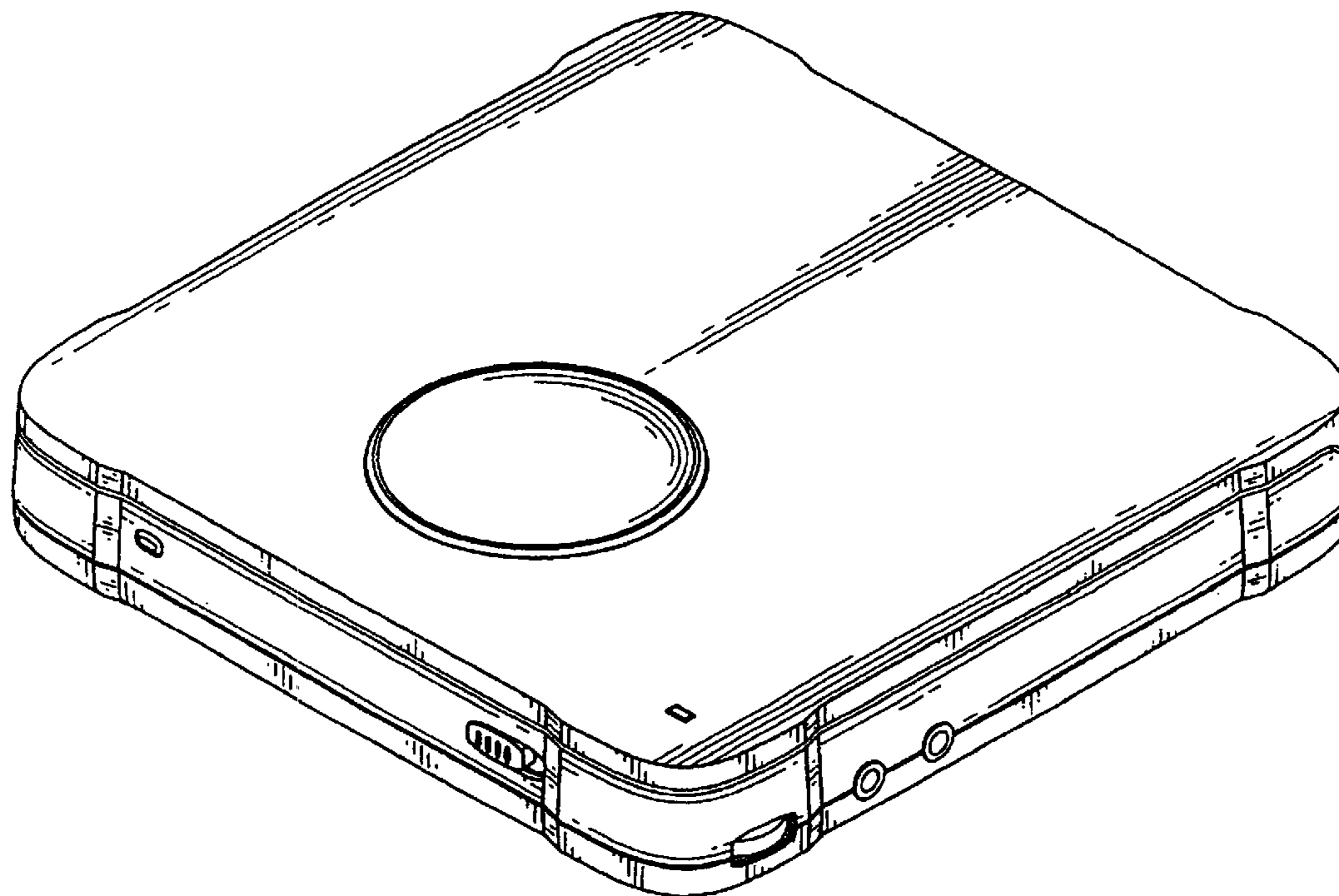
(57) **CLAIM**

The ornamental design for a media player, as shown and described.

**DESCRIPTION**

FIG. 1 is a top, front, and right side perspective view of a media player showing our new design; FIG. 2 is a front elevational view thereof; FIG. 3 is a rear elevational view thereof; FIG. 4 is a left-side, elevational view thereof; FIG. 5 is a right-side, elevational view thereof; FIG. 6 is a top plan view thereof; FIG. 7 is a bottom plan view thereof; and, FIG. 8 is a top, front, and right-side perspective view, showing the article with a lid thereof in a released position. The broken line showing on FIG. 8 is for illustrative purposes only and forms no part of the claimed design.

**1 Claim, 6 Drawing Sheets**



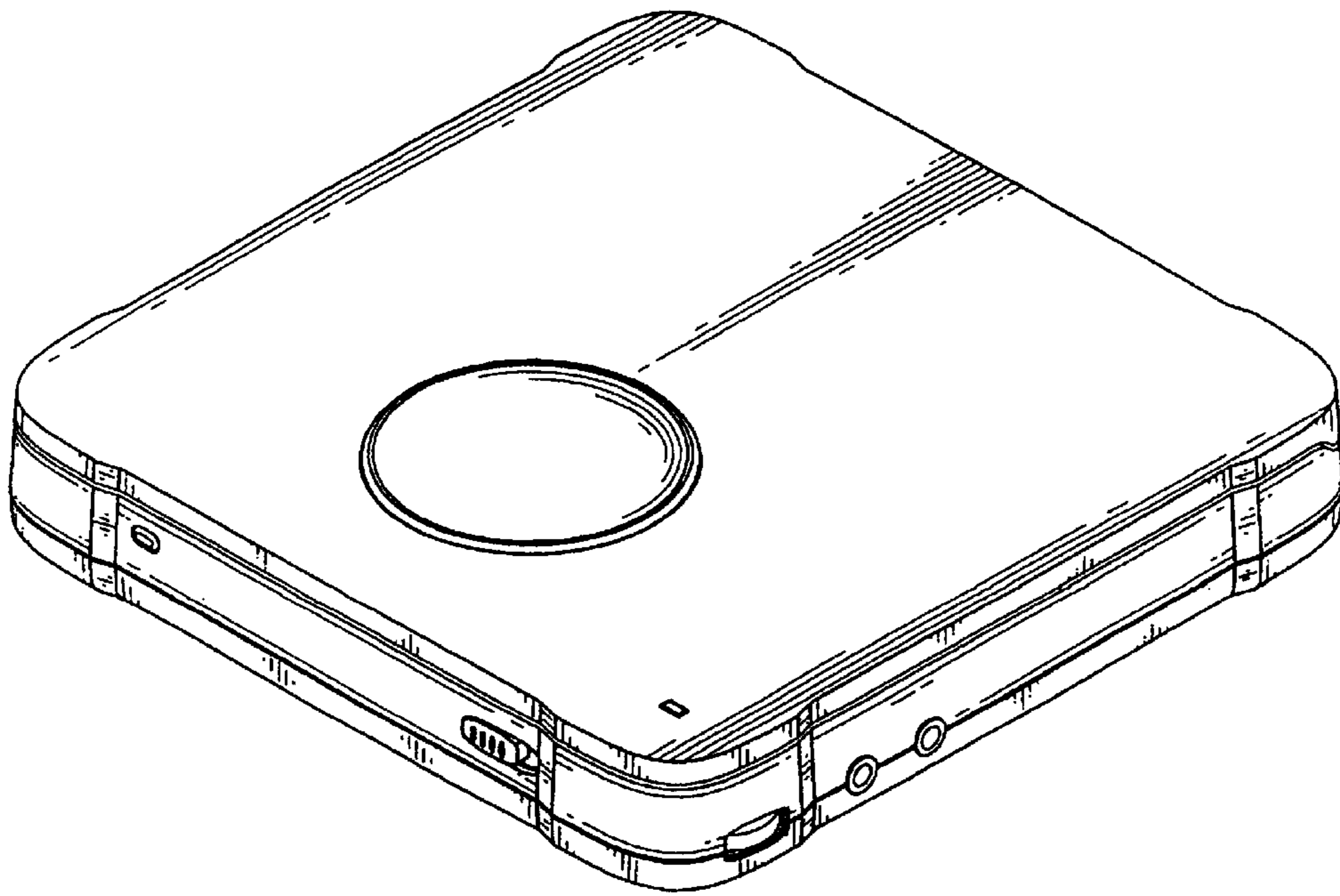


FIG. 1

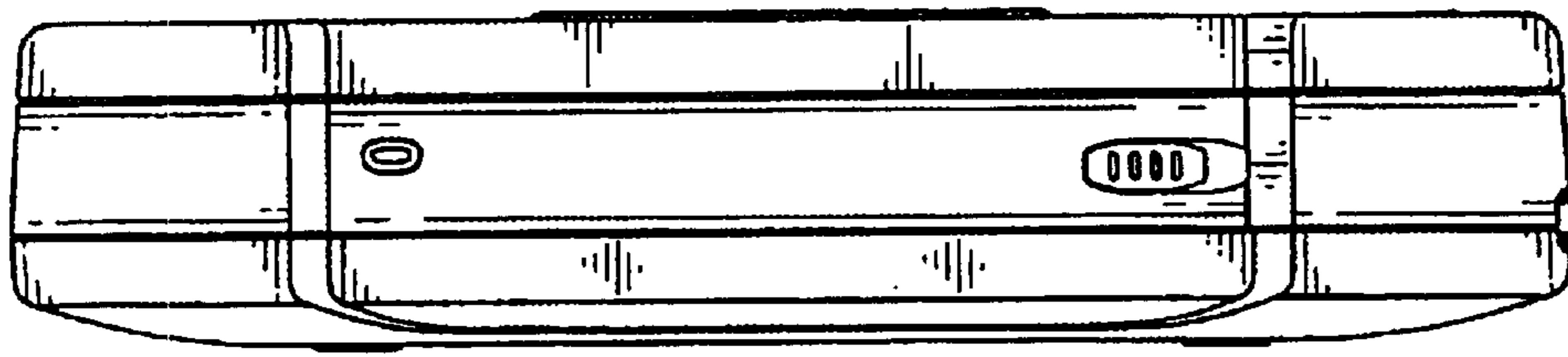


FIG. 2

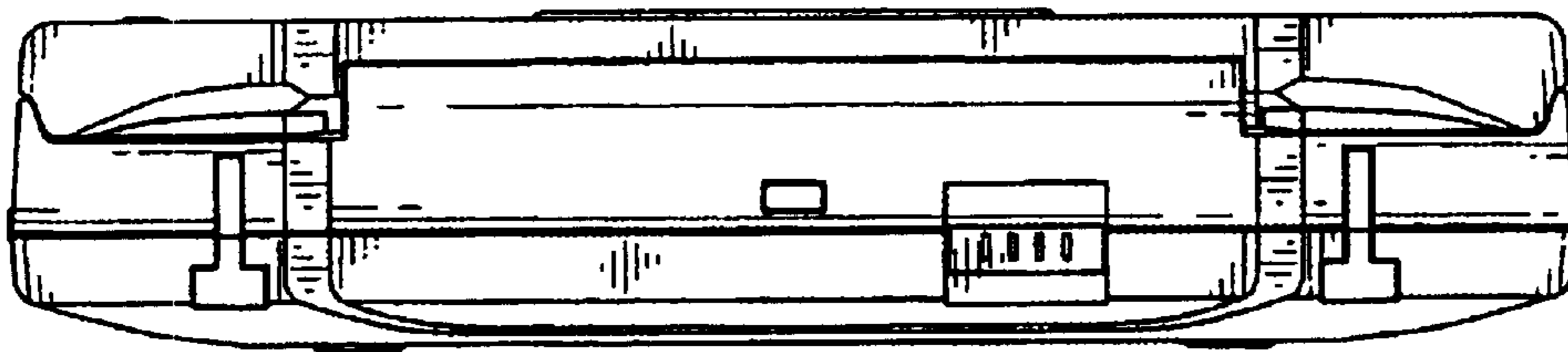


FIG. 3

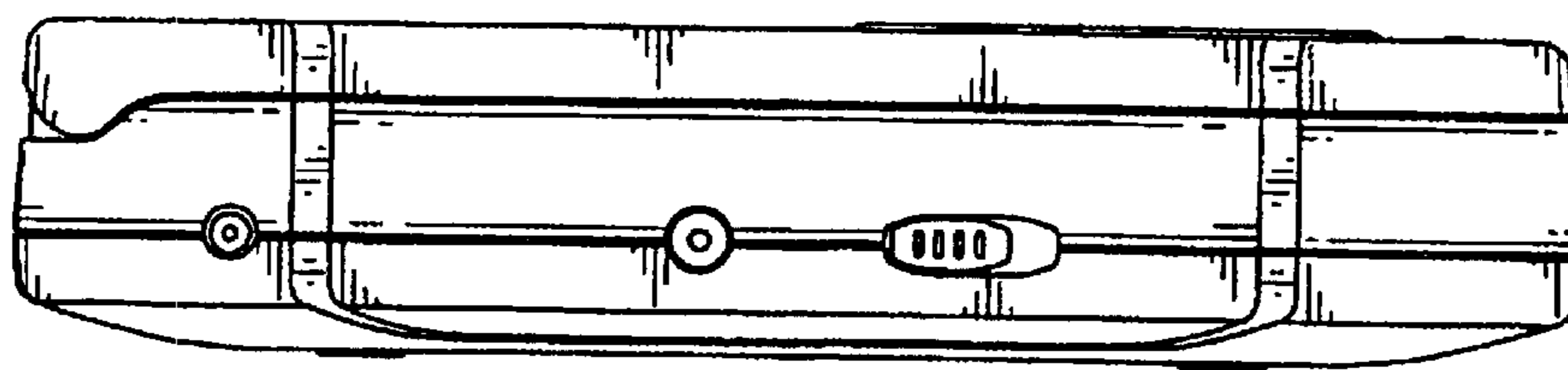


FIG. 4

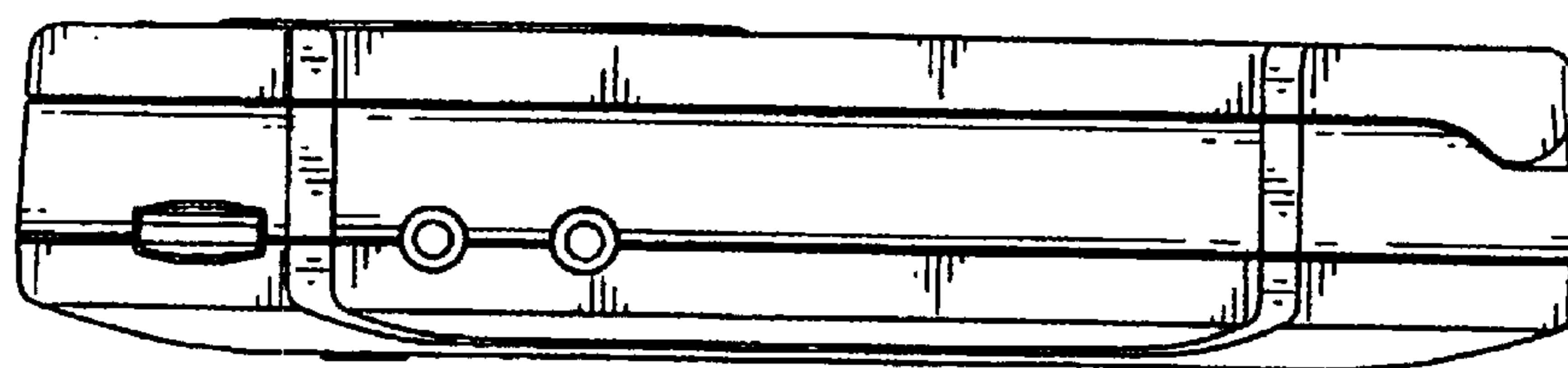


FIG. 5

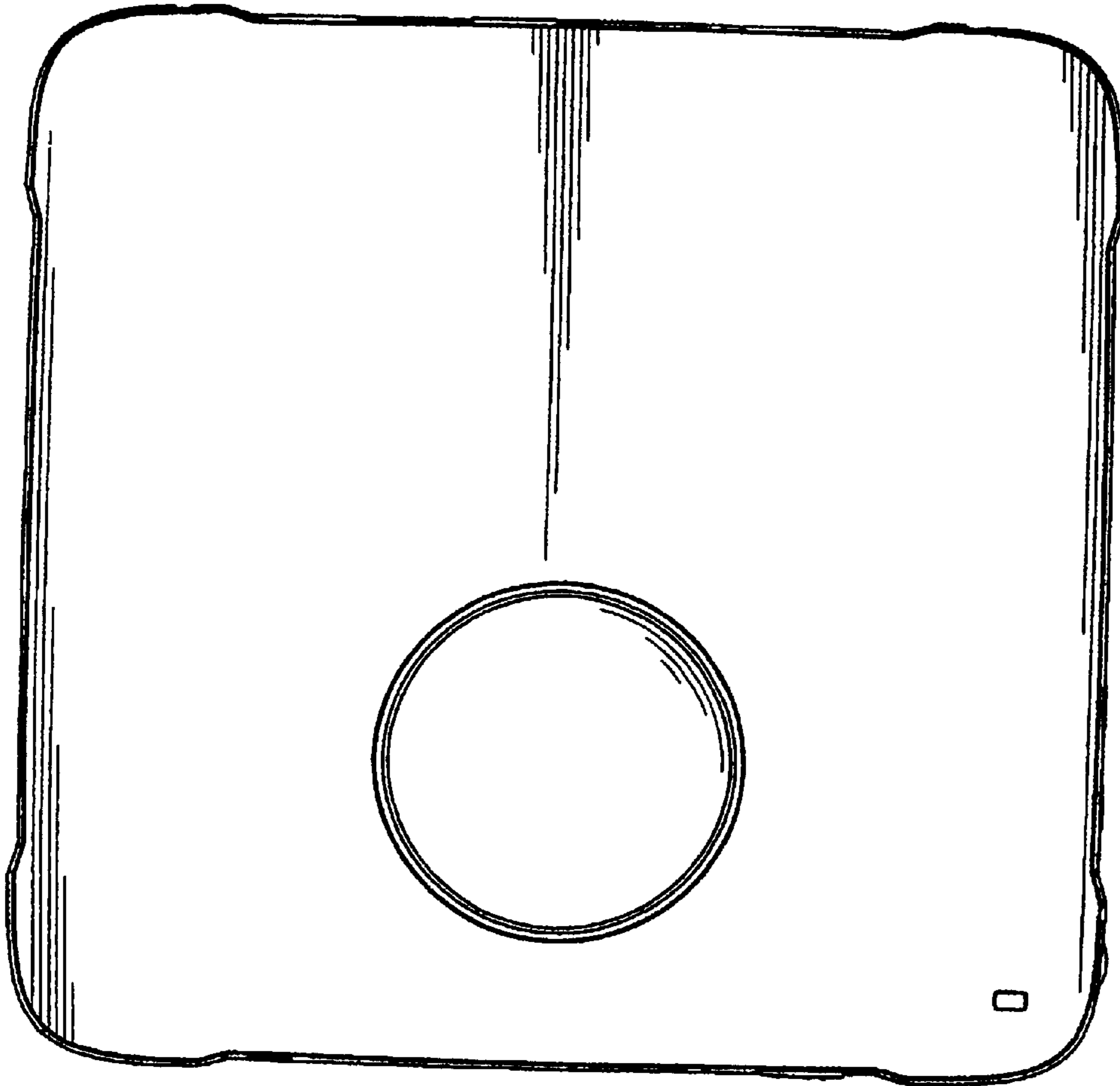


FIG. 6

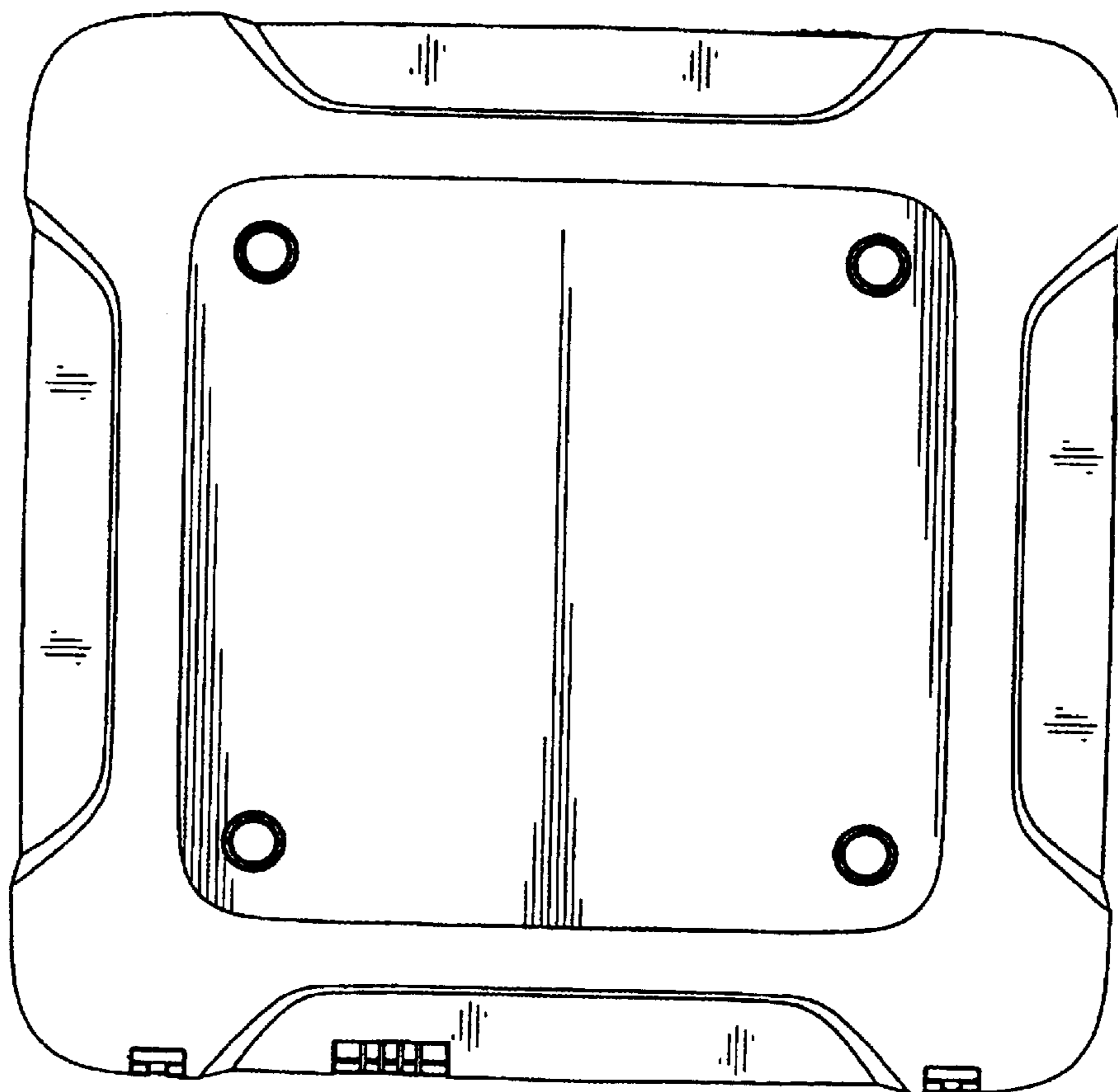


FIG. 7

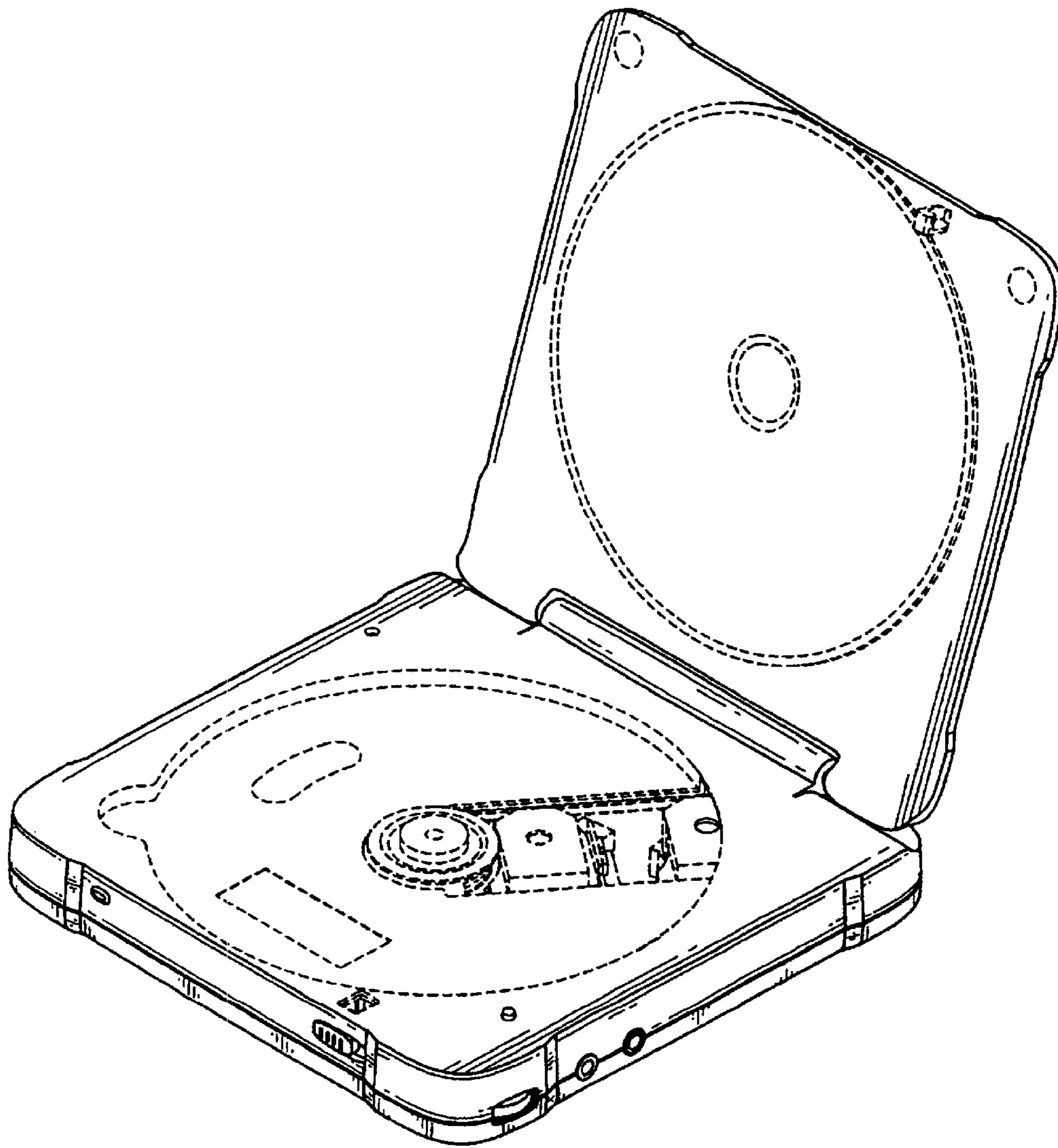


FIG. 8