

US00D542751S

(12) **United States Design Patent**  
**Guo et al.**

(10) **Patent No.:** **US D542,751 S**

(45) **Date of Patent:** **\*\* May 15, 2007**

(54) **DISC PLAYER**

(75) Inventors: **Shi-Kun Guo**, Shen-Zhen (CN); **Li-Ni Liang**, Shen-Zhen (CN)

(73) Assignee: **Hon Hai Precision Industry Co., Ltd.**, Tu-Cheng, Taipei Hsien (TW)

(\*\*) Term: **14 Years**

(21) Appl. No.: **29/241,555**

(22) Filed: **Oct. 28, 2005**

(51) **LOC (8) Cl.** ..... **14-03**

(52) **U.S. Cl.** ..... **D14/132; D14/156**

(58) **Field of Classification Search** ..... D14/135, D14/136, 156, 157, 160-168, 132, 188, 496, D14/129; 362/26, 27, 86; 369/6-12, 77.1; 455/344-351; 386/125, 126

See application file for complete search history.

(56) **References Cited**

**U.S. PATENT DOCUMENTS**

4,646,158	A	*	2/1987	Ohno et al.	.....	348/794
5,265,083	A	*	11/1993	Ishii et al.	.....	720/605
D453,325	S	*	2/2002	Okada et al.	.....	D14/132
D484,472	S	*	12/2003	Isshiki	.....	D14/132
D485,540	S	*	1/2004	Isshiki	.....	D14/129
6,772,422	B2	*	8/2004	Yano et al.	.....	720/600

6,795,377	B2	*	9/2004	Gorden	.....	368/12
D509,491	S	*	9/2005	Chen	.....	D14/132
D513,500	S	*	1/2006	Chen	.....	D14/129
D517,029	S	*	3/2006	Kawasaki	.....	D14/129

\* cited by examiner

*Primary Examiner*—Prabhakar Deshmukh

(74) *Attorney, Agent, or Firm*—Jeffrey T. Knapp

(57) **CLAIM**

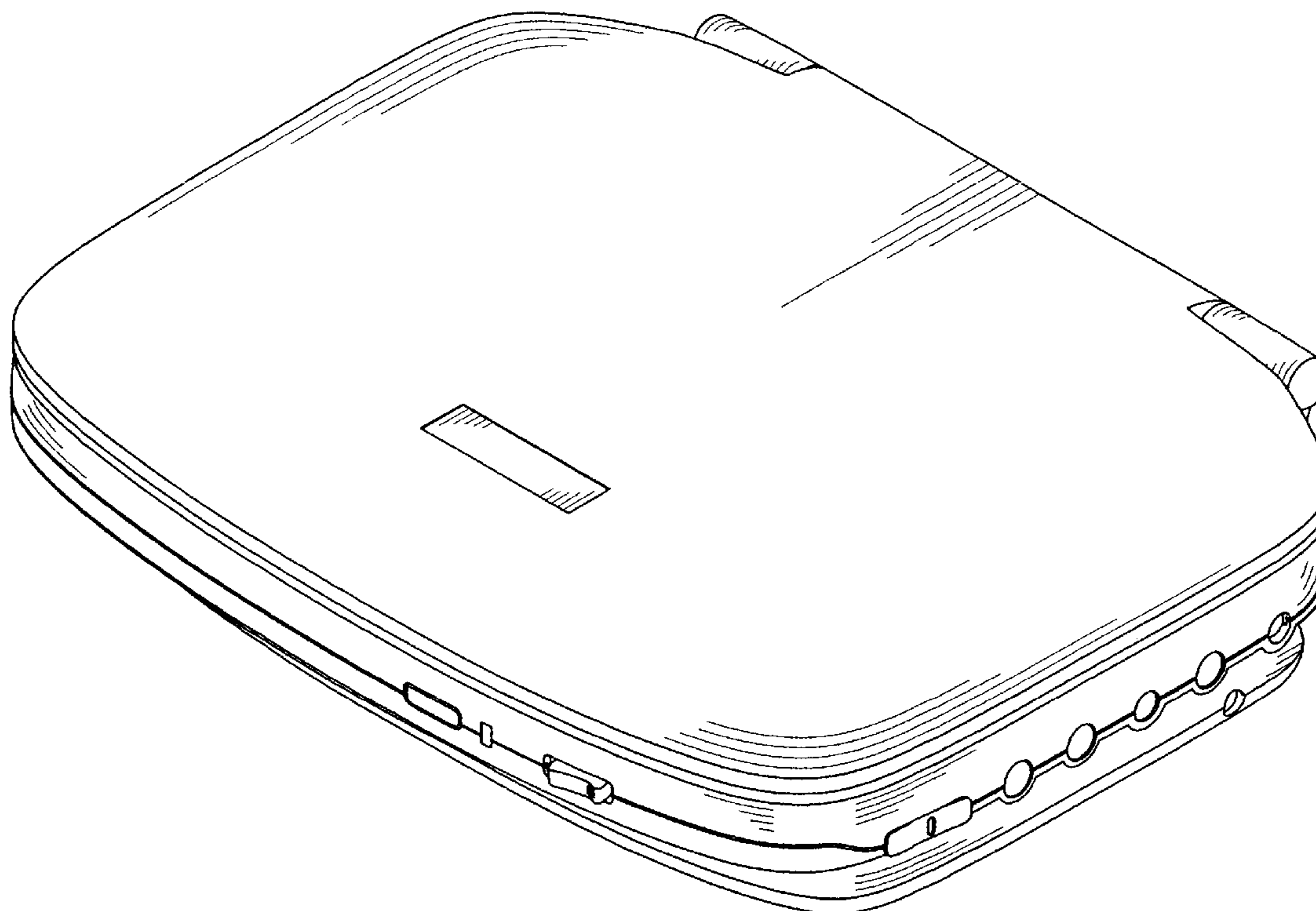
The ornamental design for a disc player, as shown and described.

**DESCRIPTION**

FIG. 1 is a top, front, and right side perspective view of a disc player showing our new design; FIG. 2 is a front elevational view thereof; FIG. 3 is a rear elevational view thereof; FIG. 4 is a left-side, elevational view thereof; FIG. 5 is a right-side, elevational view thereof; FIG. 6 is a top plan view thereof; FIG. 7 is a bottom plan view thereof; and, FIG. 8 is a top, front, and right-side perspective view, showing the article with a lid thereof rotated away to an open position.

The broken lines are shown for the intended use of environment and form no part of the claimed design.

**1 Claim, 6 Drawing Sheets**



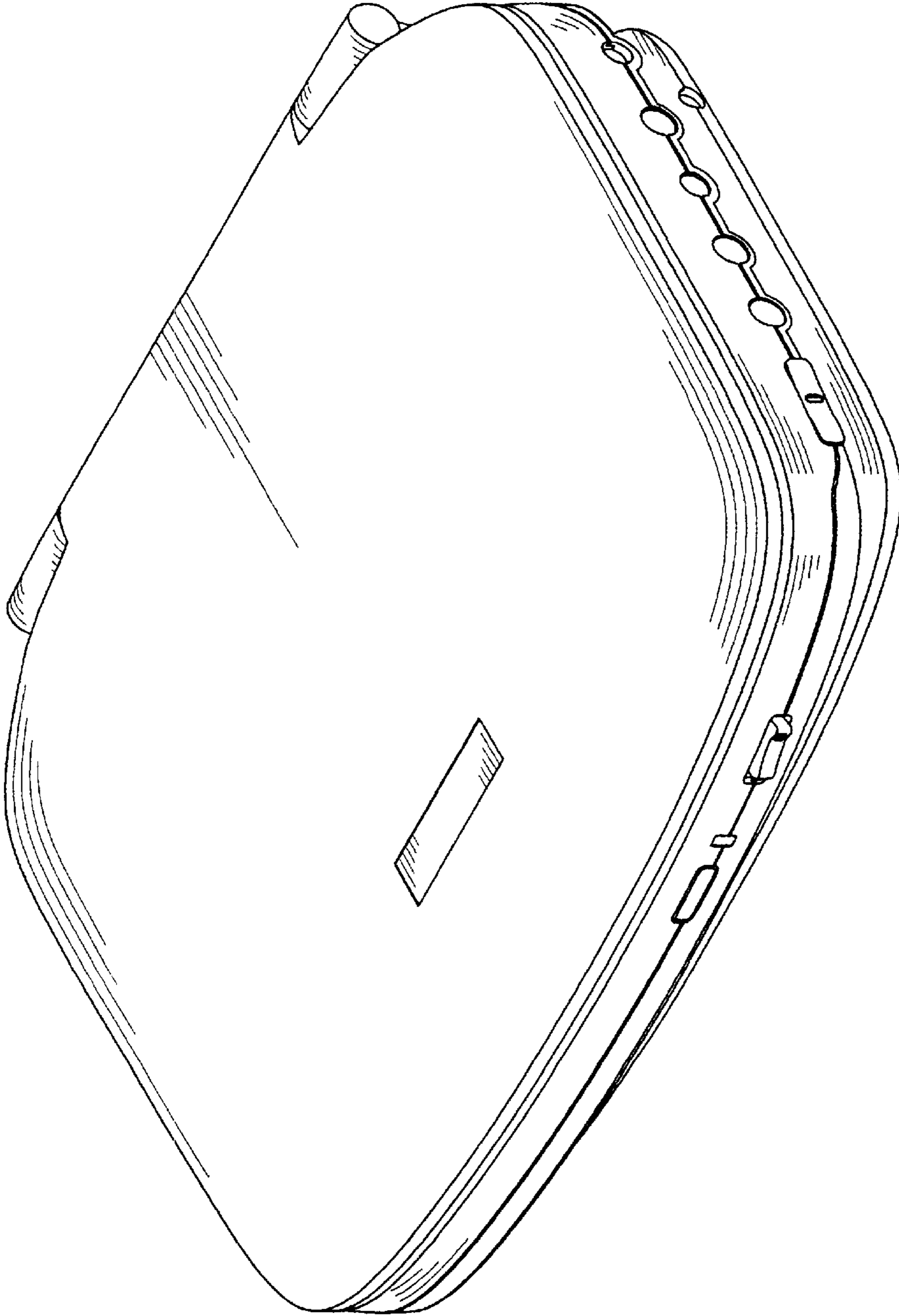


FIG. 1

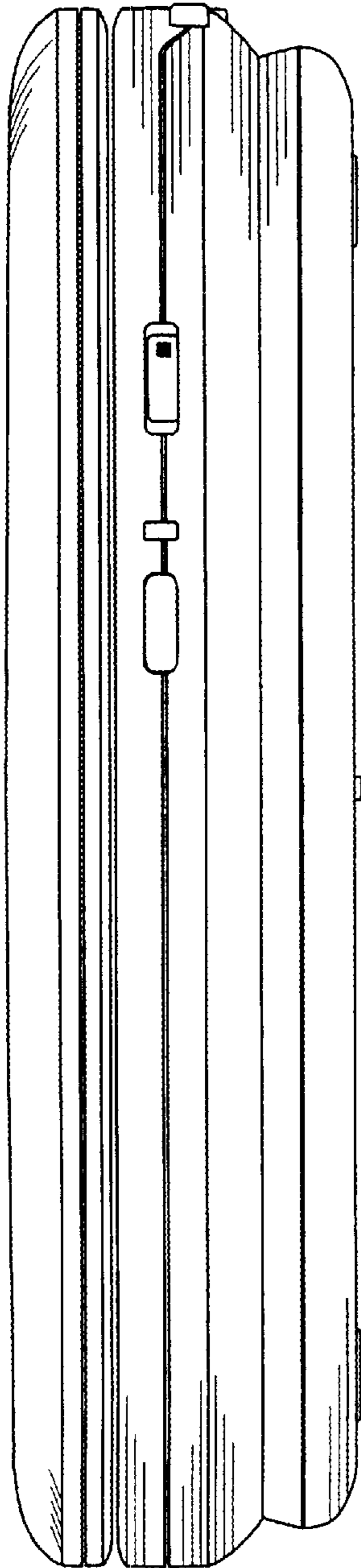


FIG. 2

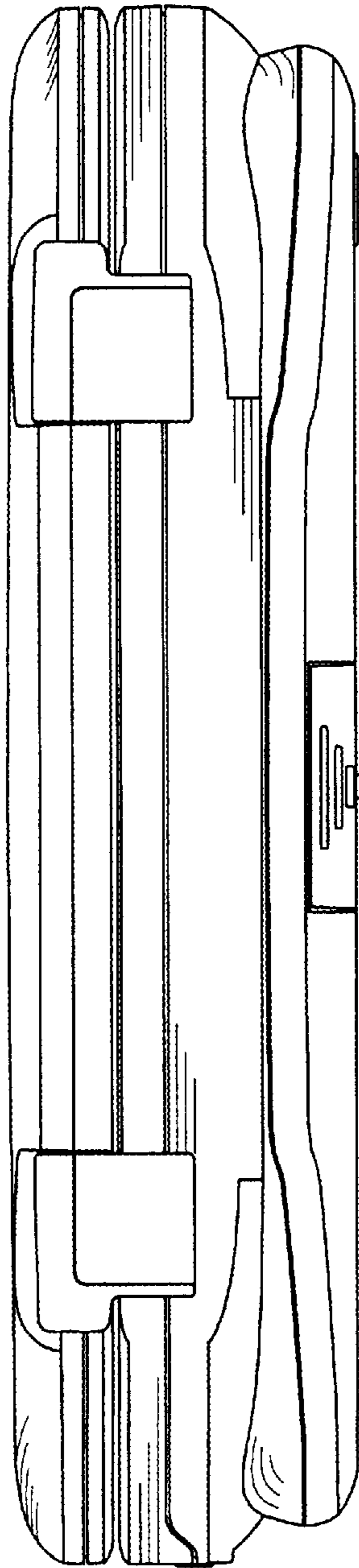


FIG. 3

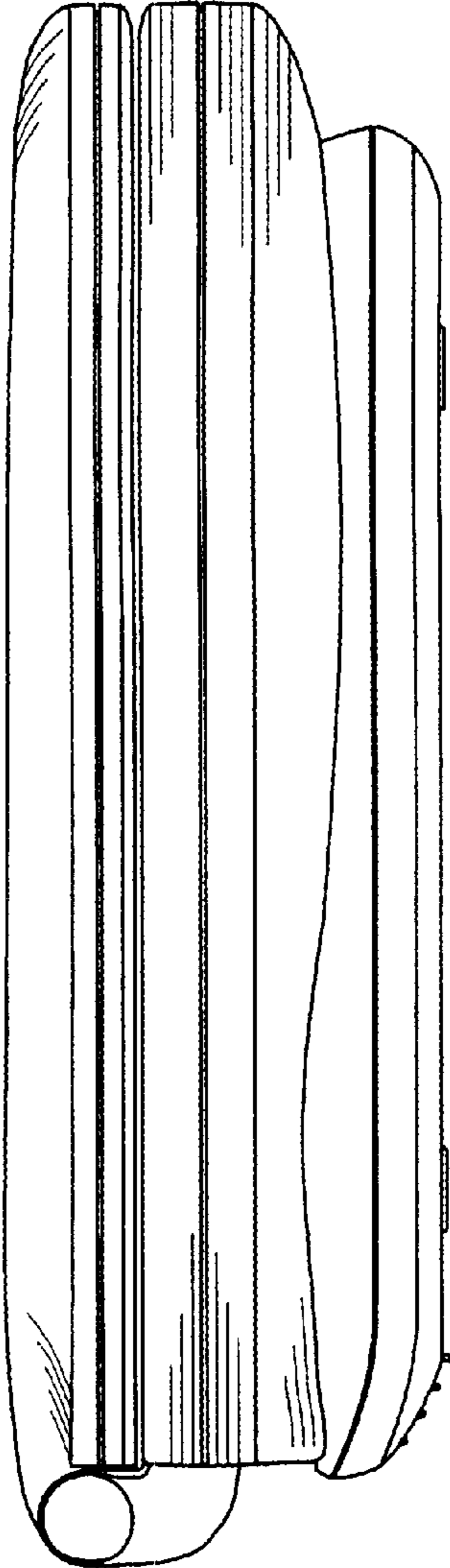


FIG. 4

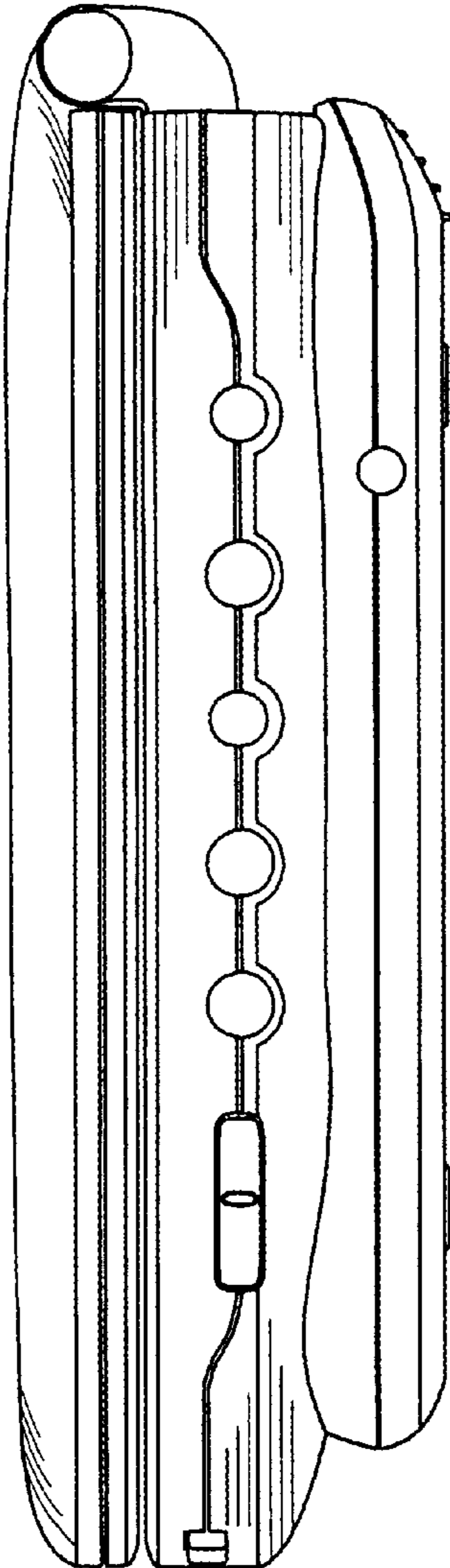


FIG. 5

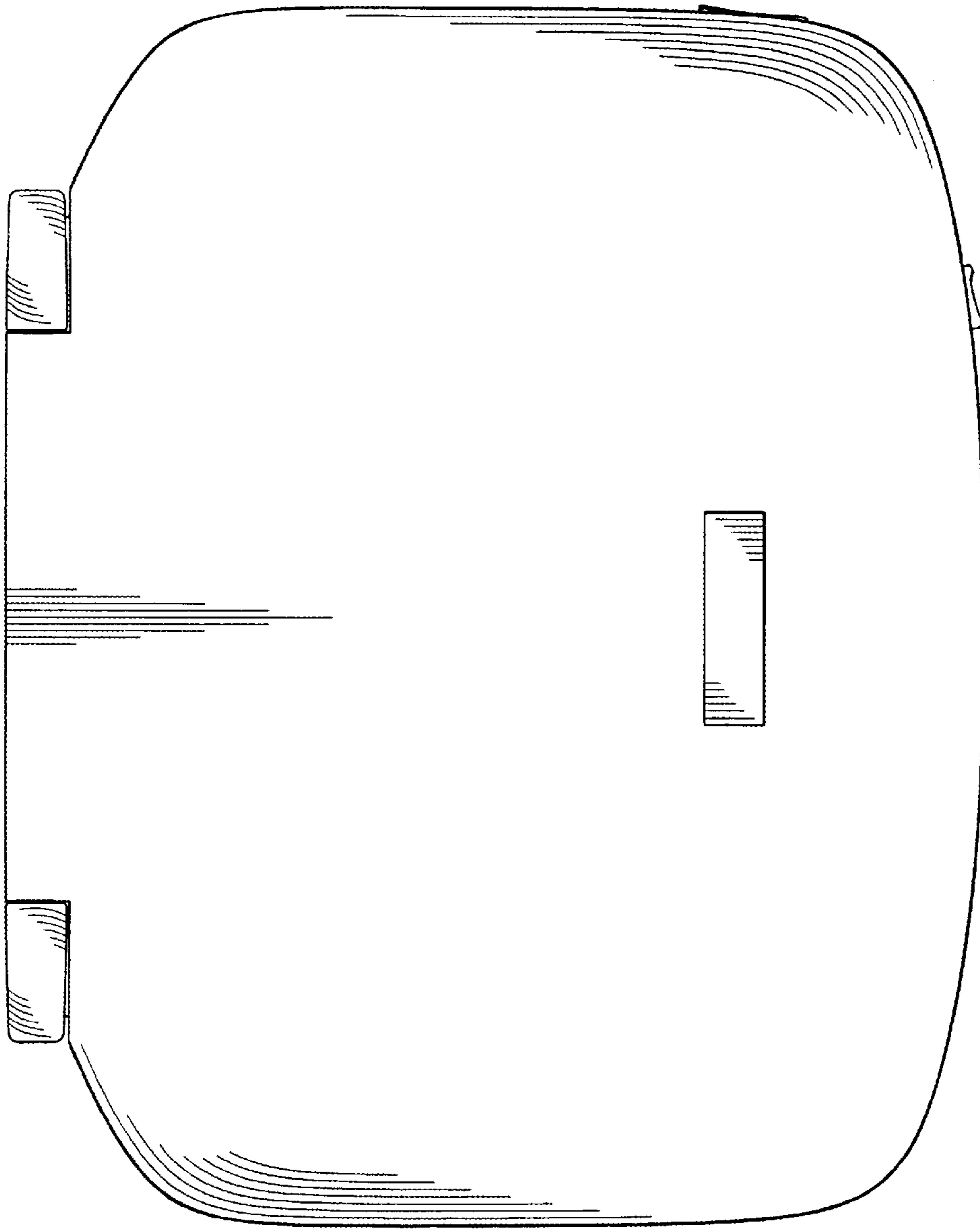


FIG. 6



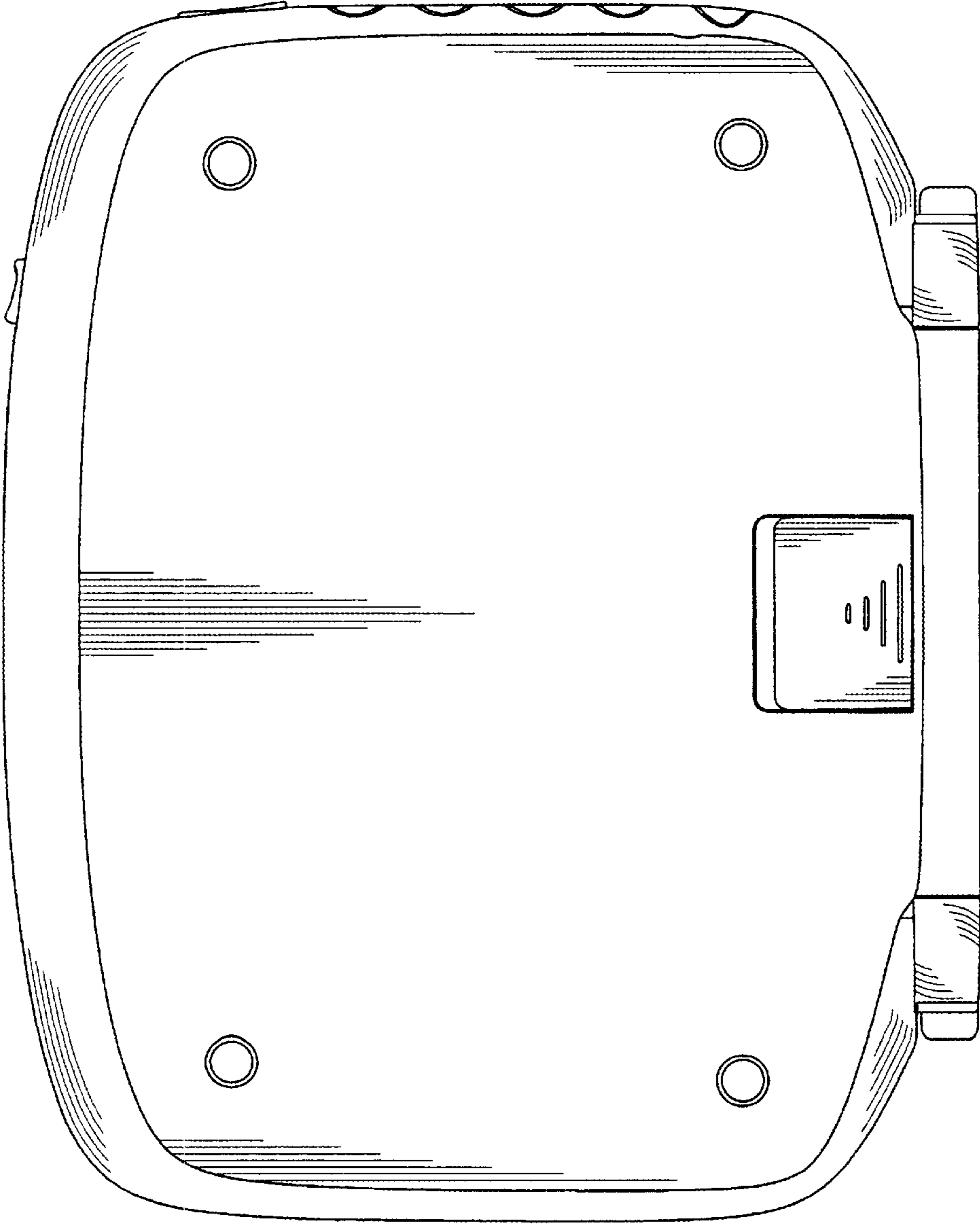


FIG. 7

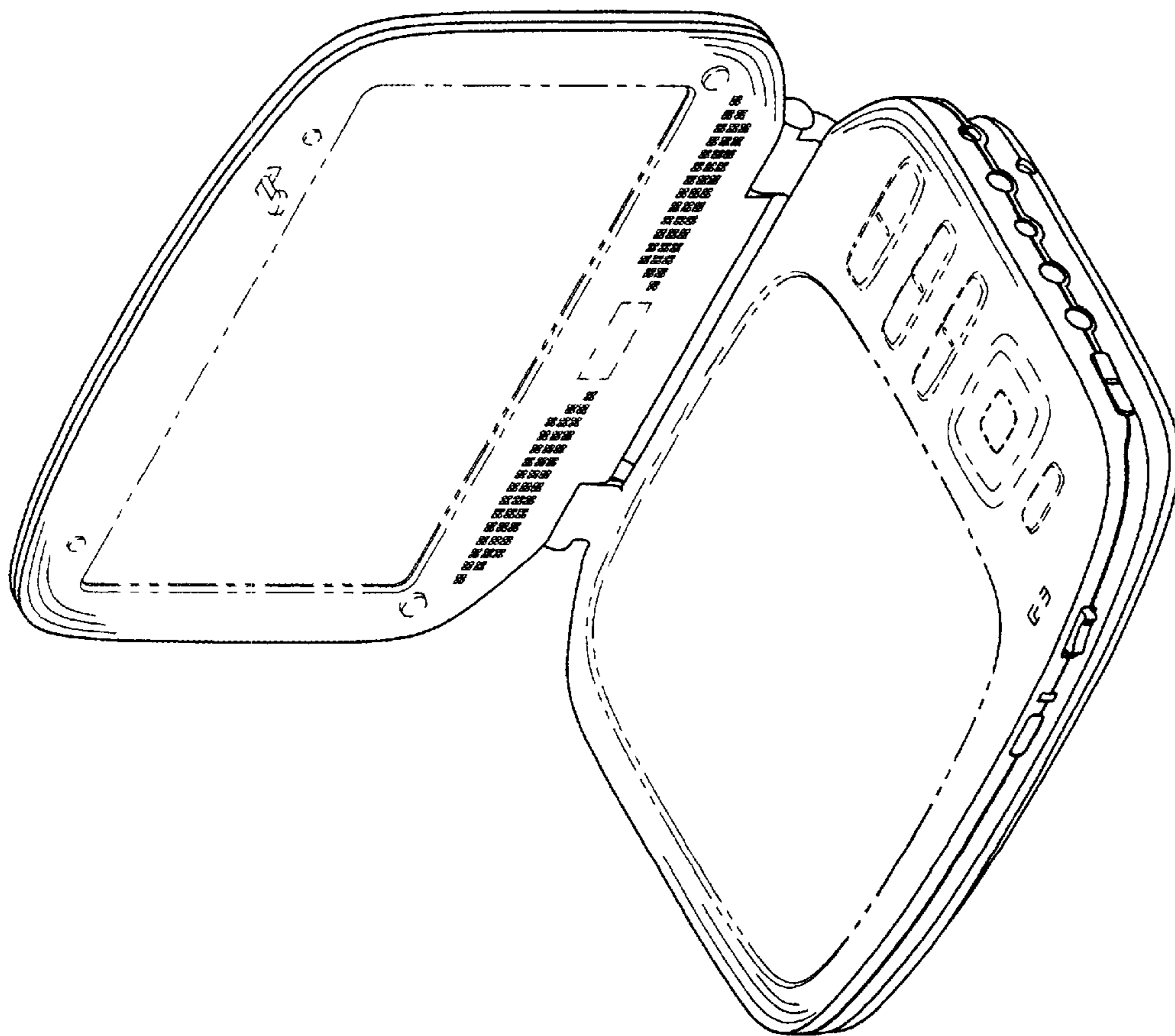


FIG. 8

UNITED STATES PATENT AND TRADEMARK OFFICE  
**CERTIFICATE OF CORRECTION**

PATENT NO. : Des. 542,751 S  
APPLICATION NO. : 29/241555  
DATED : May 15, 2007  
INVENTOR(S) : Shi-Kun Guo

Page 1 of 1

It is certified that error appears in the above-identified patent and that said Letters Patent is hereby corrected as shown below:

Please replace insert the following Foreign Application Priority Data on the Title page of the Patent with the following:

(30) Foreign Application Priority Data  
July 27, 2005 (CN) ..... 200530065483.5

Signed and Sealed this

Sixteenth Day of October, 2007

A handwritten signature in black ink on a light gray dotted background. The signature reads "Jon W. Dudas" in a cursive style.

JON W. DUDAS

*Director of the United States Patent and Trademark Office*