

US00D542748S

(12) **United States Design Patent**
Kim et al.

(10) **Patent No.:** **US D542,748 S**

(45) **Date of Patent:** **** May 15, 2007**

(54) **TV RECEIVER**

(75) Inventors: **Kyoung Hoon Kim**, Seoul (KR); **Sang Il Park**, Seoul (KR); **Young Sun Shin**, Seoul (KR); **Baek Ki Kim**, Seoul (KR)

(73) Assignee: **Samsung Electronics Co., Ltd.** (KR)

(**) Term: **14 Years**

(21) Appl. No.: **29/224,043**

(22) Filed: **Feb. 24, 2005**

(51) **LOC (8) Cl.** **14-03**

(52) **U.S. Cl.** **D14/126**

(58) **Field of Classification Search** D14/125-135,
D14/239, 379, 371, 374, 375, 376, 113; D13/151,
D13/153; 312/7.2; 348/836, 838, 180, 184,
348/325, 739; 341/12; 248/917-924; 345/104,
345/133, 156, 168, 87, 173; 349/1, 2, 11,
349/62

See application file for complete search history.

(56) **References Cited**

U.S. PATENT DOCUMENTS

D318,274 S	*	7/1991	Seo	D14/126
D319,437 S	*	8/1991	Kurozumi et al.	D14/126
D342,493 S	*	12/1993	Asanuma et al.	D14/126
D354,282 S	*	1/1995	Koo et al.	D14/126
D357,237 S	*	4/1995	Baek	D14/126
D367,478 S	*	2/1996	Hara et al.	D14/126

D413,324 S	*	8/1999	Riecken et al.	D14/126
D415,754 S	*	10/1999	Tanigawa et al.	D14/126
D417,448 S	*	12/1999	Takagi et al.	D14/126
D438,181 S	*	2/2001	Onoda et al.	D14/126
D454,844 S	*	3/2002	Wong	D14/126
D482,668 S	*	11/2003	Tanigawa et al.	D14/126

* cited by examiner

Primary Examiner—Raphael Barkai

Assistant Examiner—Randall H. Gholson

(74) *Attorney, Agent, or Firm*—Irving Keschner

(57) **CLAIM**

The ornamental design for a TV receiver, as shown.

DESCRIPTION

FIG. 1 is a perspective view of the ornamental design of the present invention;

FIG. 2 is a front elevational view of the ornamental design of the present invention;

FIG. 3 is a rear elevational view of the ornamental design of the present invention;

FIG. 4 is a left side elevational view of the ornamental design of the present invention;

FIG. 5 is a right side elevational view of the ornamental design of the present invention;

FIG. 6 is a top plan view of the ornamental design of the present invention; and,

FIG. 7 is a bottom view of the ornamental design of the present invention.

1 Claim, 4 Drawing Sheets

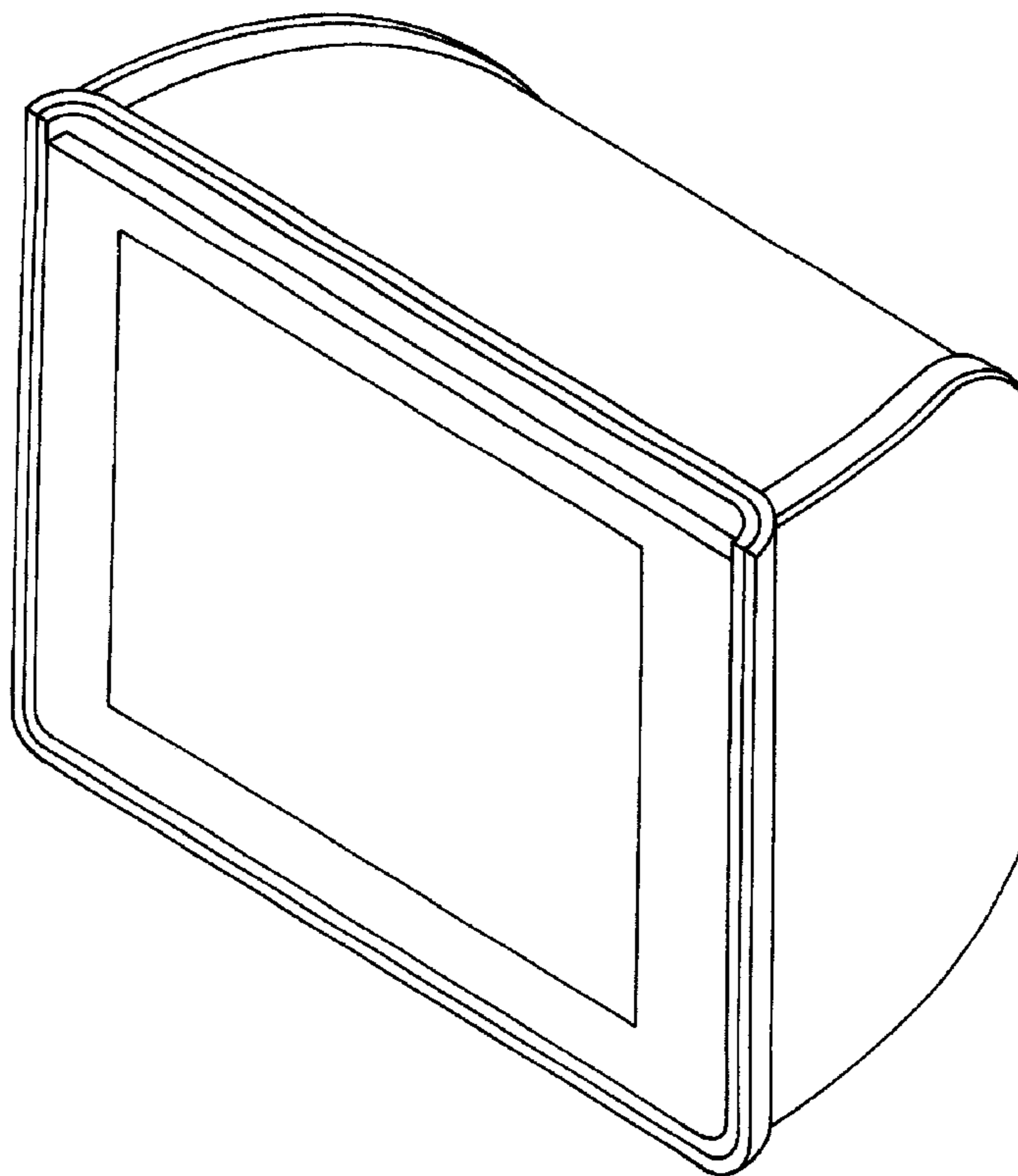


FIG. 1

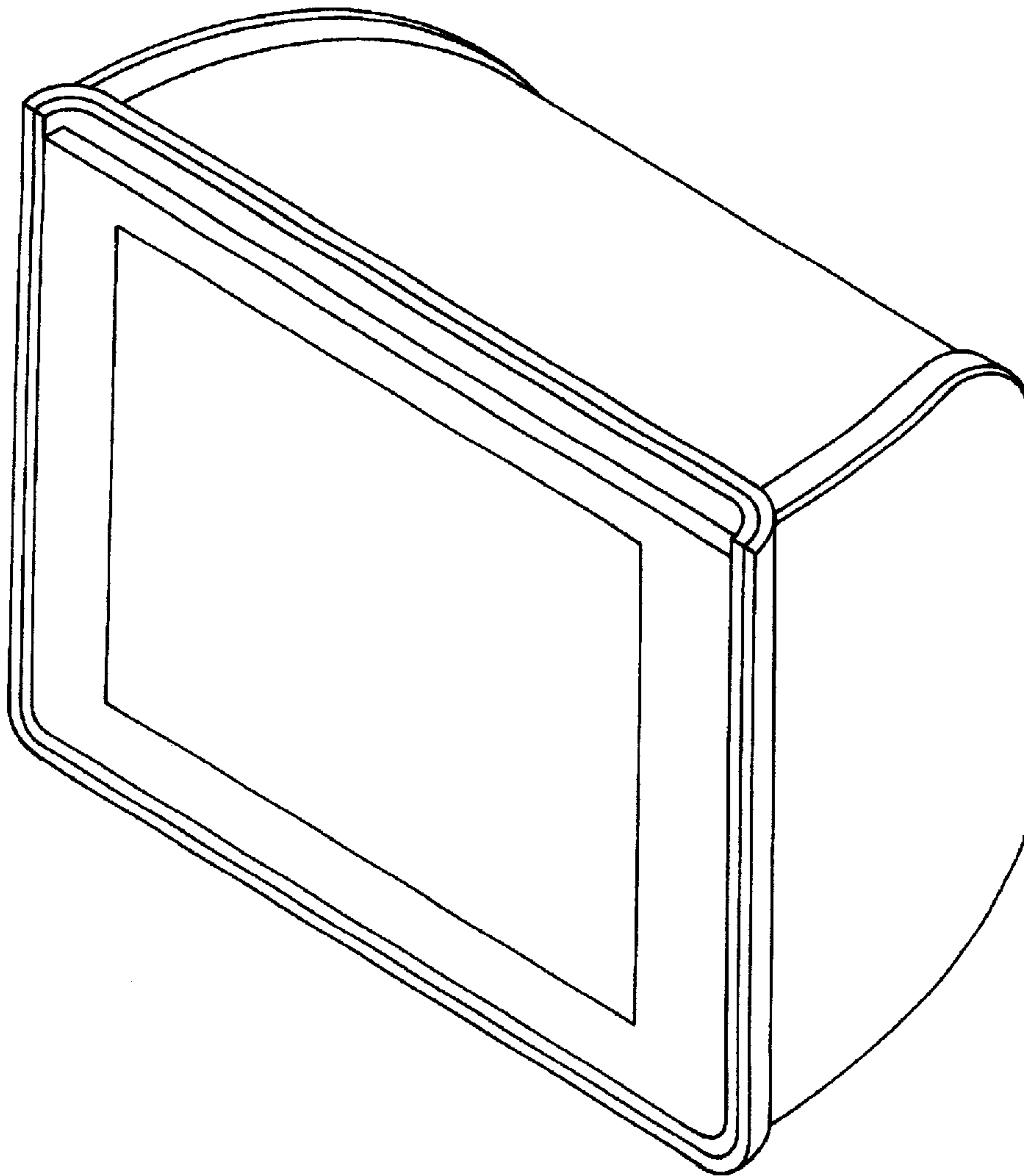


FIG. 2

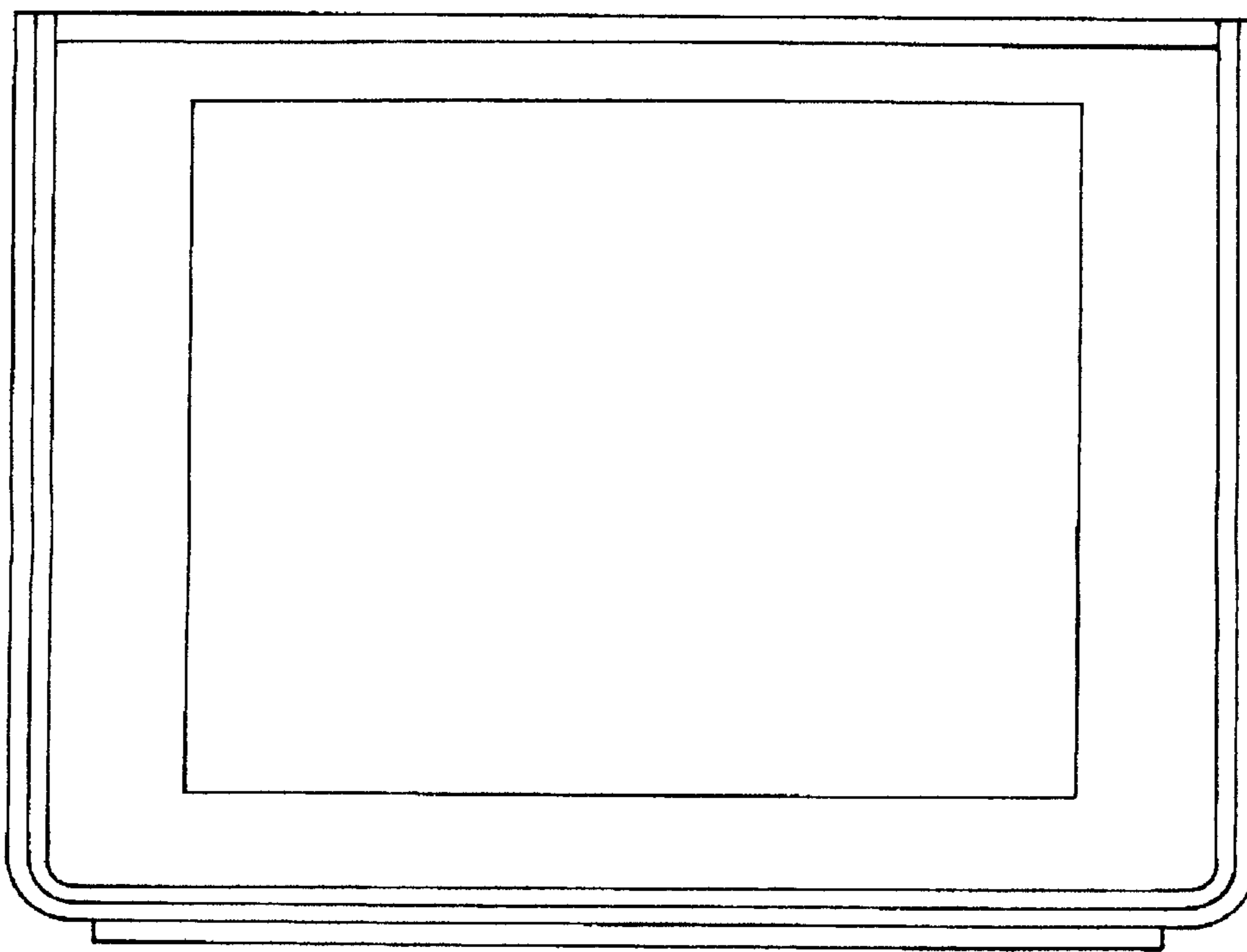


FIG. 3

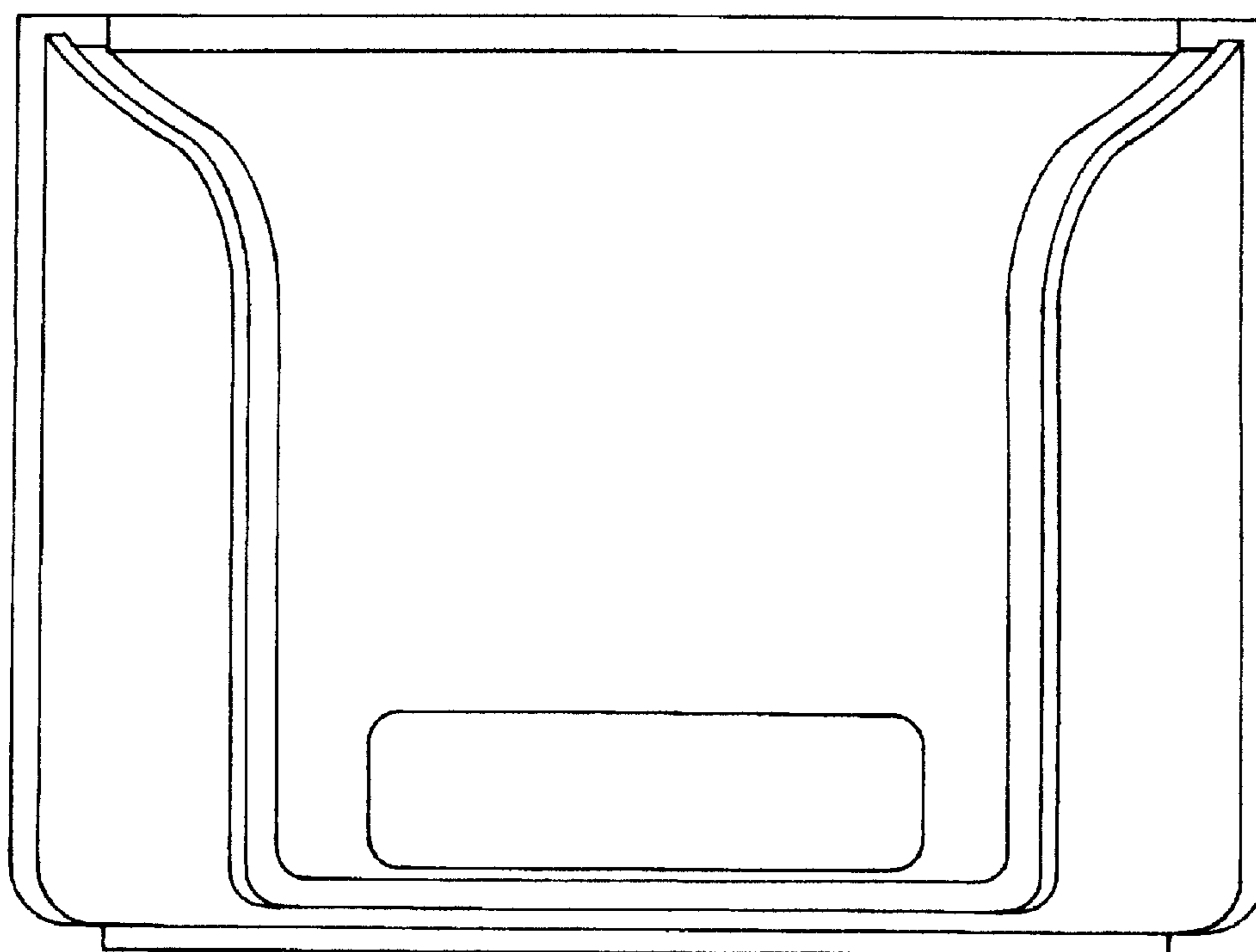


FIG. 4

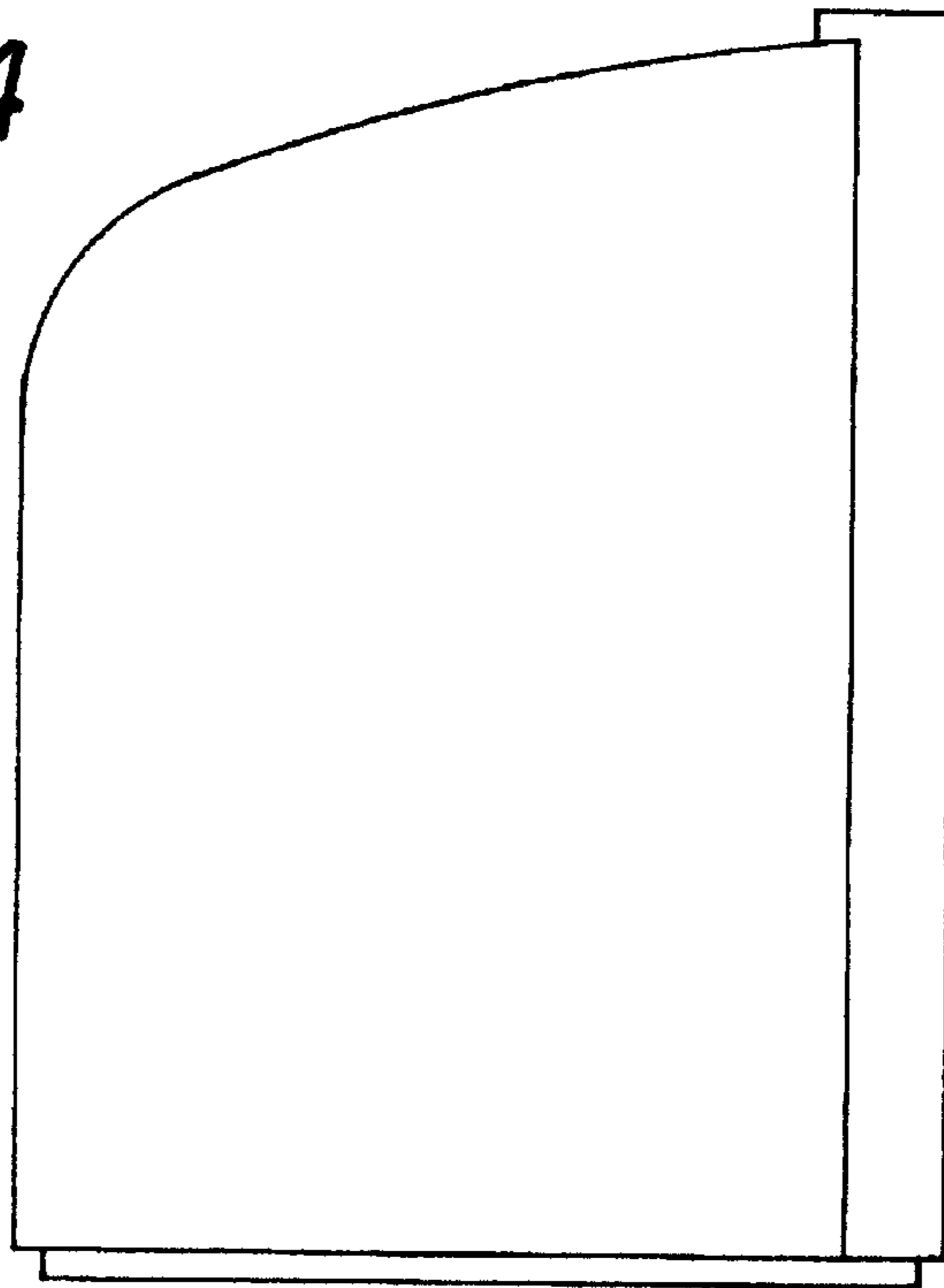


FIG. 5

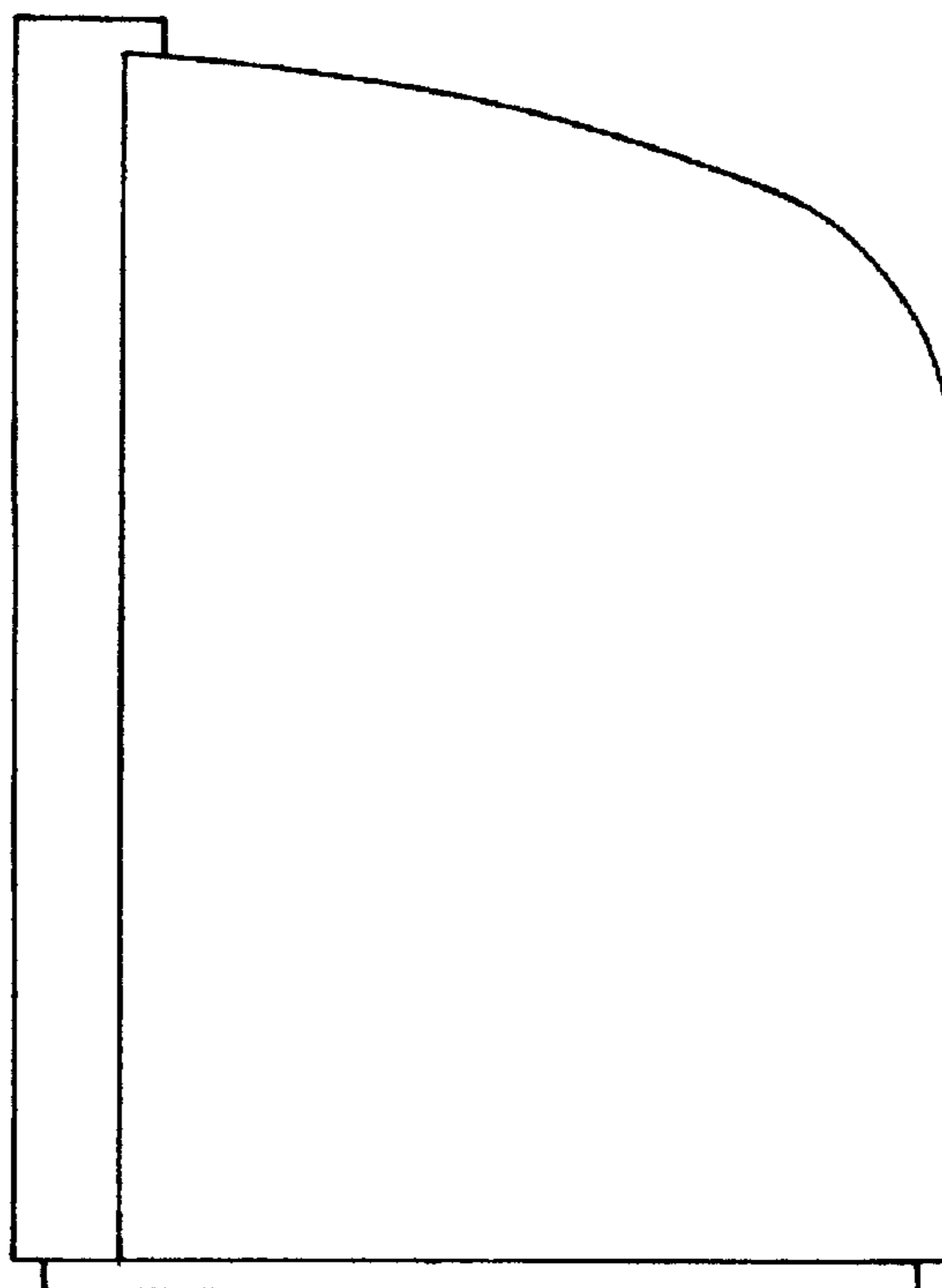


FIG. 6

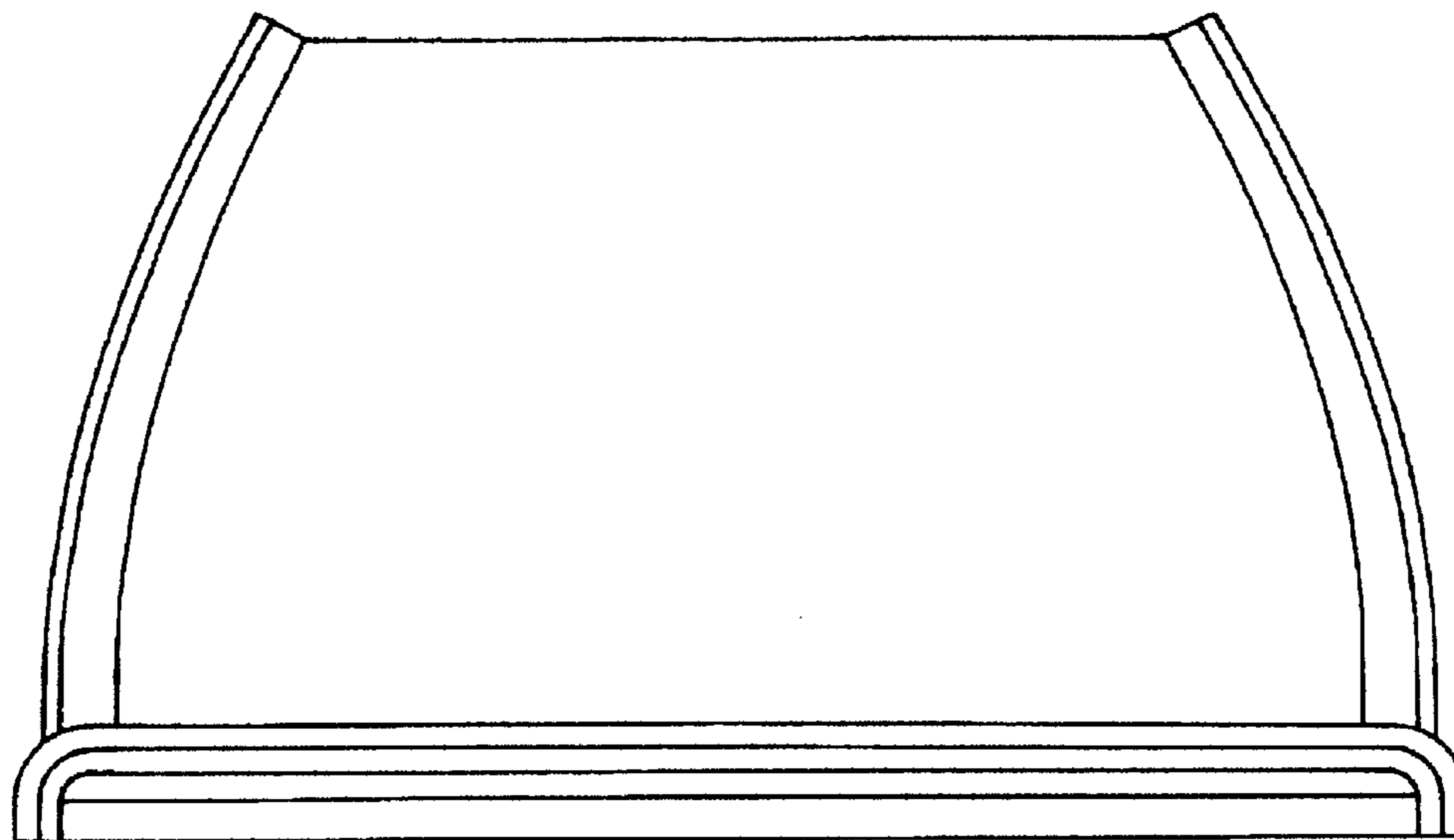


FIG. 7

