



US00D542743S

(12) **United States Design Patent**
Jung et al.

(10) **Patent No.:** **US D542,743 S**

(45) **Date of Patent:** **** May 15, 2007**

(54) **LED WITH A LENS**

(75) Inventors: **Jung Hwa Jung**, Seoul (KR); **Jung Hoo Seo**, Seoul (KR); **Do Hyung Kim**, Suwon-si (KR)

(73) Assignee: **Seoul Semiconductor Co., Ltd.**, Seoul (KR)

(**) Term: **14 Years**

(21) Appl. No.: **29/263,651**

(22) Filed: **Jul. 26, 2006**

Related U.S. Application Data

(62) Division of application No. 29/236,857, filed on Aug. 22, 2005, now Pat. No. Des. 534,503.

(30) **Foreign Application Priority Data**

Mar. 31, 2005 (KR) 30-2005-0010612

(51) **LOC (8) Cl.** **13-01**

(52) **U.S. Cl.** **D13/180**

(58) **Field of Classification Search** D13/180, D13/182; D26/2; 257/79, 80, 81, 82, 88, 257/89, 95, 98, 99, 100, 433, 434, 666, 676, 257/678, 680; 313/483, 498; 361/820; 362/235, 362/555, 800; 372/45.01; 438/27, 123
See application file for complete search history.

(56) **References Cited**

U.S. PATENT DOCUMENTS

6,061,160 A * 5/2000 Maruyama 398/201

6,274,890 B1 * 8/2001 Oshio et al. 257/98
6,274,924 B1 * 8/2001 Carey et al. 257/676
6,541,800 B2 * 4/2003 Barnett et al. 257/98
D477,580 S * 7/2003 Kamada D13/182
D509,489 S * 9/2005 Kamada D13/180
2006/0071222 A1 * 4/2006 Yatsuda et al. 257/90

* cited by examiner

Primary Examiner—Selina Sikder

(74) *Attorney, Agent, or Firm*—Townsend and Townsend and Crew LLP

(57) **CLAIM**

The ornamental design for LED with a lens, as shown and described.

DESCRIPTION

FIG. 1 is a perspective view of a LED with a lens showing our new design;

FIG. 2 is a front elevation view thereof;

FIG. 3 is a left side elevation view thereof;

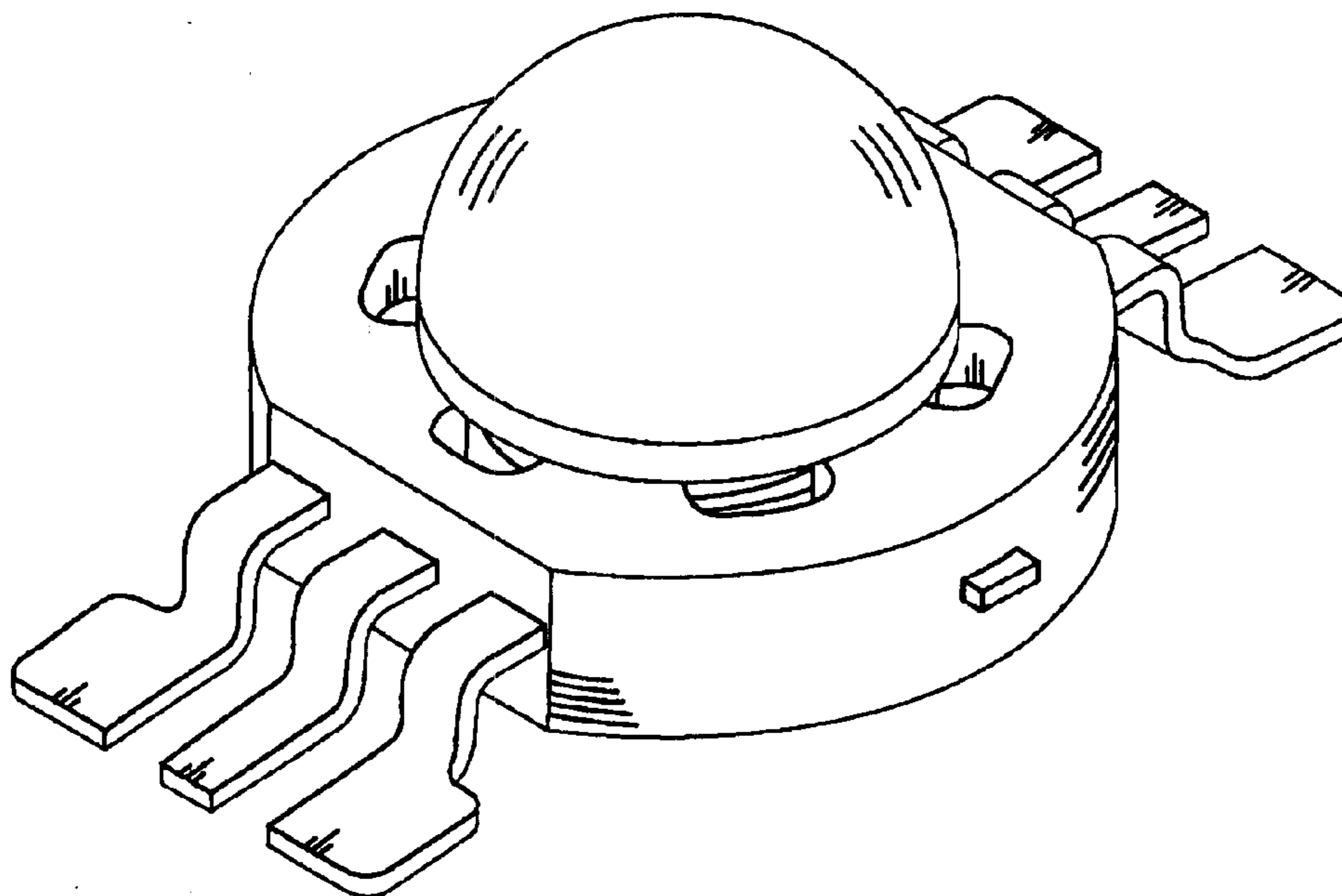
FIG. 4 is a right side elevation view thereof;

FIG. 5 is a top plan view thereof; and,

FIG. 6 is a bottom plan view.

The broken line showing of the environment is for illustrative purpose only and forms no part of the claimed design.

1 Claim, 3 Drawing Sheets



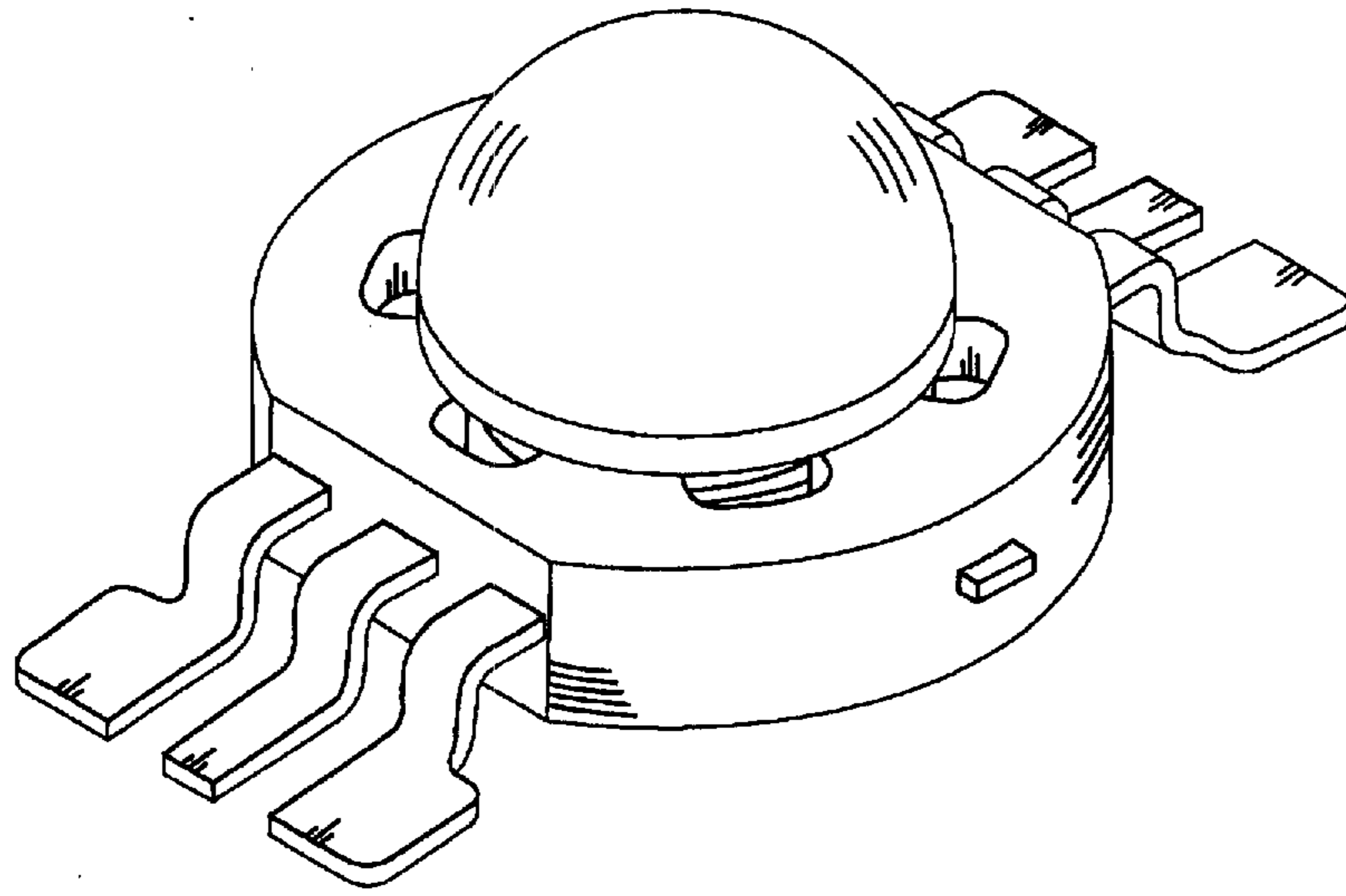


FIG. 1

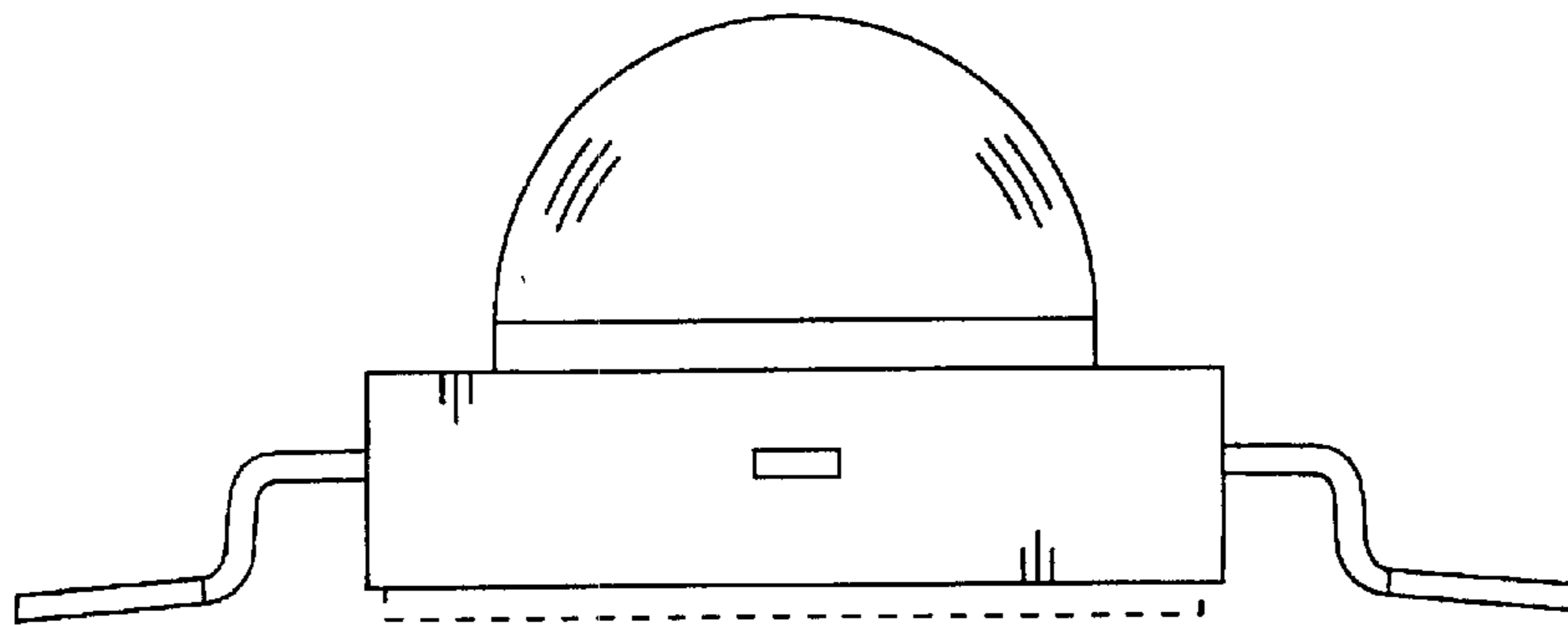


FIG. 2

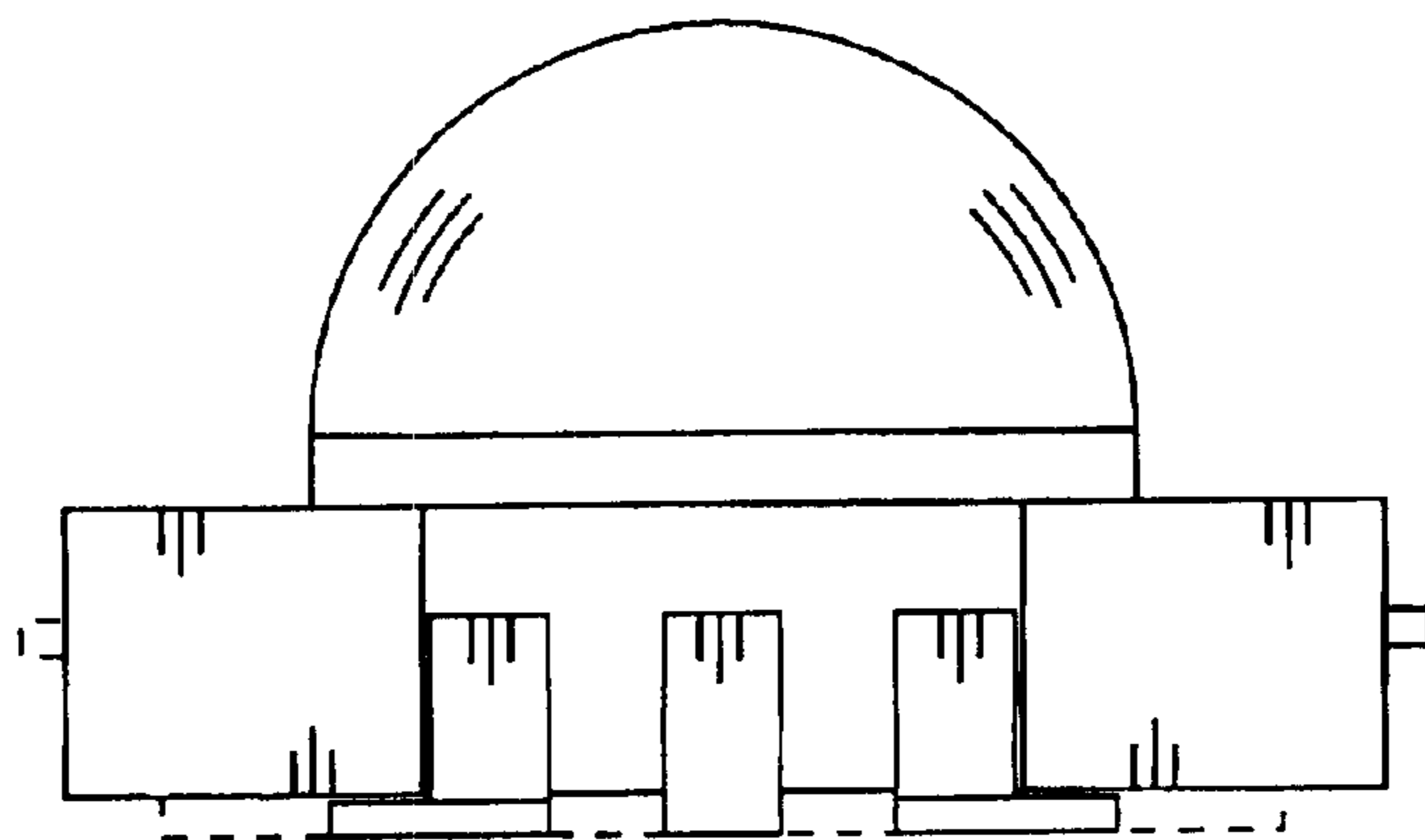


FIG. 3

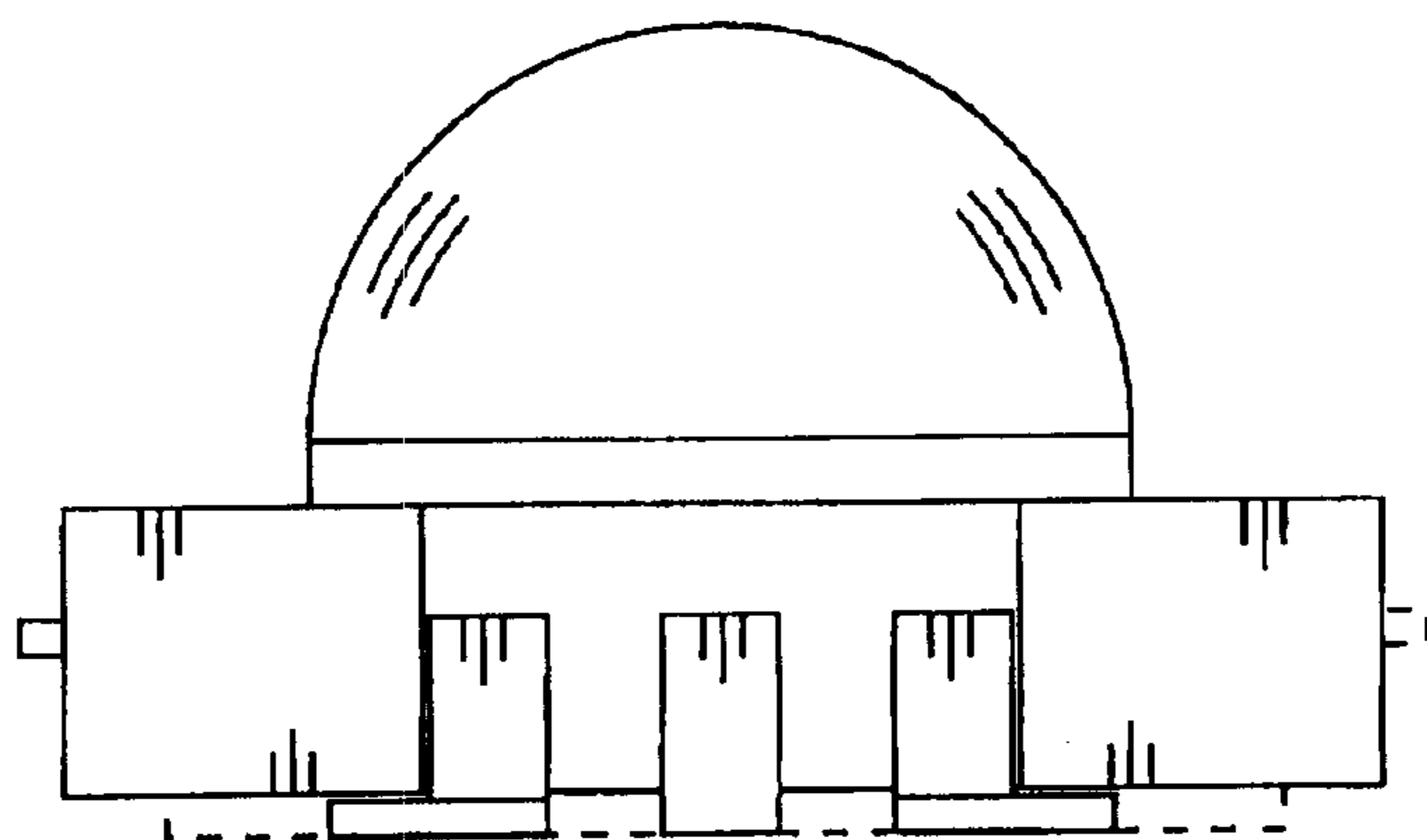


FIG. 4

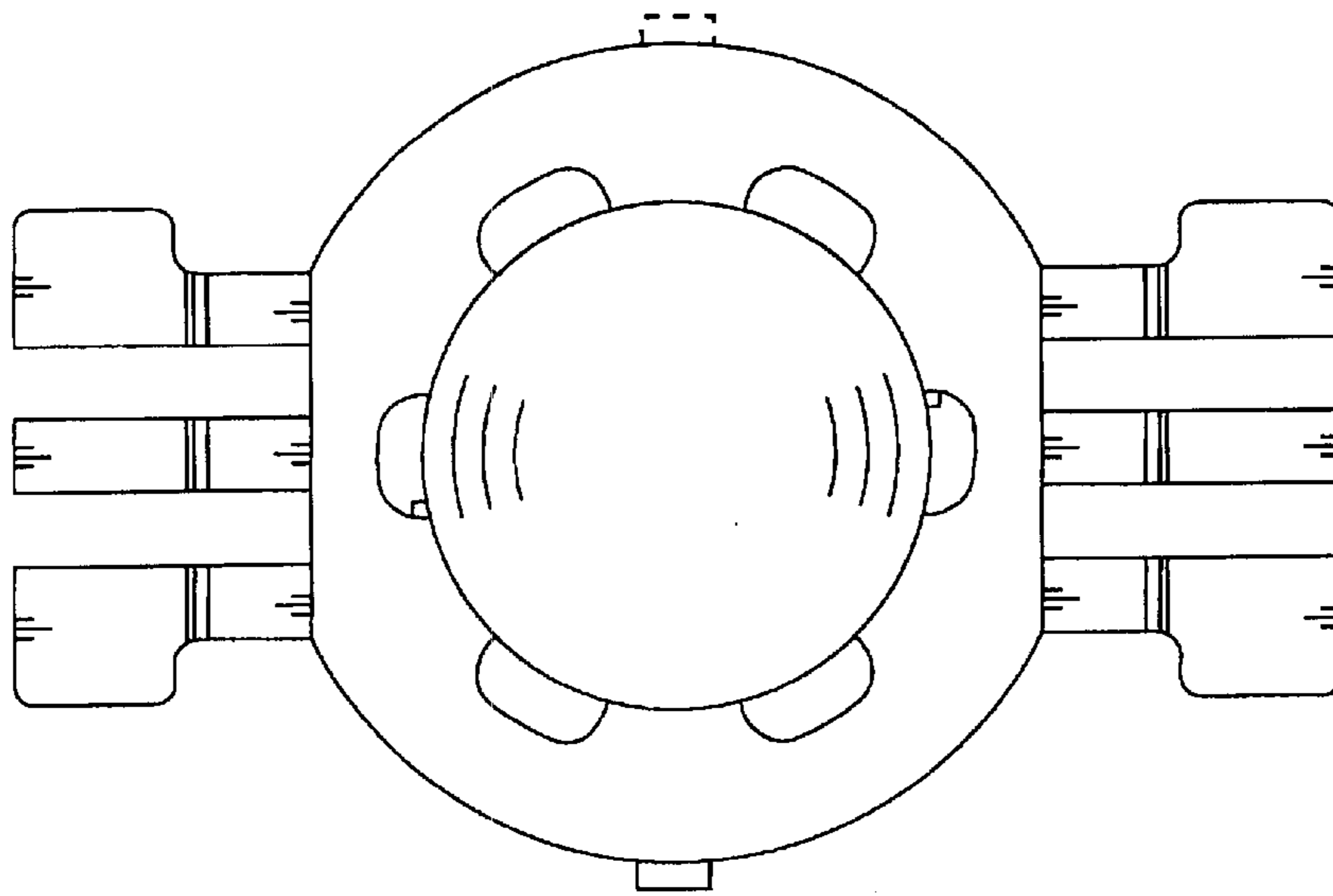


FIG. 5

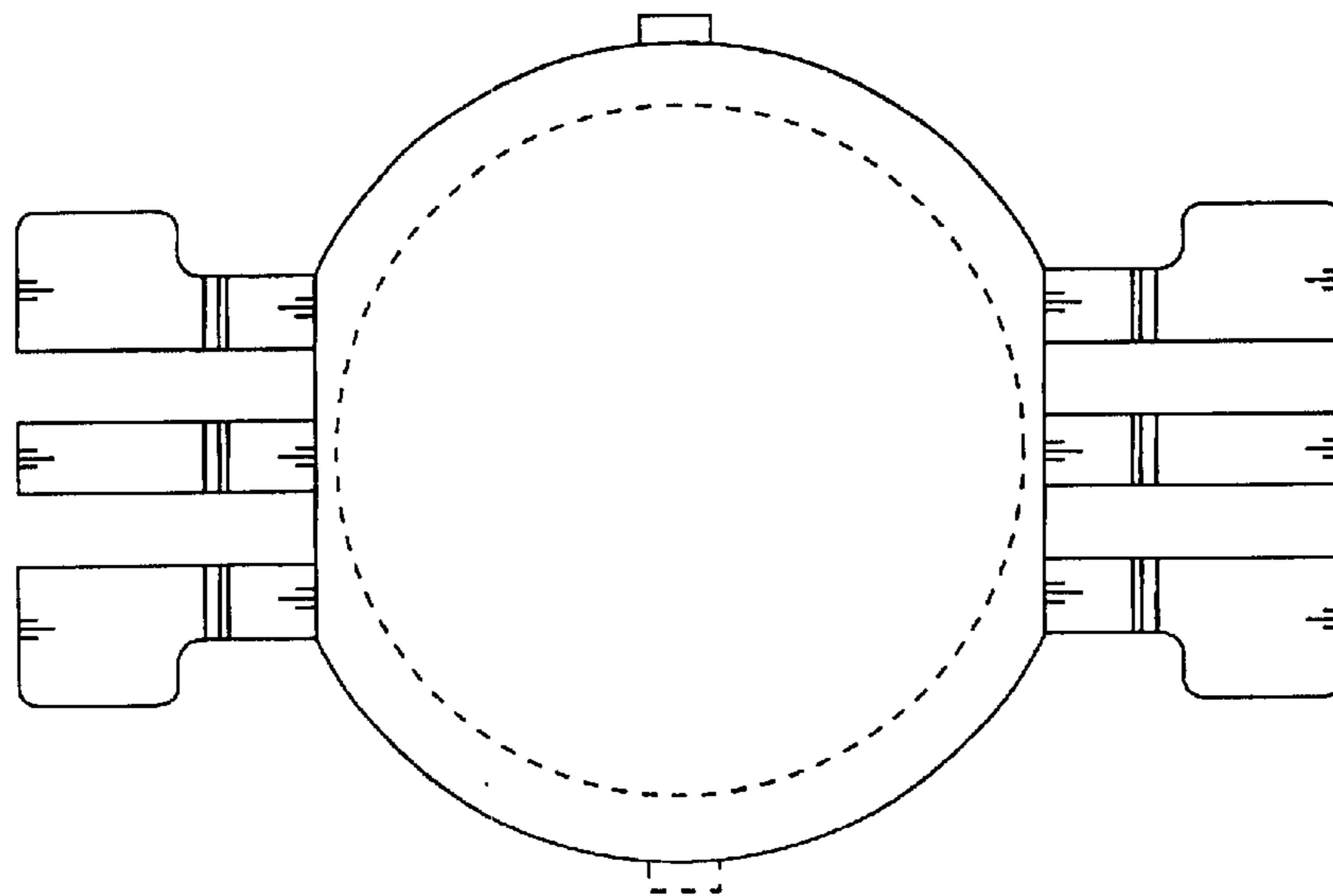


FIG. 6