

US00D542741S

(12) **United States Design Patent**
Ido et al.

(10) **Patent No.: US D542,741 S**

(45) **Date of Patent: ** May 15, 2007**

(54) **FOOT SWITCH FOR CIRCULATORY ORGAN X-RAY DIAGNOSING AND PHOTOGRAPHING APPARATUS**

5,883,615 A *	3/1999	Fago et al.	345/156
6,051,797 A *	4/2000	Meinel	200/86.5
6,179,829 B1 *	1/2001	Bisch et al.	606/1
7,012,203 B2 *	3/2006	Hanson et al.	200/86.5
2003/0004497 A1 *	1/2003	Chappuis	606/1

(75) Inventors: **Kenji Ido**, Yokohama (JP); **Noriaki Baba**, Tokyo (JP)

FOREIGN PATENT DOCUMENTS

(73) Assignees: **Kabushiki Kaisha Toshiba** (JP); **Toshiba Medical Systems Corporation** (JP)

JP	912398	11/1994
JP	1088355	10/2000
JP	1104068	3/2001

(**) Term: **14 Years**

* cited by examiner

(21) Appl. No.: **29/257,851**

Primary Examiner—Selina Sikder

(22) Filed: **Apr. 12, 2006**

(74) *Attorney, Agent, or Firm*—Banner & Witcoff, Ltd.

(30) **Foreign Application Priority Data**

(57) **CLAIM**

Oct. 14, 2005 (JP) 2005-030052

The ornamental design for a foot switch for circulatory organ X-ray diagnosing and photographing apparatus, as shown and described.

(51) **LOC (8) Cl.** **13-03**

DESCRIPTION

(52) **U.S. Cl.** **D13/167**

(58) **Field of Classification Search** D13/167; D15/72; D24/179; 5/600, 616; 74/512, 616; 200/43.01, 61.09, 61.89, 86.5, 86 R; 297/71, 297/330; 338/153; 433/101
See application file for complete search history.

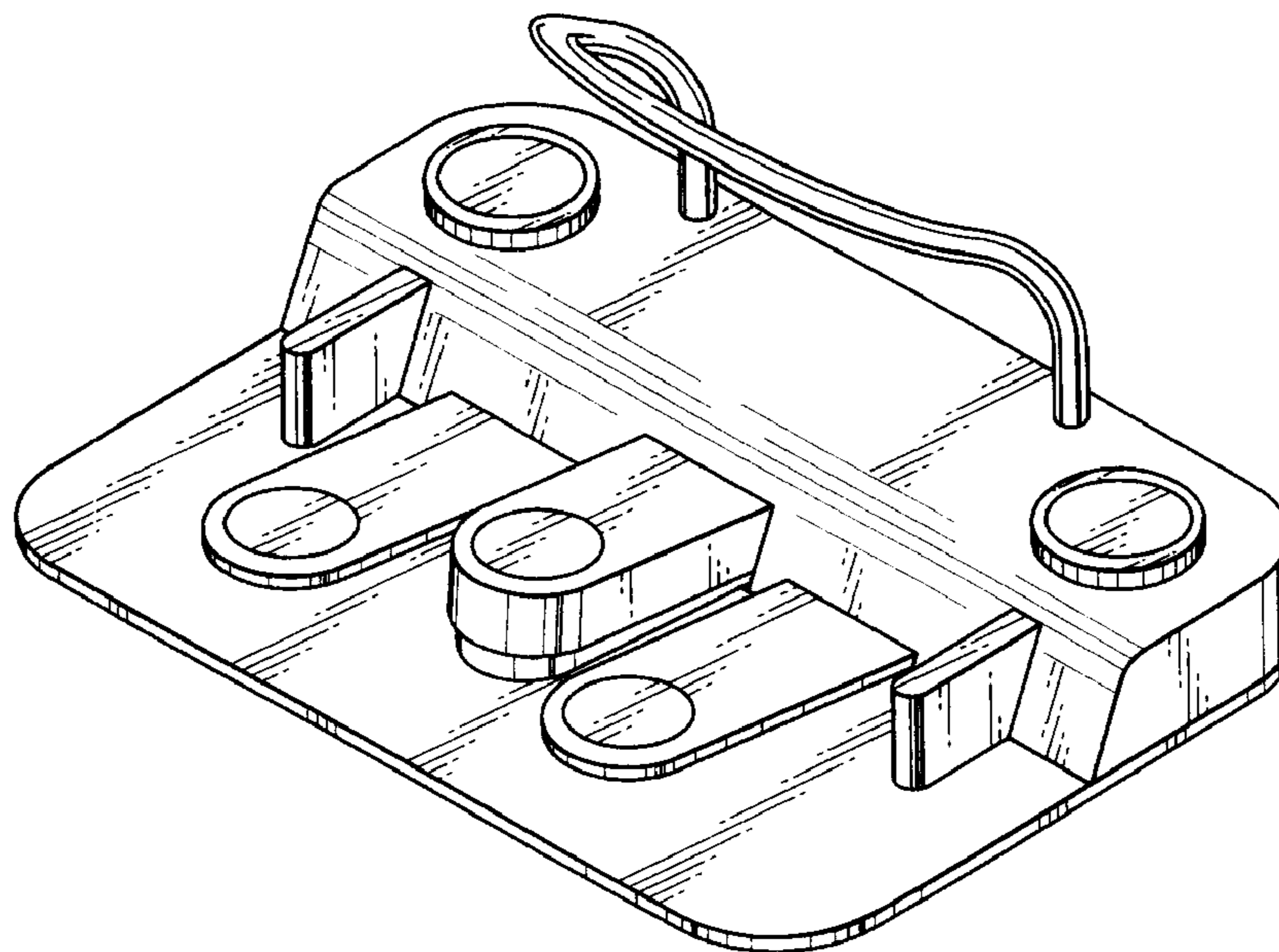
FIG. 1 is a front, top and right side perspective view of a foot switch for circulatory organ X-ray diagnosing and photographing apparatus, showing our new design;
FIG. 2 is a front elevational view thereof;
FIG. 3 is a rear elevational view thereof;
FIG. 4 is a top plan view thereof;
FIG. 5 is a bottom plan view thereof;
FIG. 6 is a left side elevational view thereof; and,
FIG. 7 is a right side elevational view thereof.

(56) **References Cited**

U.S. PATENT DOCUMENTS

D234,085 S *	1/1975	Stralhammer	D24/179
3,983,344 A *	9/1976	Stralhammer	200/86.5
5,568,859 A *	10/1996	Levy et al.	200/43.01

1 Claim, 4 Drawing Sheets



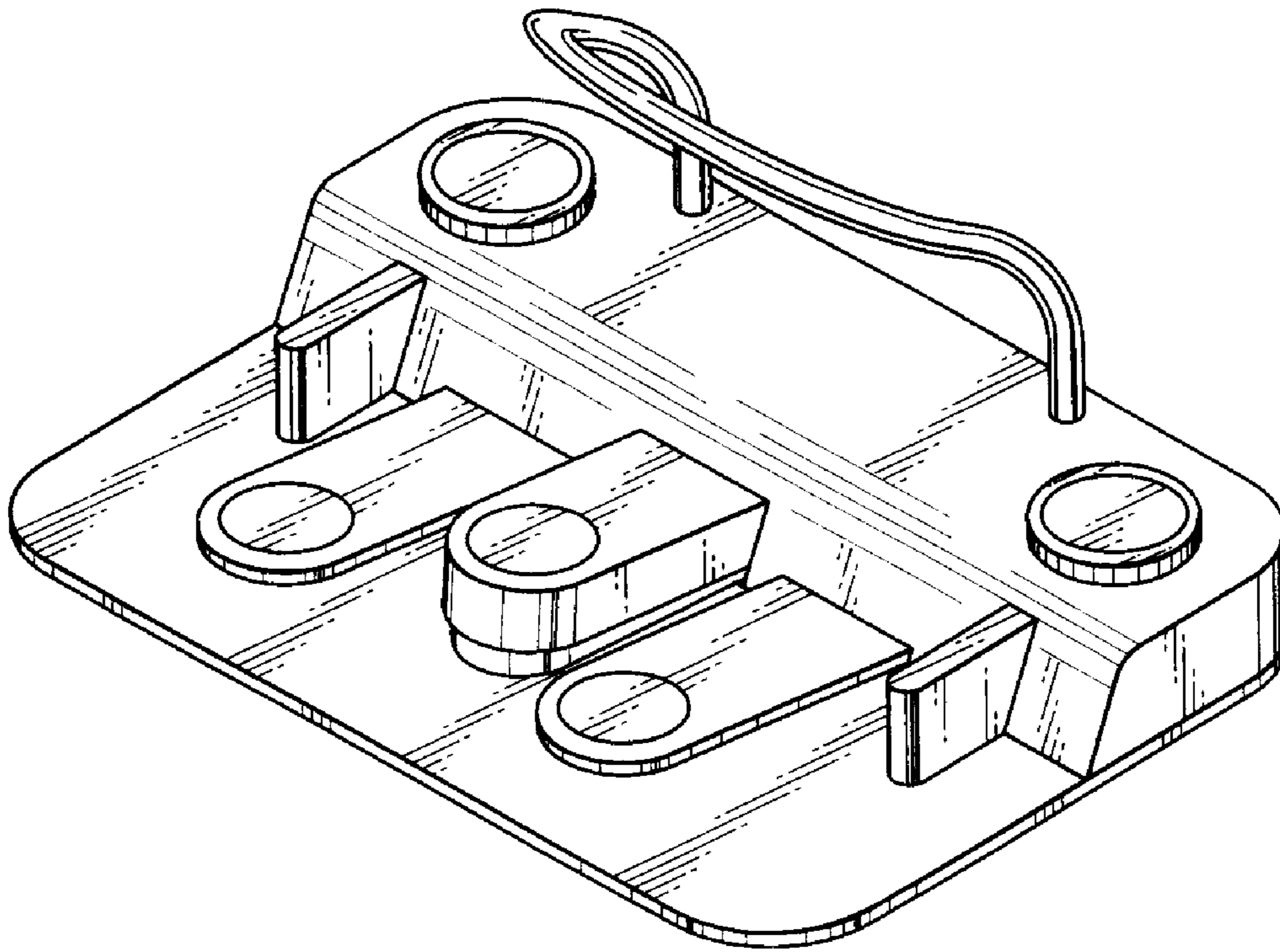


FIG.1

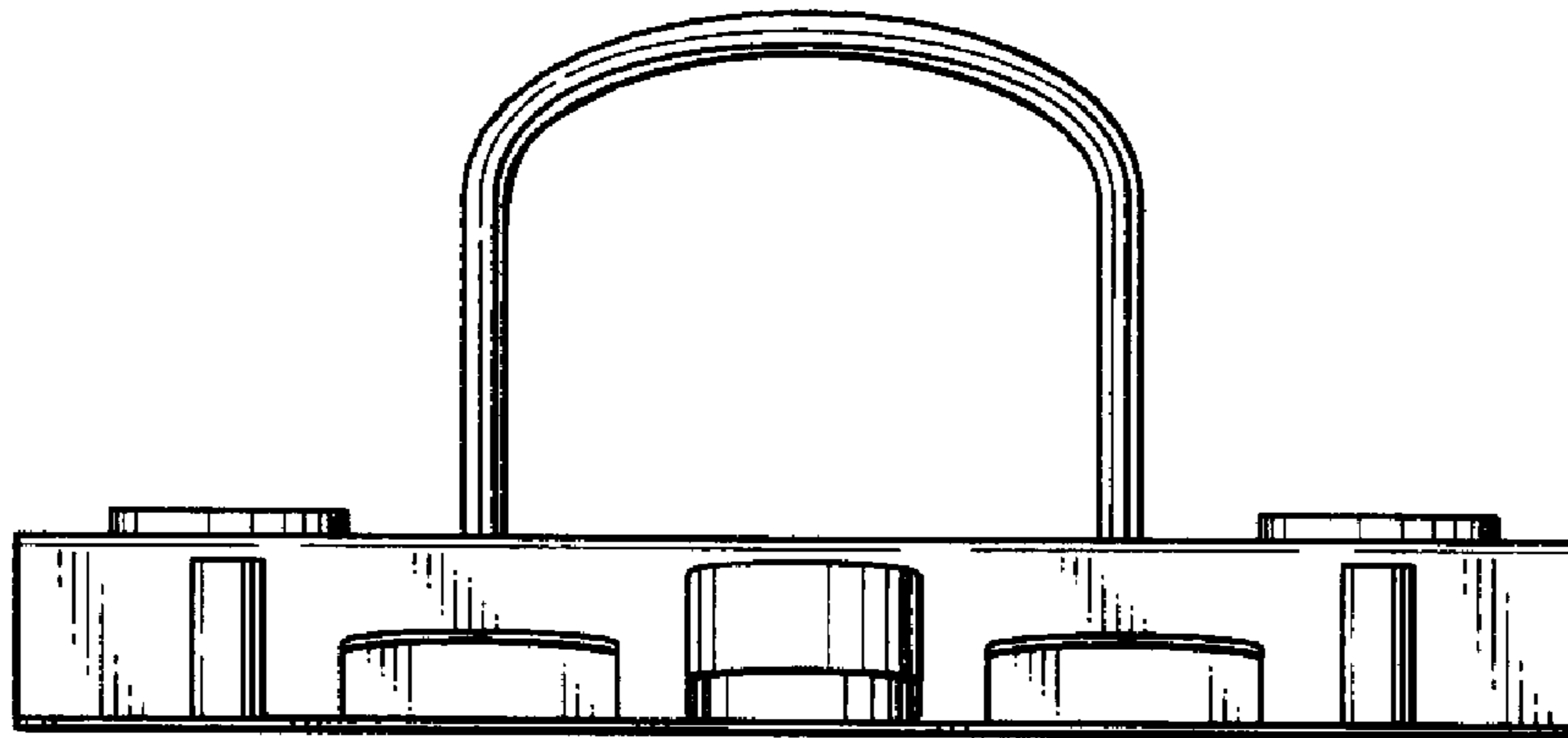


FIG. 2

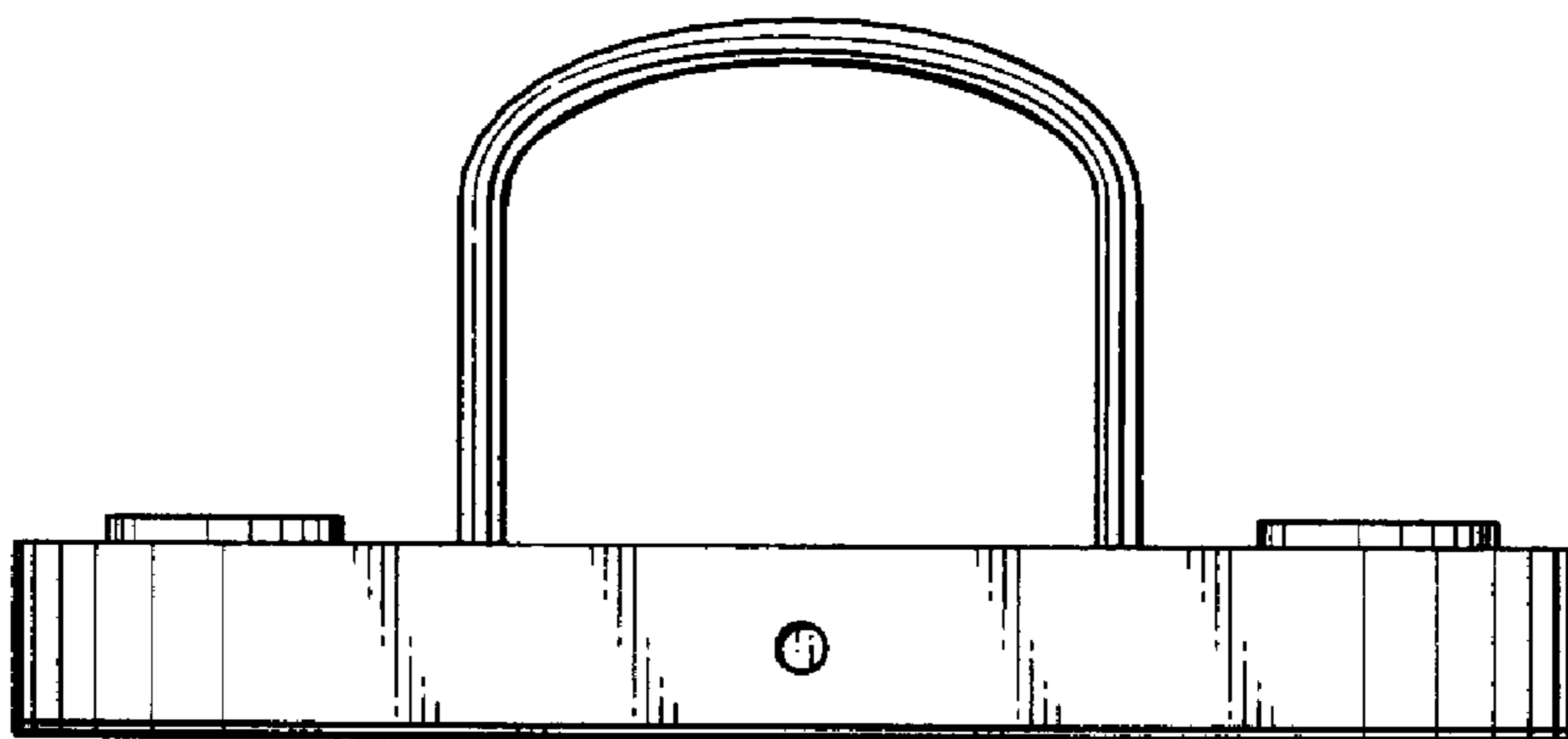


FIG. 3

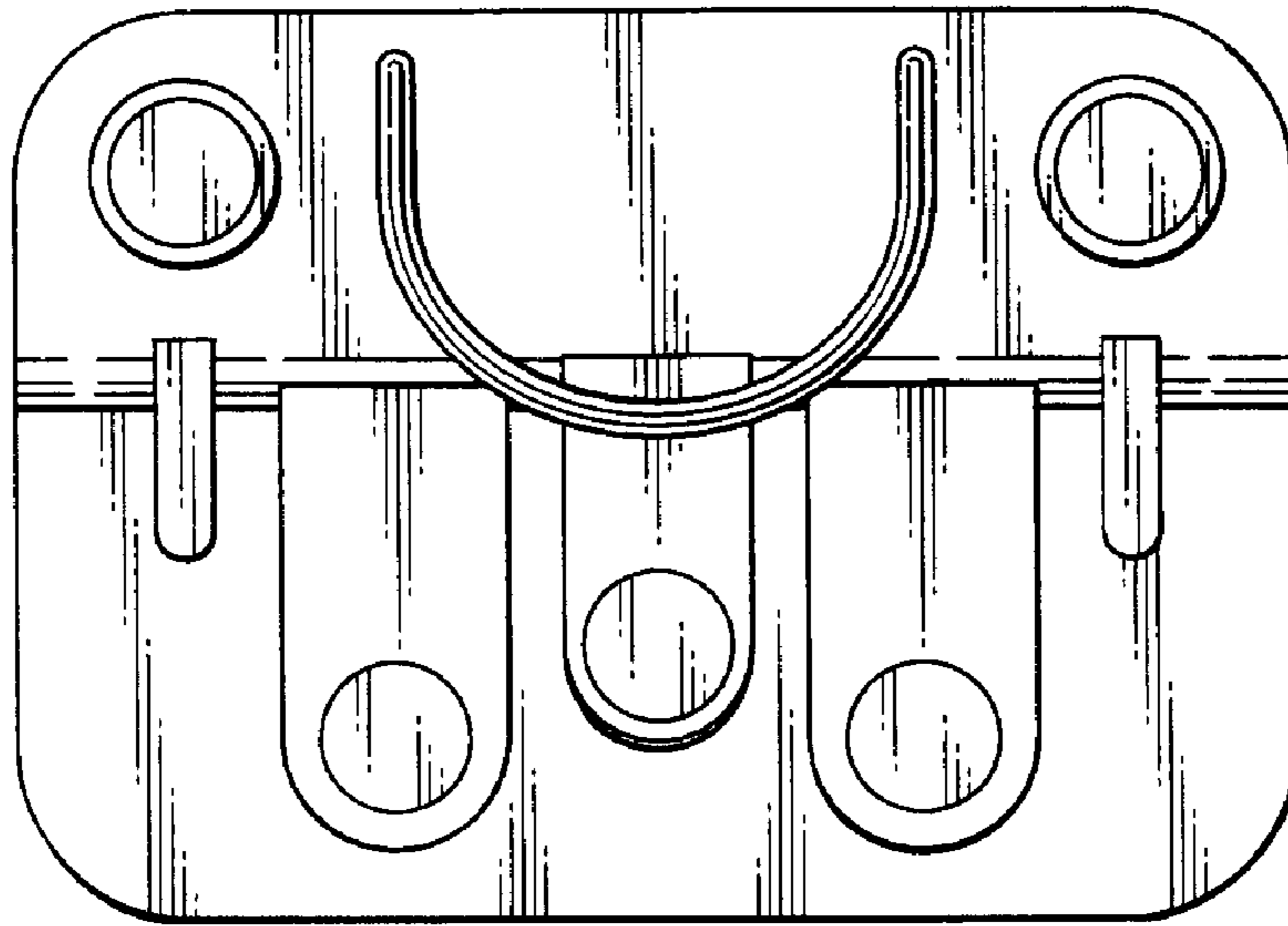


FIG.4

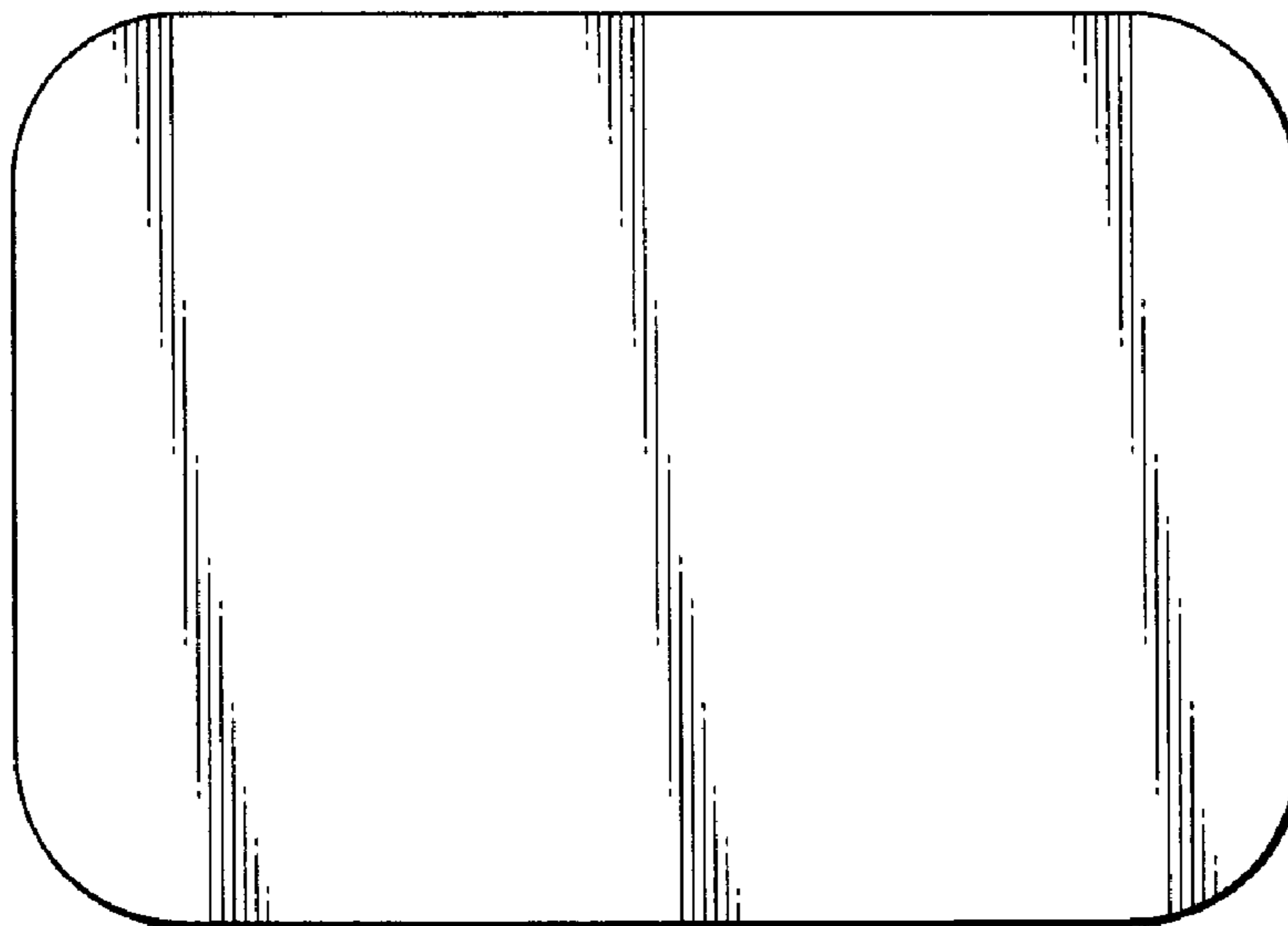


FIG.5

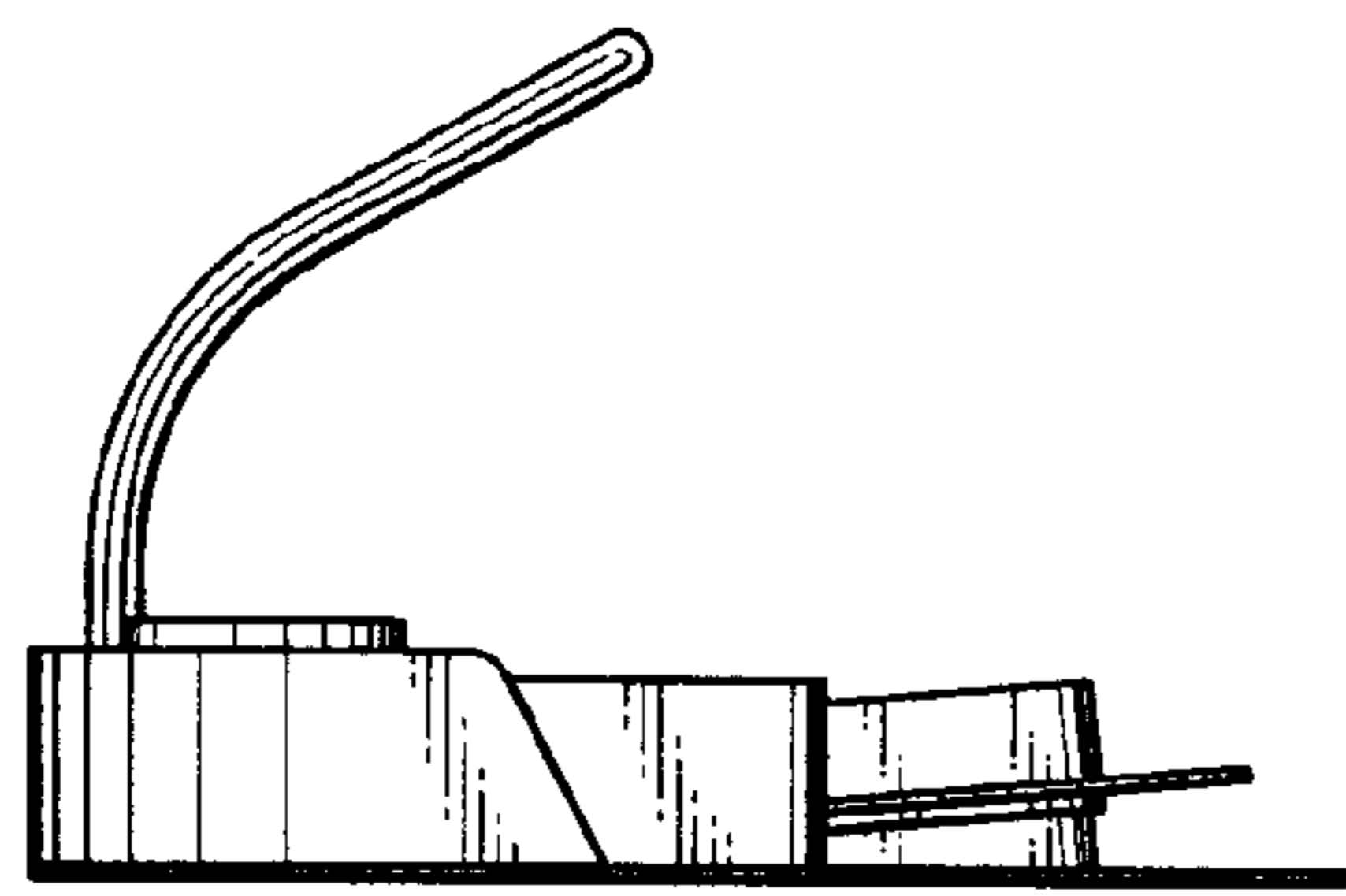


FIG. 6

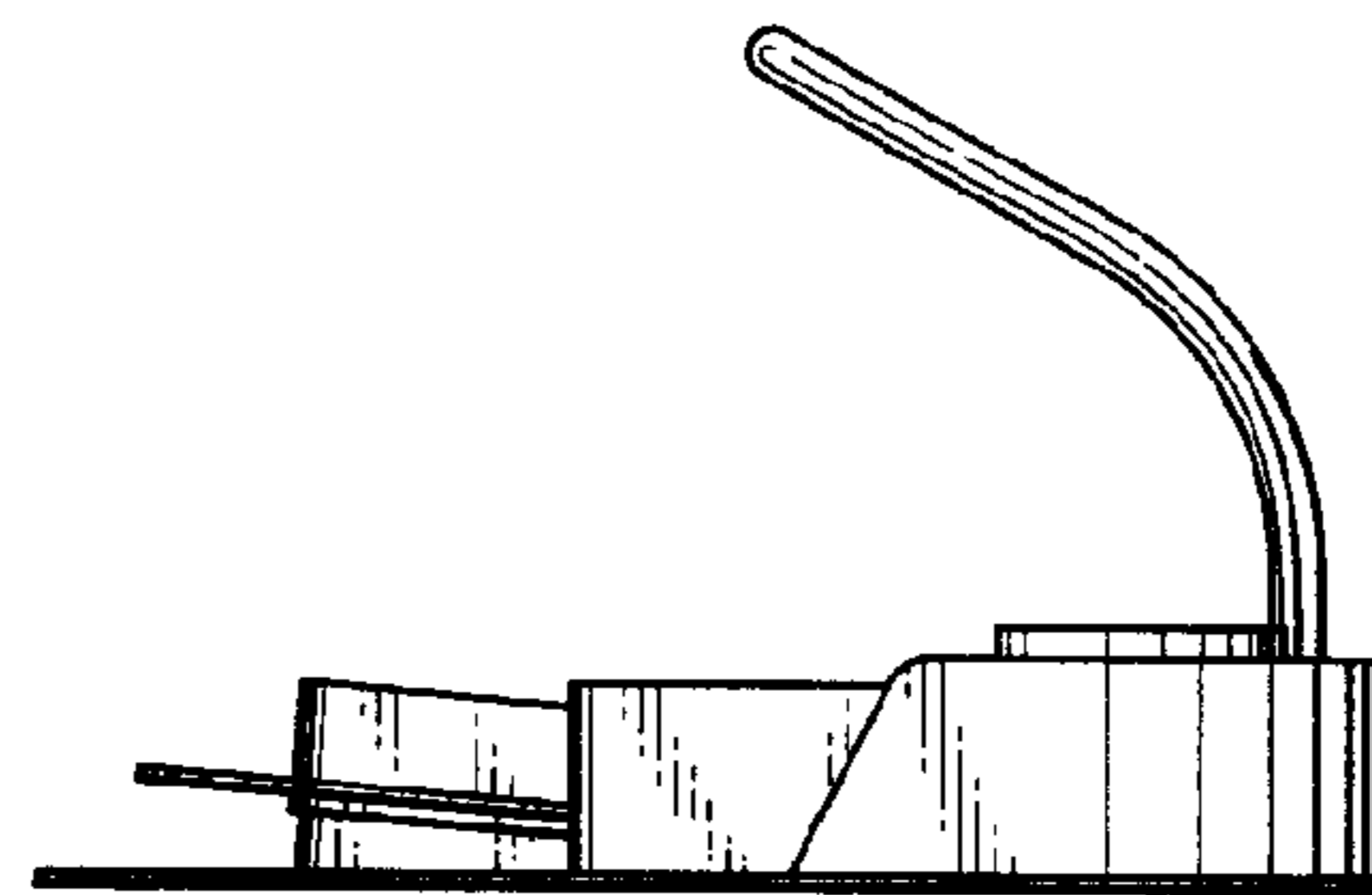


FIG. 7