



US00D542740S

(12) **United States Design Patent**  
**Pollard**

(10) **Patent No.:** **US D542,740 S**

(45) **Date of Patent:** **\*\* May 15, 2007**

(54) **SINGLE FOOT PEDAL CONTROL**

2005/0103607 A1 \* 5/2005 Mezhinsky ..... 200/86.5

(75) Inventor: **David A. Pollard**, Plainfield, CT (US)

\* cited by examiner

(73) Assignee: **Linemaster Switch Corporation**,  
Woodstock, CT (US)

*Primary Examiner*—Selina Sikder

(74) *Attorney, Agent, or Firm*—Alix, Yale & Ristas, LLP

(\*\*) Term: **14 Years**

(57) **CLAIM**

The ornamental design for a single foot pedal control, as shown and described.

(21) Appl. No.: **29/256,466**

(22) Filed: **Mar. 21, 2006**

**DESCRIPTION**

(51) **LOC (8) Cl.** ..... **13-03**

FIG. 1 is a perspective view of the single foot pedal control showing my new design;

(52) **U.S. Cl.** ..... **D13/167**

FIG. 2 is a rear view of the single foot pedal control of FIG. 1;

(58) **Field of Classification Search** ..... D13/167;

D15/72; D24/179; 5/600, 616; 74/512, 616;

200/43.01, 61.09, 61.89, 86.5, 86 R; 297/71,

297/330; 338/153; 433/101

See application file for complete search history.

FIG. 3 is a front view of the single foot pedal control of FIG. 1;

FIG. 4 is a left side view of the single foot pedal control of FIG. 1;

(56) **References Cited**

**U.S. PATENT DOCUMENTS**

5,340,953 A \* 8/1994 Krebs et al. .... 200/86.5

5,422,521 A \* 6/1995 Neer et al. .... 307/119

D407,379 S \* 3/1999 Schwaegerle ..... D13/167

6,862,951 B2 \* 3/2005 Peterson et al. .... 74/560

D517,022 S \* 3/2006 Pollard ..... D13/167

D517,501 S \* 3/2006 Kotyk ..... D13/167

2004/0093672 A1 \* 5/2004 Ruehl et al. .... 5/600

FIG. 5 is a top view of the single foot pedal control of FIG. 1; and,

FIG. 6 is a bottom view of the single foot pedal control of FIG. 1.

The broken lines in FIGS. 1, 2, 5 and 6 are illustrative of environmental structure only and form no part of the claimed design.

**1 Claim, 4 Drawing Sheets**

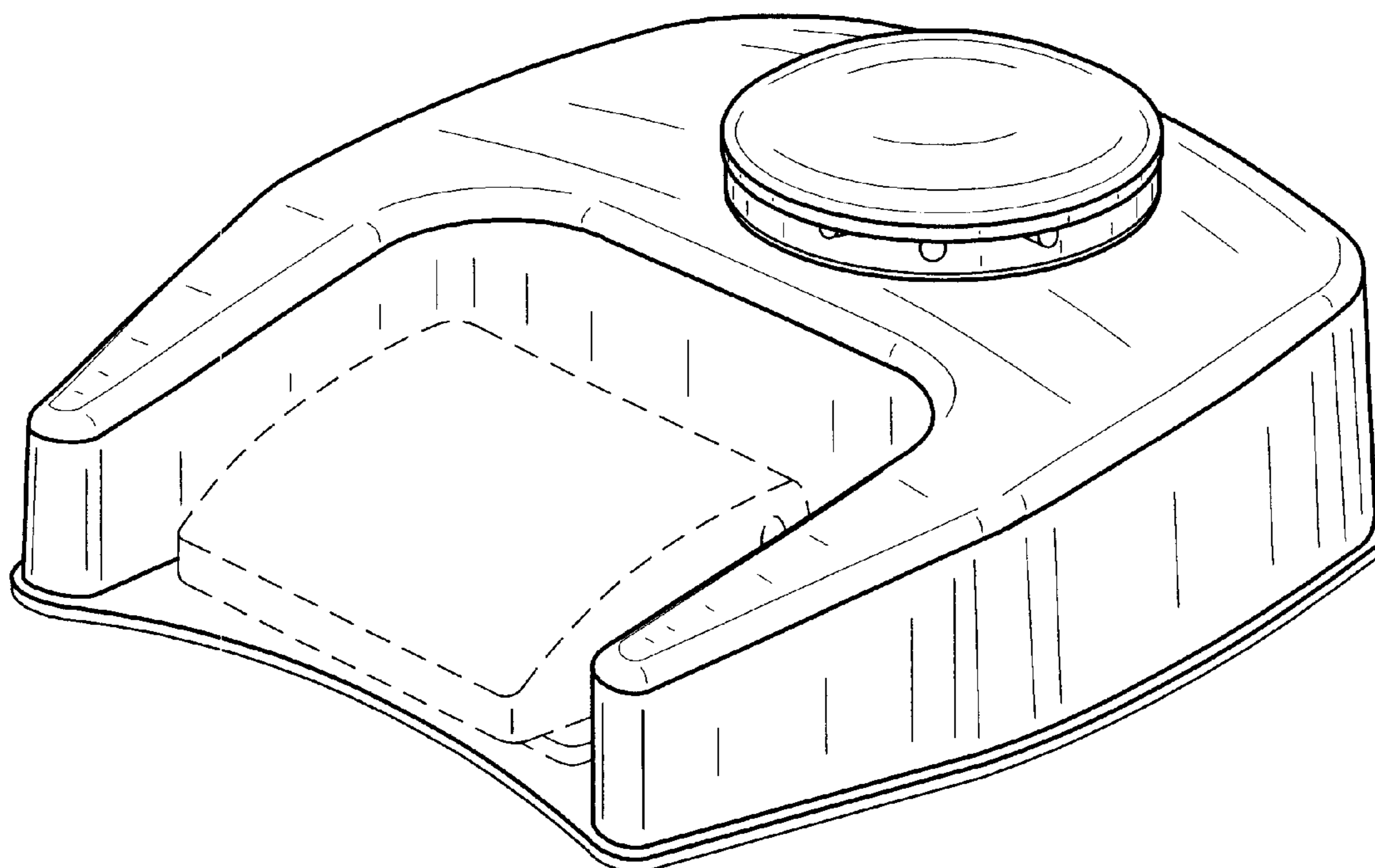
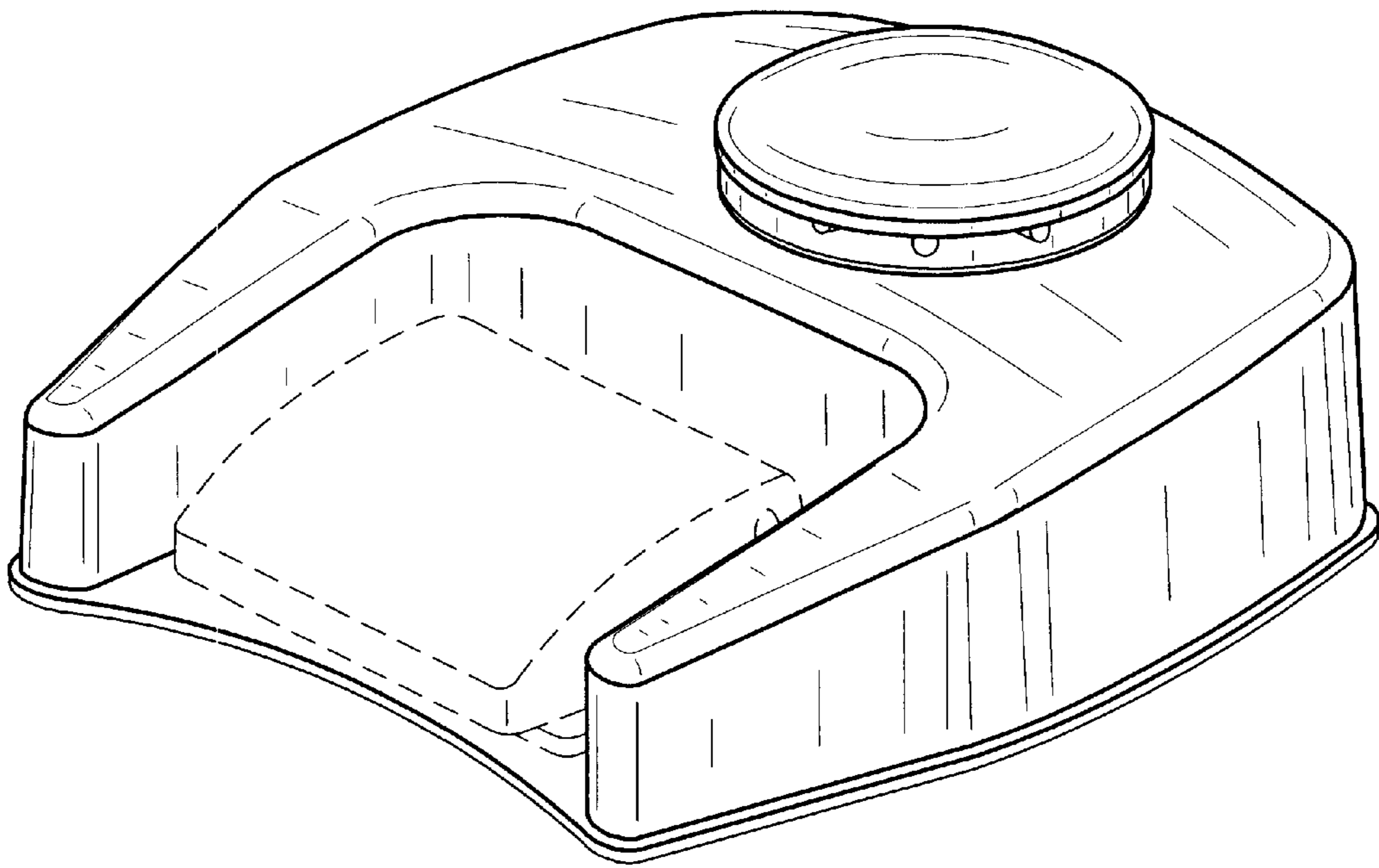
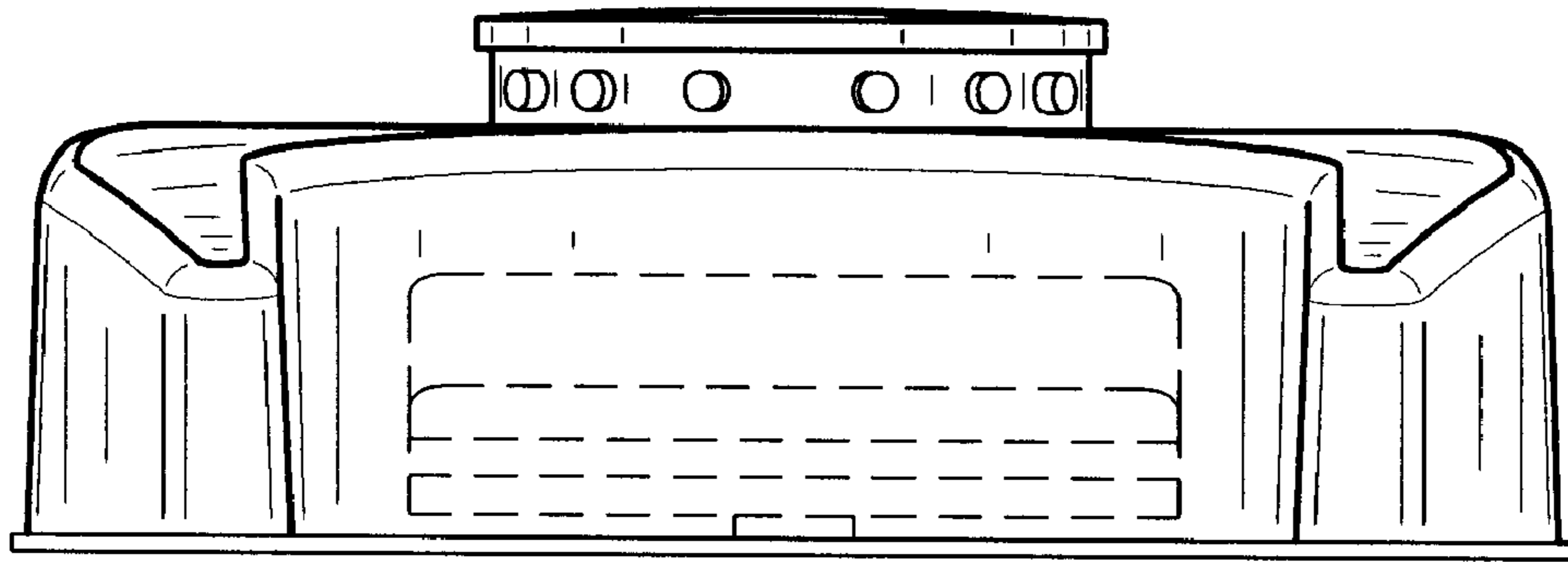


FIG. 1



# FIG. 2



# FIG. 3

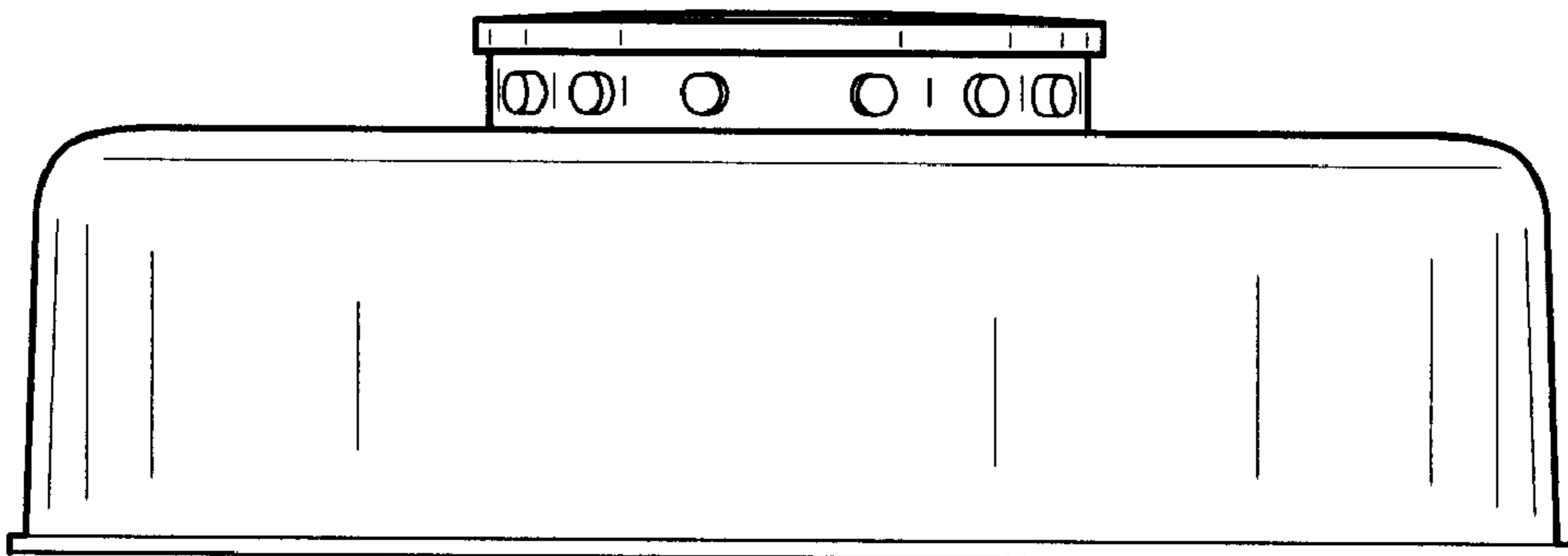


FIG. 4

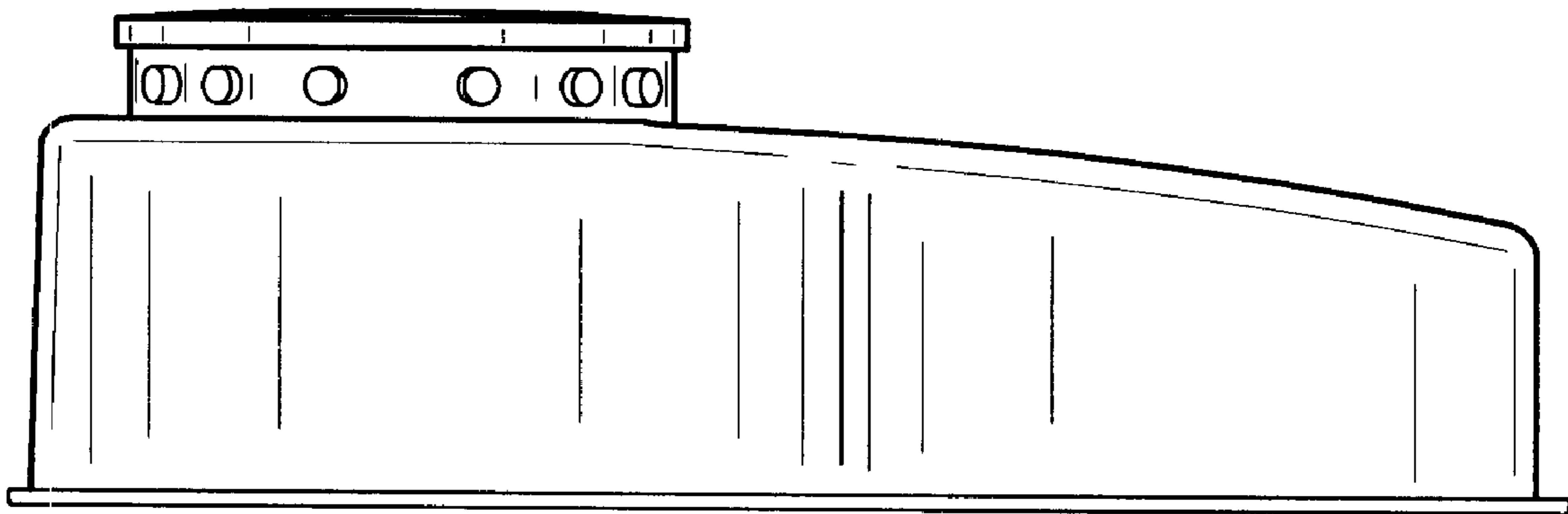


FIG. 5

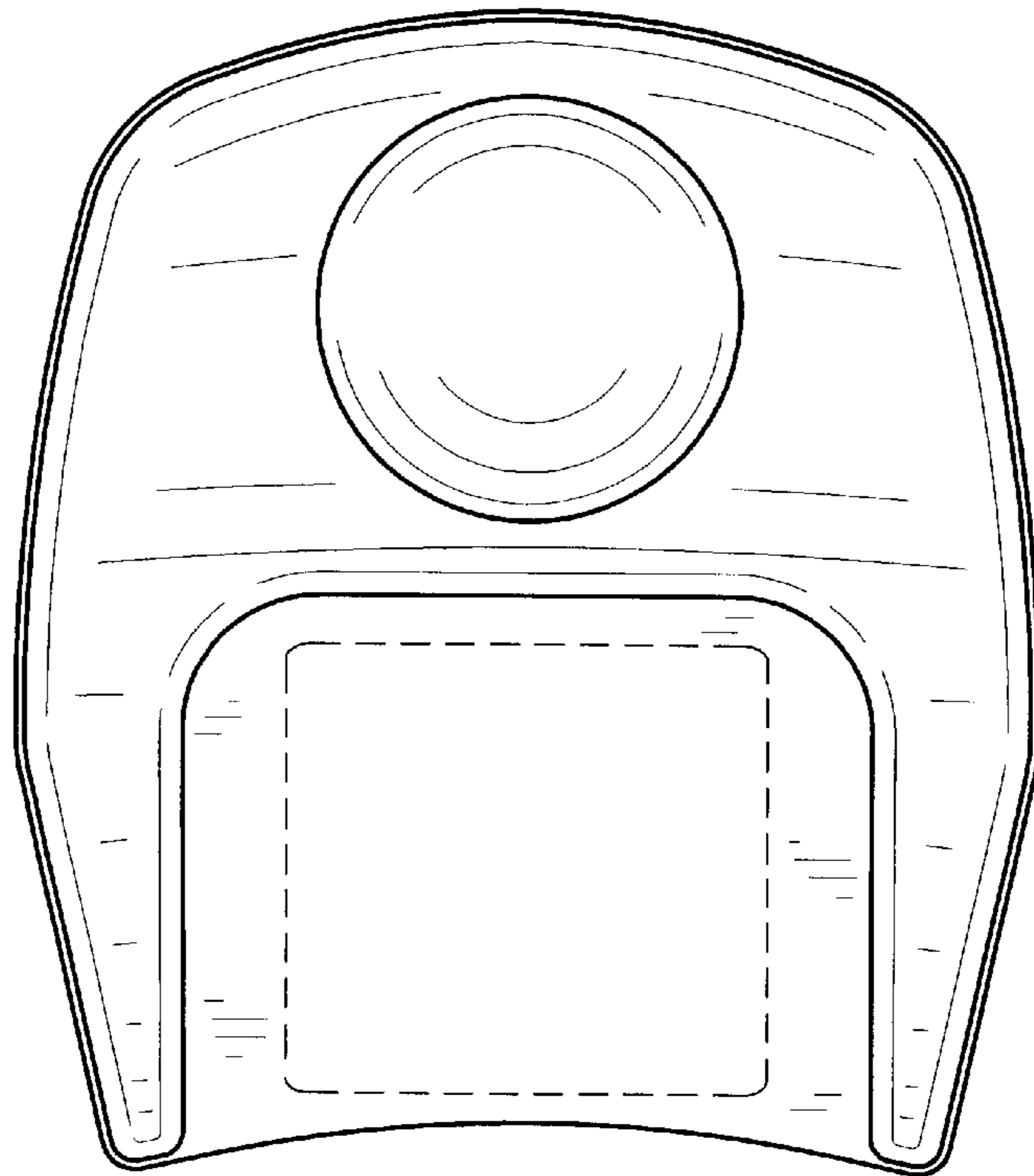


FIG. 6

