

US00D542738S

(12) **United States Design Patent**
Pollard

(10) **Patent No.:** **US D542,738 S**

(45) **Date of Patent:** **** May 15, 2007**

(54) **LIGHT RECEIVER CONTROL**

6,384,407 B1 * 5/2002 Frank 250/239
D526,279 S * 8/2006 Kotyk D13/158

(75) Inventor: **David A. Pollard**, Plainfield, CT (US)

* cited by examiner

(73) Assignee: **Linemaster Switch Corporation**,
Woodstock, CT (US)

Primary Examiner—Selina Sikder

(74) *Attorney, Agent, or Firm*—Alix, Yale & Ristas, LLP

(**) Term: **14 Years**

(57) **CLAIM**

(21) Appl. No.: **29/205,732**

The ornamental design for a light receiver control, as shown and described.

(22) Filed: **May 19, 2004**

DESCRIPTION

(51) **LOC (8) Cl.** **13-03**

(52) **U.S. Cl.** **D13/165; D13/158**

(58) **Field of Classification Search** D13/158,
D13/162, 165; D10/104, 106; 250/216, 239,
250/330, 336.1, 338.1; 315/155, 159; 340/540,
340/825.71, 825.72; 359/668, 710; 398/106,
398/111, 140

See application file for complete search history.

FIG. 1 is a perspective view of the light receiver control showing my new design;

FIG. 2 is a front view of the light receiver control of FIG. 1;

FIG. 3 is a rear view of the light receiver control of FIG. 1;

FIG. 4 is a left side view of the light receiver control of FIG. 1;

FIG. 5 is a top view of the light receiver control of FIG. 1; and,

FIG. 6 is a bottom view of the light receiver control of FIG. 1; the broken lines in FIGS. 1–6 are illustrative of environmental structure only and form no part of the claimed design.

(56) **References Cited**

U.S. PATENT DOCUMENTS

3,922,522 A * 11/1975 Anderson 250/216
4,042,821 A * 8/1977 Mierzwinski 250/216
5,677,529 A * 10/1997 Hofmann et al. 250/221

1 Claim, 4 Drawing Sheets

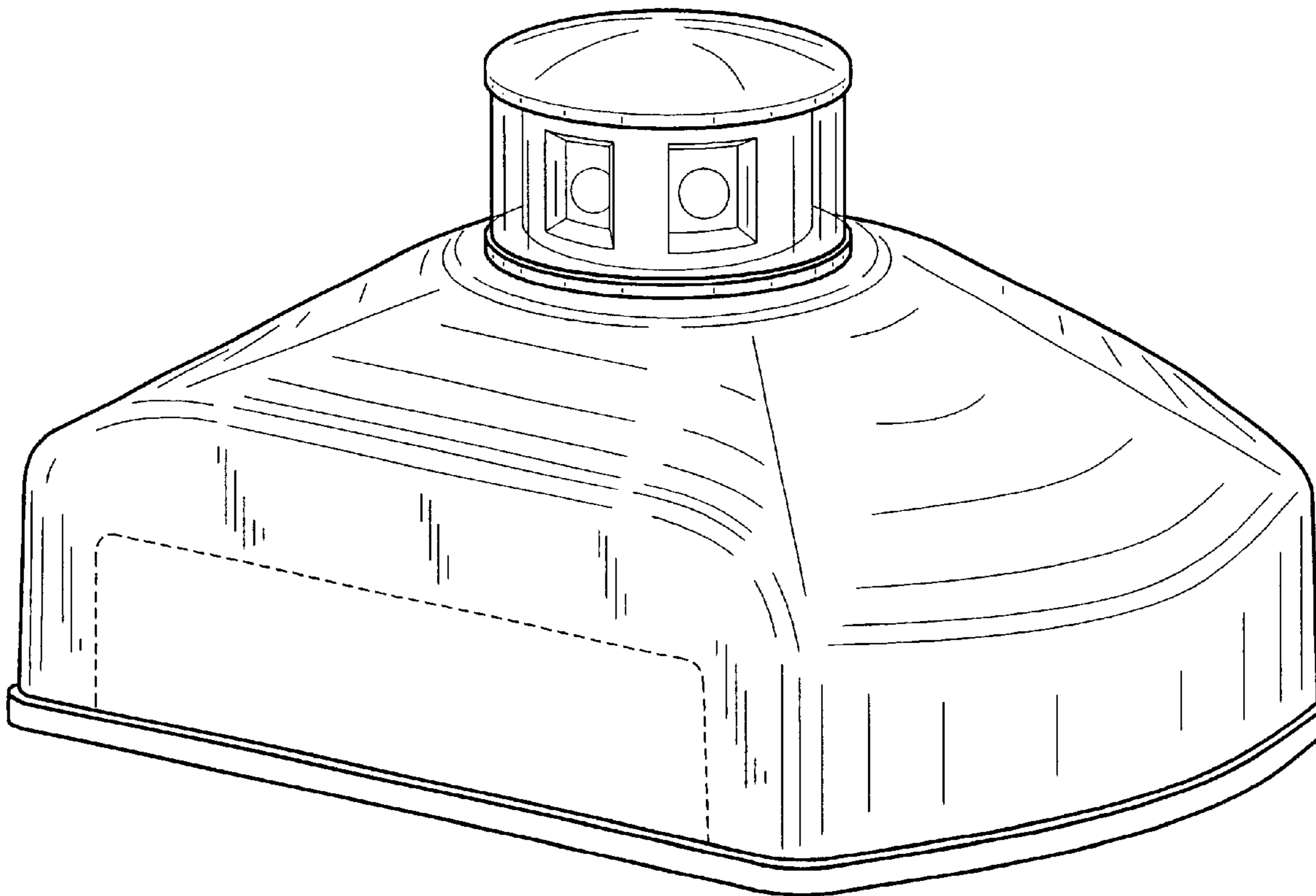


FIG. 1

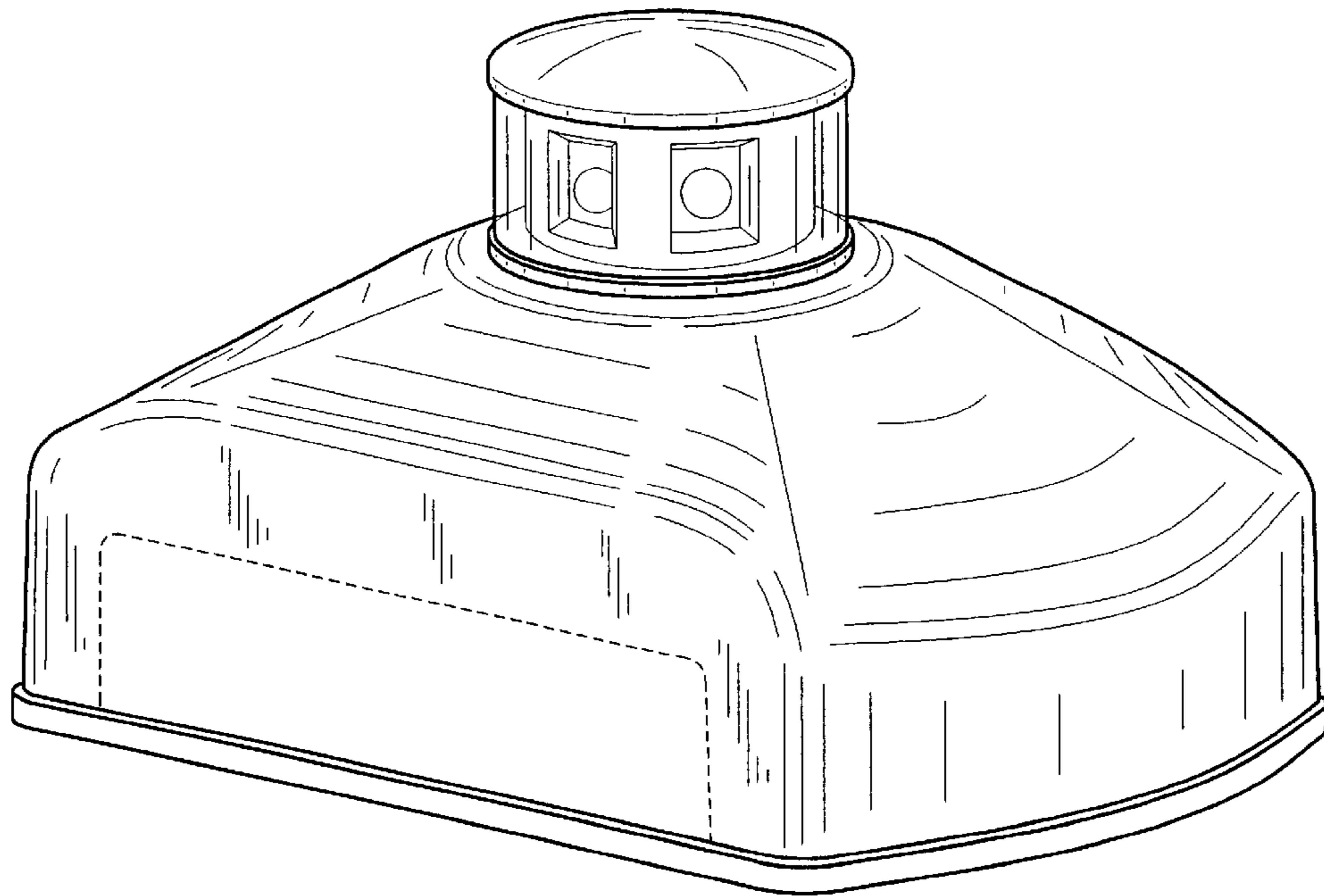


FIG. 2

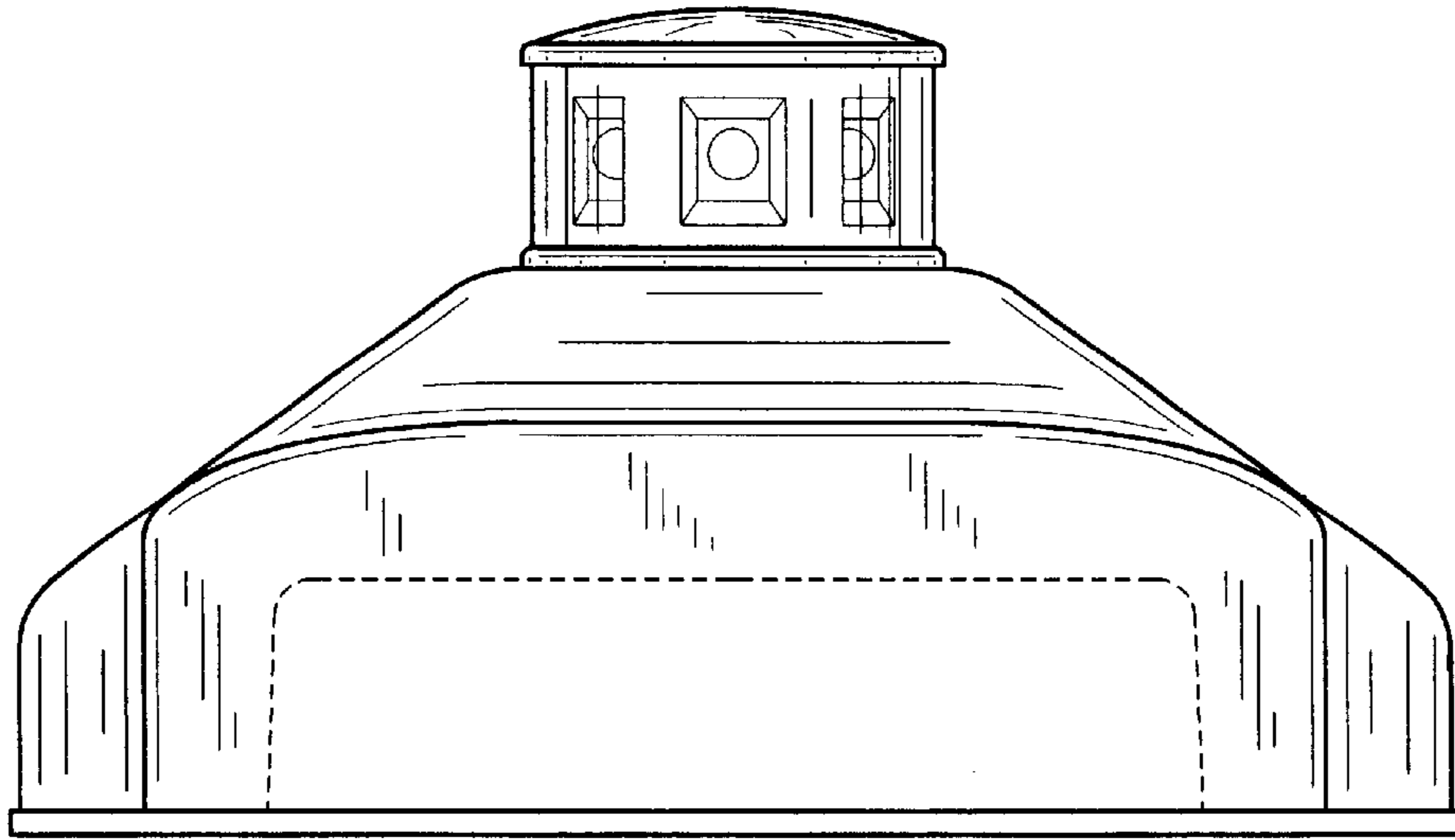


FIG. 3

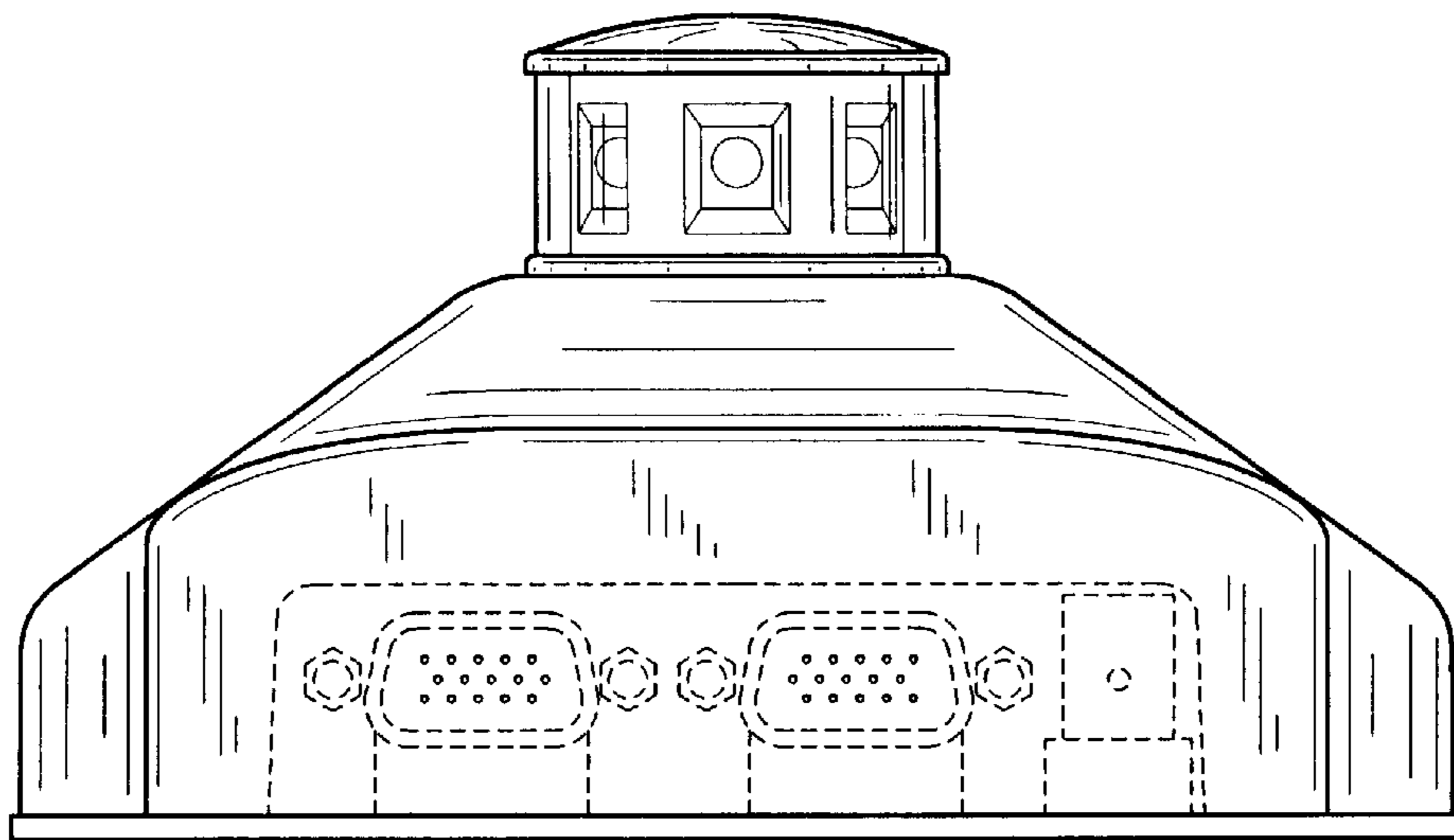


FIG. 4

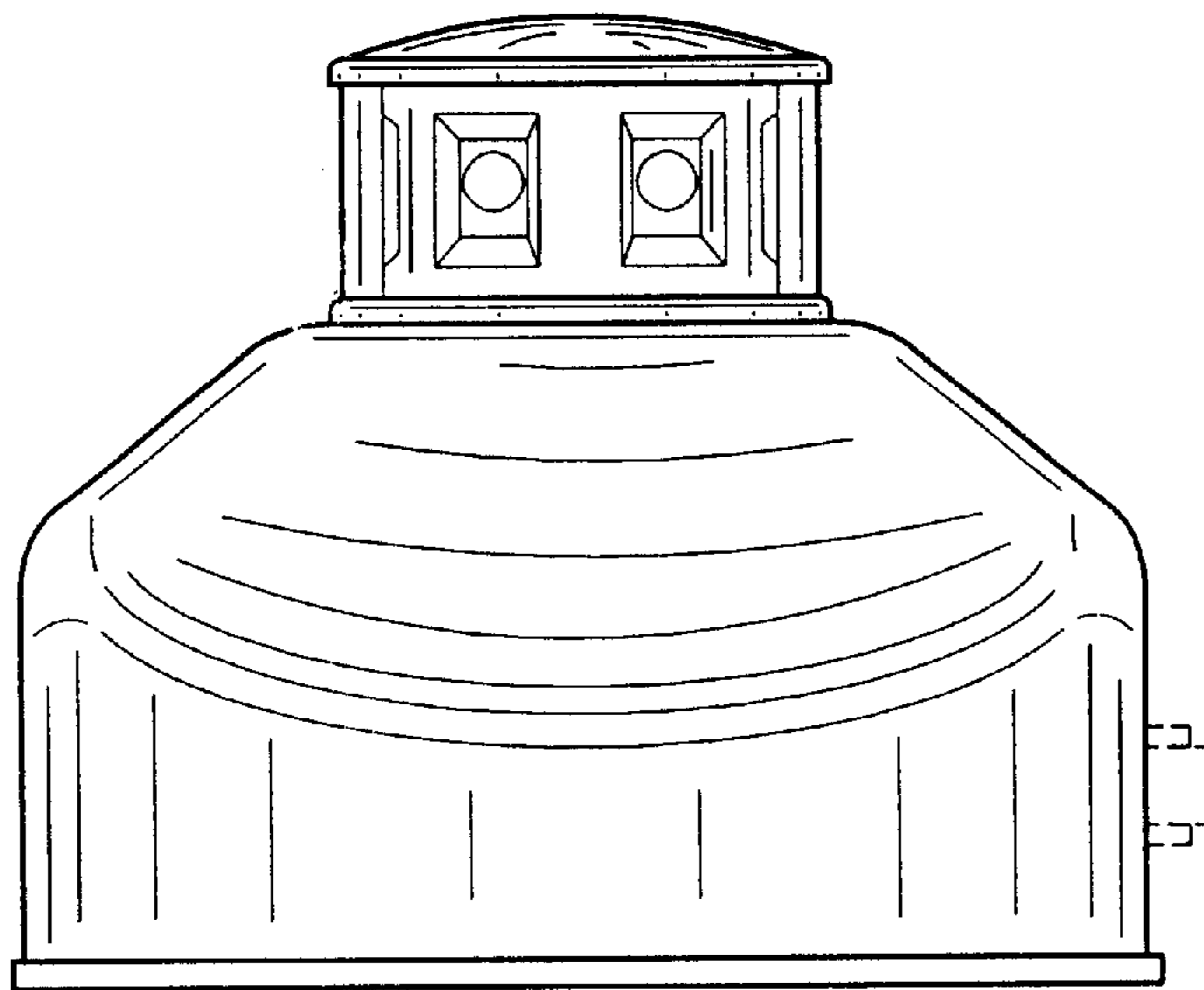


FIG. 5

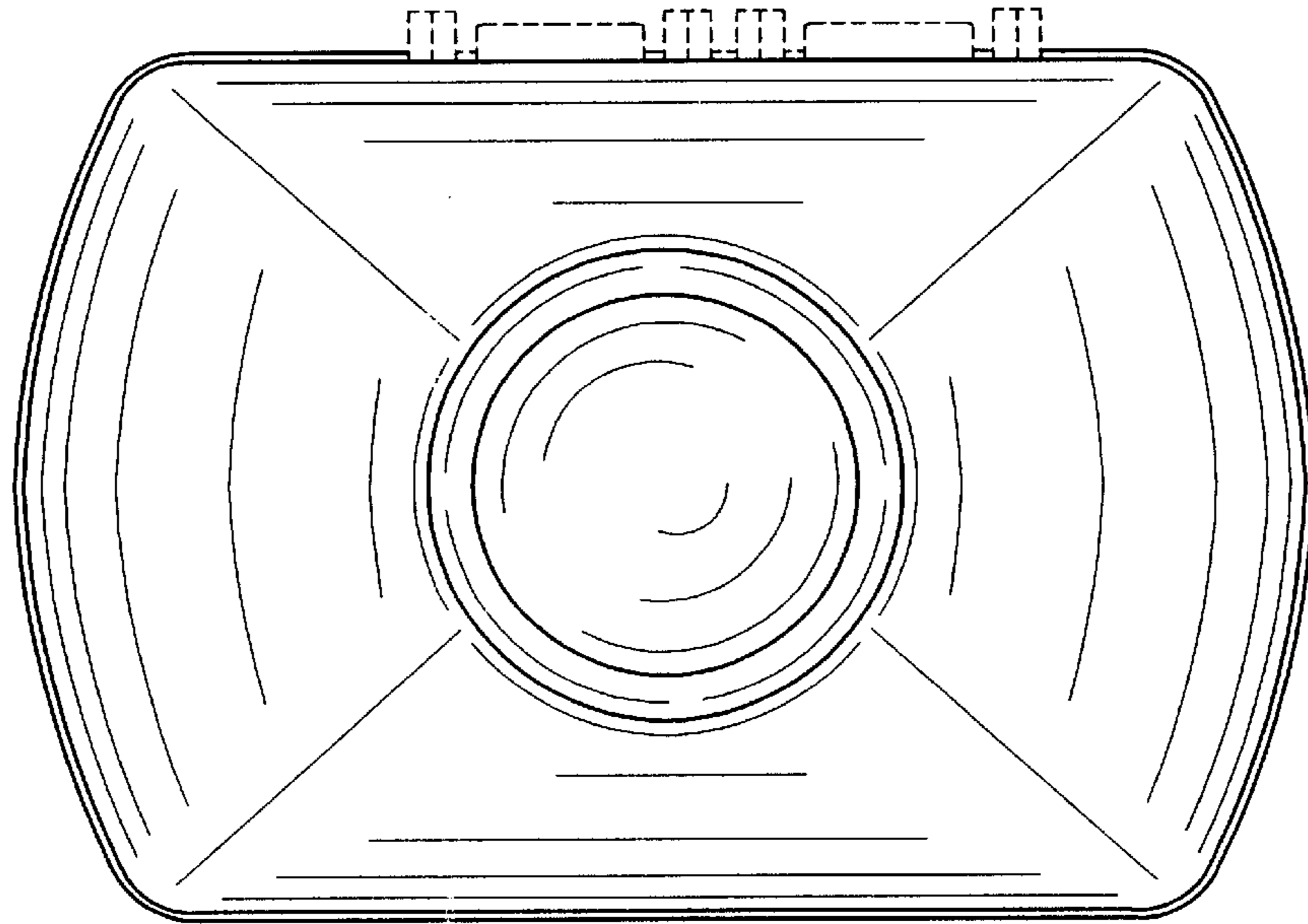


FIG. 6

