

US00D542736S

(12) **United States Design Patent**
Riku

(10) **Patent No.:** **US D542,736 S**

(45) **Date of Patent:** **** *May 15, 2007**

(54) **ELECTRICAL CONNECTOR**

(75) Inventor: **Kazuya Riku**, Tokyo (JP)

(73) Assignee: **Tyco Electronics AMP K.K.**,
Kanagawa-Ken (JP)

(*) Notice: This patent is subject to a terminal disclaimer.

(**) Term: **14 Years**

(21) Appl. No.: **29/219,276**

(22) Filed: **Dec. 14, 2004**

(30) **Foreign Application Priority Data**

Jun. 15, 2004 (JP) 2004-017858

(51) **LOC (8) Cl.** **13-03**

(52) **U.S. Cl.** **D13/147**

(58) **Field of Classification Search** D13/133,
D13/184, 154, 199, 146-147; 439/79, 101,
439/108, 344, 350, 352, 447, 557, 571, 573,
439/540.1, 541.5, 607-608, 825
See application file for complete search history.

(56) **References Cited**

U.S. PATENT DOCUMENTS

- 6,012,932 A * 1/2000 Vanbesien 439/101
- 6,319,075 B1 11/2001 Clark et al.
- 6,402,566 B1 * 6/2002 Middlehurst et al. 439/699.1
- 6,652,294 B1 * 11/2003 Zhang 439/83
- 6,890,221 B2 * 5/2005 Wagner 439/855

- D512,022 S * 11/2005 Riku D13/147
- D517,014 S * 3/2006 Riku D13/147
- D517,015 S * 3/2006 Riku D13/147
- D517,486 S * 3/2006 Riku D13/147
- D520,956 S * 5/2006 Riku D13/147
- 7,037,142 B2 * 5/2006 Evans 439/680

* cited by examiner

Primary Examiner—Daniel Bui

(74) *Attorney, Agent, or Firm*—Barley Snyder LLC

(57) **CLAIM**

The ornamental design for an electrical connector, as shown and described.

DESCRIPTION

FIG. 1 is a front elevation view of an electrical connector, showing my new design;

FIG. 2 is a top plan view thereof;

FIG. 3 is a bottom plan view thereof;

FIG. 4 is a right side elevation view thereof;

FIG. 5 is a left side elevation view thereof;

FIG. 6 is a rear elevation view thereof;

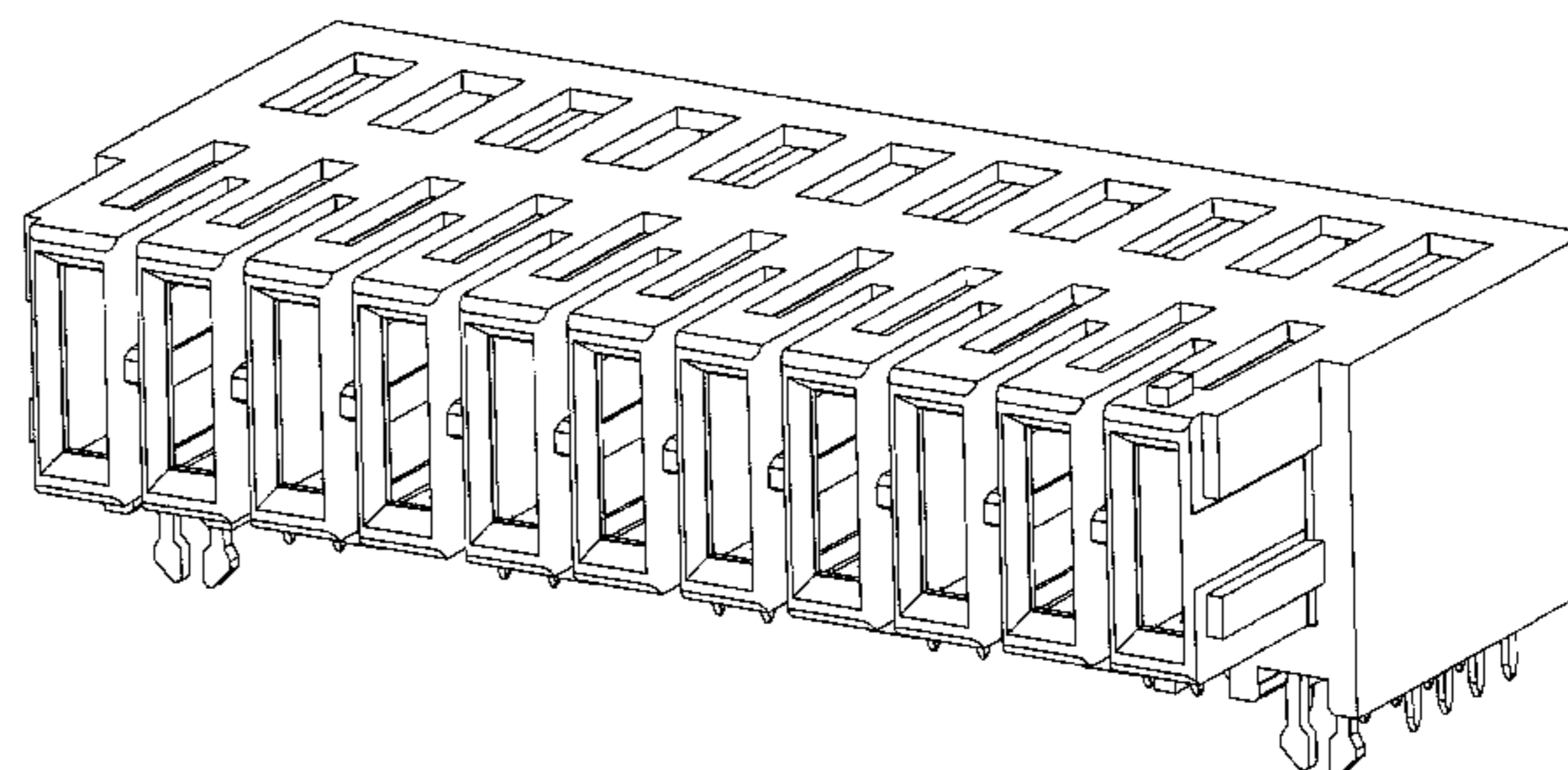
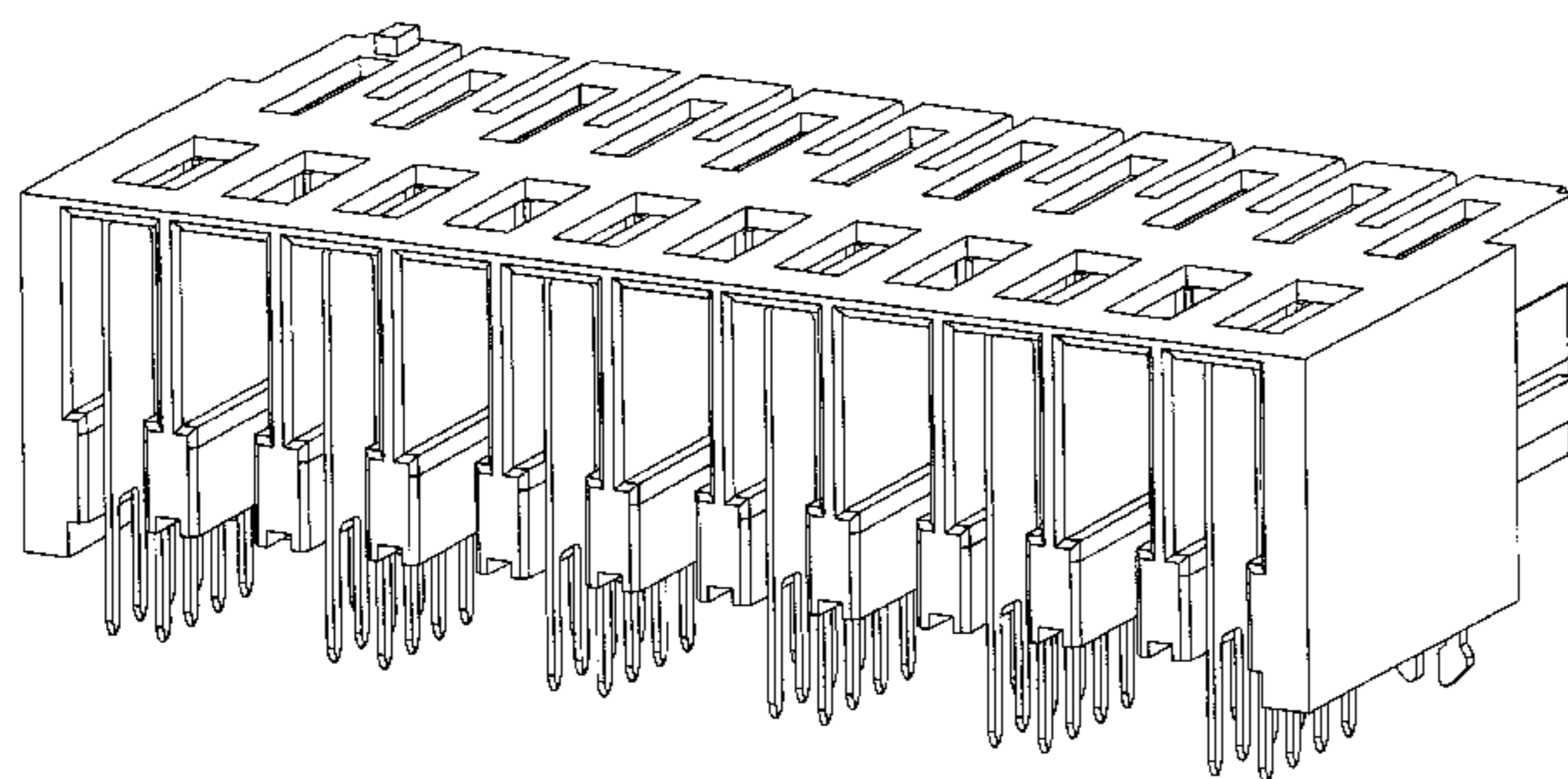
FIG. 7 is a cross sectional view thereof; taken along the line 7—7 in FIG. 1;

FIG. 8 is a cross sectional view thereof on a larger scale, taken along the line 8—8 in FIG. 1;

FIG. 9 is a top, rear and left side perspective view thereof; and,

FIG. 10 is a top, front and right side perspective view thereof.

1 Claim, 10 Drawing Sheets



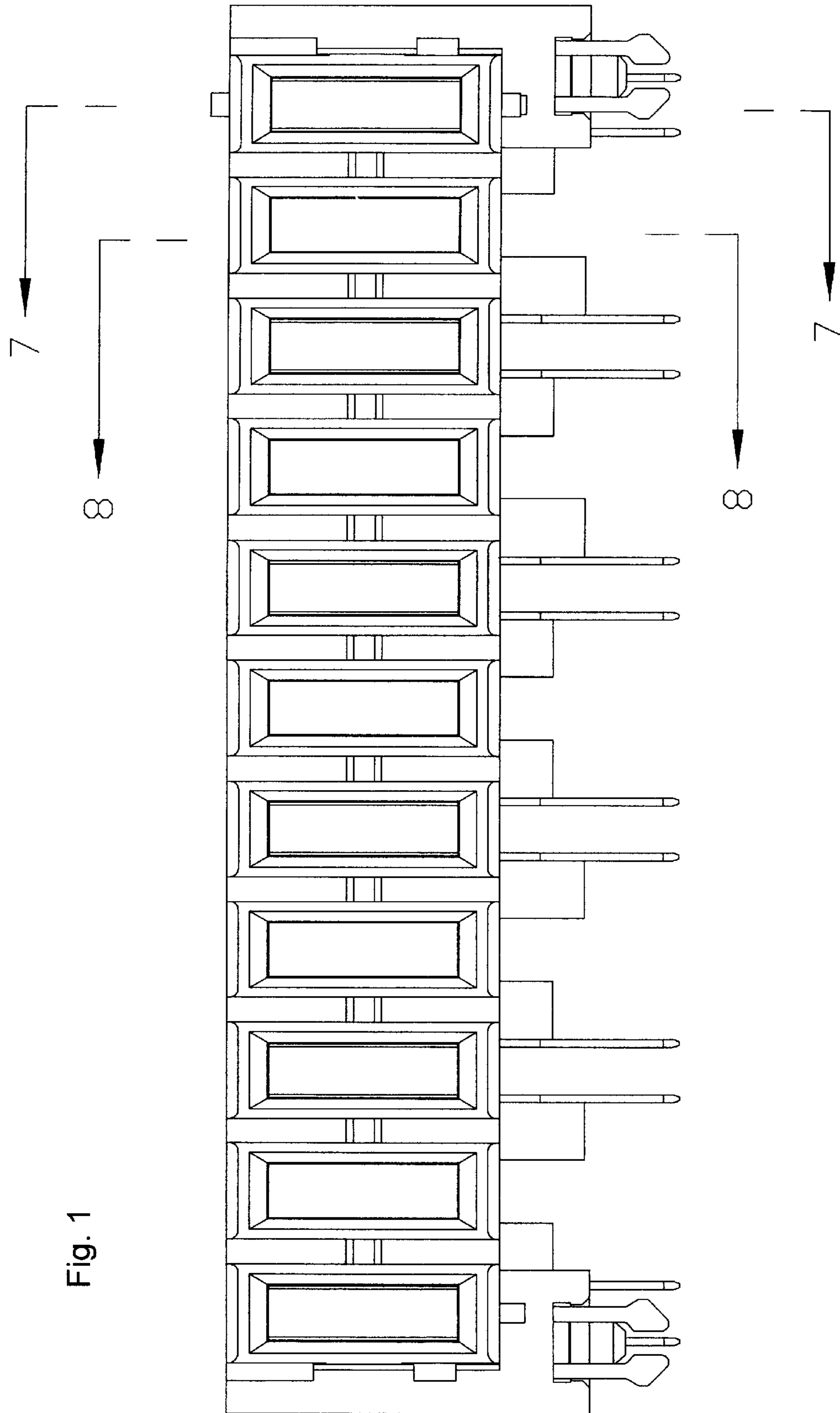
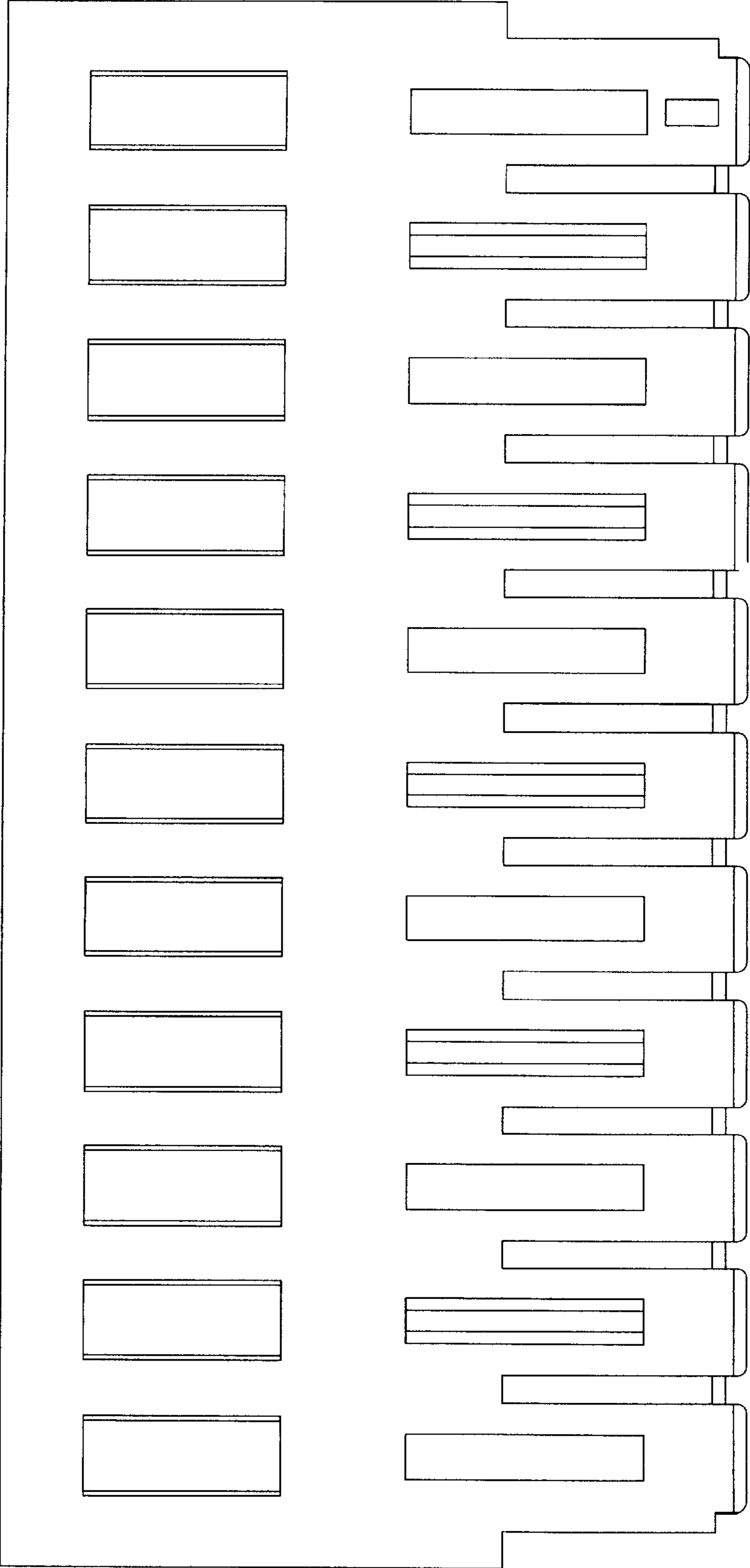


Fig. 1

Fig. 2



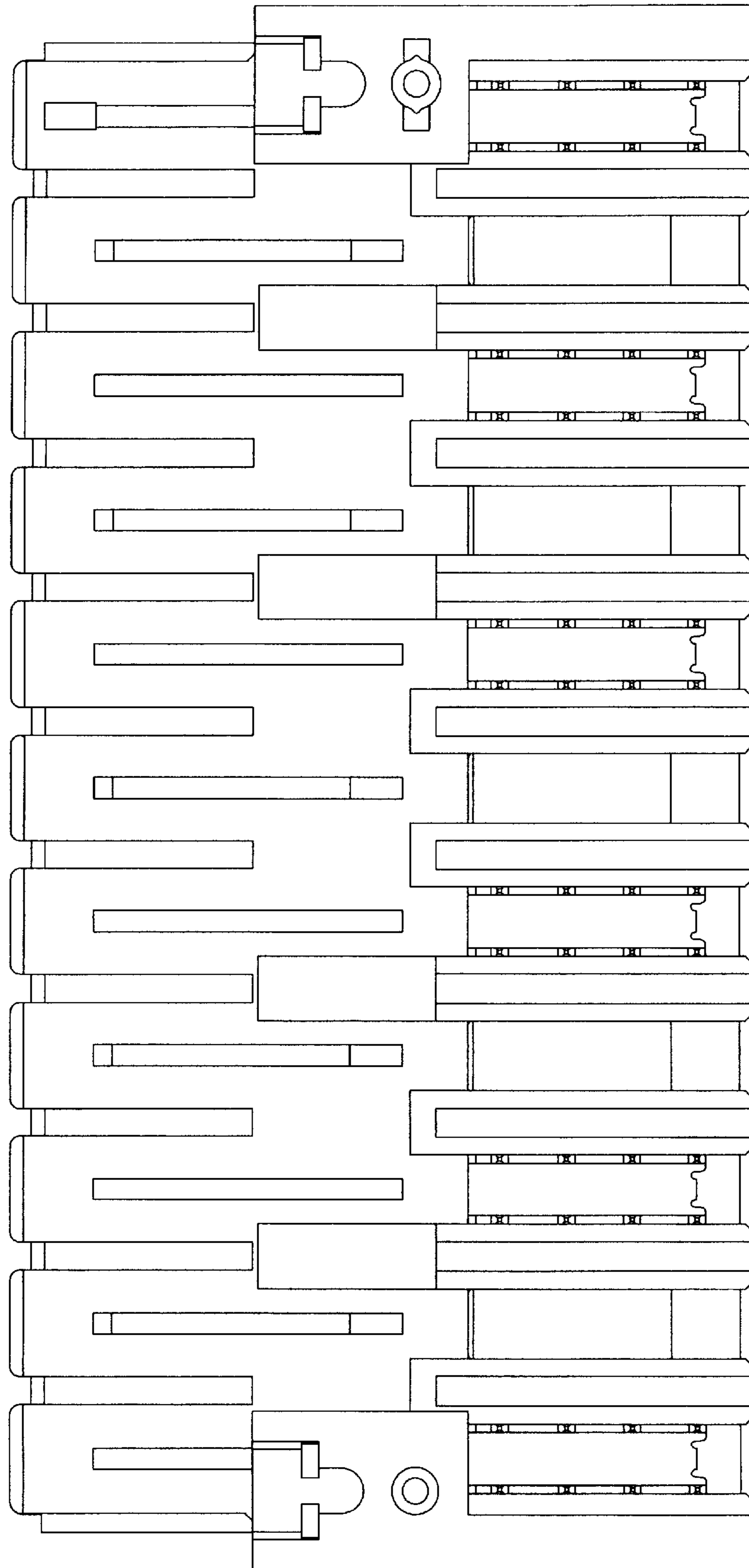
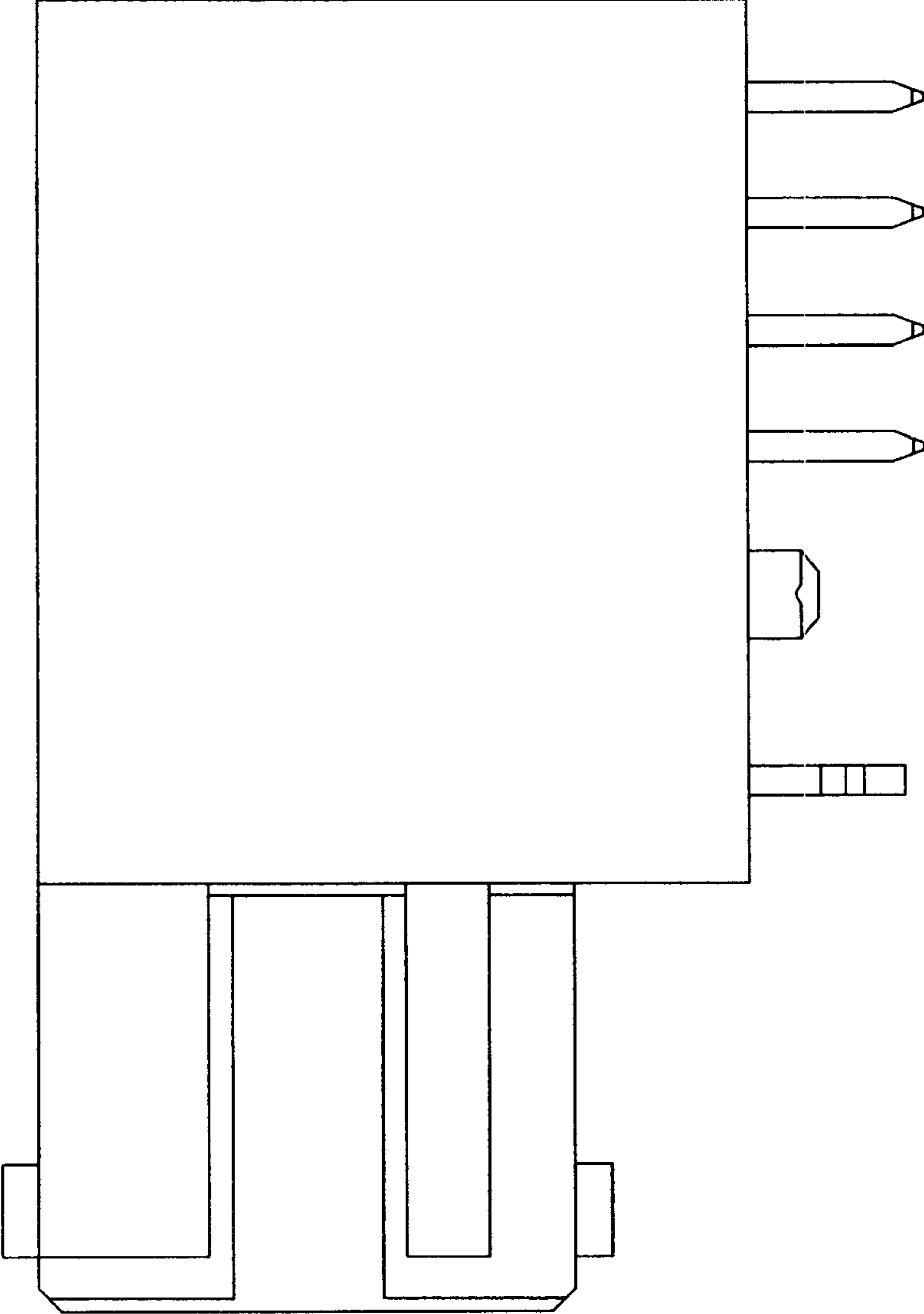


Fig. 3

Fig. 4



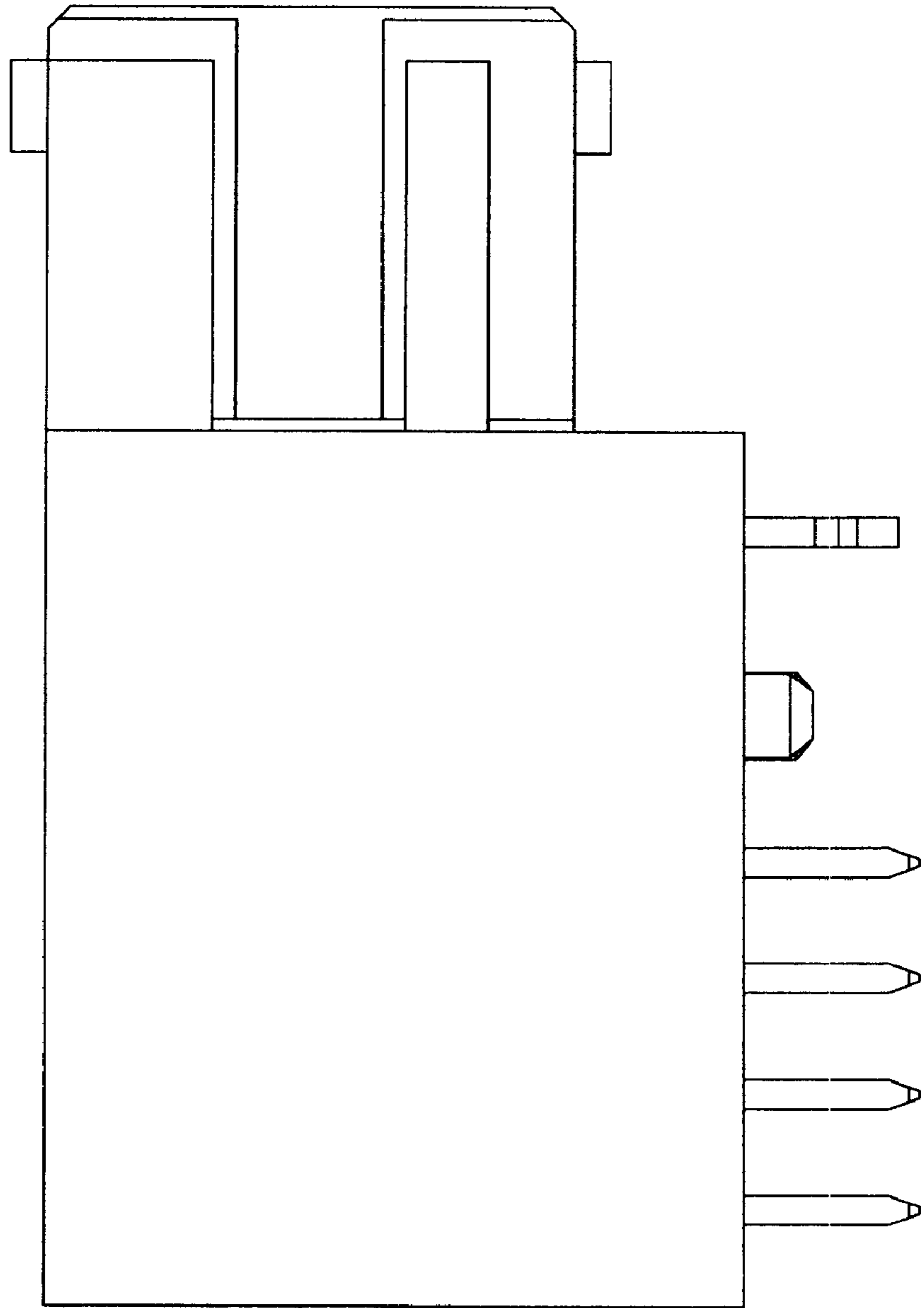
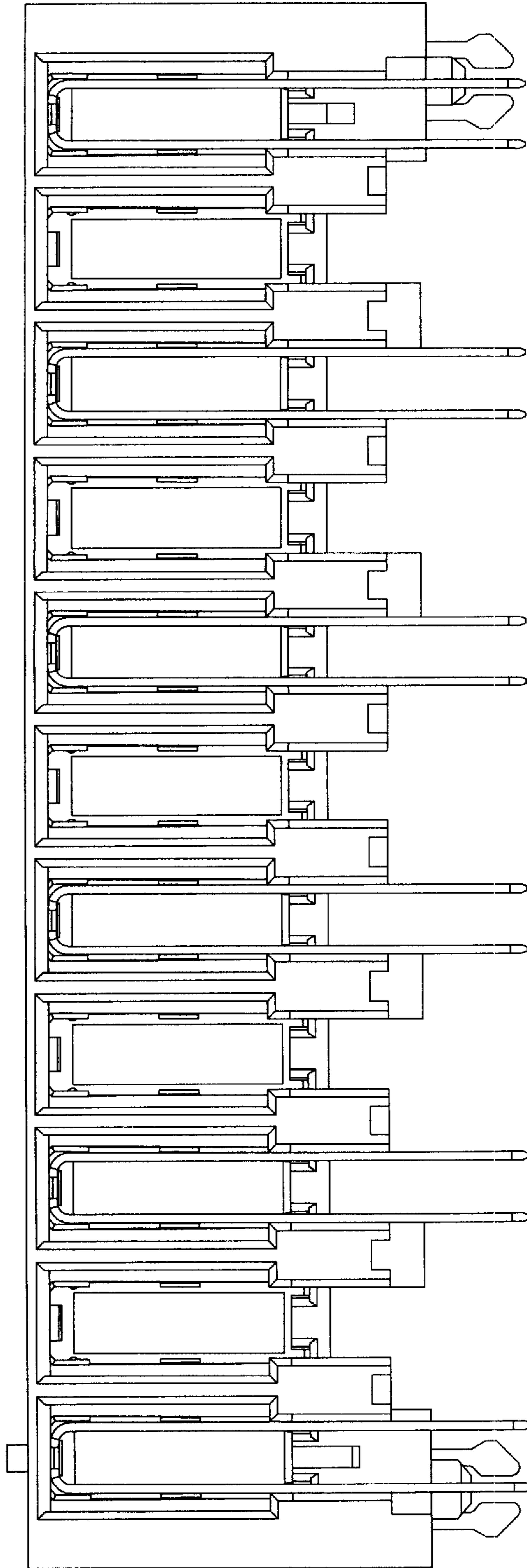


Fig. 5

Fig. 6



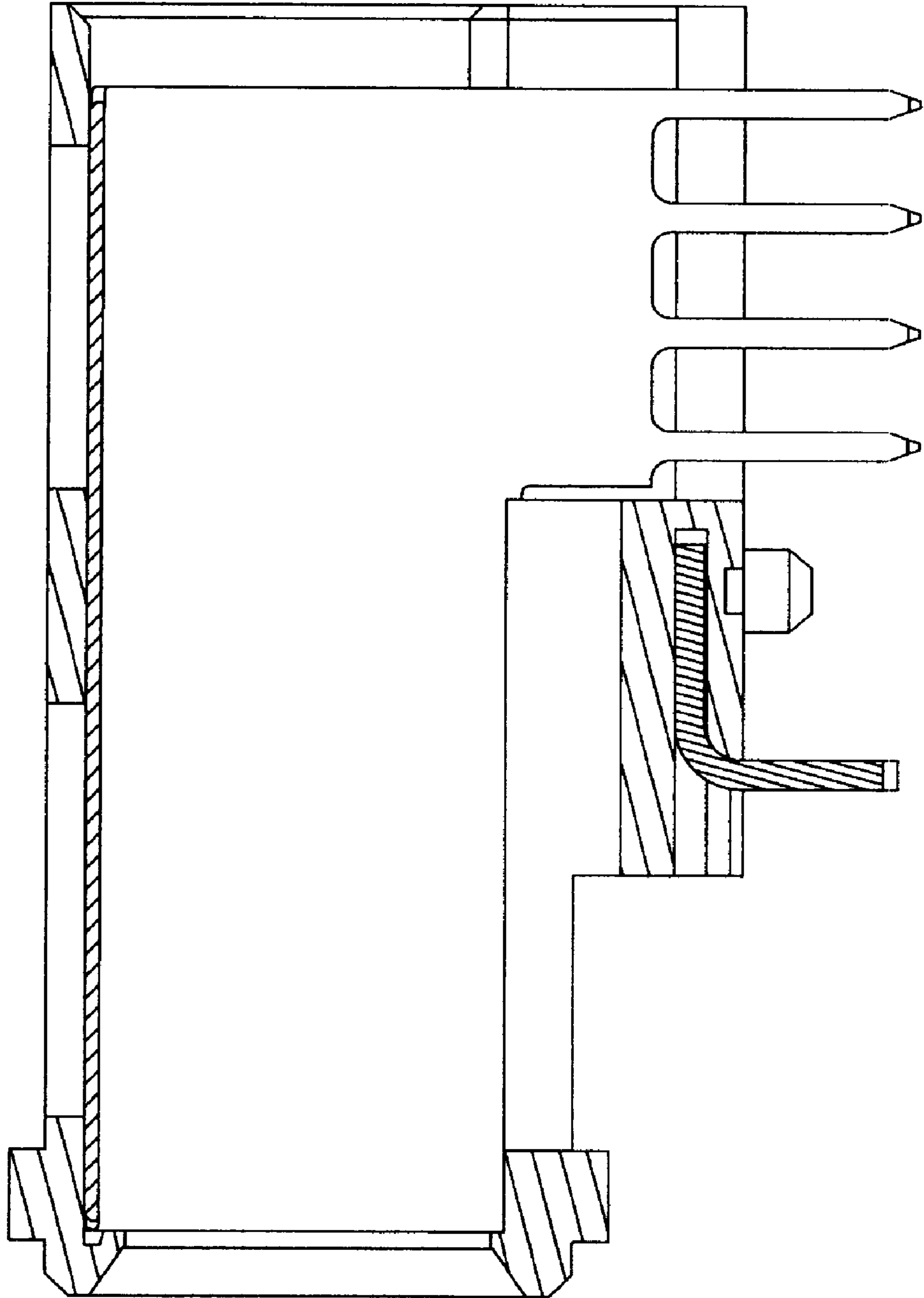
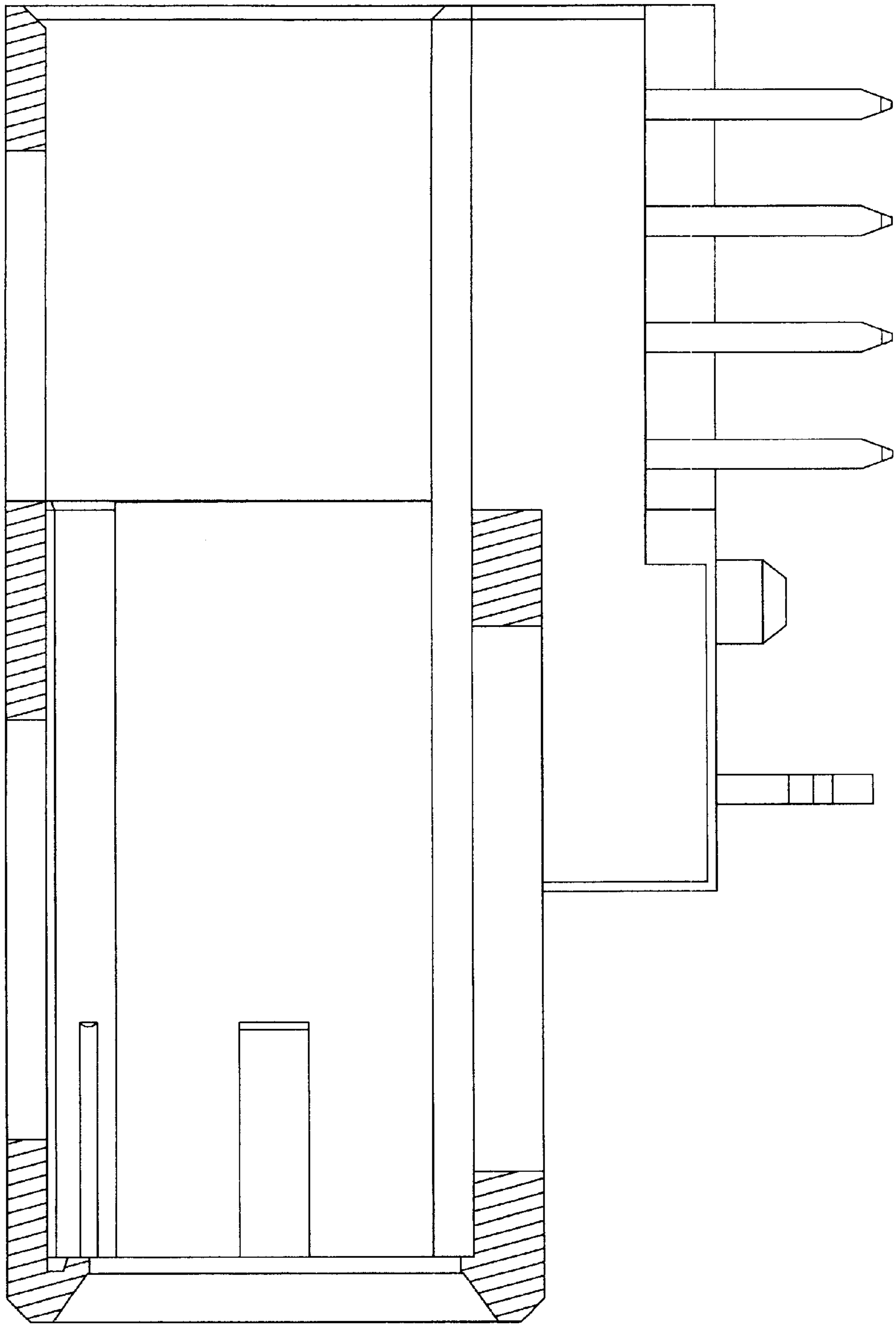


Fig. 7

Fig. 8



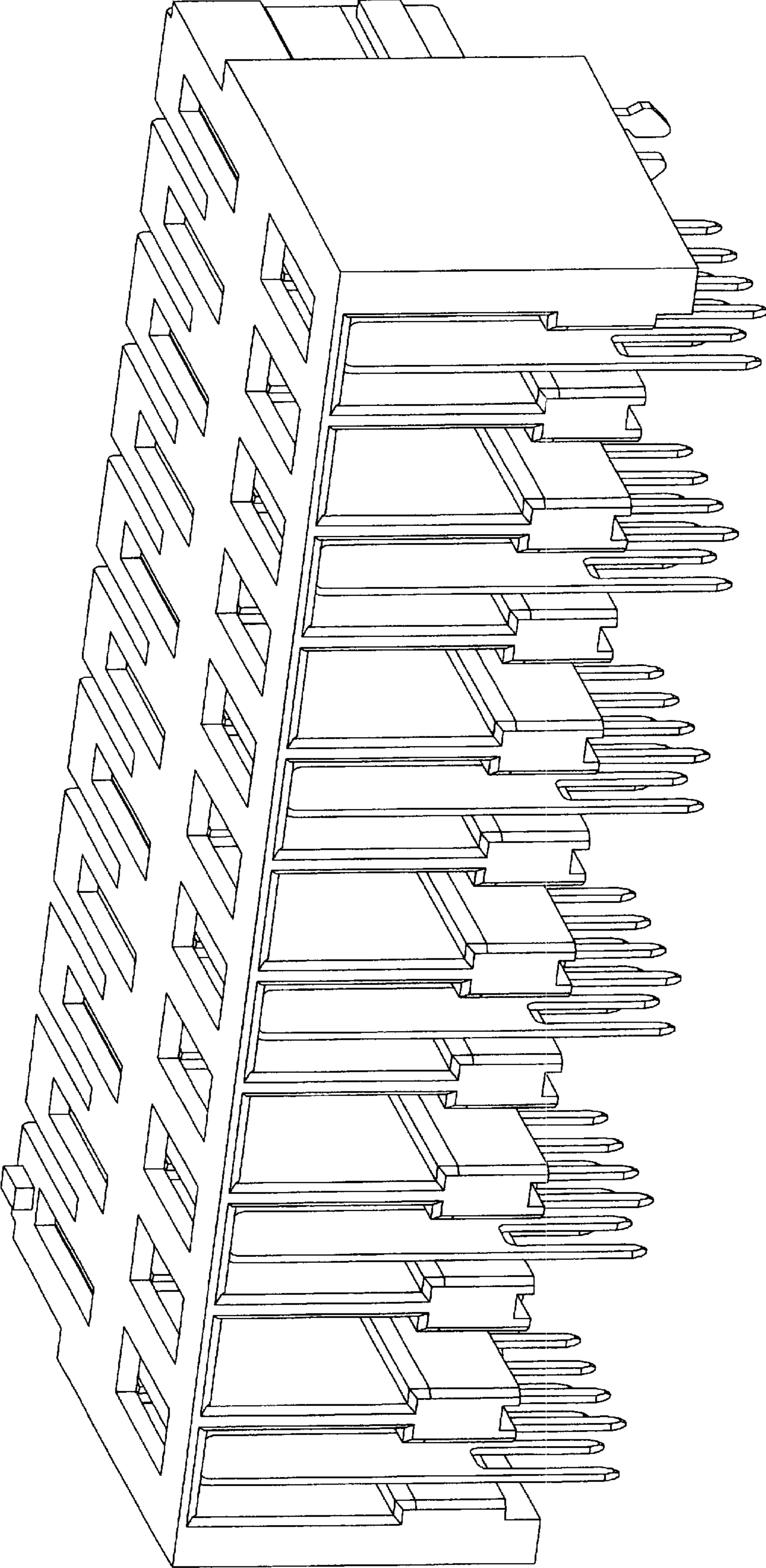


Fig. 9

Fig. 10

