



US00D542735S

(12) **United States Design Patent** (10) **Patent No.:** **US D542,735 S**  
**Keilholz et al.** (45) **Date of Patent:** **\*\* May 15, 2007**

(54) **LAMPSOCKET BASE**  
(75) Inventors: **Michael J. Keilholz**, Cincinnati, OH (US); **Mark C. Reed**, West Chester, OH (US); **Robert E. Kaeser**, Cincinnati, OH (US)  
(73) Assignee: **LSI Industries, Inc.**, Cincinnati, OH (US)  
(\*\*) Term: **14 Years**

5,446,336 A \* 8/1995 Gleixner et al.  
5,474,467 A \* 12/1995 Chen  
5,683,271 A \* 11/1997 Newman  
5,698,935 A \* 12/1997 Newman  
5,874,800 A \* 2/1999 Newman  
5,967,847 A \* 10/1999 Newman  
D418,813 S \* 1/2000 Smith ..... D13/134  
6,547,582 B2 \* 4/2003 Matsuba et al. .... 439/339  
D517,480 S \* 3/2006 Luo ..... D13/134  
D519,455 S \* 4/2006 Tufano et al. .... D13/134  
7,025,612 B1 \* 4/2006 Keilholz et al. .... 439/226

(21) Appl. No.: **29/257,543**  
(22) Filed: **Apr. 6, 2006**

**Related U.S. Application Data**

(62) Division of application No. 11/083,836, filed on Mar. 18, 2005, now Pat. No. 7,015,612.  
(51) **LOC (8) Cl.** ..... **13-03**  
(52) **U.S. Cl.** ..... **D13/134**  
(58) **Field of Classification Search** ..... D13/123,  
D13/133-135, 154, 184, 199; 439/182, 226,  
439/230  
See application file for complete search history.

(56) **References Cited**  
**U.S. PATENT DOCUMENTS**

3,107,134 A \* 10/1963 Kerrigan  
3,248,685 A \* 4/1966 Knuppel  
3,315,216 A \* 4/1967 Krupp et al.  
D257,839 S \* 1/1981 Moussette ..... D13/125  
4,382,654 A \* 5/1983 Schick  
4,441,782 A \* 4/1984 Kneer  
D300,215 S \* 3/1989 Brenner et al. .... D13/134  
5,263,881 A \* 11/1993 Henrici et al. .... 439/686  
D348,249 S \* 6/1994 Hester ..... D13/134  
D354,730 S \* 1/1995 Collins ..... D13/125  
5,439,389 A \* 8/1995 Cheng et al.

**OTHER PUBLICATIONS**

“Product Bulletin for Open Fixture Landholders”, Leviton Manufacturing Co., Inc., 2004.\*

\* cited by examiner

*Primary Examiner*—Stella Reid  
*Assistant Examiner*—Daniel Bui  
(74) *Attorney, Agent, or Firm*—Daniel F. Nesbitt; Hasse & Nesbitt LLC

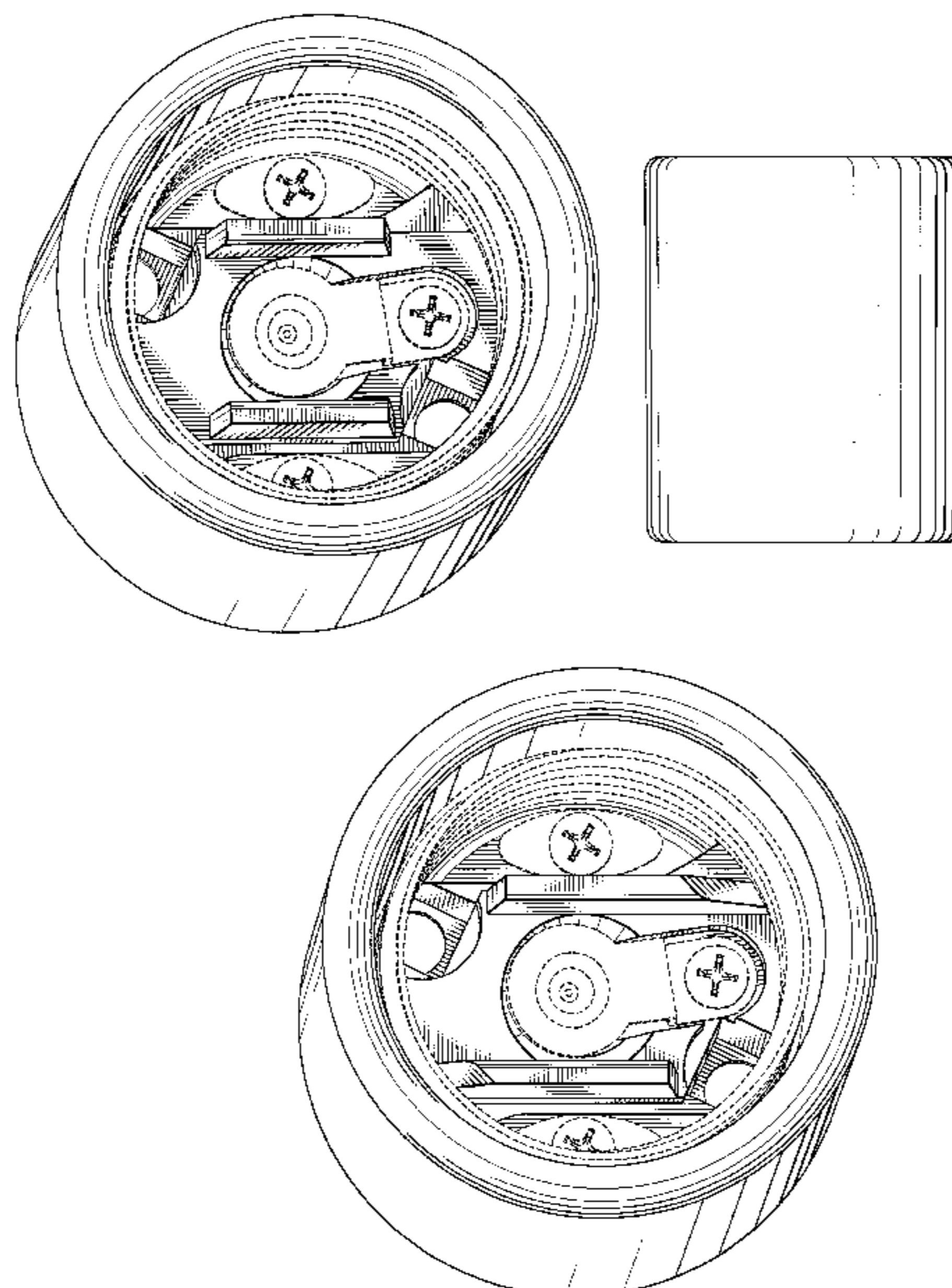
(57) **CLAIM**

The ornamental design for a lampsocket base, as shown and described.

**DESCRIPTION**

FIG. 1 is a top perspective view of the first embodiment of a lampsocket base, showing our new design; FIG. 2 is a top plan view thereof, on a reduced scale; FIG. 3 is a side elevation view thereof; the other side elevation views are identical thereto; FIG. 4 is a bottom plan view thereof; FIG. 5 is a top perspective view of the second embodiment of a lampsocket base, showing our new design; and, FIG. 6 is a top plan view thereof, on a reduced scale. The broken line showing of the environment is for illustrative purposes only and forms no part of the claimed design.

**1 Claim, 5 Drawing Sheets**



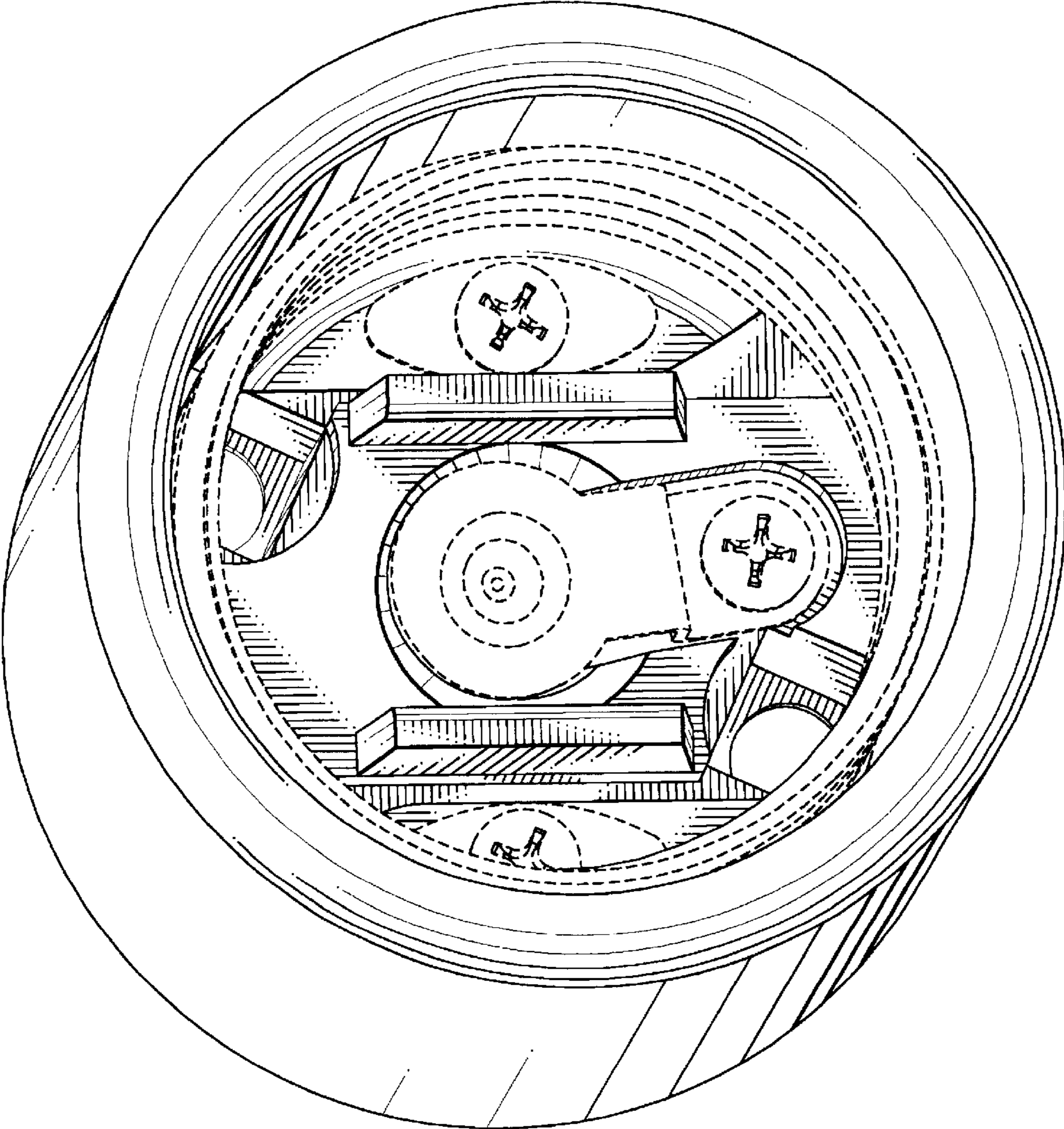


FIG. 1

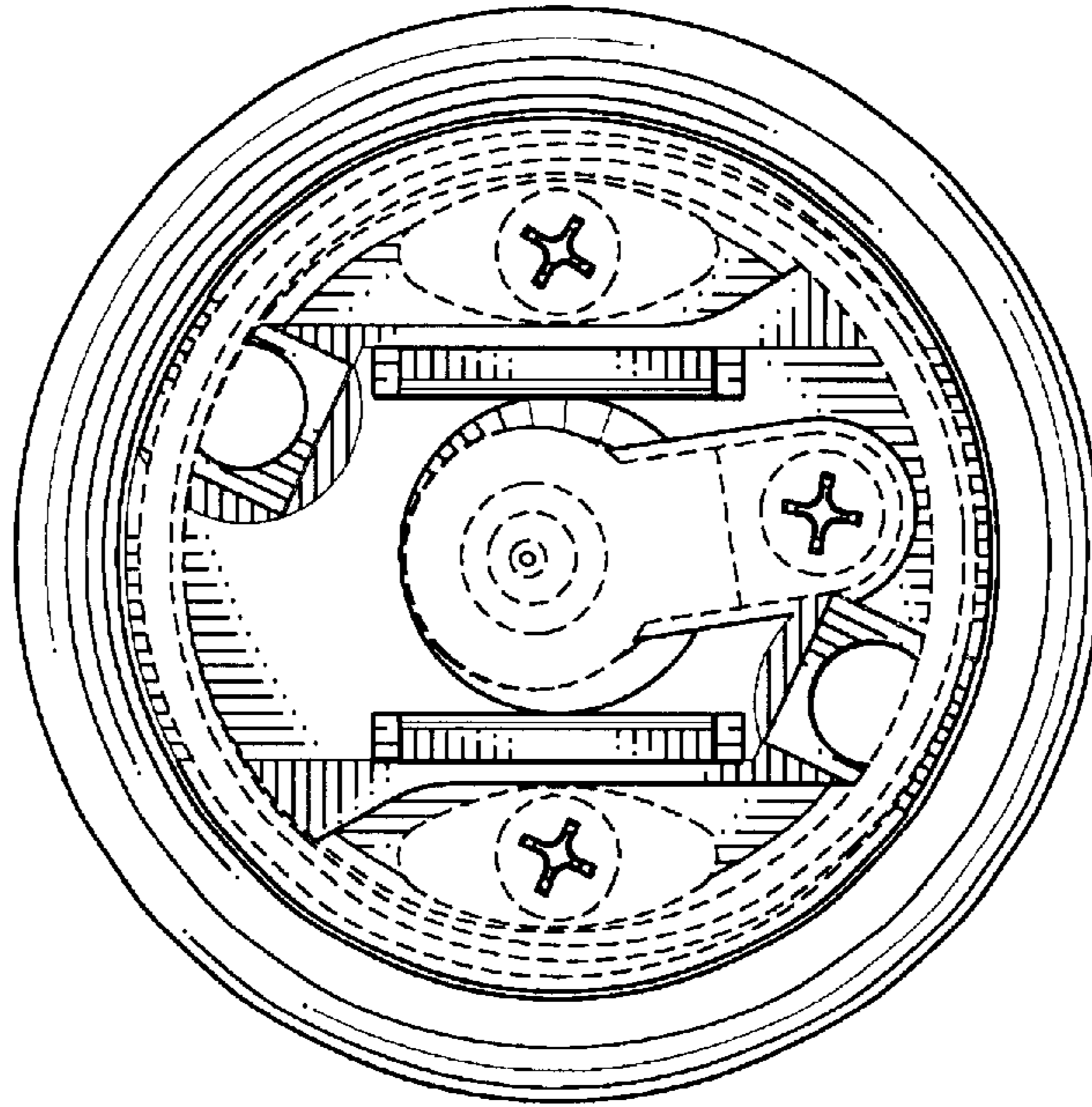


FIG. 2

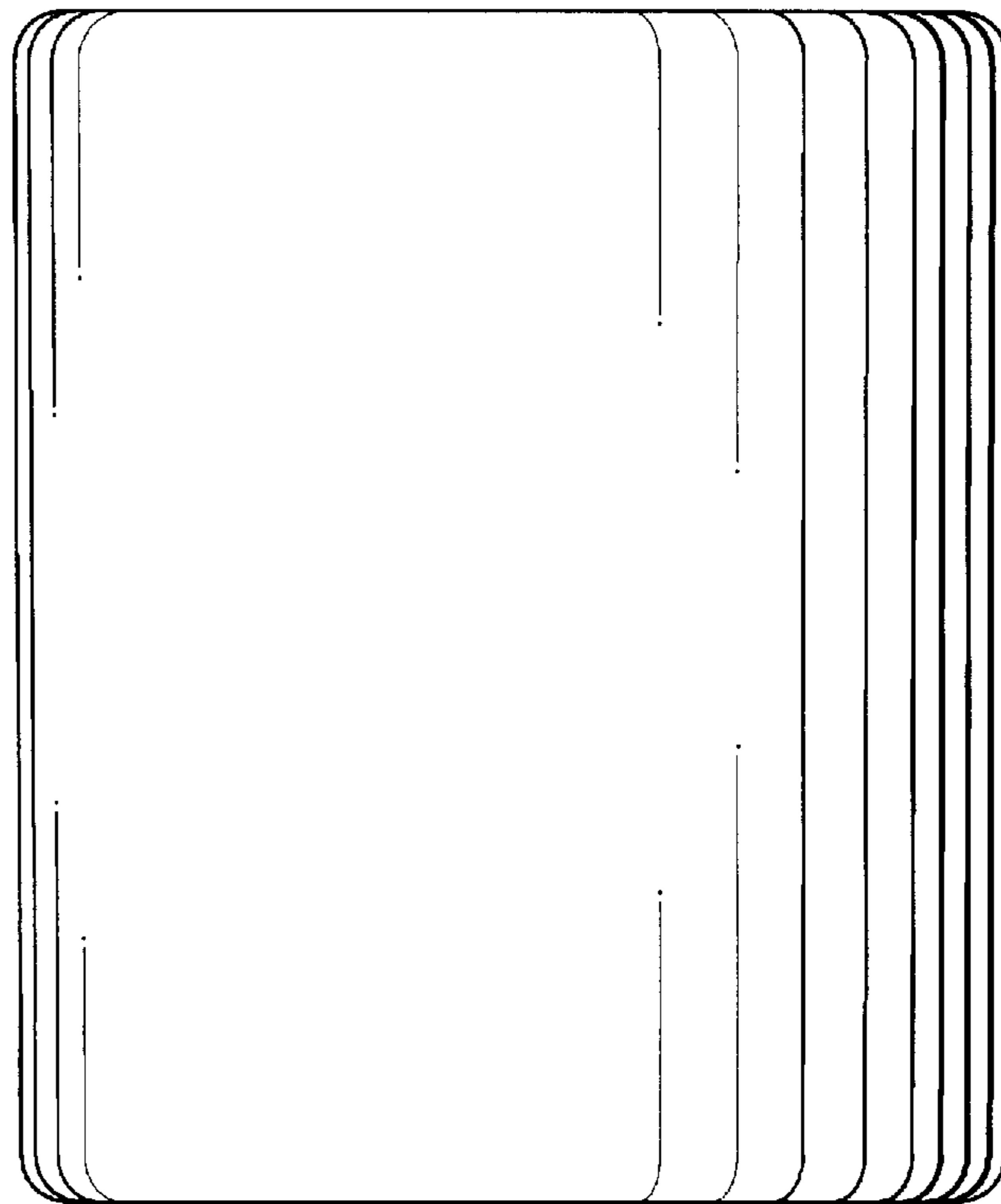


FIG. 3



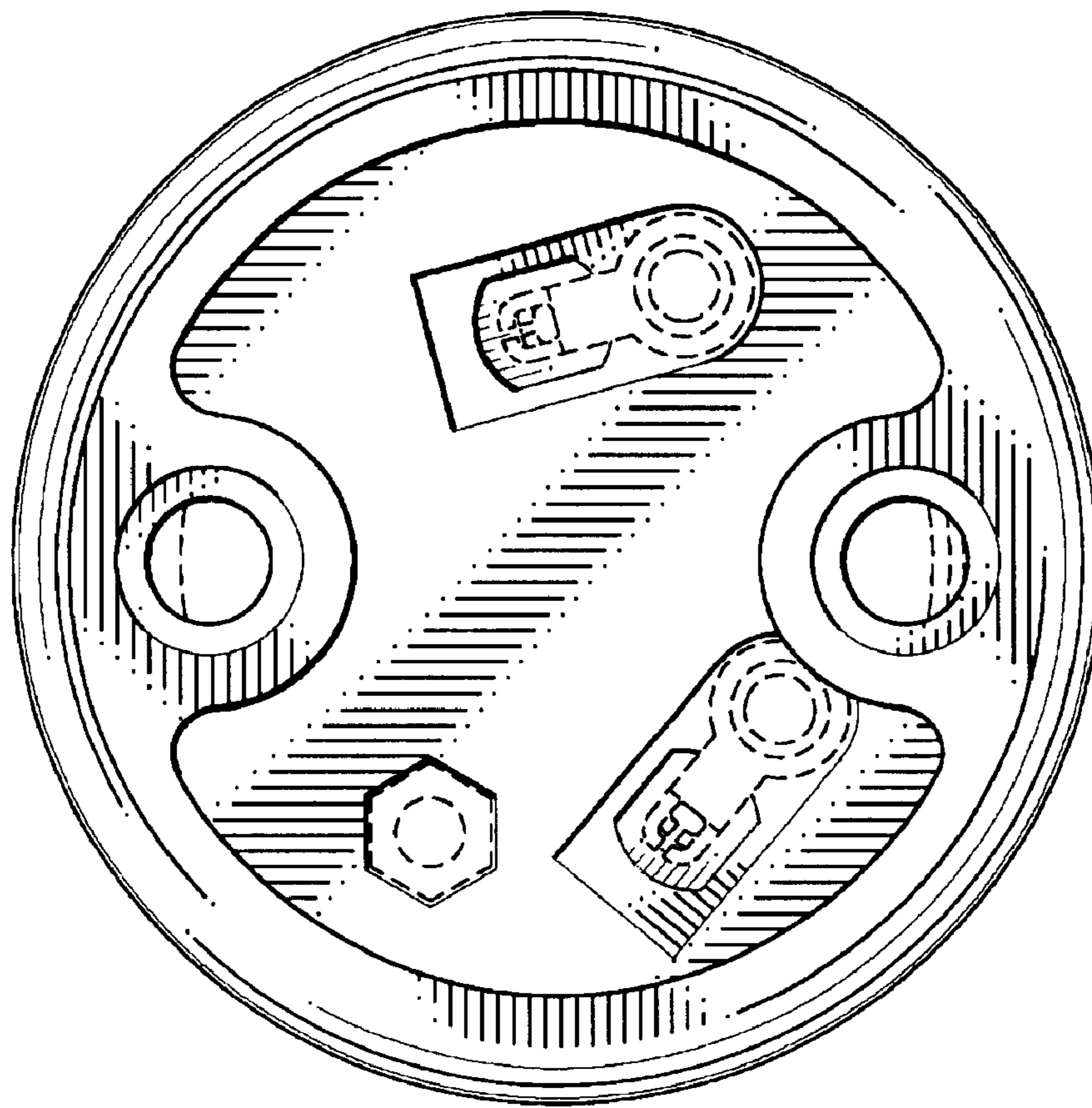


FIG. 4

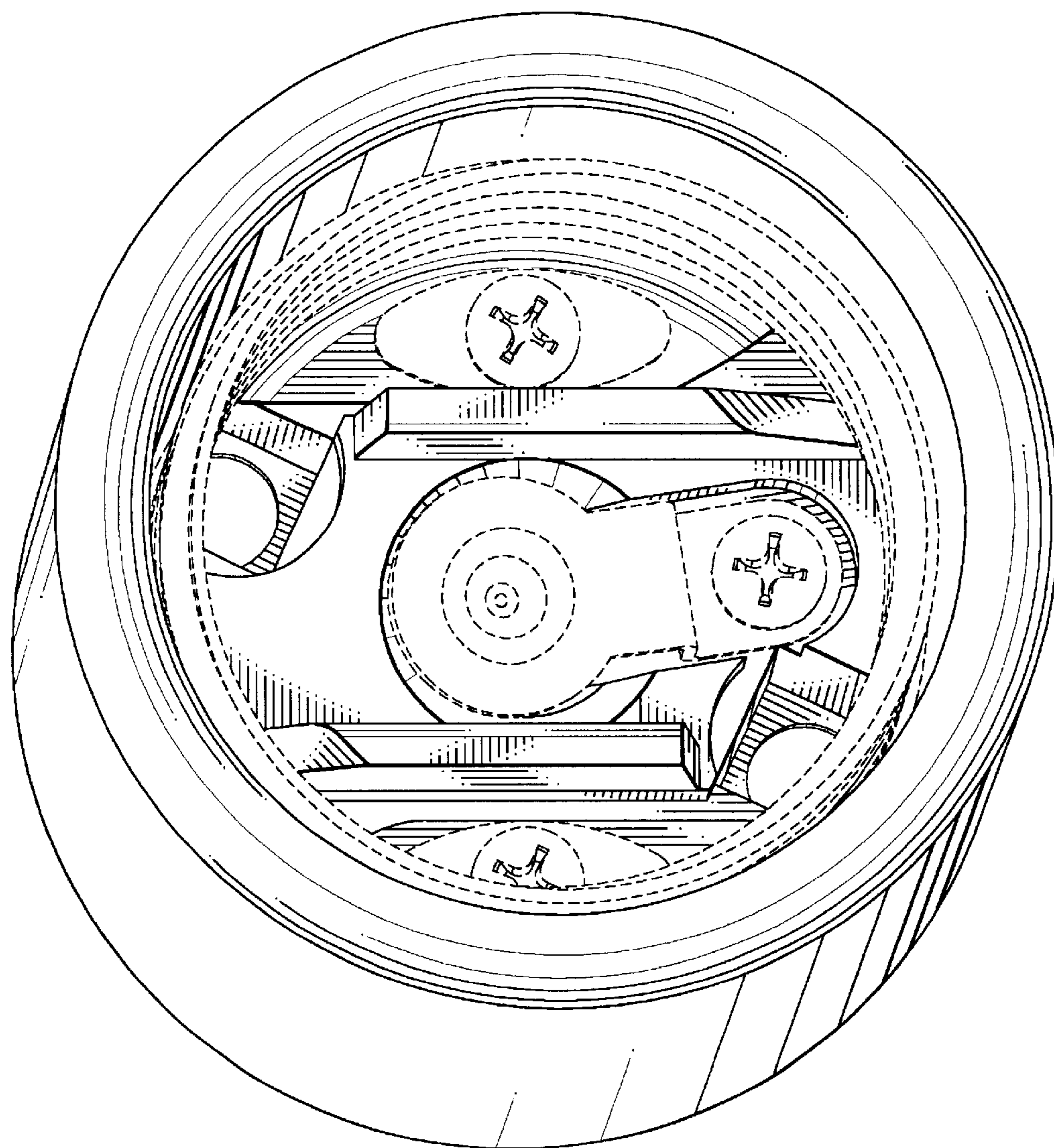


FIG. 5

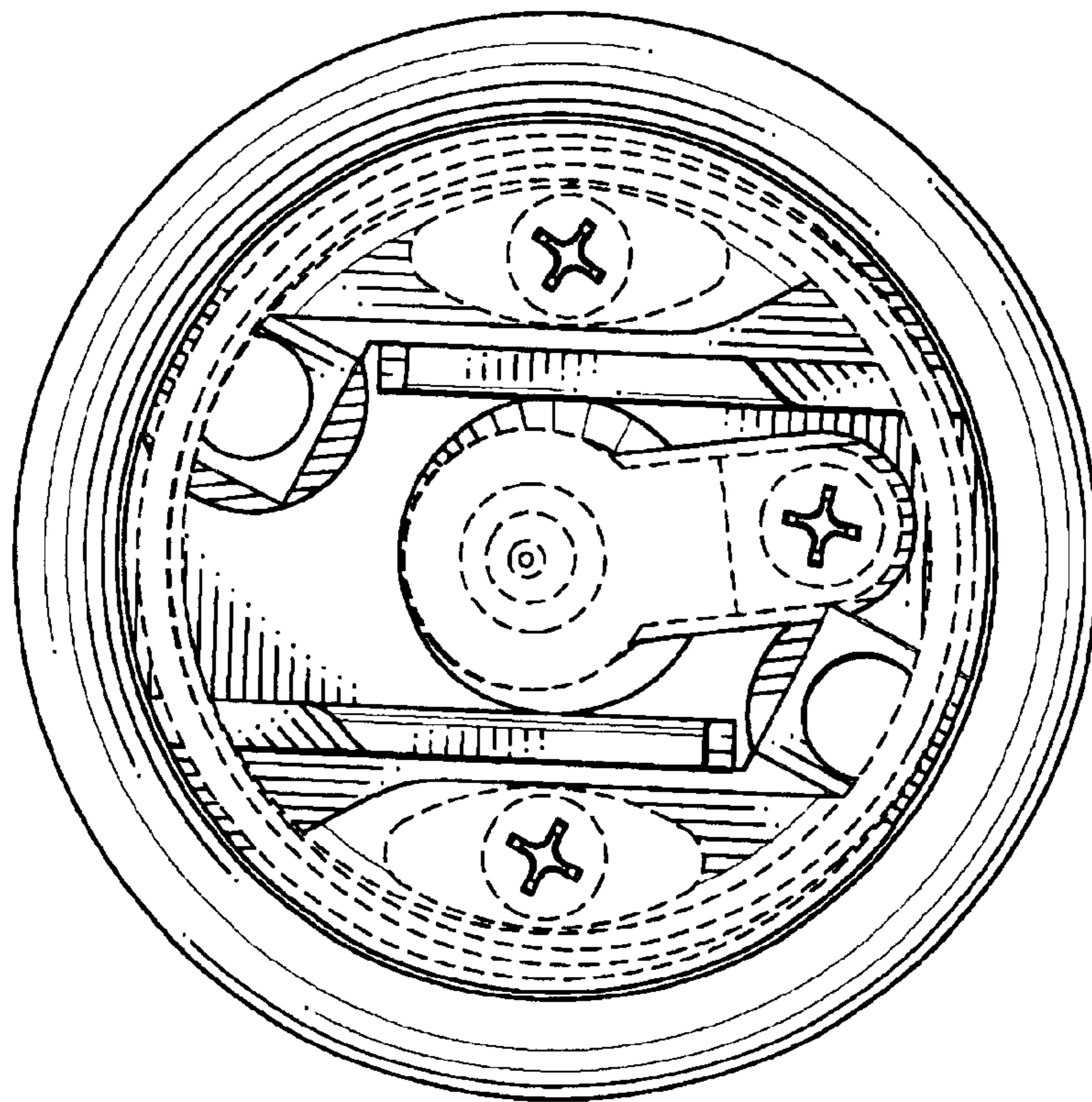


FIG. 6