

US00D542734S

(12) **United States Design Patent**
Thorsteinsson et al.

(10) **Patent No.:** **US D542,734 S**
(45) **Date of Patent:** **** May 15, 2007**

(54) **ELECTRICAL TRANSFORMERS**

(75) Inventors: **Sigurdur Thorsteinsson**, Milan (IT);
Egil Stryken, Solbergelva (NO);
Richard Tinggren, Thalwil (CH)

(73) Assignee: **ABB Technology AG** (CH)

(**) Term: **14 Years**

(21) Appl. No.: **29/204,775**

(22) Filed: **May 5, 2004**

(30) **Foreign Application Priority Data**

Nov. 12, 2003 (EM) 000102397

(51) **LOC (8) Cl.** **13-02**

(52) **U.S. Cl.** **D13/110**

(58) **Field of Classification Search** D13/110,
D13/4, 11, 101, 199; 174/52 R; 220/4.02;
336/92, 94, 98, 107; 363/153, 171

See application file for complete search history.

(56) **References Cited**

U.S. PATENT DOCUMENTS

D188,248 S	*	6/1960	Albright et al.	D13/110
D188,249 S	*	6/1960	Albright et al.	D13/110
2,947,957 A	*	8/1960	Spindler	336/61
D202,045 S	*	8/1965	Oberlin	D13/110
3,479,563 A	*	11/1969	Roy	361/41
4,027,279 A	*	5/1977	Shigehara	336/90
D257,342 S	*	10/1980	Payne	D13/110
D259,040 S	*	4/1981	Pierce	D13/110
D290,456 S	*	6/1987	Burgher et al.	D13/110
6,185,811 B1	*	2/2001	Perry	29/606

OTHER PUBLICATIONS

ABB Inc., Power Transformers, 2003, 11 pgs.

ASA Trafobau GmbH, 24 pgs., date unknown.

Koncar—Distributivni I Specijalni Transformatori d.d., Power Transformers, (3,2) V 01, 8 pgs., date unknown.

SGB Starkstrom and SMIT Transformers, Partners in Power, 6 pgs., date unknown.

MF Transformer srl, Oil Filled Transformer, 14 pgs., date unknown.

* cited by examiner

Primary Examiner—Prabhakar Deshmukh

Assistant Examiner—Derrick Holland

(74) *Attorney, Agent, or Firm*—Connolly Bove Lodge & Hutz, LLP; Larry J. Hume

(57) **CLAIM**

The ornamental design for “electrical transformers,” as shown and described.

DESCRIPTION

FIG. 1 is a front view of a first embodiment of an electrical transformer;

FIG. 2 is a top view of said first embodiment of an electrical transformer;

FIG. 3 is a side view of said first embodiment of an electrical transformer;

FIG. 4 is a rear perspective view of said first embodiment of an electrical transformer;

FIG. 5 is a front perspective view of said first embodiment of an electrical transformer;

FIG. 6 is a front view of a second embodiment of an electrical transformer;

FIG. 7 is a top view of said second embodiment of an electrical transformer;

FIG. 8 is a side view of said second embodiment of an electrical transformer;

FIG. 9 is a rear perspective view of said second embodiment of an electrical transformer;

FIG. 10 is a front perspective view of said second embodiment of an electrical transformer;

FIG. 11 is a front view of a third embodiment of an electrical transformer;

FIG. 12 is a top view of said third embodiment of an electrical transformer;

FIG. 13 is a side view of said third embodiment of an electrical transformer;

FIG. 14 is a rear perspective view of said third embodiment of an electrical transformer;

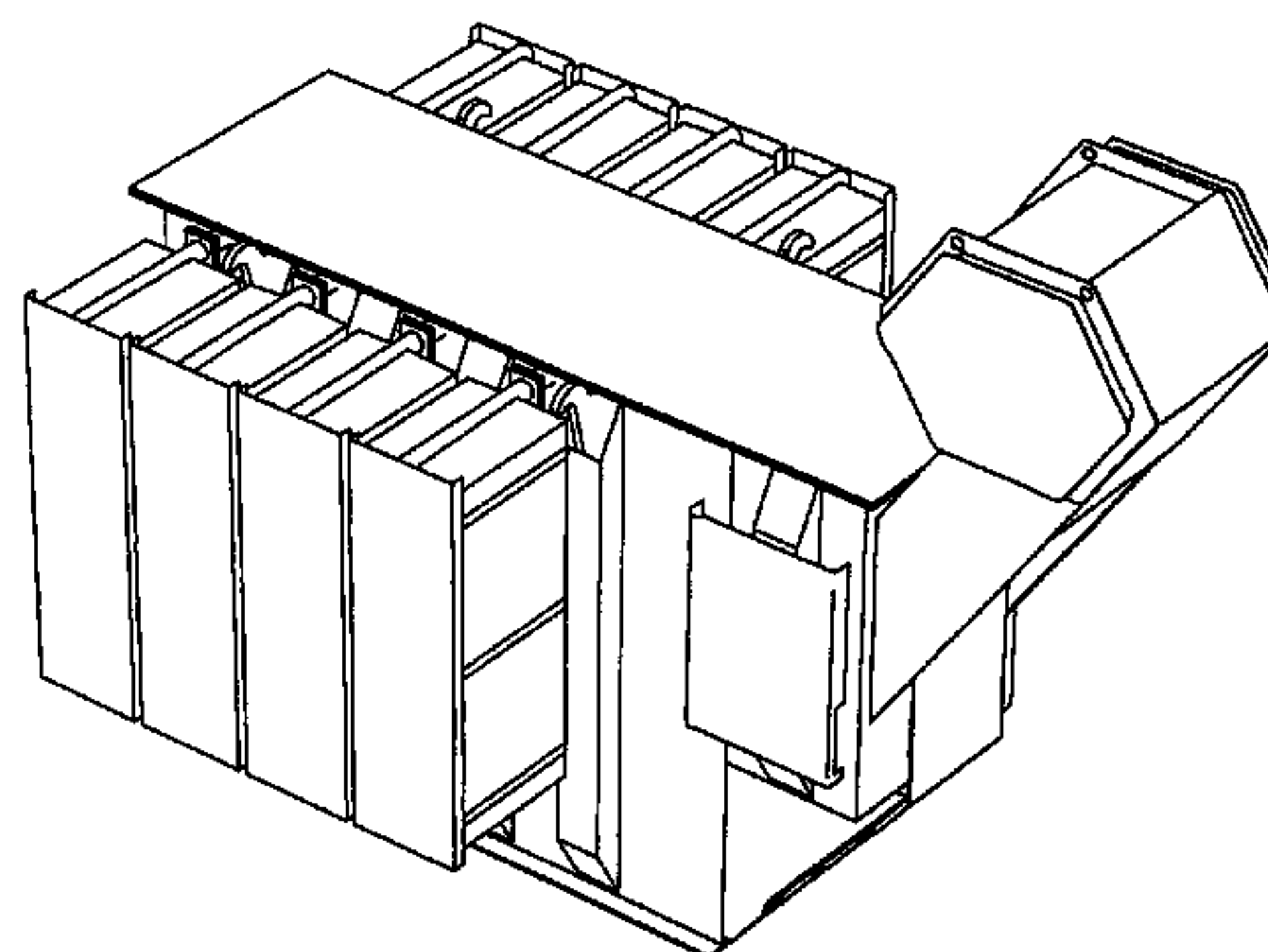
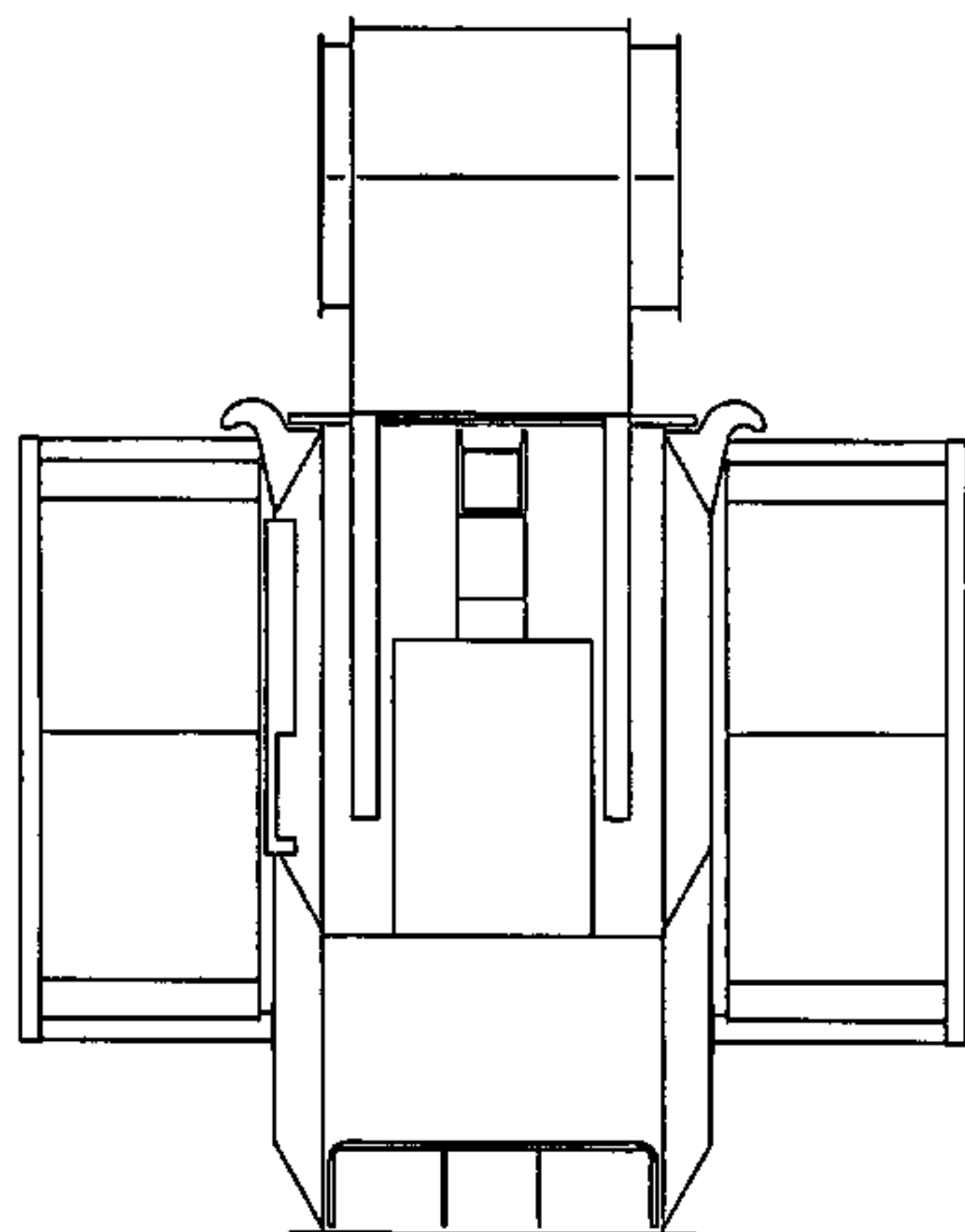


FIG. 15 is a front perspective view of said third embodiment of an electrical transformer;

FIG. 16 is a front view of a fourth embodiment of an electrical transformer;

FIG. 17 is a top view of said fourth embodiment of an electrical transformer;

FIG. 18 is a side view of said fourth embodiment of an electrical transformer;

FIG. 19 is a rear perspective view of said fourth embodiment of an electrical transformer;

FIG. 20 is a front perspective view of said fourth embodiment of an electrical transformer;

FIG. 21 is a front view of a fifth embodiment of an electrical transformer;

FIG. 22 is a top view of said fifth embodiment of an electrical transformer;

FIG. 23 is a side view of said fifth embodiment of an electrical transformer;

FIG. 24 is a rear perspective view of said fifth embodiment of an electrical transformer;

FIG. 25 is a front perspective view of said fifth embodiment of an electrical transformer;

FIG. 26 is a front view of a sixth embodiment of an electrical transformer;

FIG. 27 is a top view of said sixth embodiment of an electrical transformer;

FIG. 28 is a side view of said sixth embodiment of an electrical transformer;

FIG. 29 is a rear perspective view of said sixth embodiment of an electrical transformer;

FIG. 30 is a front perspective view of said sixth embodiment of an electrical transformer;

FIG. 31 is a front view of a seventh embodiment of an electrical transformer;

FIG. 32 is a top view of said seventh embodiment of an electrical transformer;

FIG. 33 is a side view of said seventh embodiment of an electrical transformer;

FIG. 34 is a rear perspective view of said seventh embodiment of an electrical transformer; and,

FIG. 35 is a front perspective view of said seventh embodiment of an electrical transformer.

1 Claim, 28 Drawing Sheets

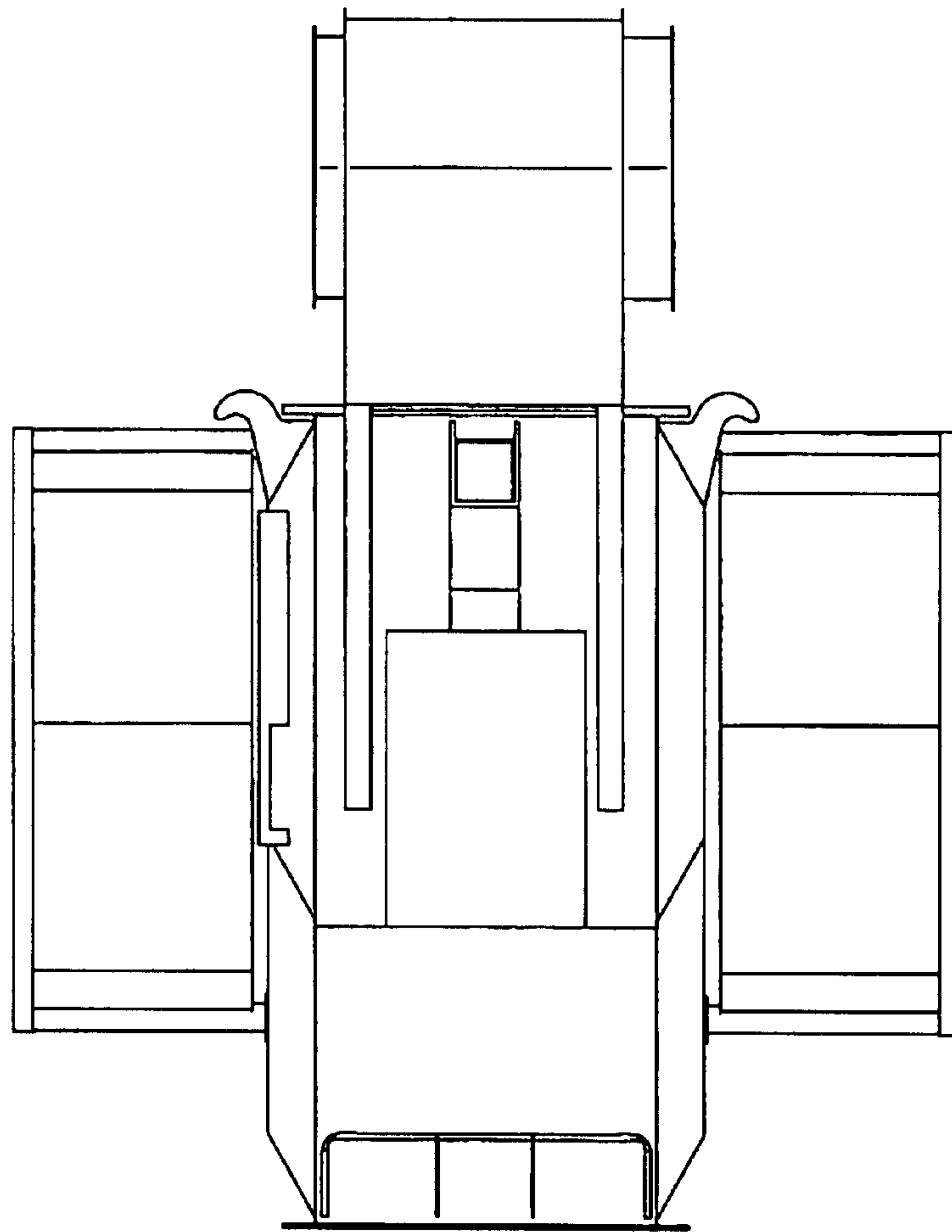


Fig. 1

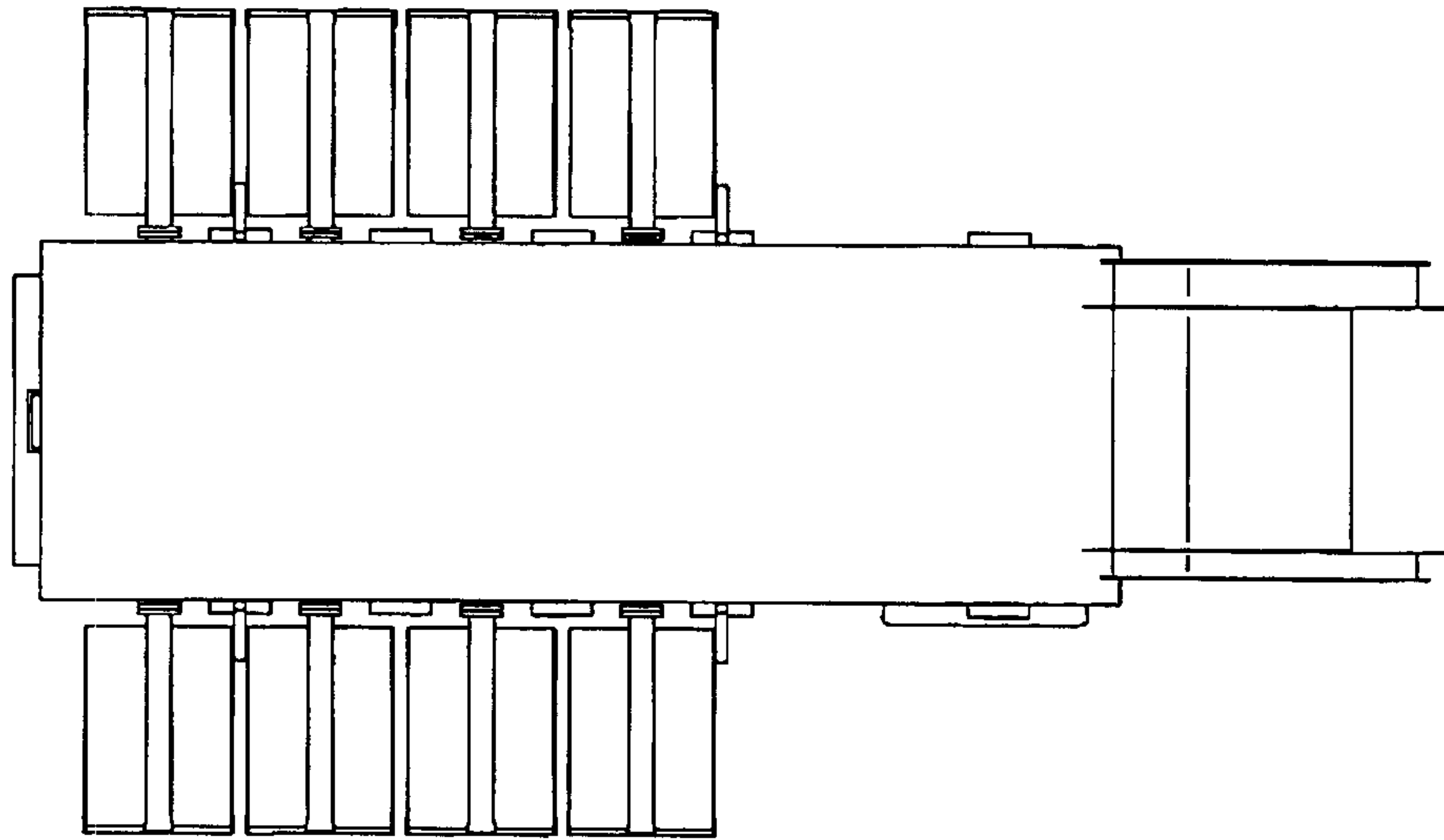


Fig. 2

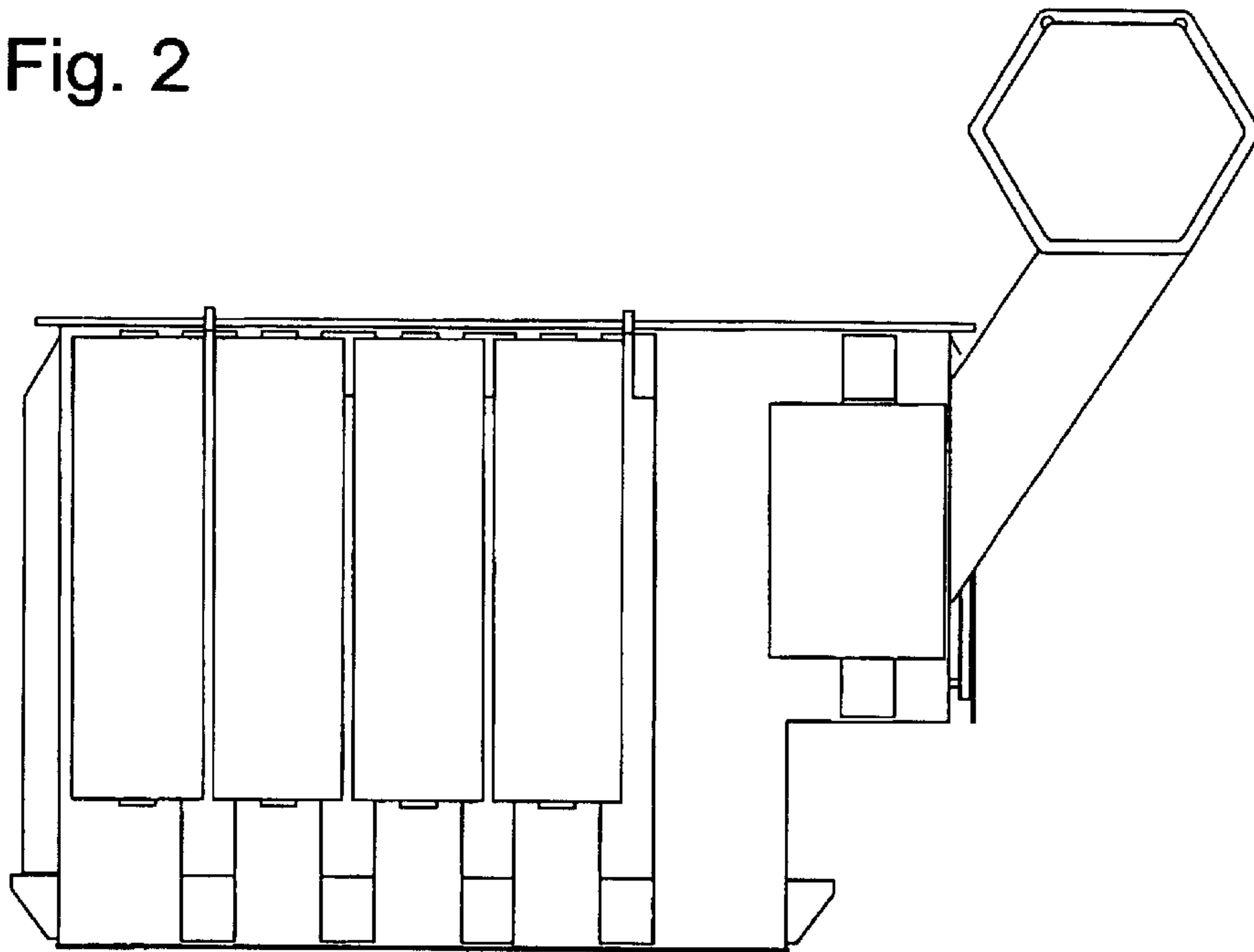


Fig. 3

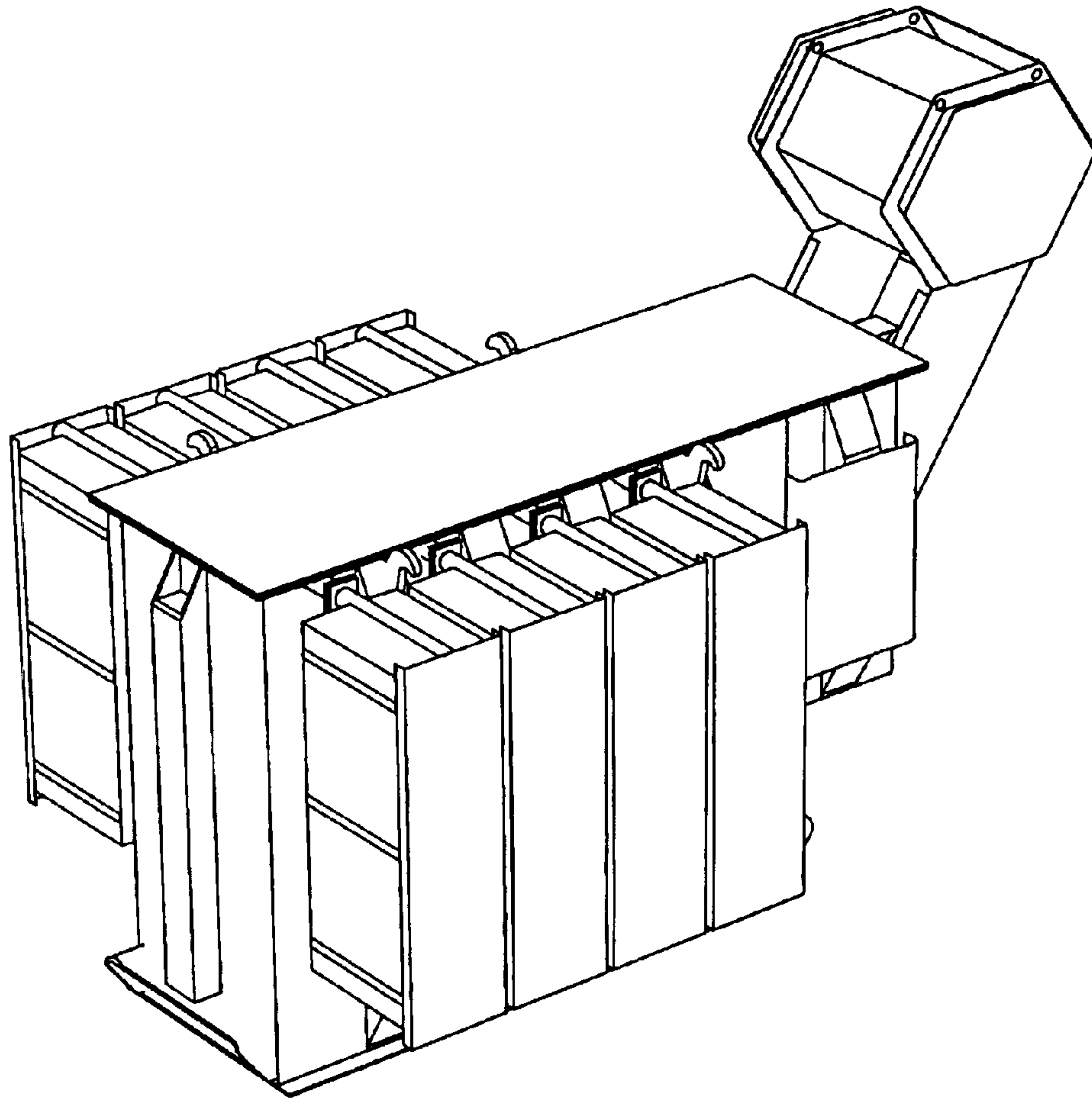


Fig. 4

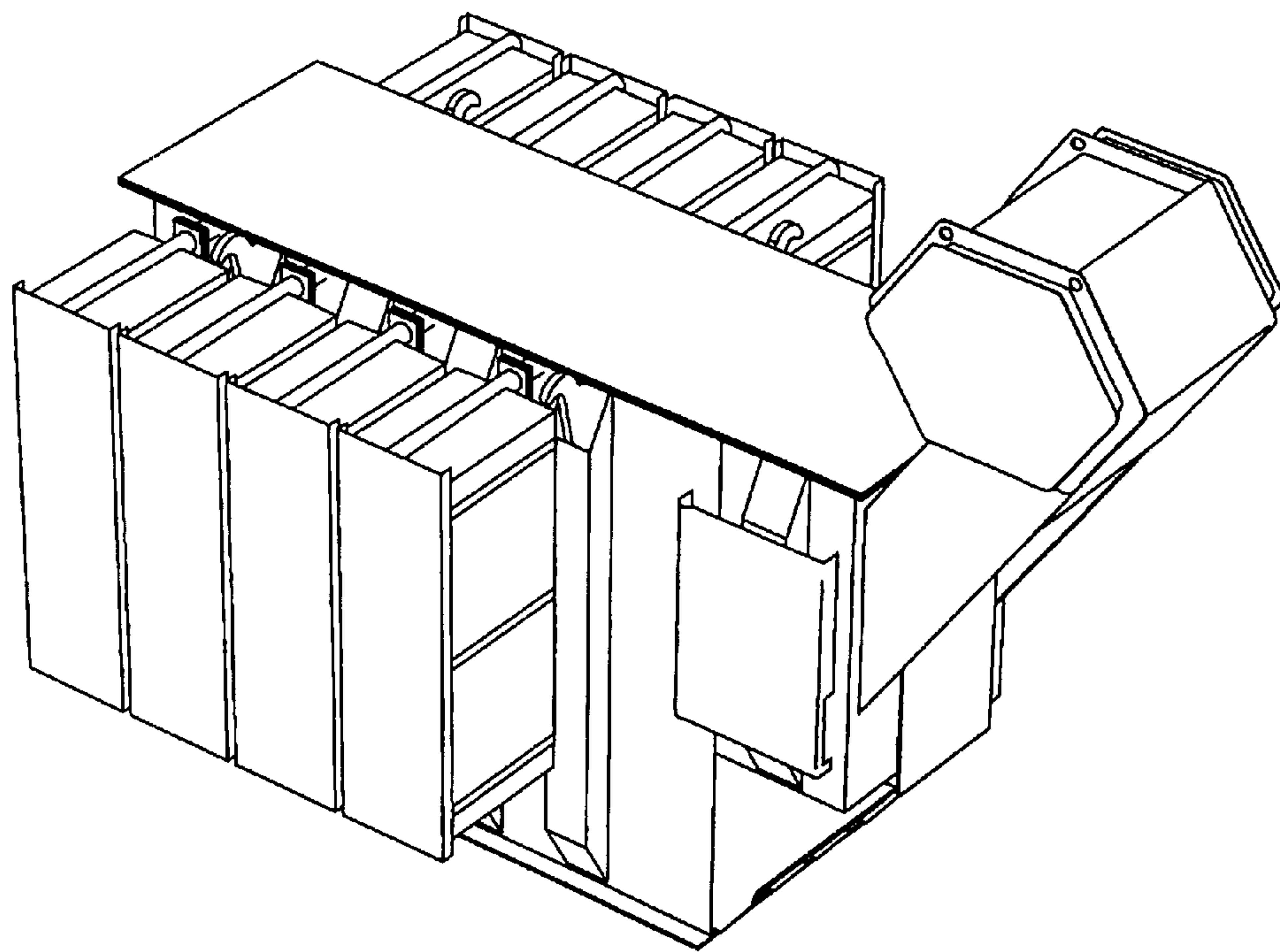


Fig. 5

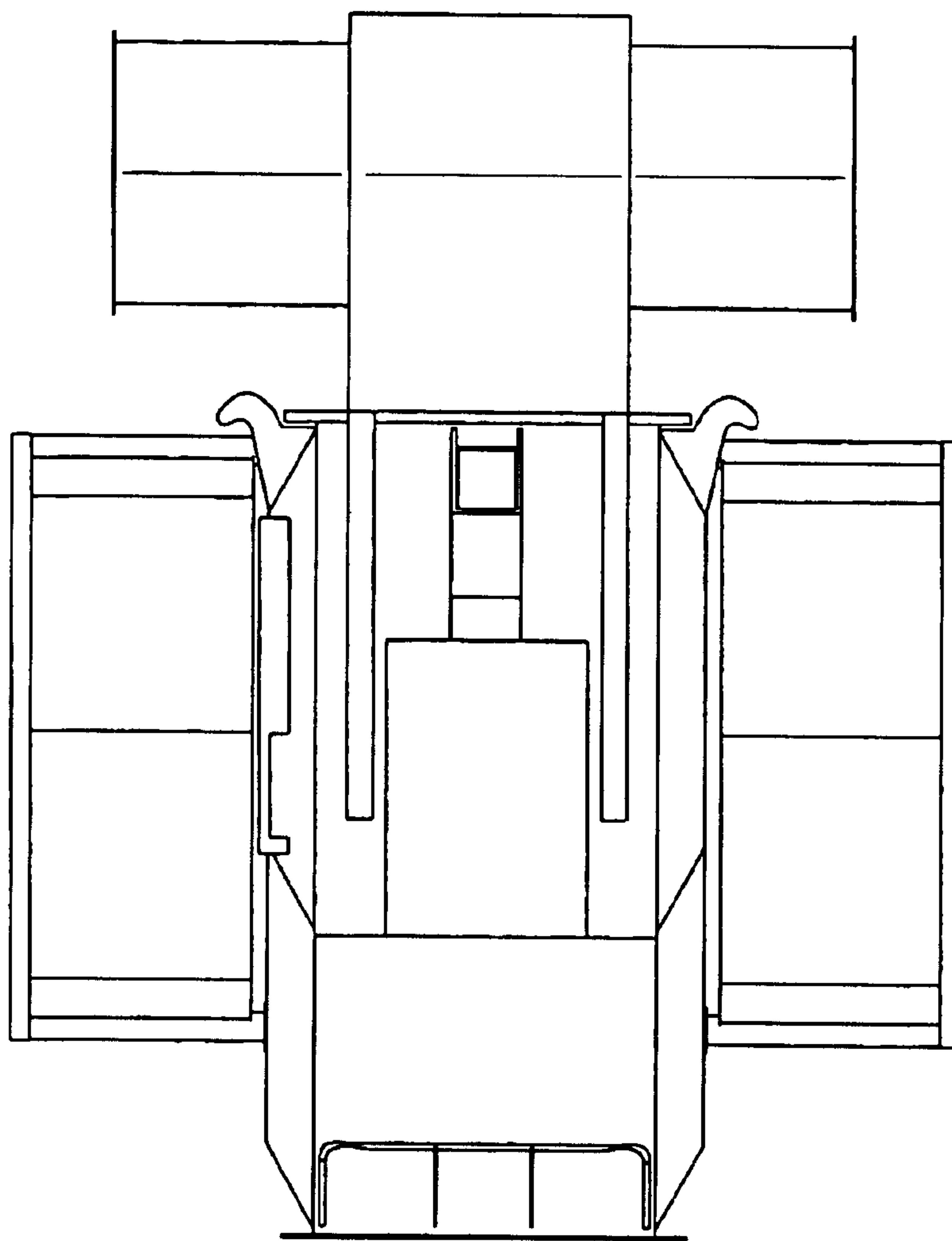


Fig. 6

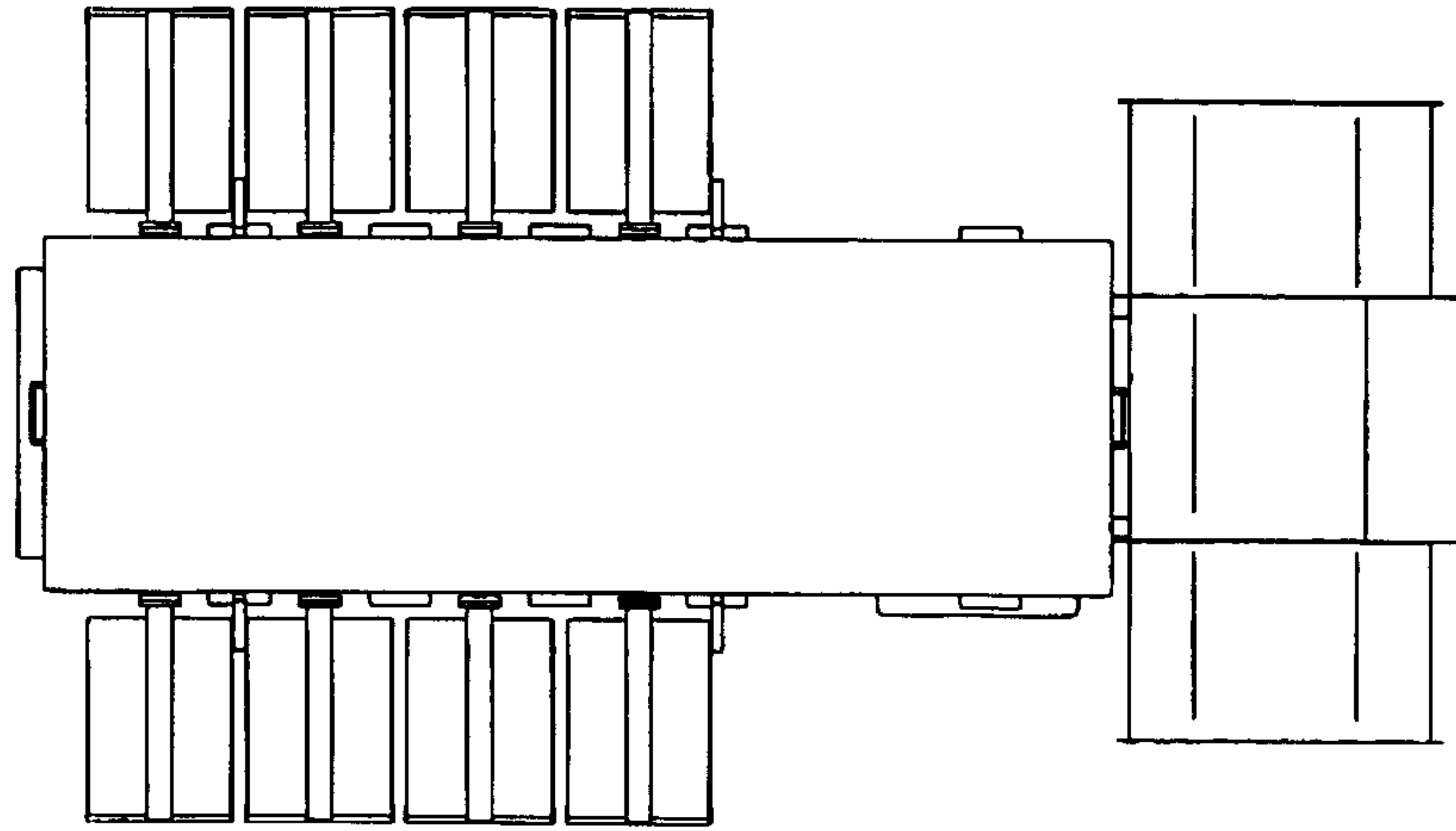


Fig. 7

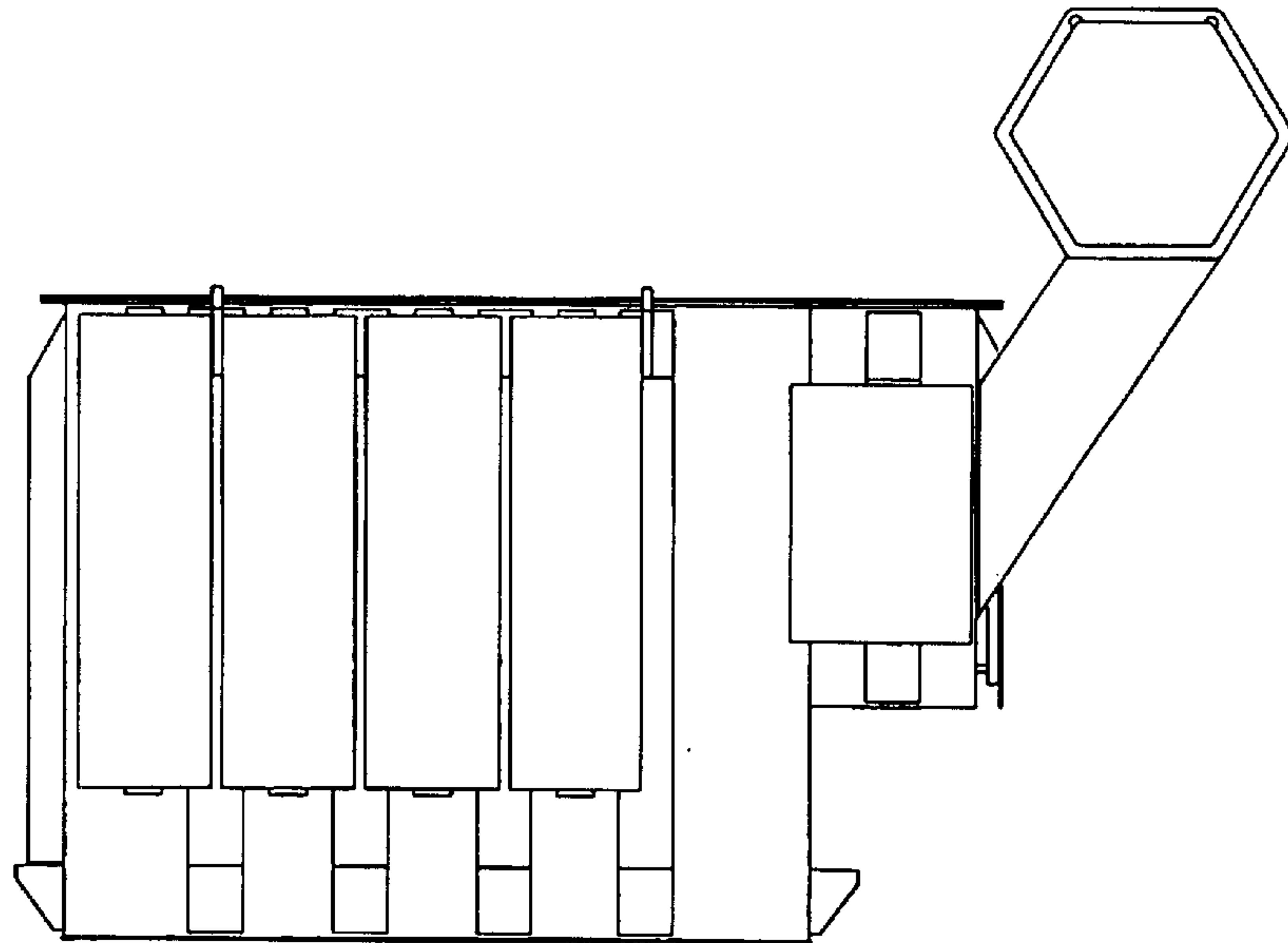


Fig. 8

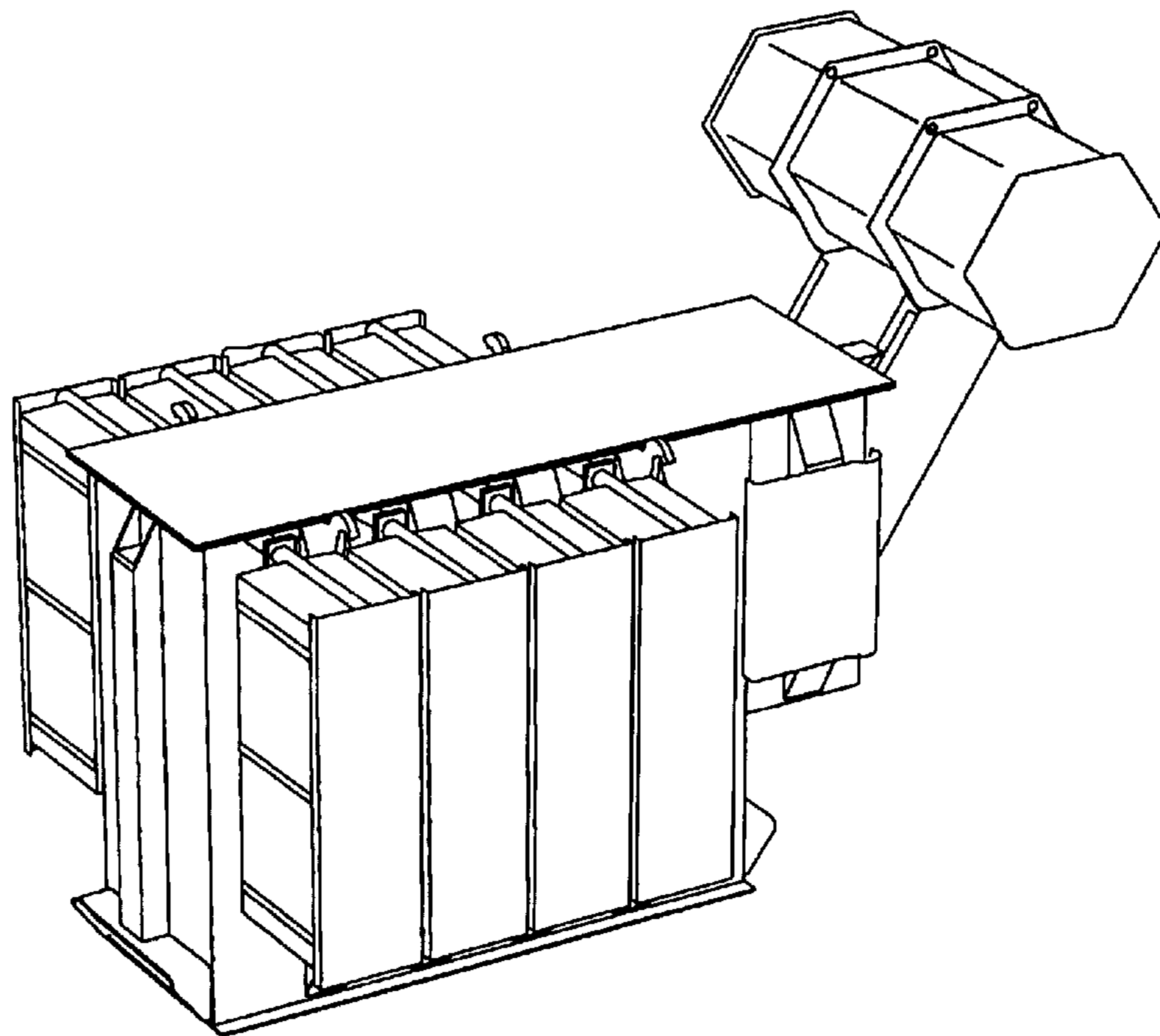


Fig. 9

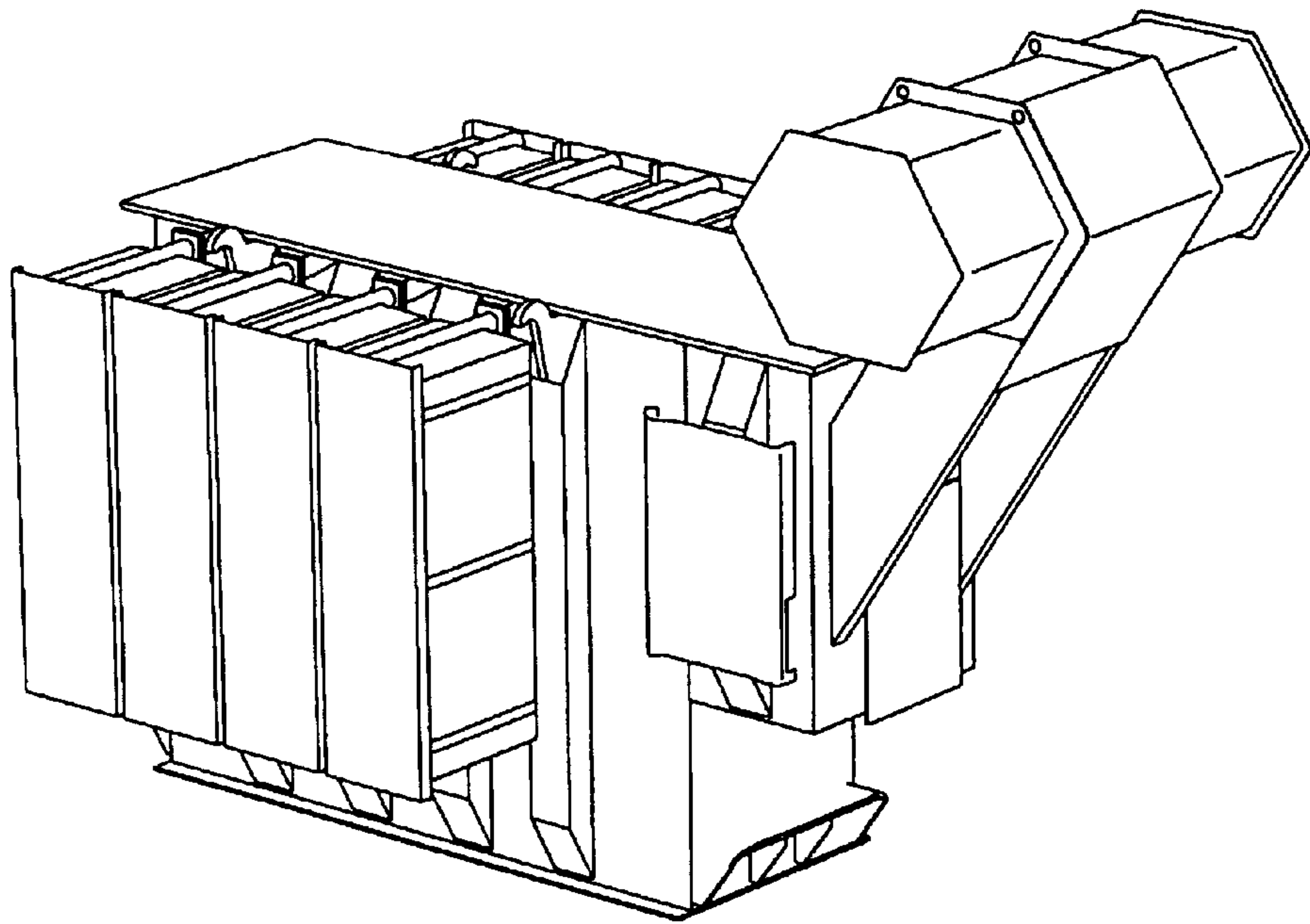


Fig. 10

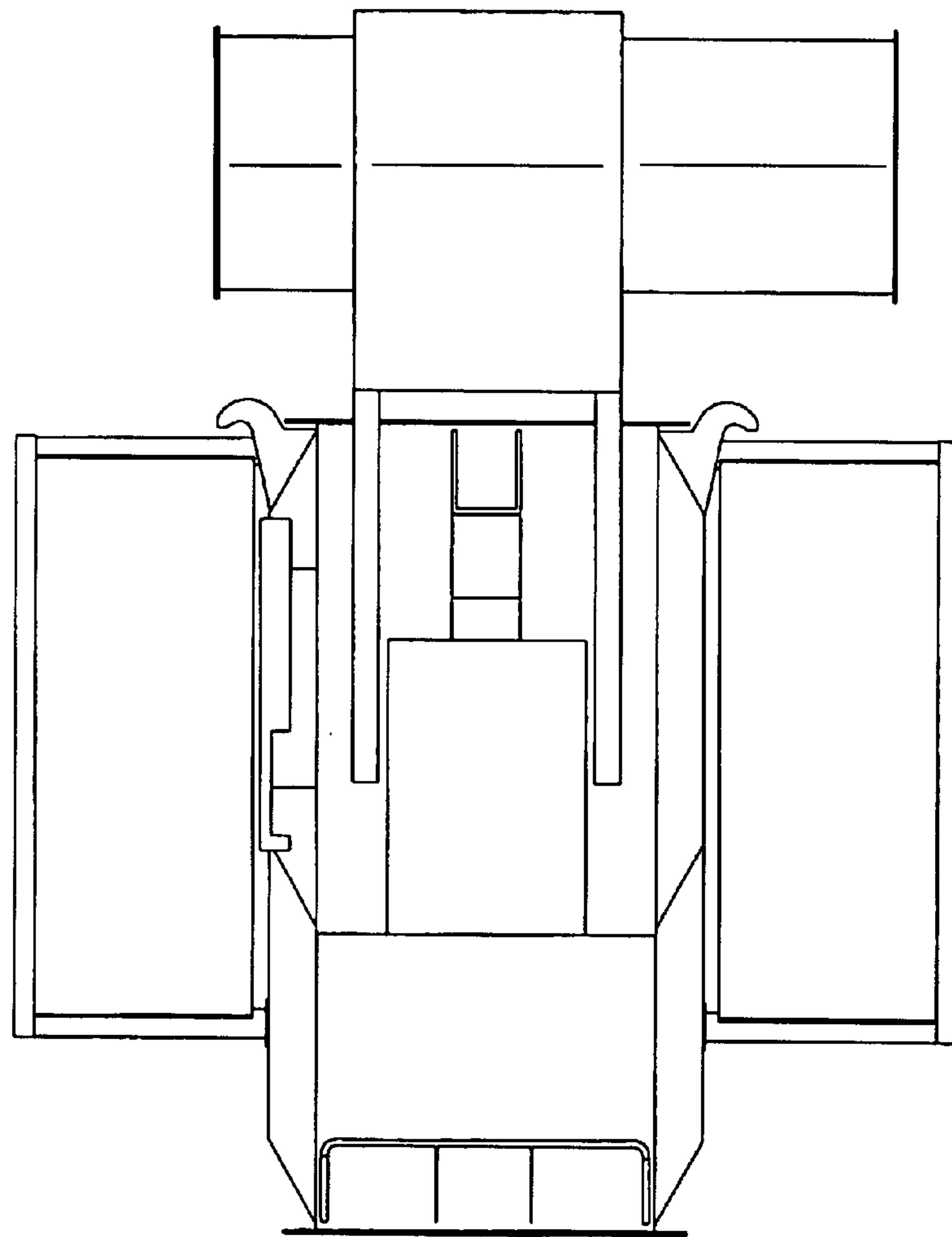


Fig. 11

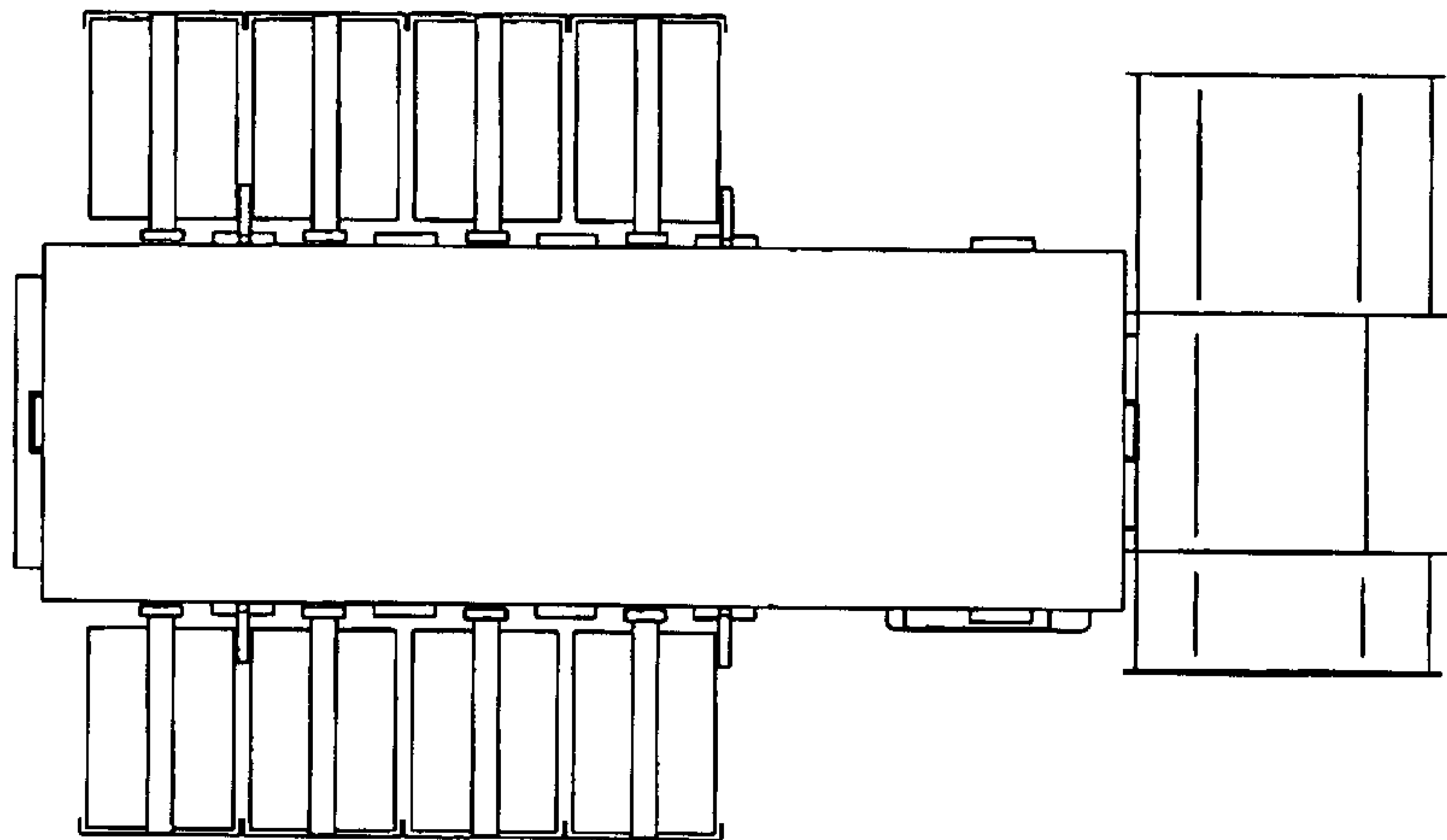


Fig. 12

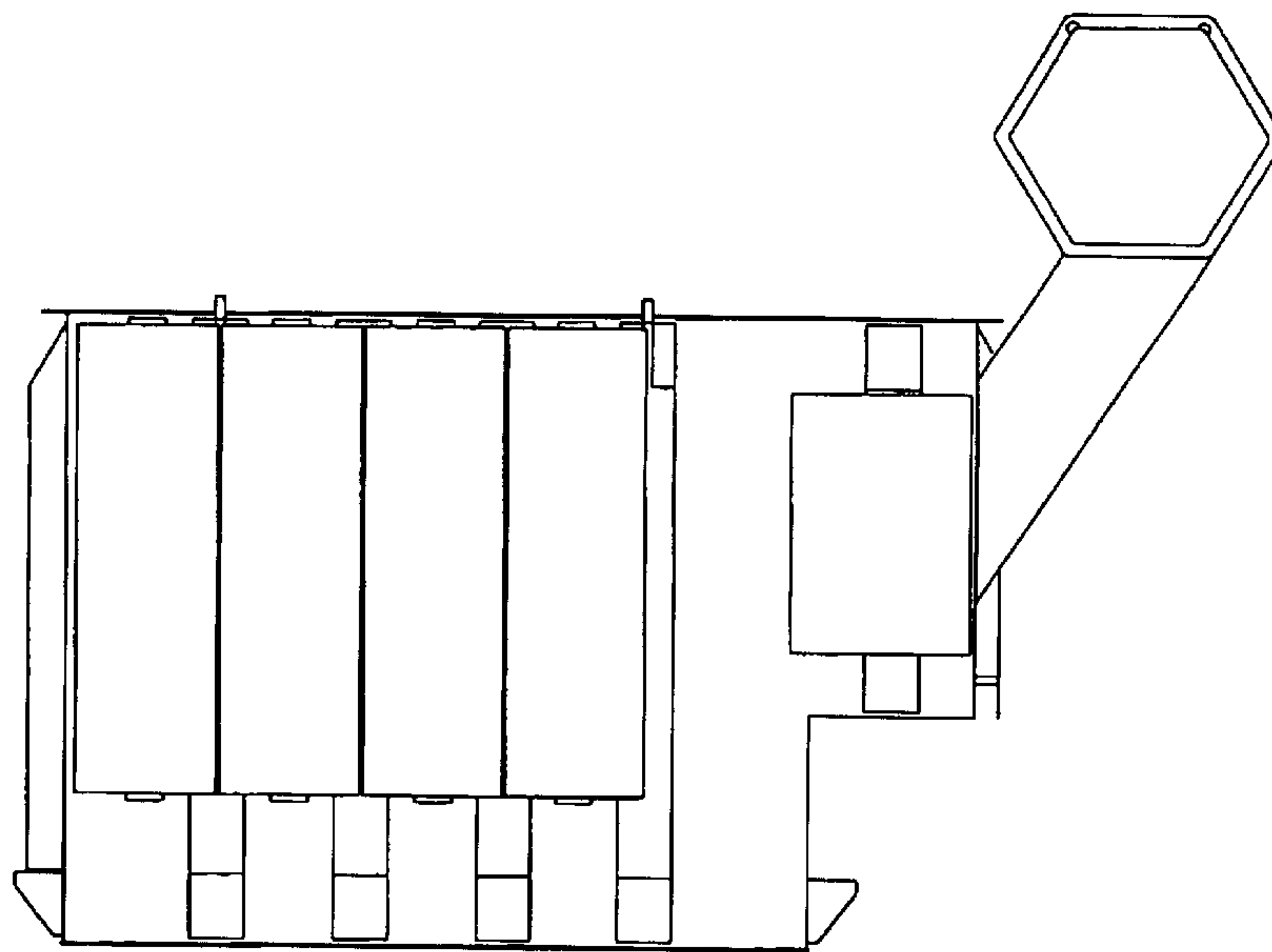


Fig. 13

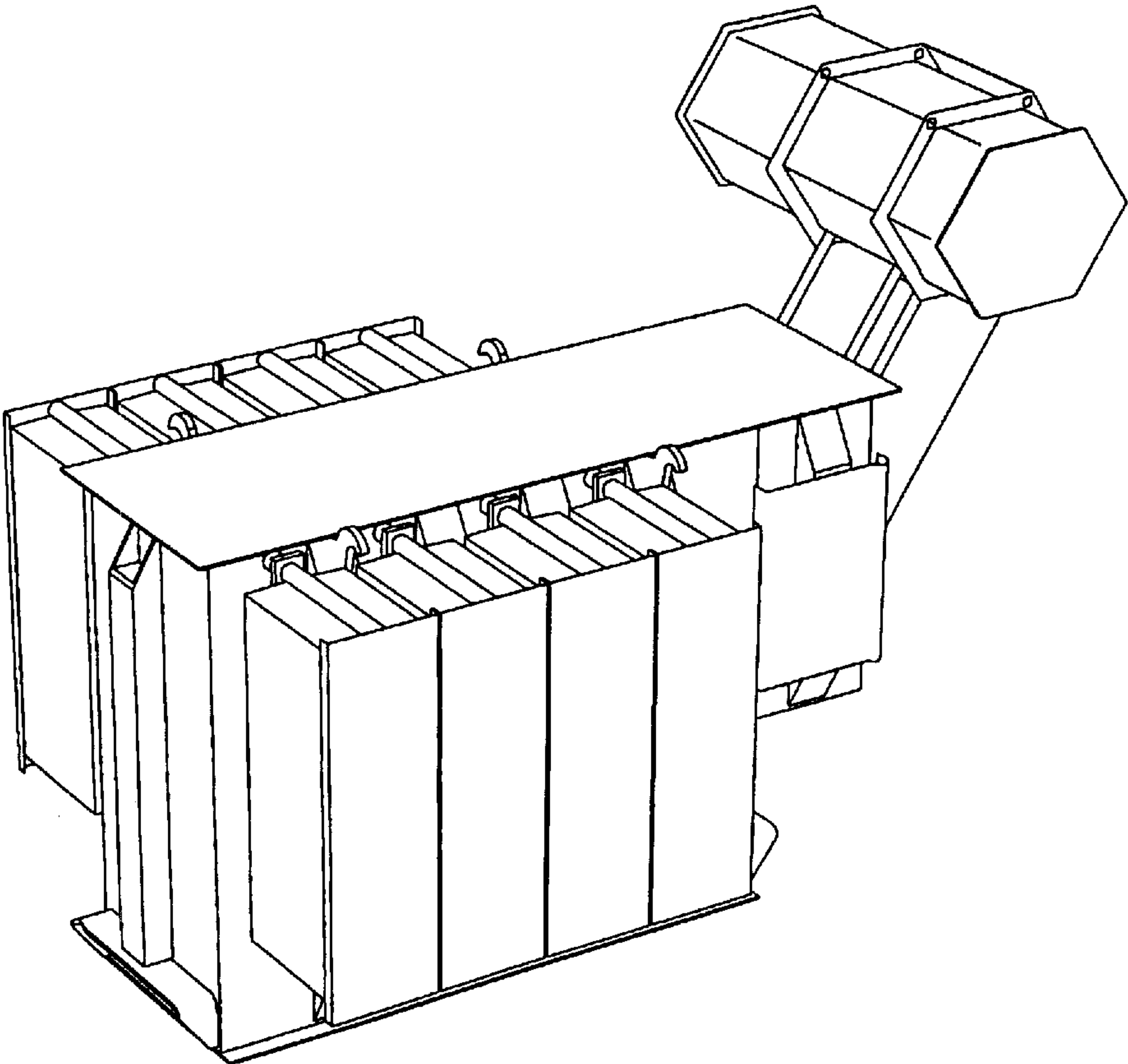


Fig. 14

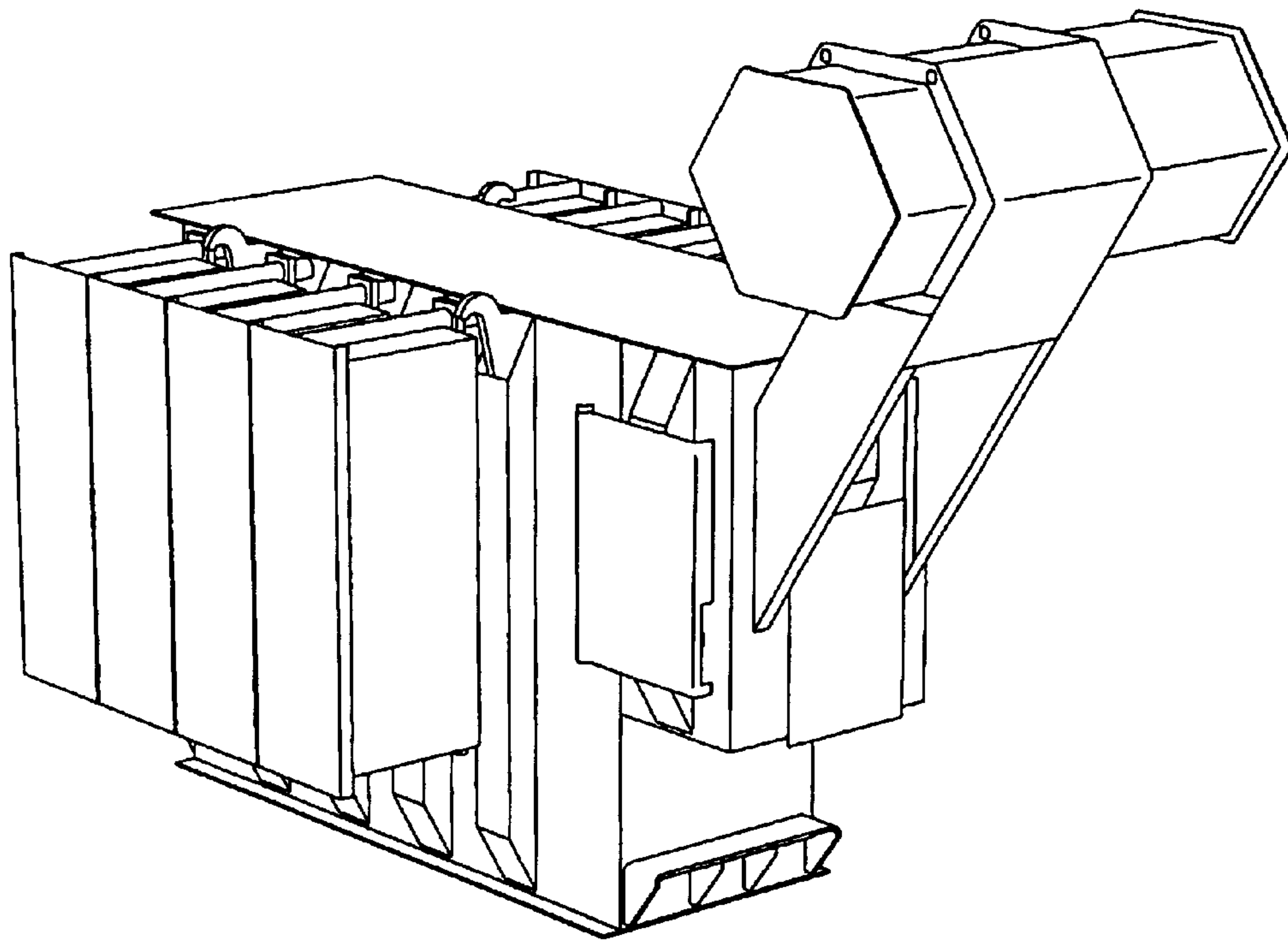


Fig. 15

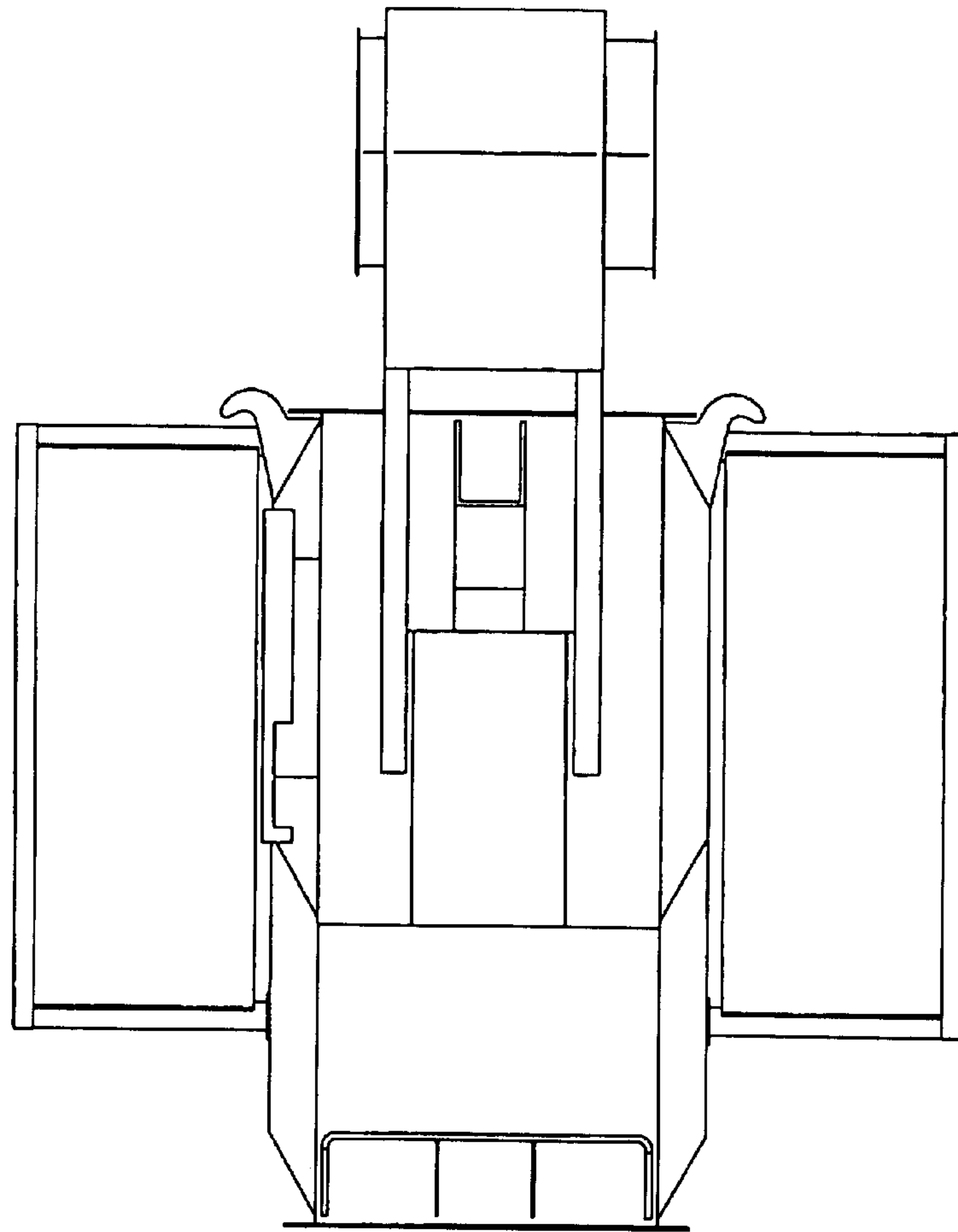


Fig. 16

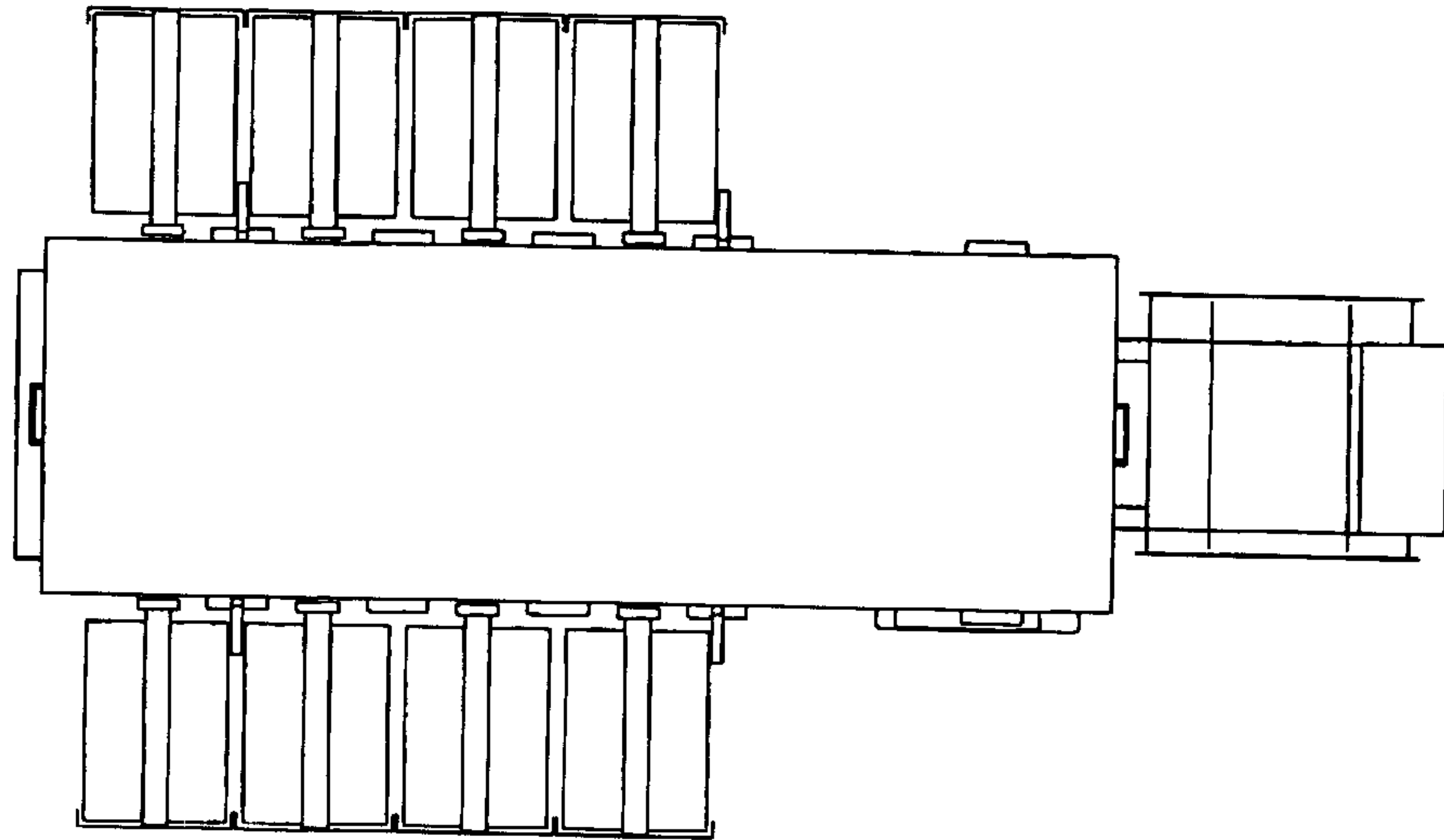


Fig. 17

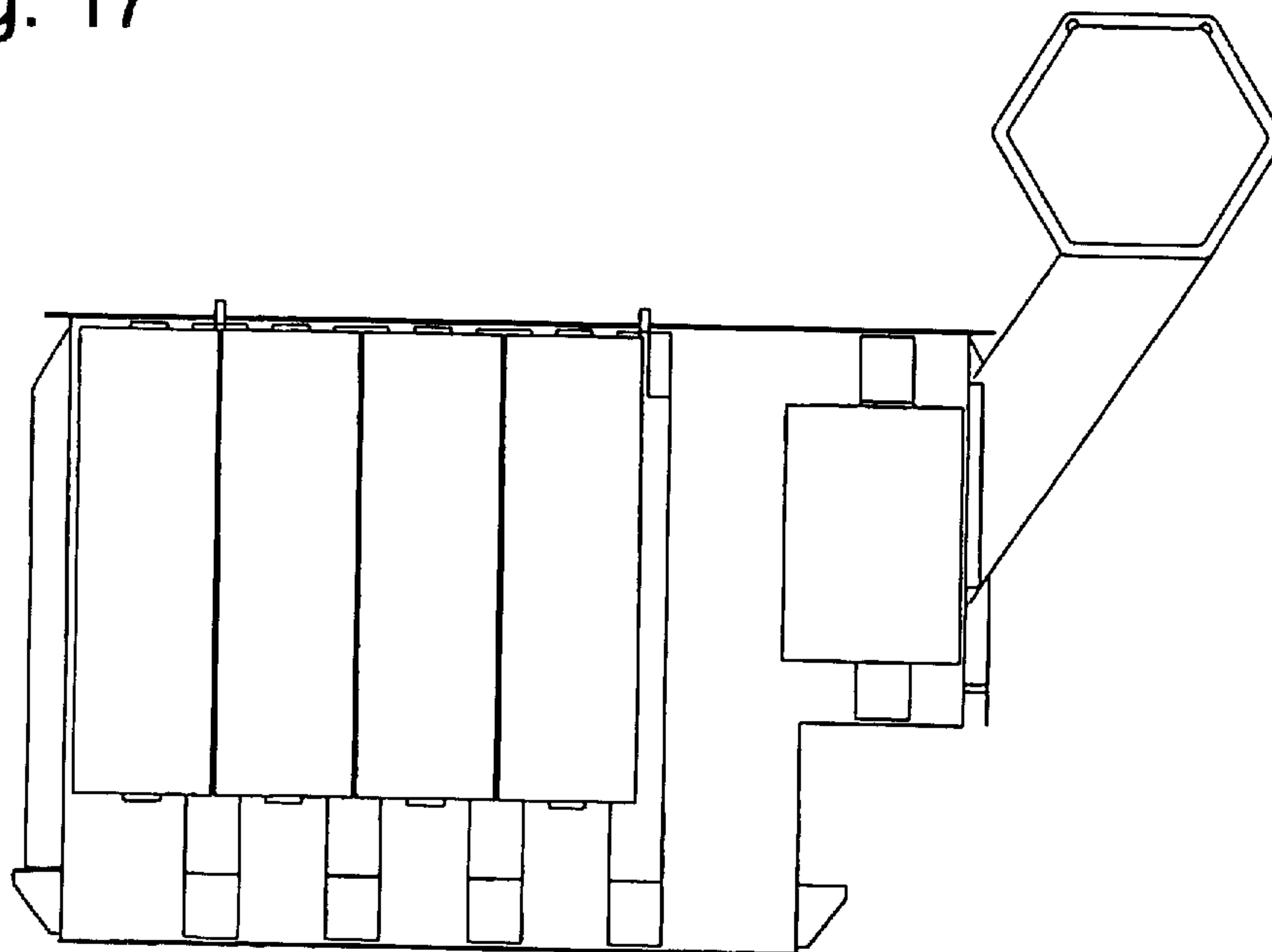


Fig. 18

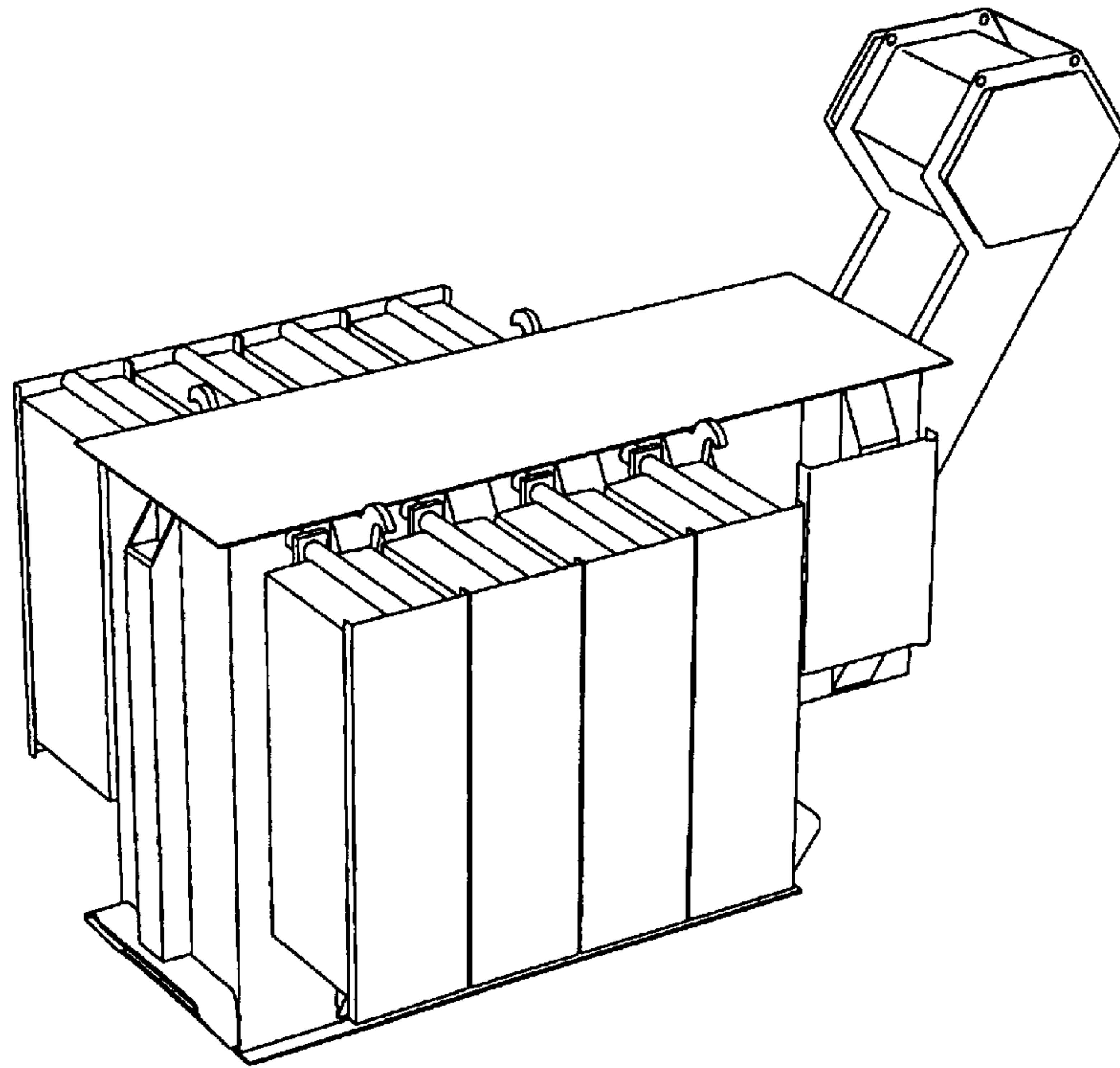


Fig. 19

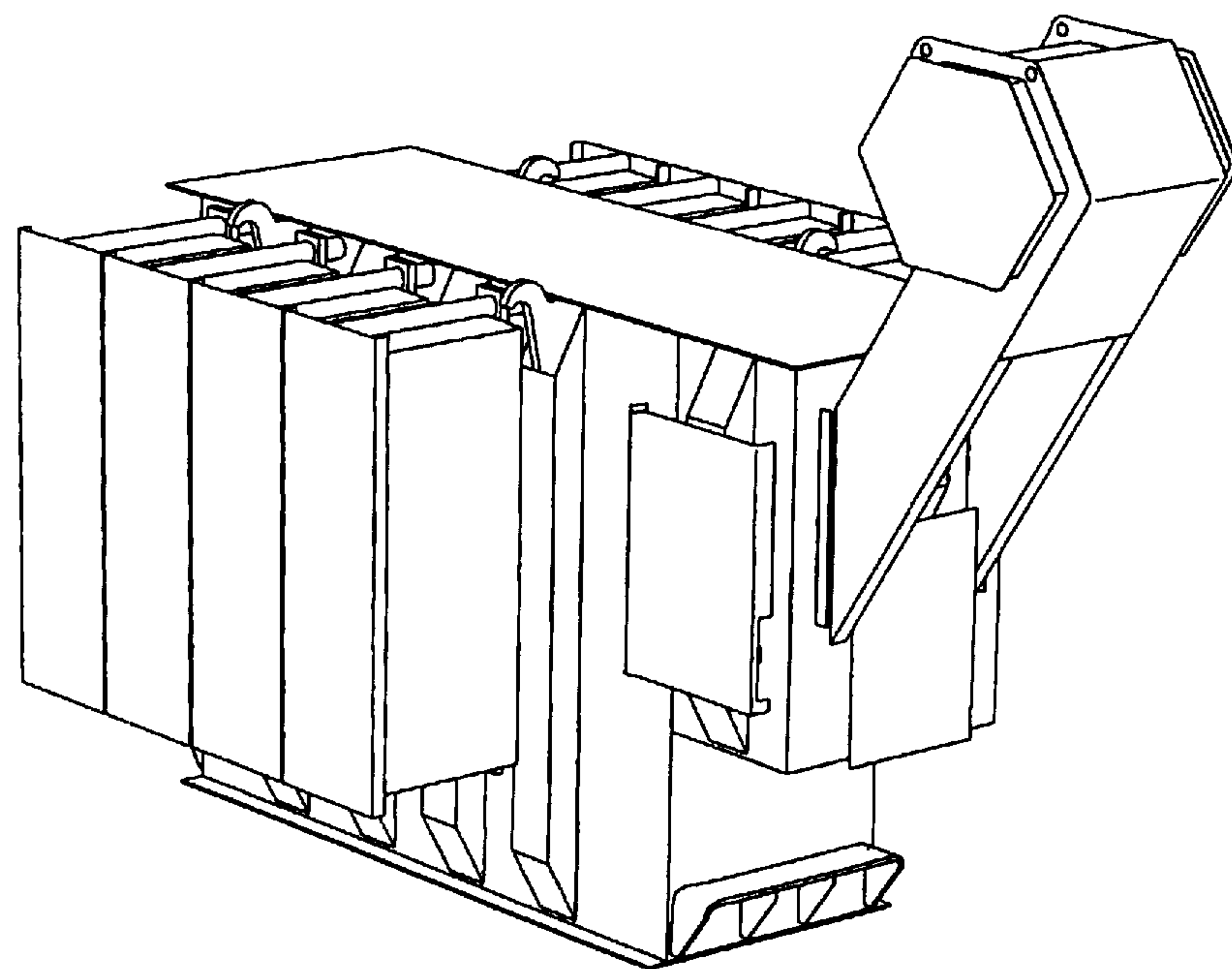


Fig. 20

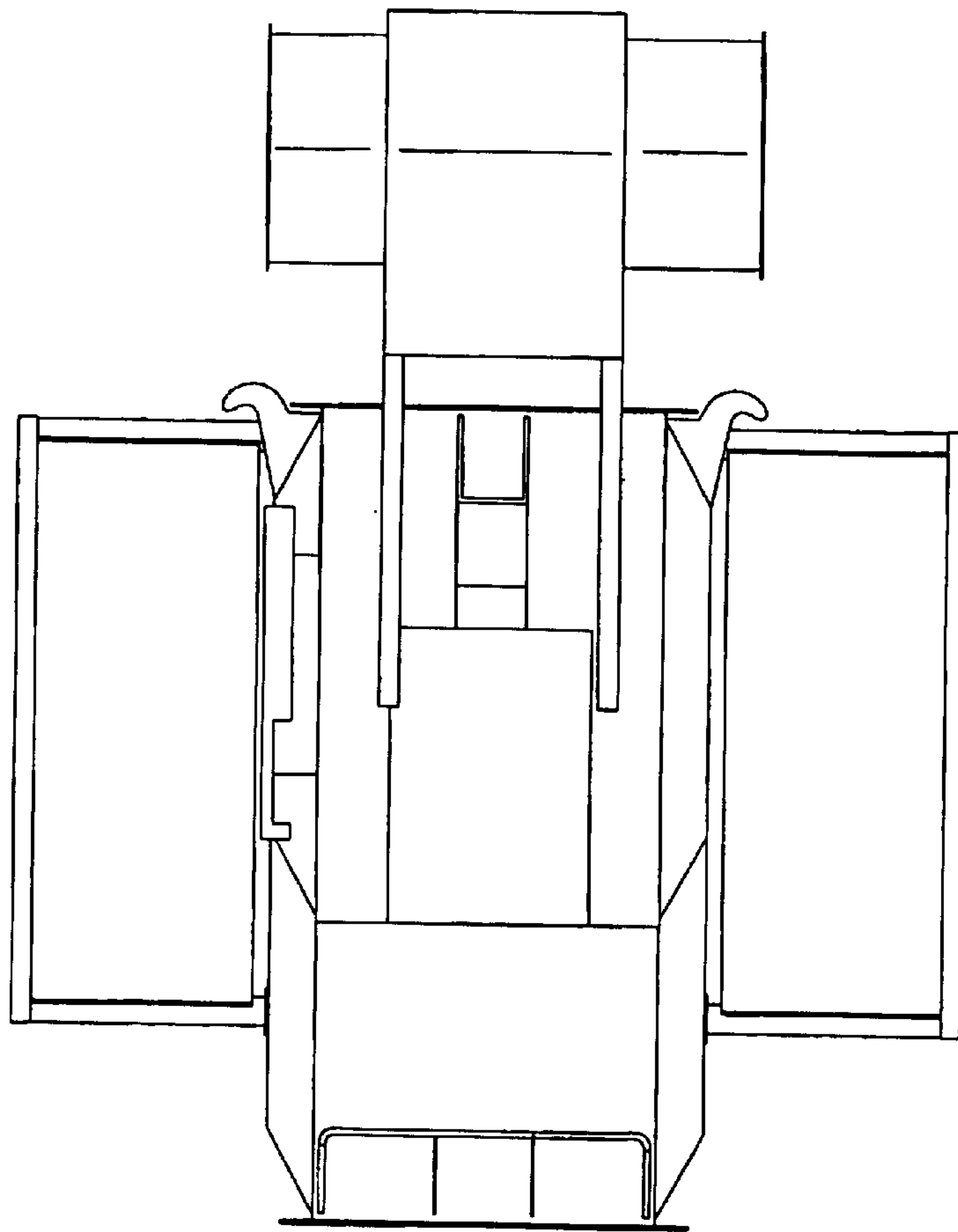


Fig. 21

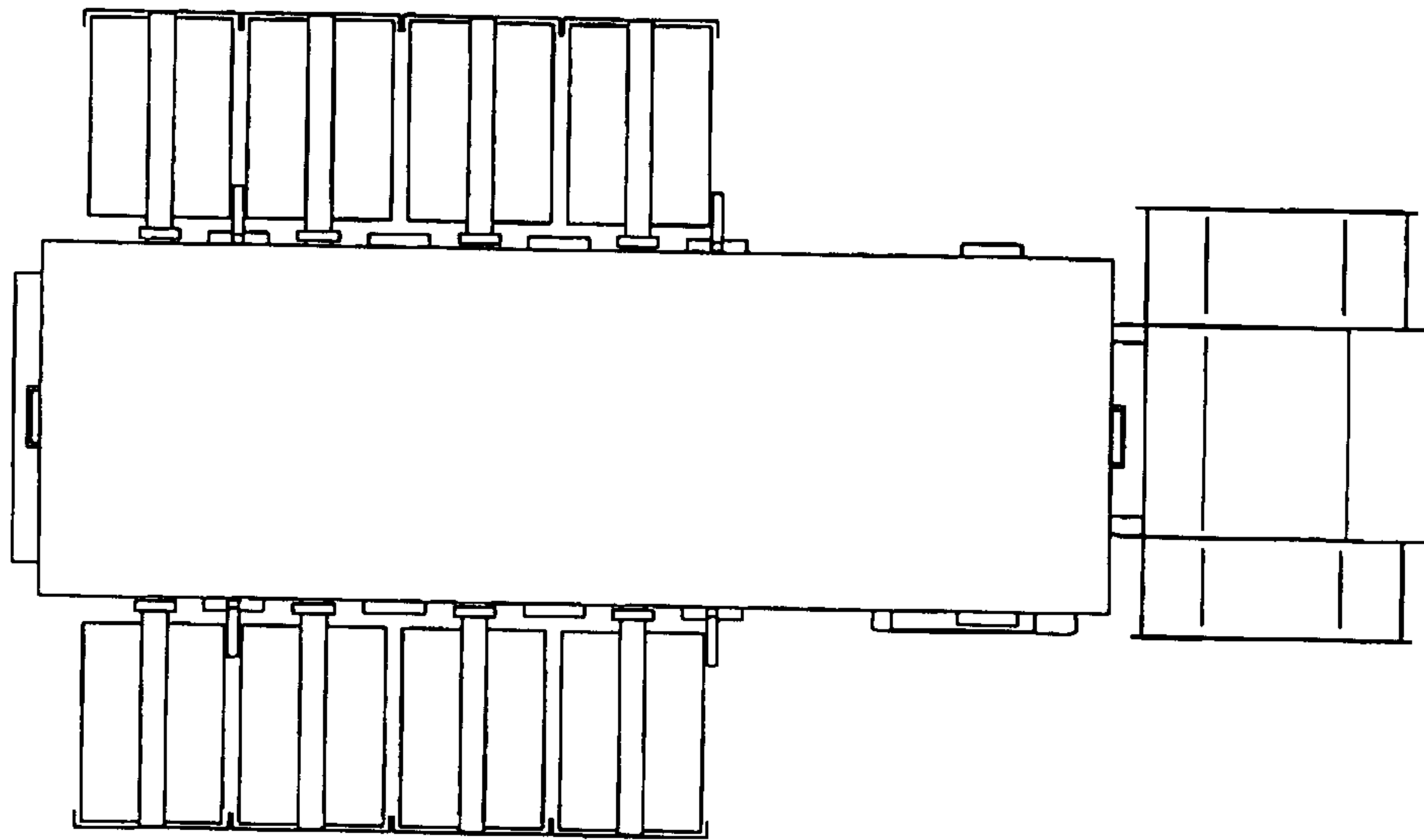


Fig. 22

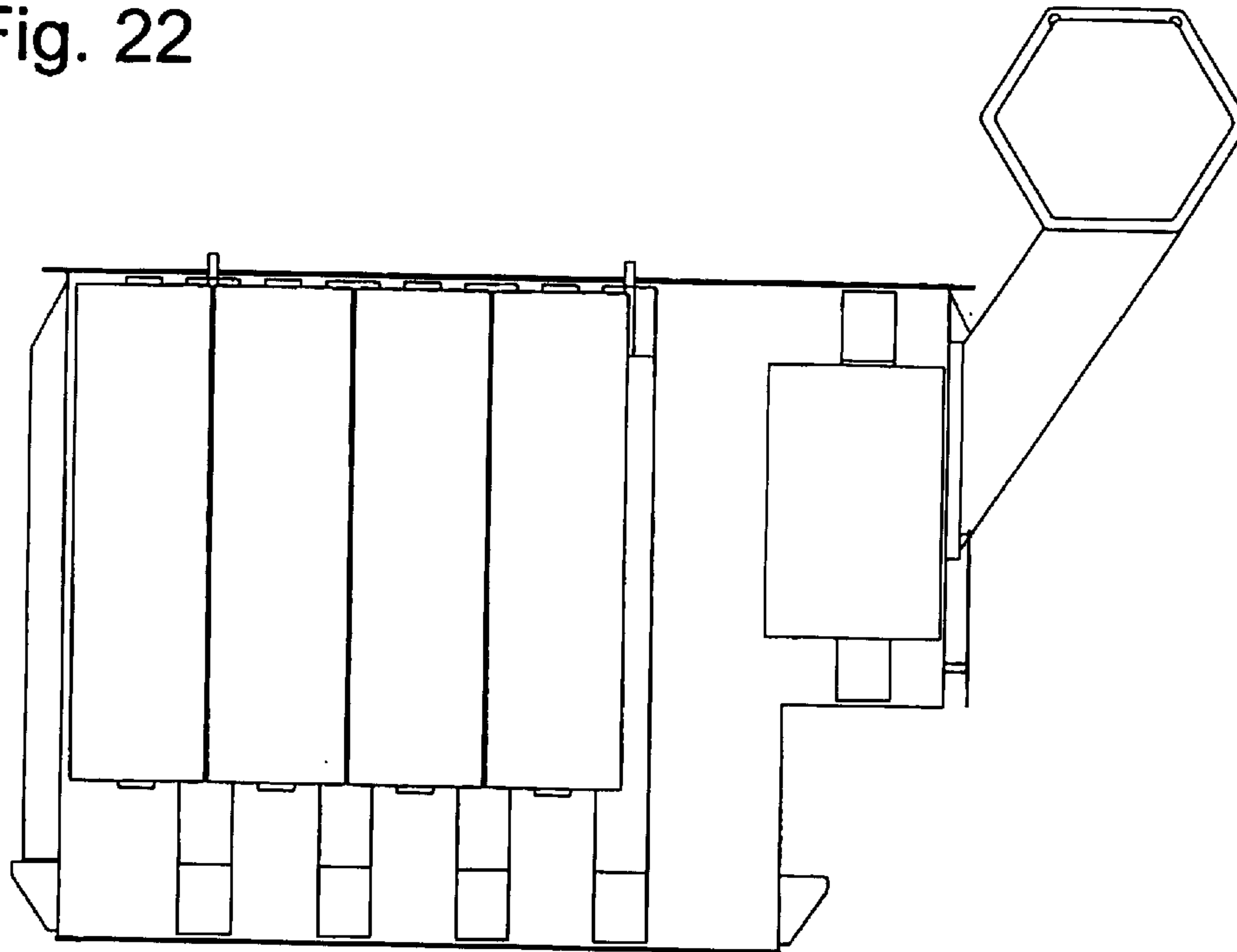


Fig. 23

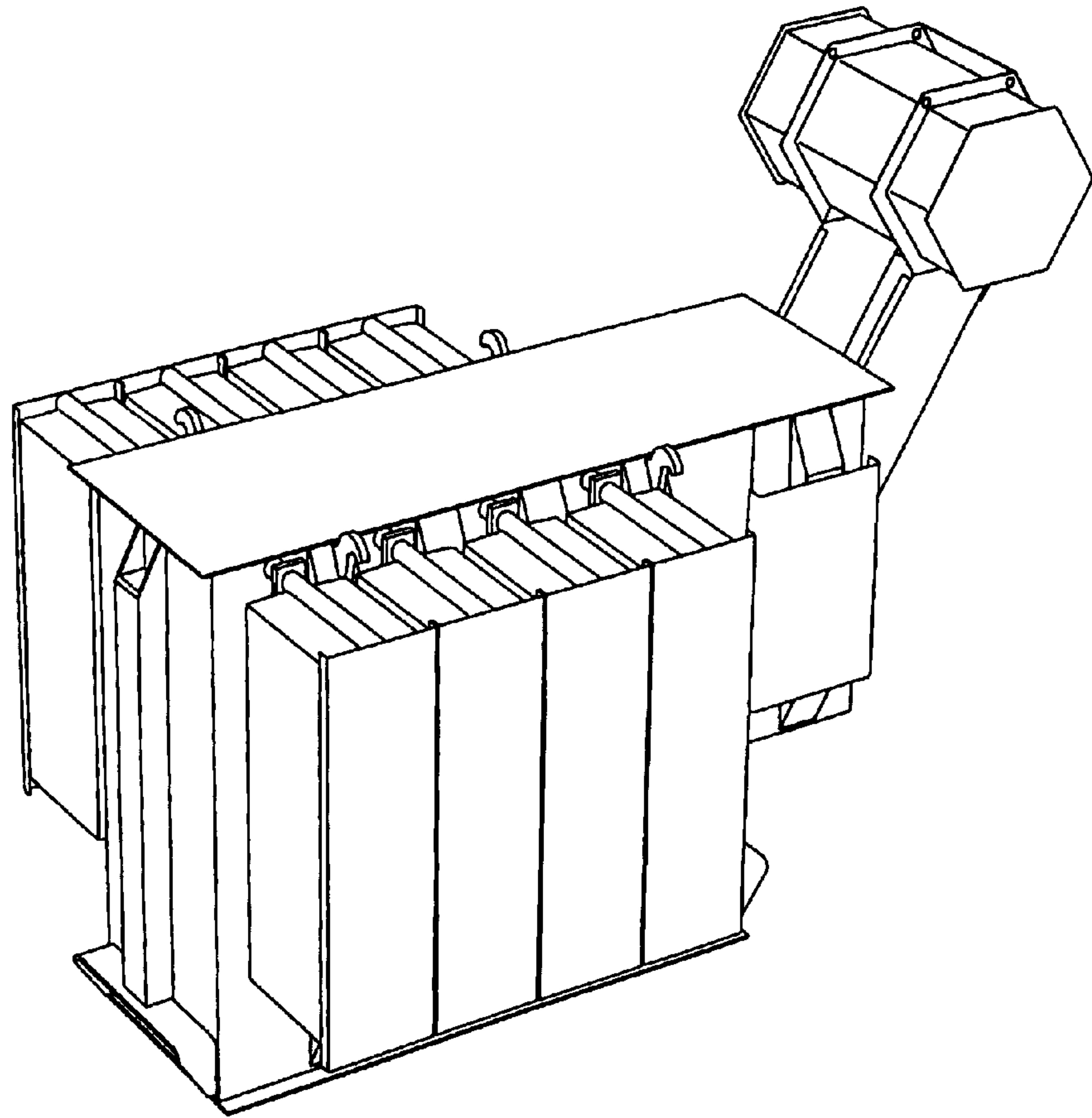


Fig. 24

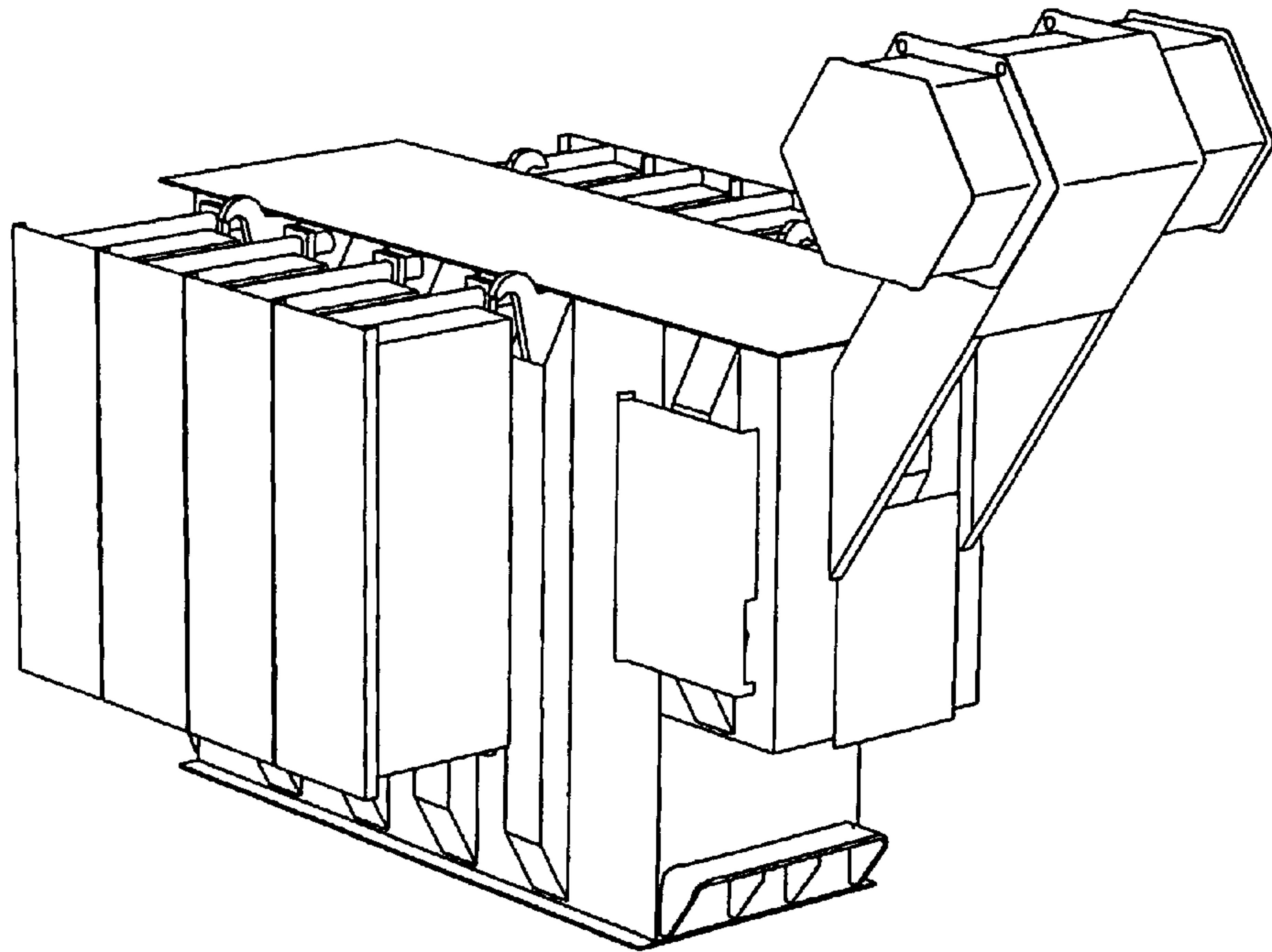


Fig. 25

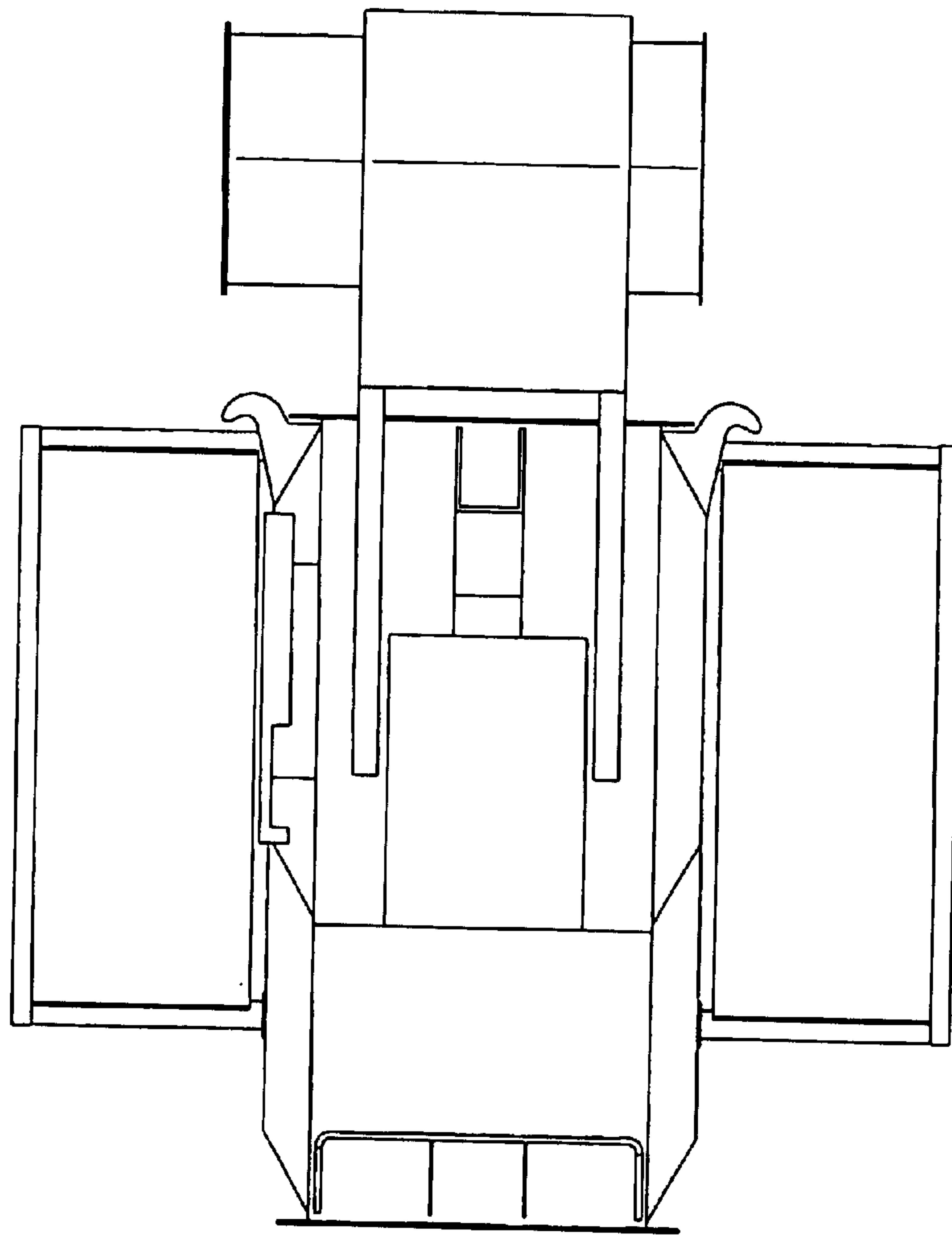


Fig. 26

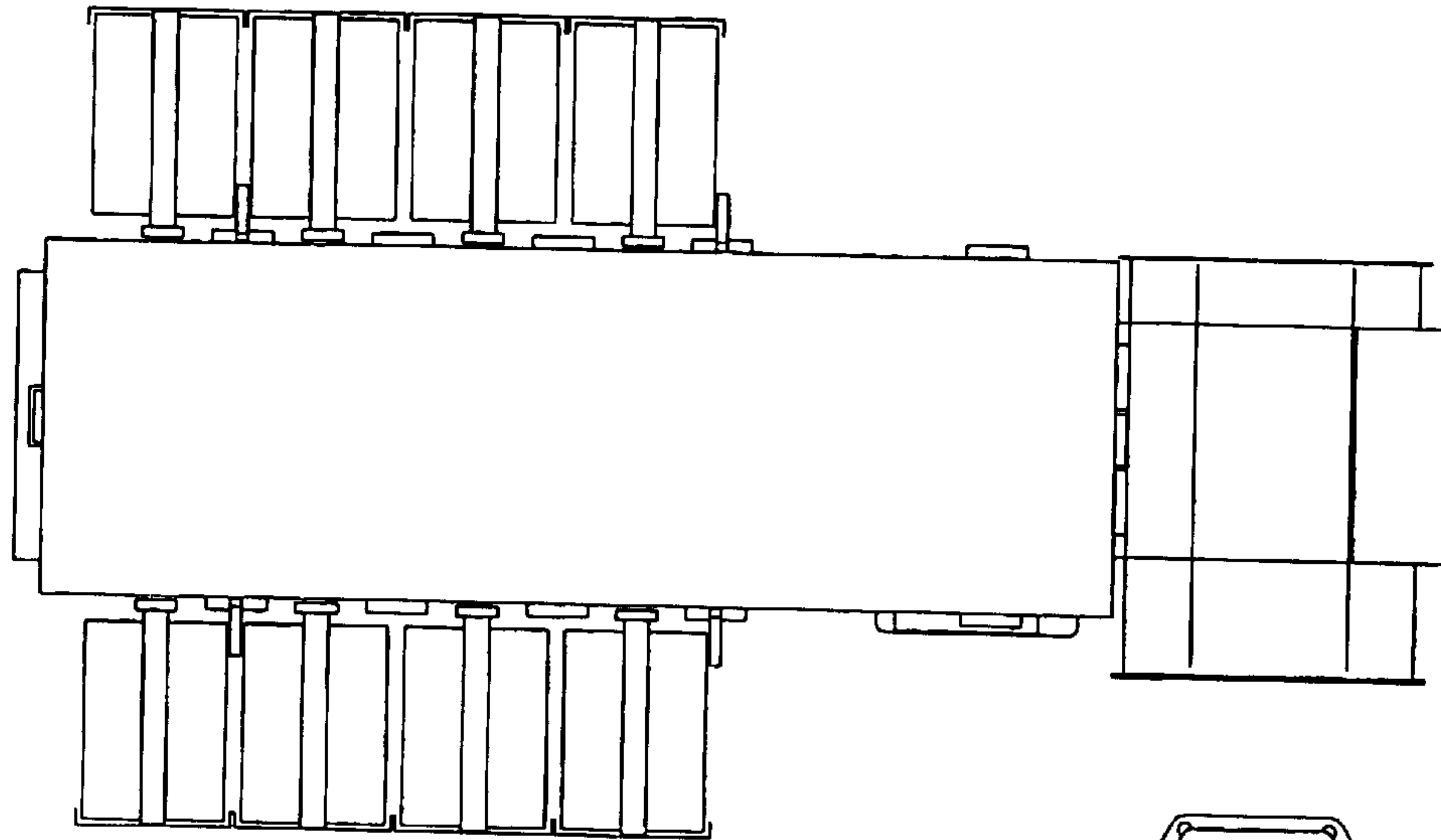


Fig. 27

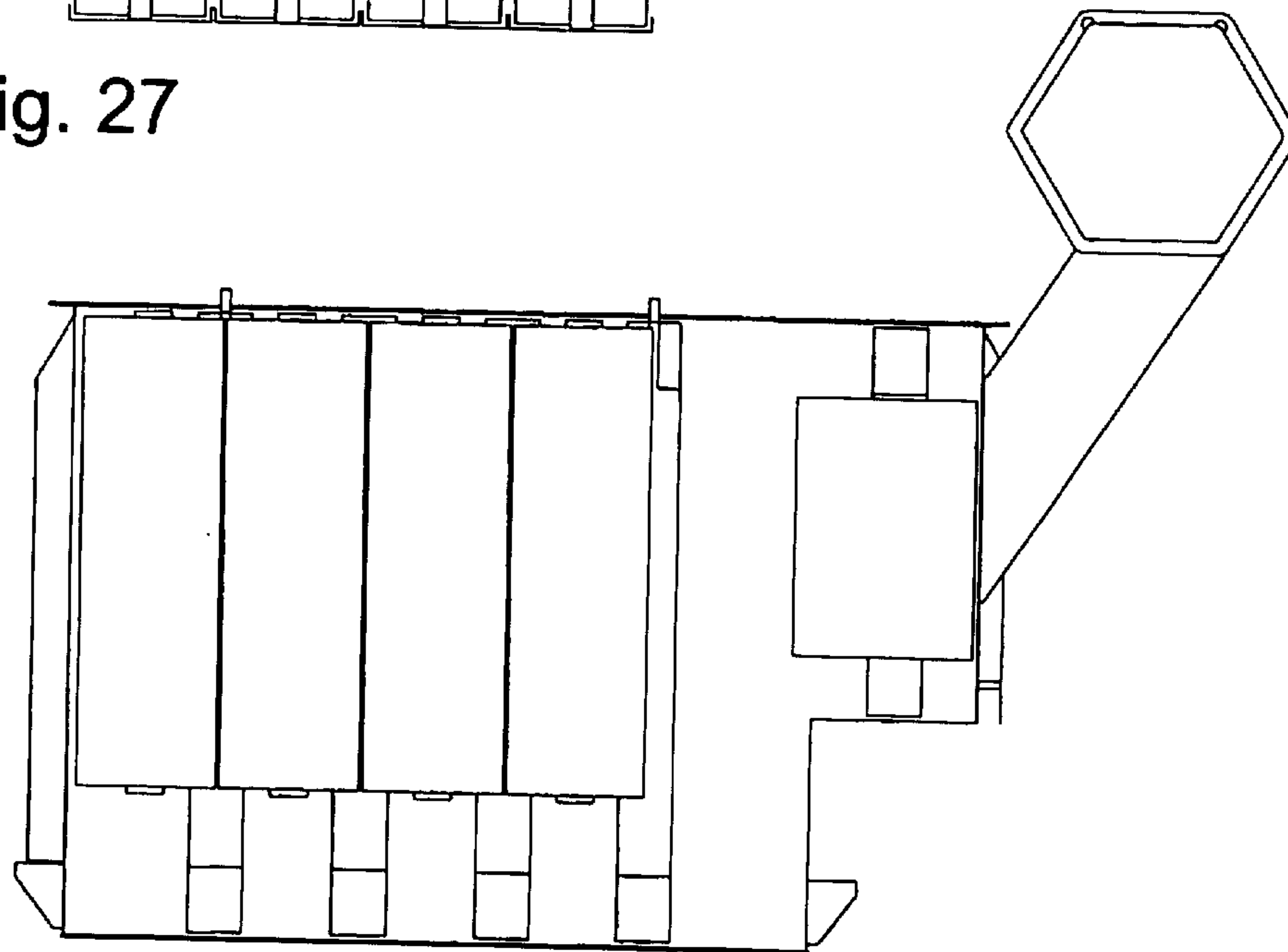


Fig. 28

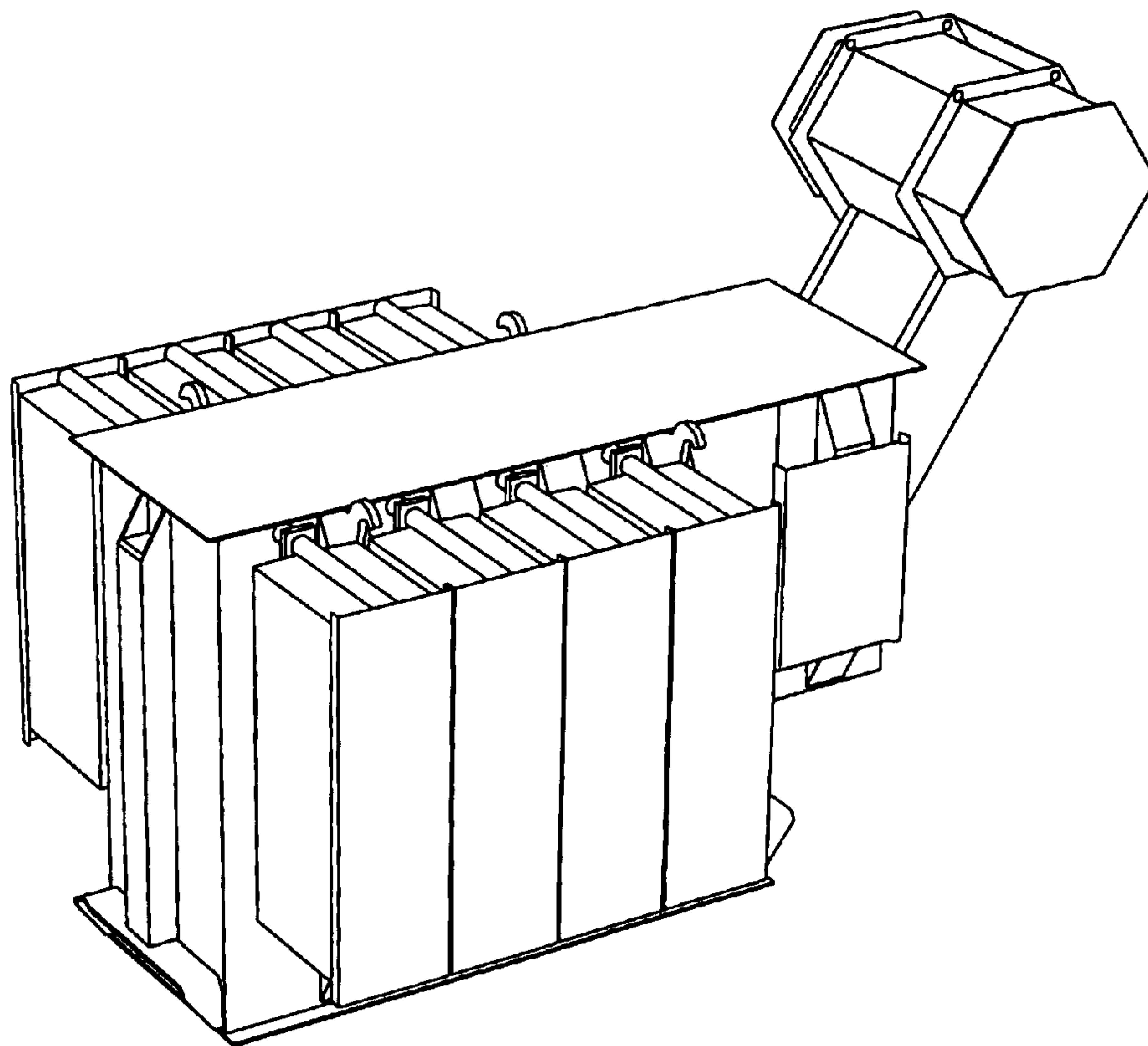


Fig. 29

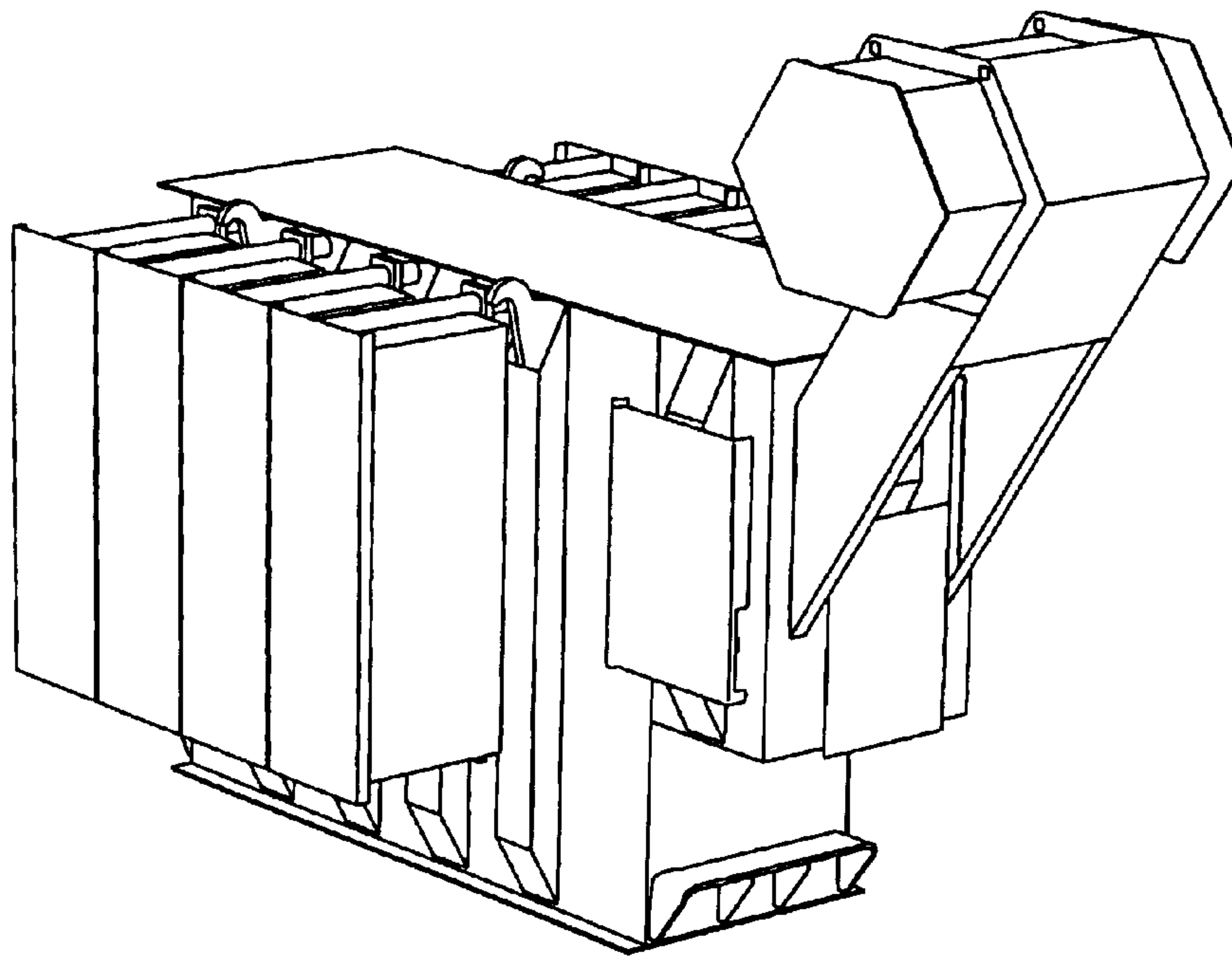


Fig. 30

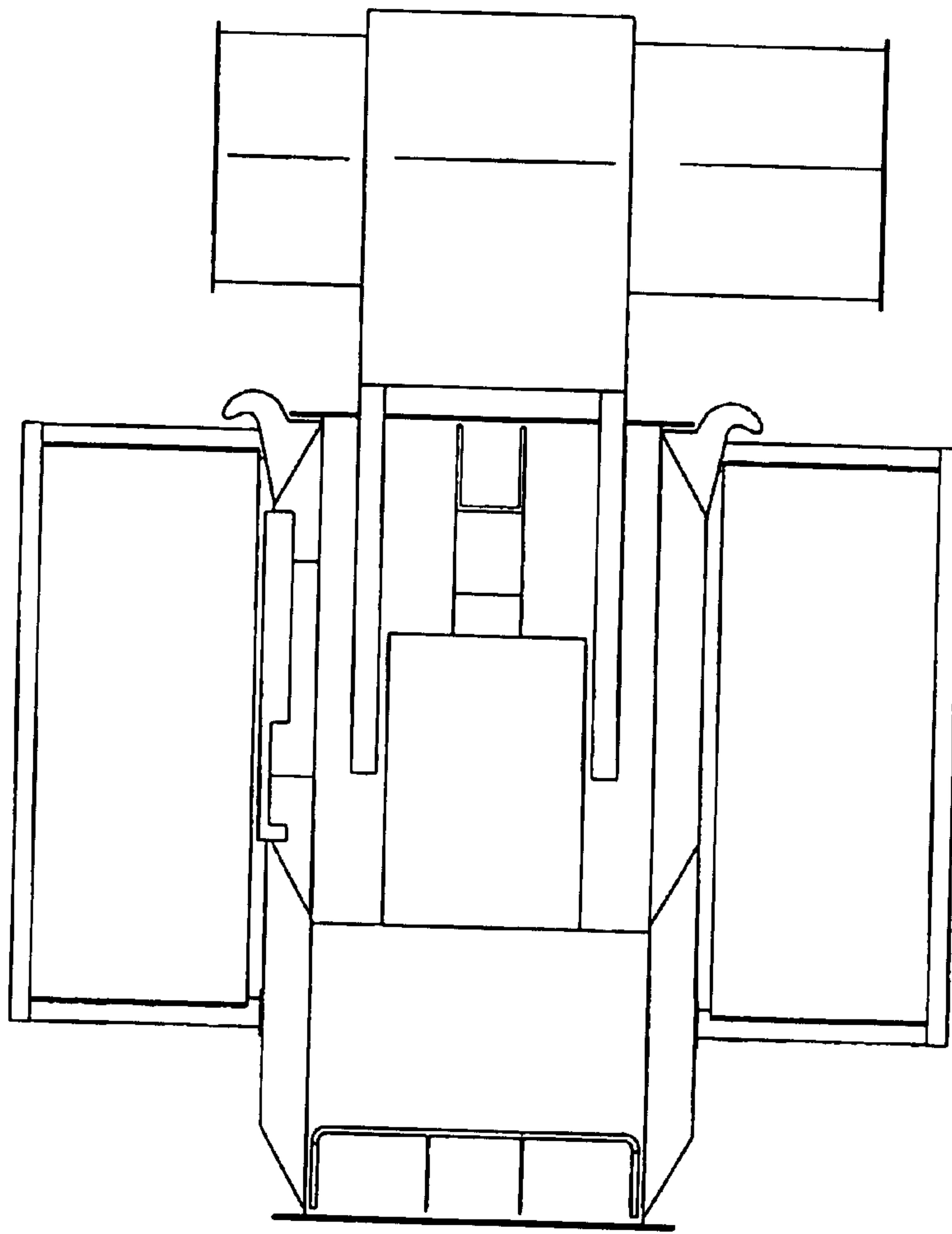


Fig. 31

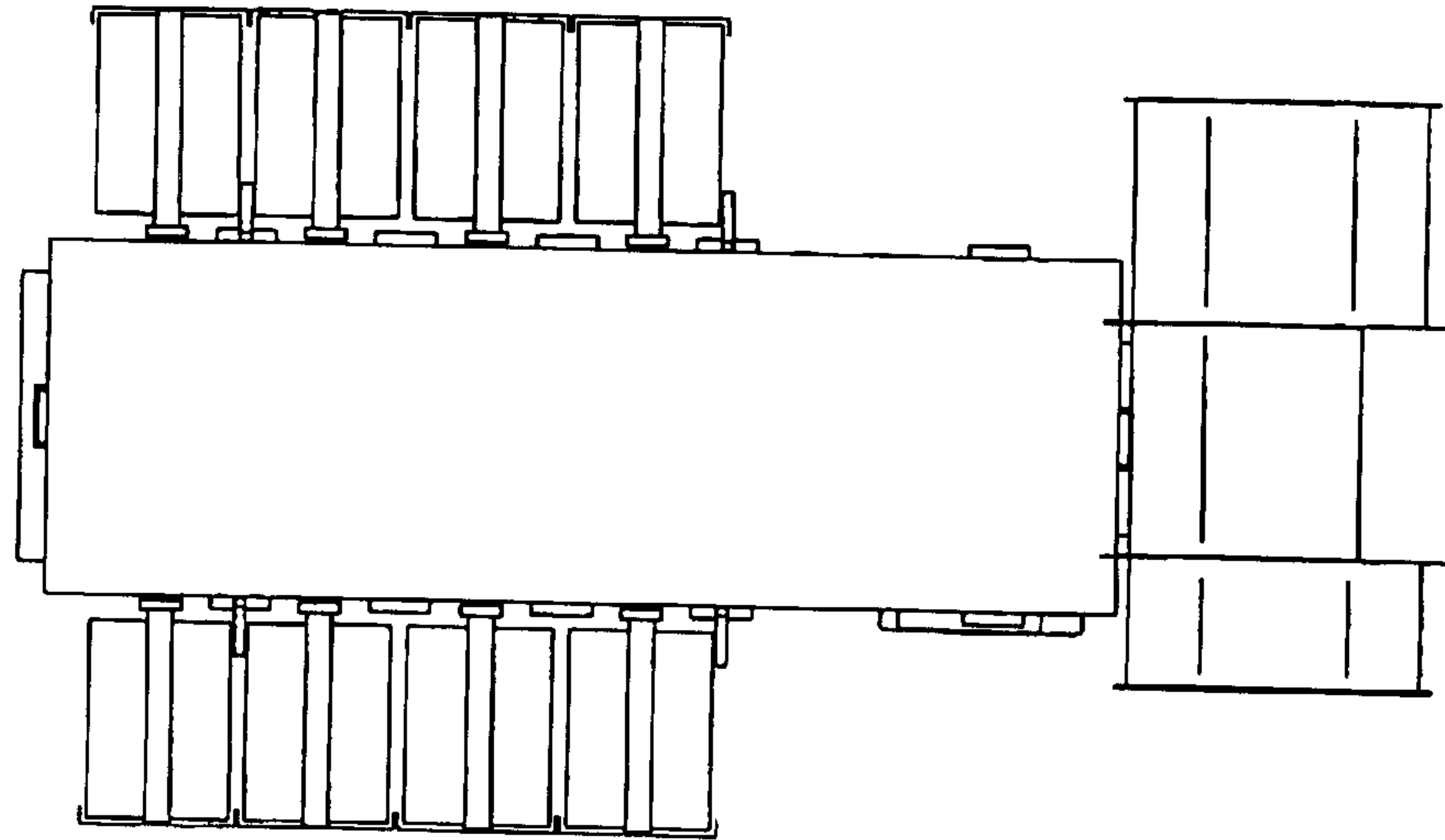


Fig. 32

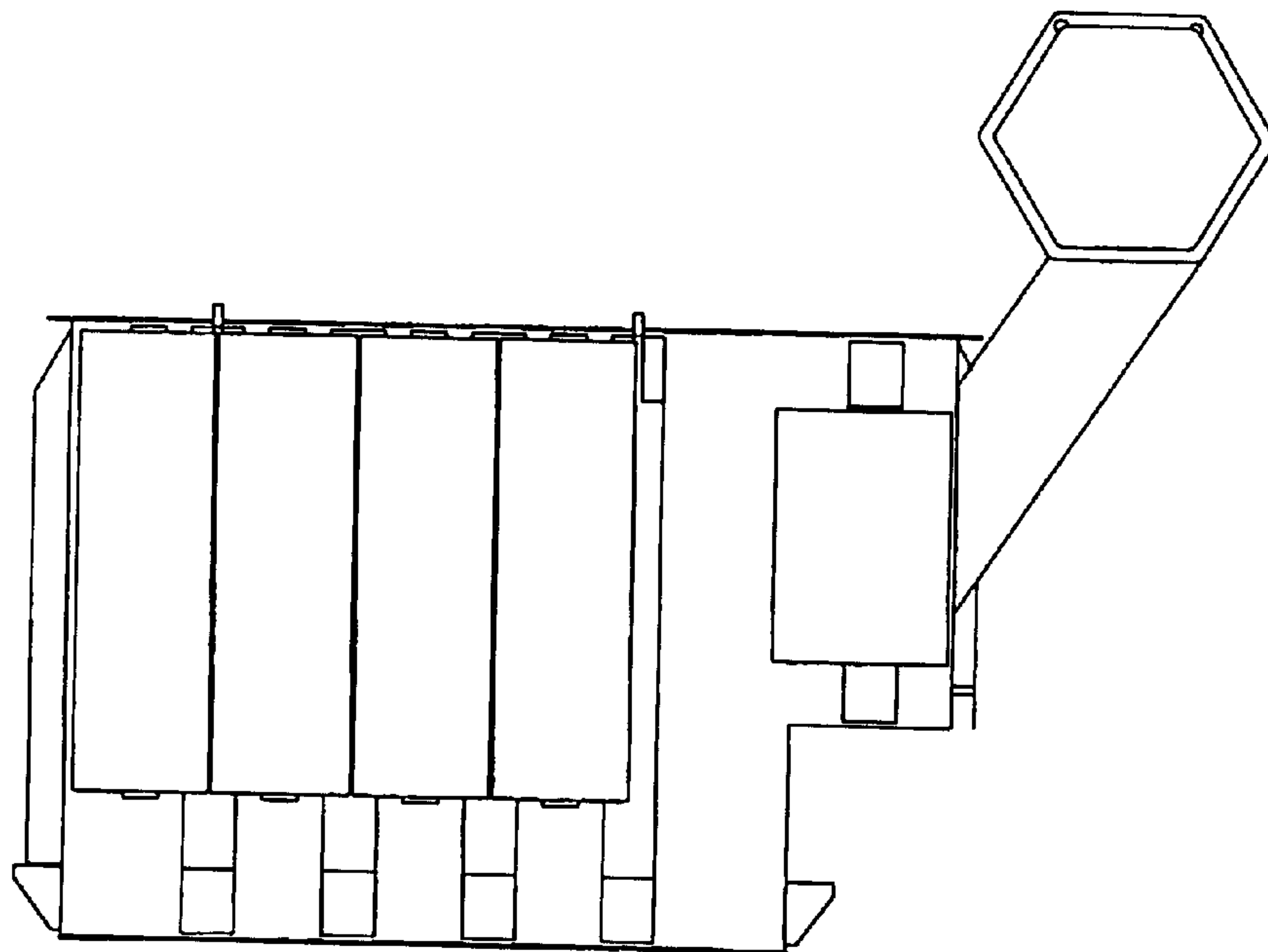


Fig. 33

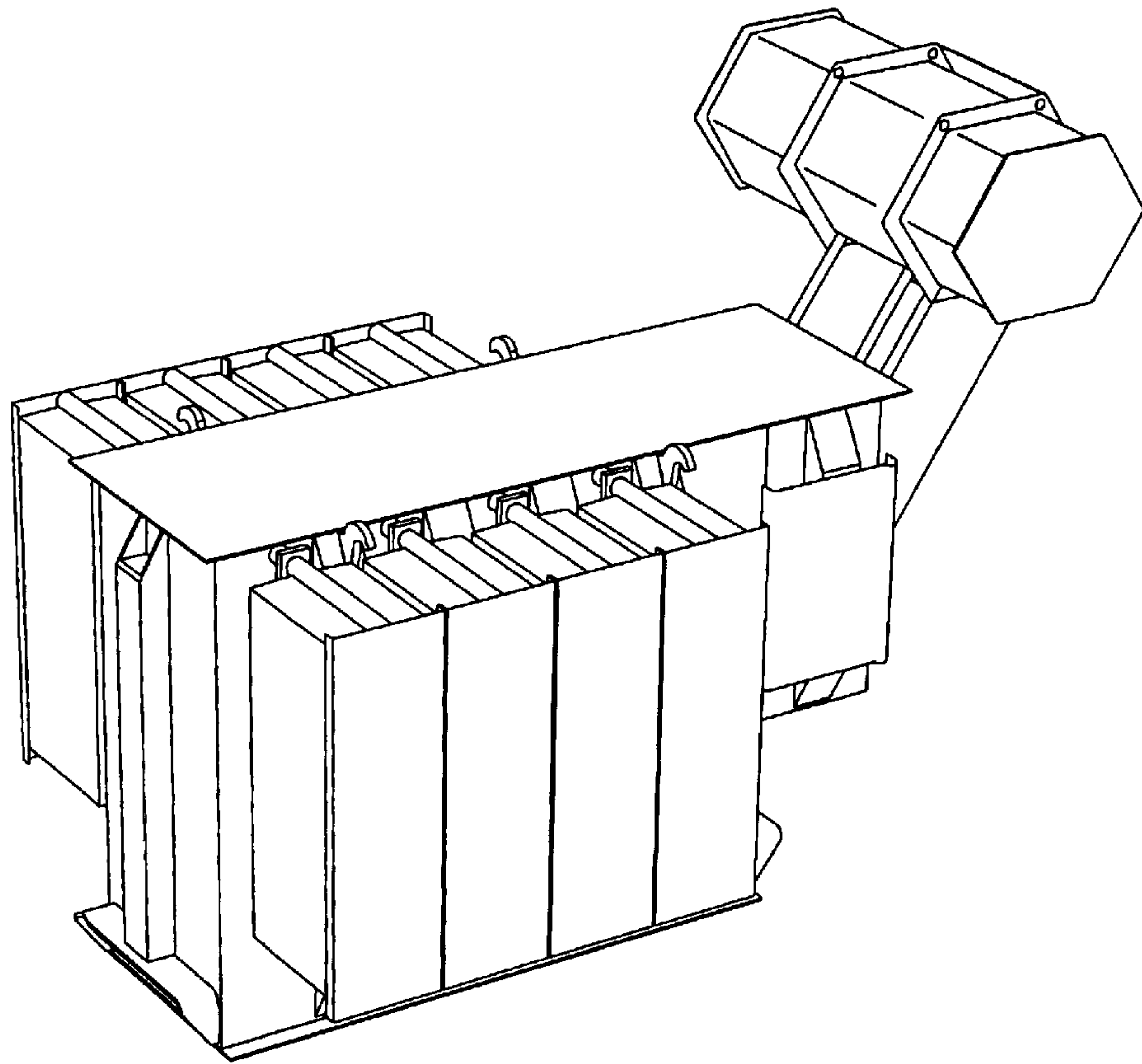


Fig. 34

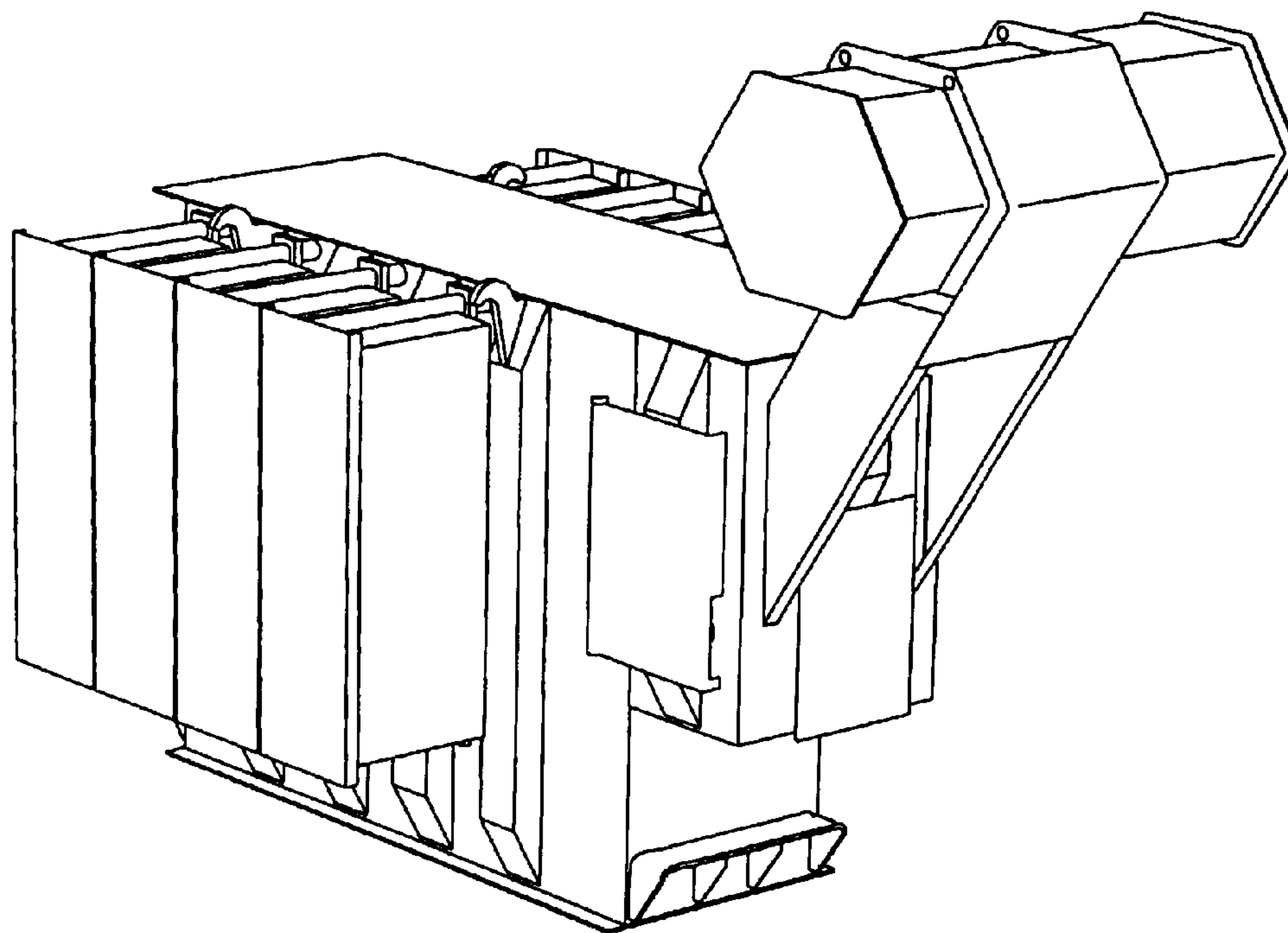


Fig. 35