



US00D542730S

(12) **United States Design Patent**  
**Schultz**

(10) **Patent No.:** **US D542,730 S**  
(45) **Date of Patent:** **\*\* May 15, 2007**

(54) **CONVERTIBLE PICKUP CANOPY**

(76) Inventor: **John Gregory Schultz**, 405 Newport Way NW, Issaquah, WA (US) 98027

(\*\*) Term: **14 Years**

(21) Appl. No.: **29/263,588**

(22) Filed: **Jul. 26, 2006**

(51) **LOC (8) Cl.** ..... **12-16**

(52) **U.S. Cl.** ..... **D12/404**

(58) **Field of Classification Search** ..... D12/401-404;  
D21/834-838; 150/66; 135/88.01-88.16,  
135/144; 296/171, 159, 164-167, 175, 100.1,  
296/26.02, 100.03, 100.18, 100.15, 100.08

See application file for complete search history.

(56) **References Cited**

U.S. PATENT DOCUMENTS

D212,469 S	*	10/1968	Kroll	.....	D12/404
D250,012 S	*	10/1978	Windecker et al.	.....	D12/404
4,496,184 A	*	1/1985	Byrd et al.	.....	296/100.15
D325,188 S	*	4/1992	Abele	.....	D12/404
D325,366 S	*	4/1992	Mansberger	.....	D12/404

(Continued)

*Primary Examiner*—Stacia Cadmus

(74) *Attorney, Agent, or Firm*—Ryan Kromholz & Manion, S.C.

(57) **CLAIM**

The ornamental design for a convertible pickup canopy, as shown and described.

**DESCRIPTION**

FIG. 1 is a rear perspective view of the convertible pickup canopy of the present invention, the convertible pickup canopy shown in an expanded condition and attached to a bed of a pickup truck;

FIG. 2 is a rear elevational view of the of the convertible pickup canopy of the present invention, the convertible pickup canopy shown in an expanded condition;

FIG. 3 is a front elevational view of the of the convertible pickup canopy of the present invention, the convertible pickup canopy shown in an expanded condition;

FIG. 4 is a left side elevational view of the convertible pickup canopy of the present invention, the convertible pickup canopy shown in an expanded condition;

FIG. 5 is a right side elevational view of the convertible pickup canopy of the present invention, the convertible pickup canopy shown in an expanded condition;

FIG. 6 is a top plan view of the convertible pickup canopy of the present invention, the convertible pickup canopy shown in an expanded condition;

FIG. 7 is a bottom plan view of the convertible pickup canopy of the present invention, the convertible pickup canopy shown in an expanded condition;

FIG. 8 is a rear perspective view of the convertible pickup canopy of the present invention, the convertible pickup canopy shown in a collapsed condition;

FIG. 9 is a rear elevational view of the of the convertible pickup canopy of the present invention, the convertible pickup canopy shown in a collapsed condition;

FIG. 10 is a front elevational view of the convertible pickup canopy of the present invention, the convertible pickup canopy shown in a collapsed condition;

FIG. 11 is a left side elevational view of the convertible pickup canopy of the present invention, the convertible pickup canopy shown in a collapsed condition;

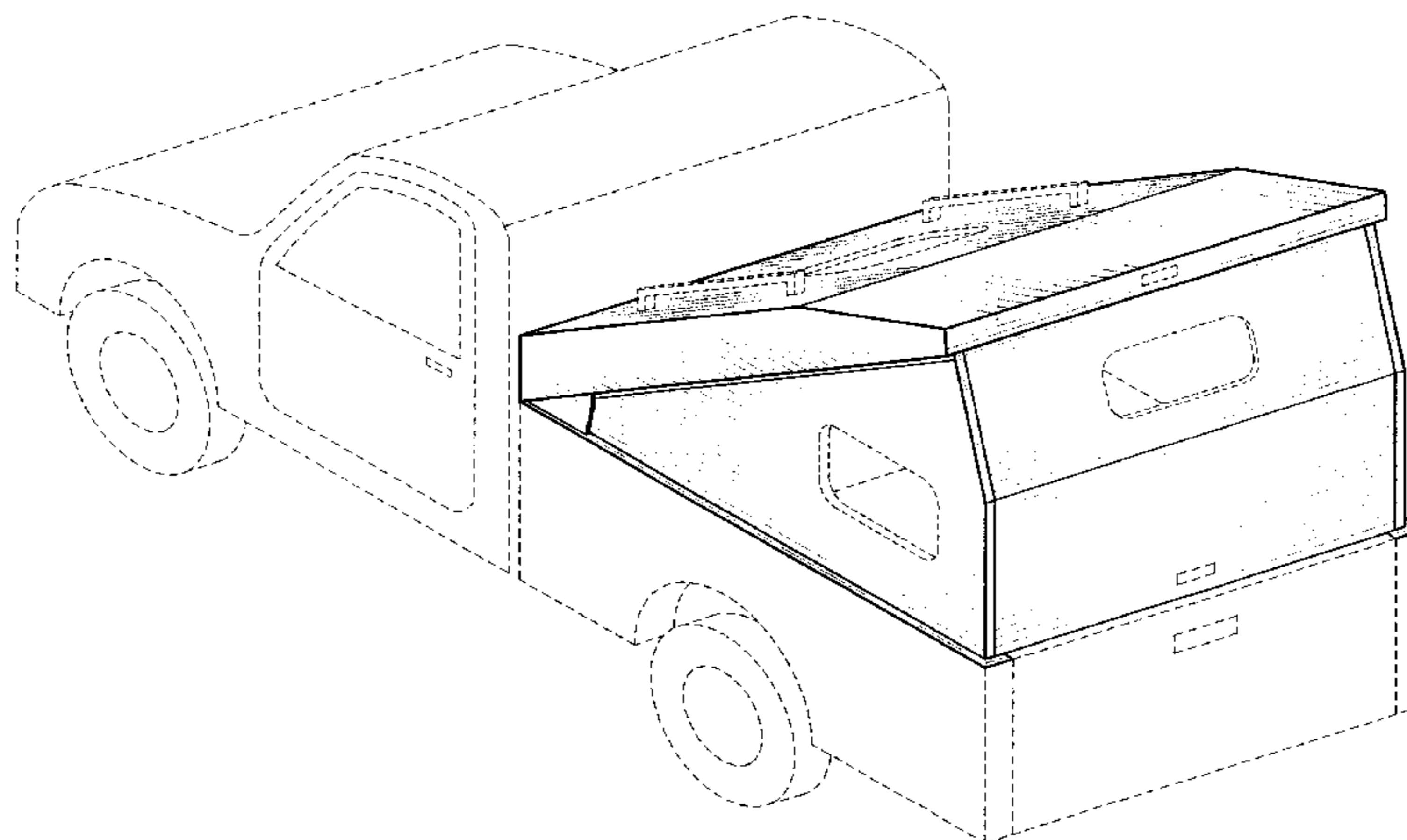
FIG. 12 is a right side elevational view of the convertible pickup canopy of the present invention, the convertible pickup canopy shown in a collapsed condition;

FIG. 13 is a top plan view of the convertible pickup canopy of the present invention, the convertible pickup canopy shown in a collapsed condition; and,

FIG. 14 is a bottom plan view of the convertible pickup canopy of the present invention, the convertible pickup canopy shown in a collapsed condition.

The broken line showing of environment is for illustrative purposes only and forms no part of the claimed design.

**1 Claim, 8 Drawing Sheets**



# US D542,730 S

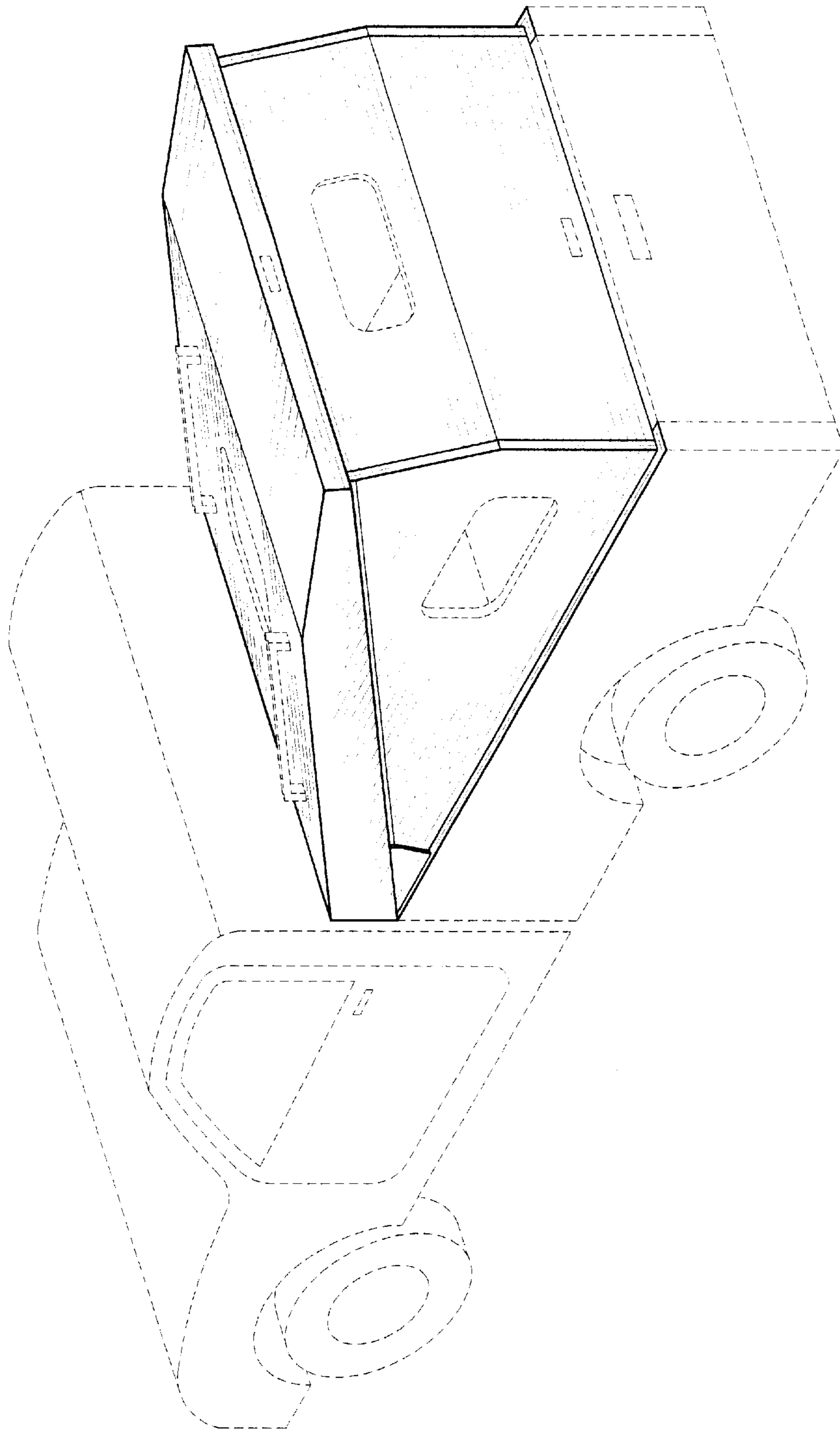
Page 2

---

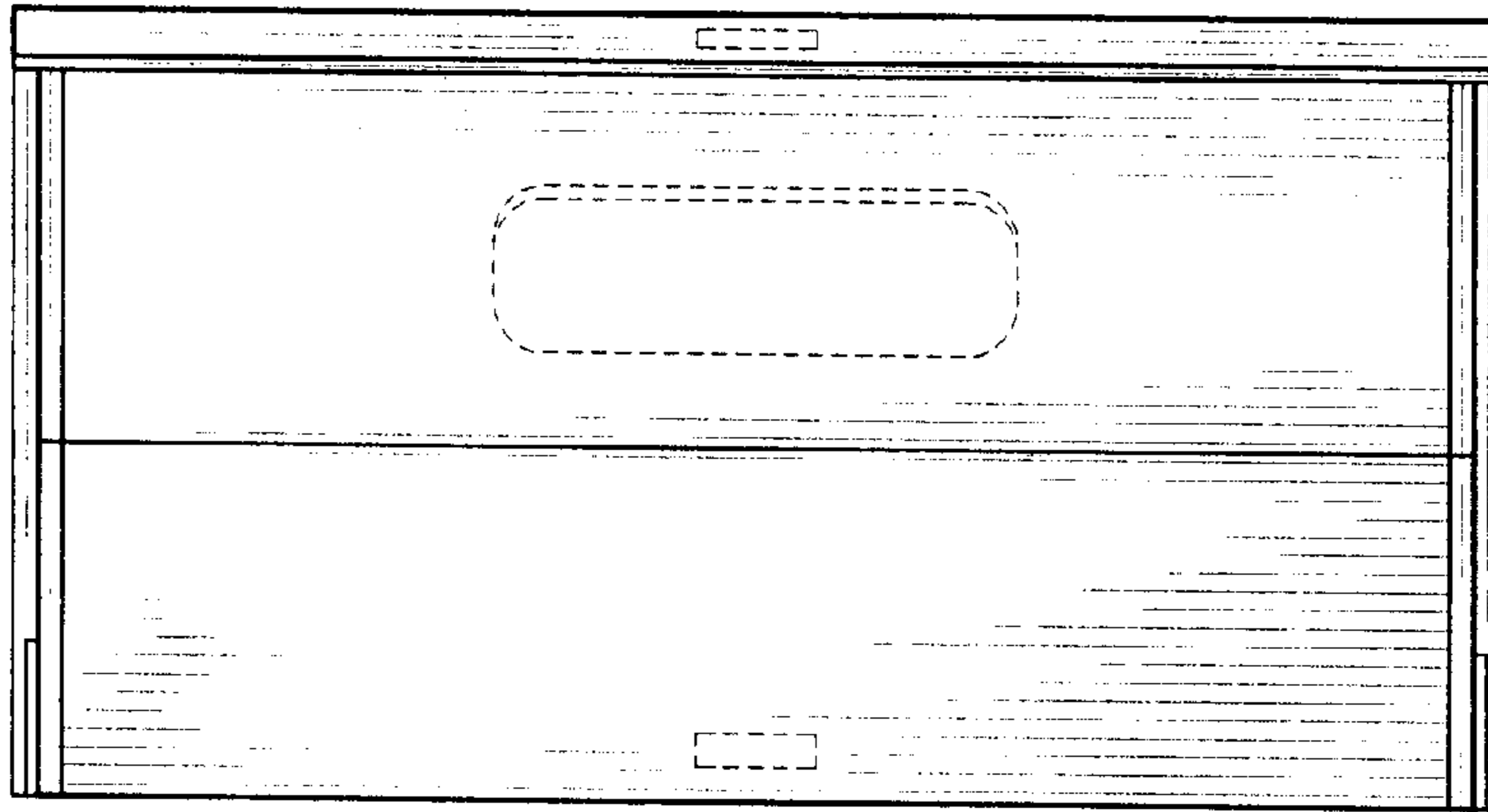
## U.S. PATENT DOCUMENTS

5,102,185	A	4/1992	Lake	296/165	D432,074	S	*	10/2000	Harris	D12/404
D328,049	S	* 7/1992	Sturtevant	D12/404	D432,980	S	*	10/2000	Gaytan	D12/404
5,127,701	A	* 7/1992	Miller	296/100.18	D445,397	S	*	7/2001	Gaytan	D12/404
5,213,390	A	5/1993	Borchers	296/165	6,394,532	B1		5/2002	Dence	296/165
5,655,809	A	* 8/1997	Hutchinson	296/100.03	6,616,210	B1		9/2003	Massey	296/100.1
5,951,095	A	9/1999	Herndon	296/165	6,712,418	B1		3/2004	Lathers	296/100.02
D424,012	S	* 5/2000	Gaytan	D12/404	6,820,915	B2		11/2004	Mack et al.	296/100.08

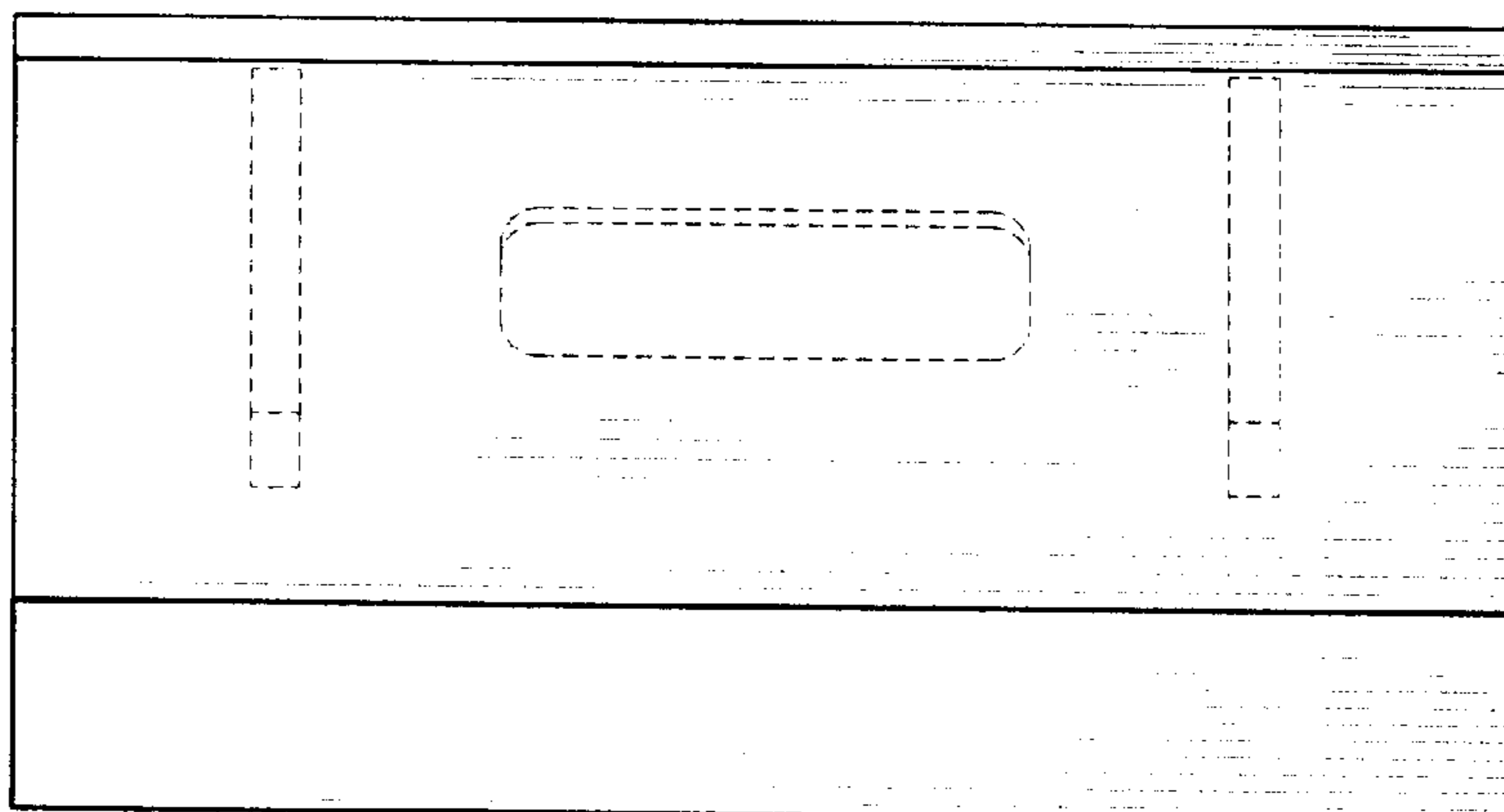
\* cited by examiner



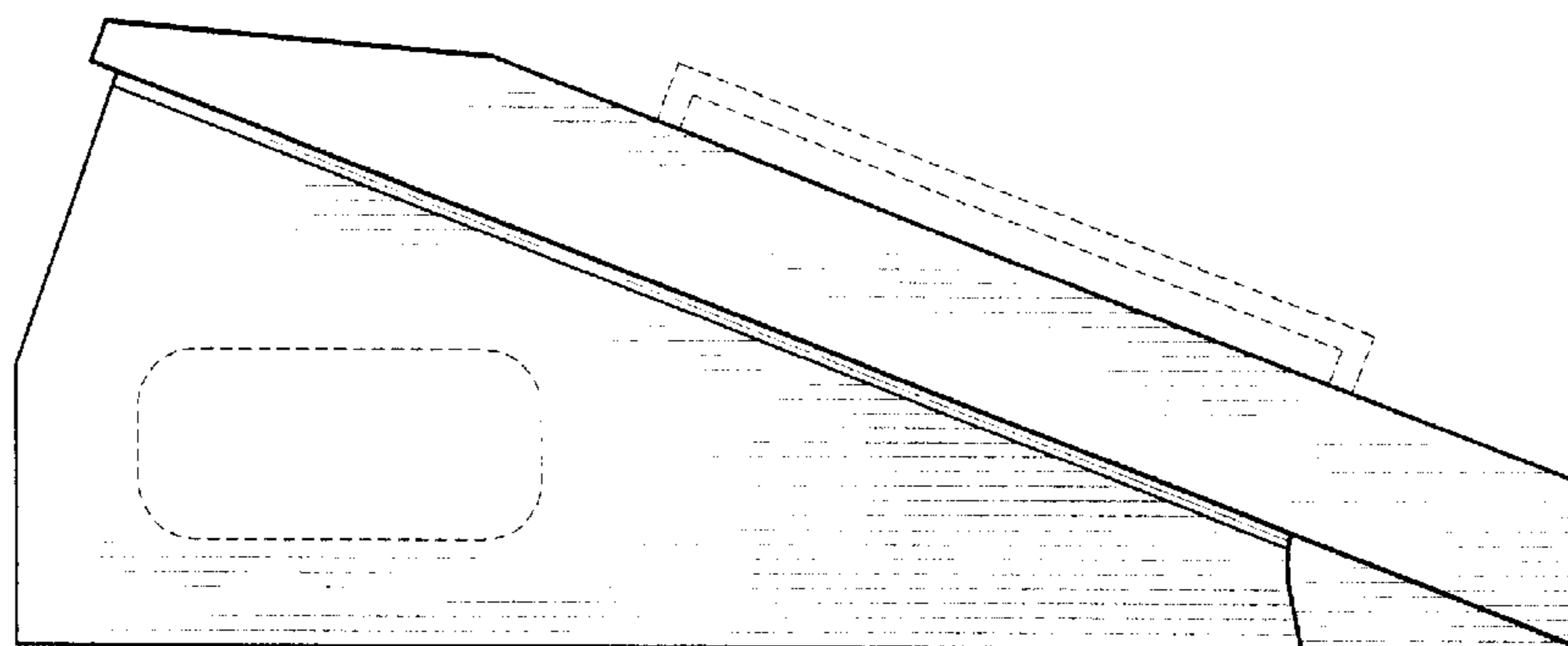
*Fig. 1*



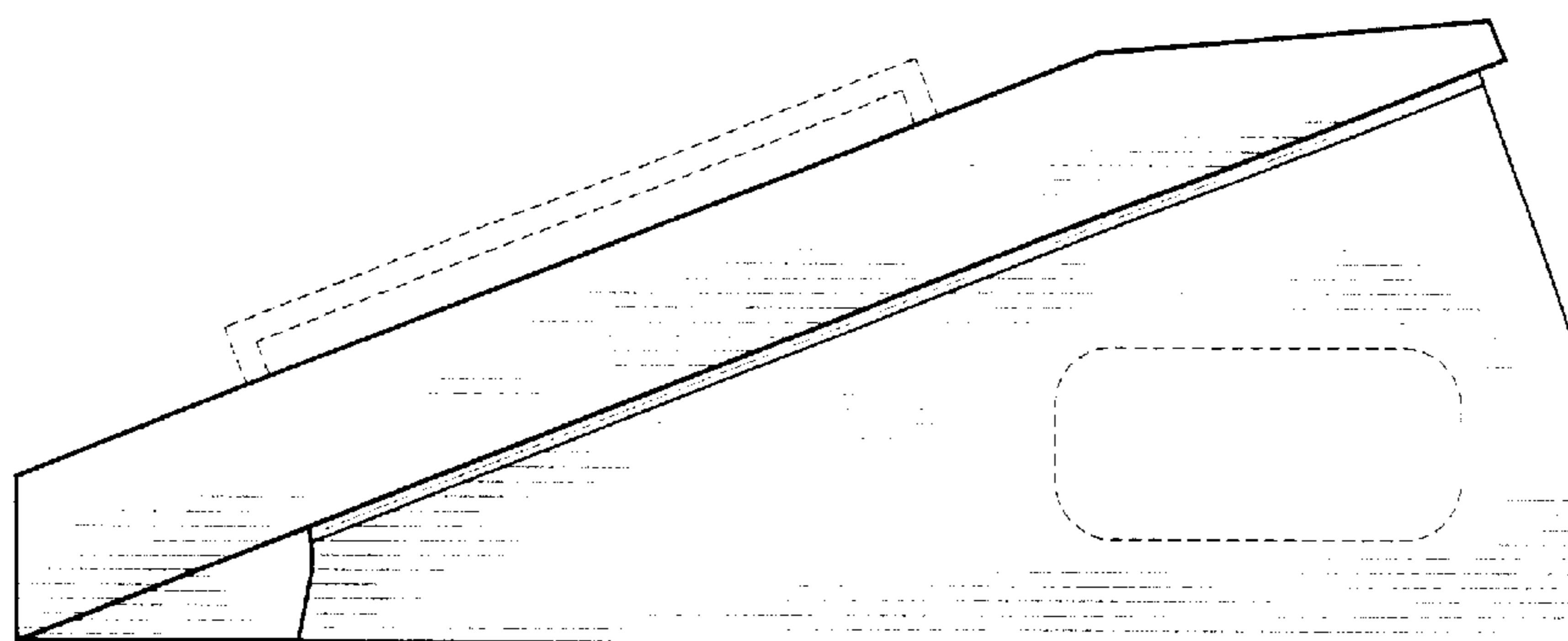
*Fig. 2*



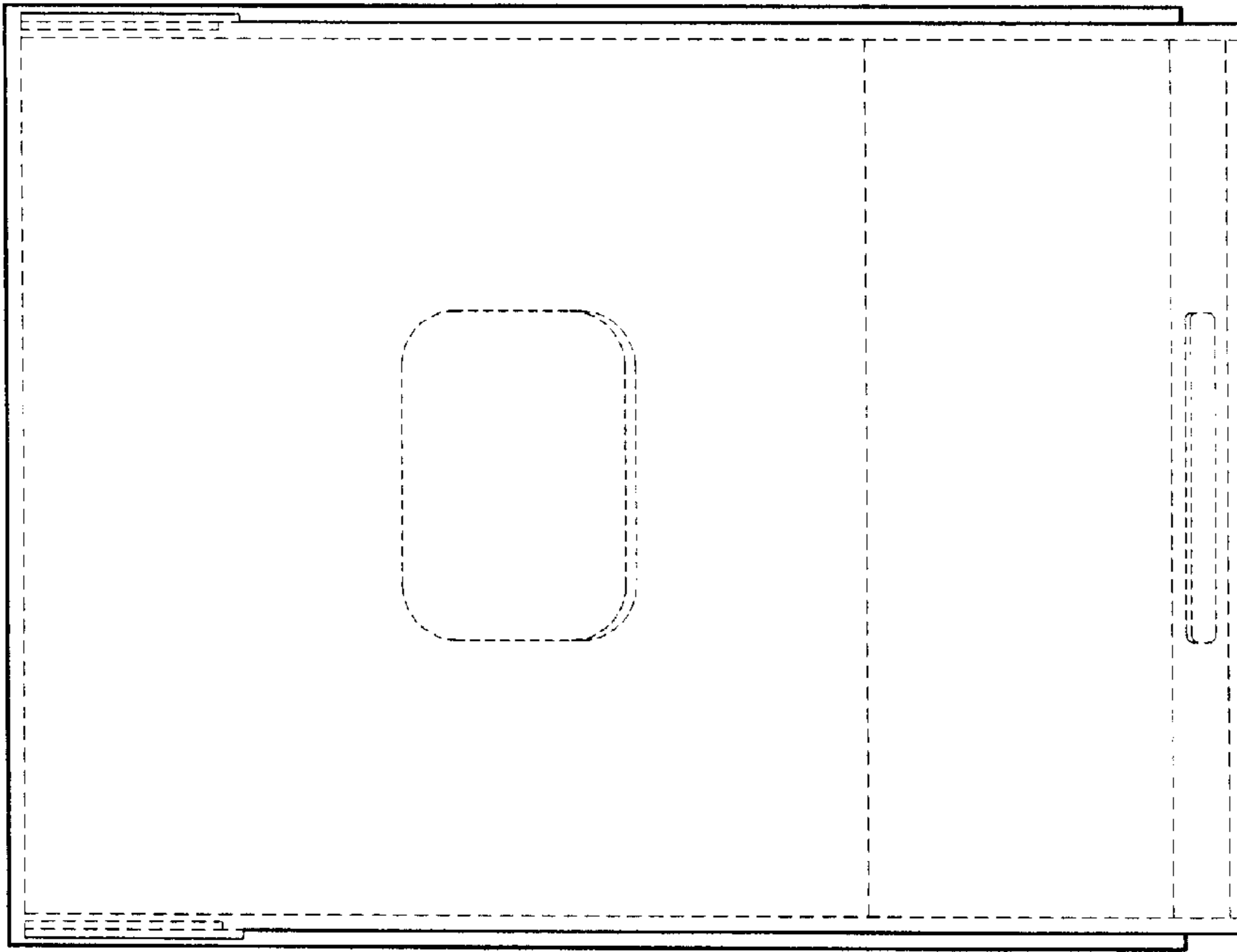
*Fig. 3*



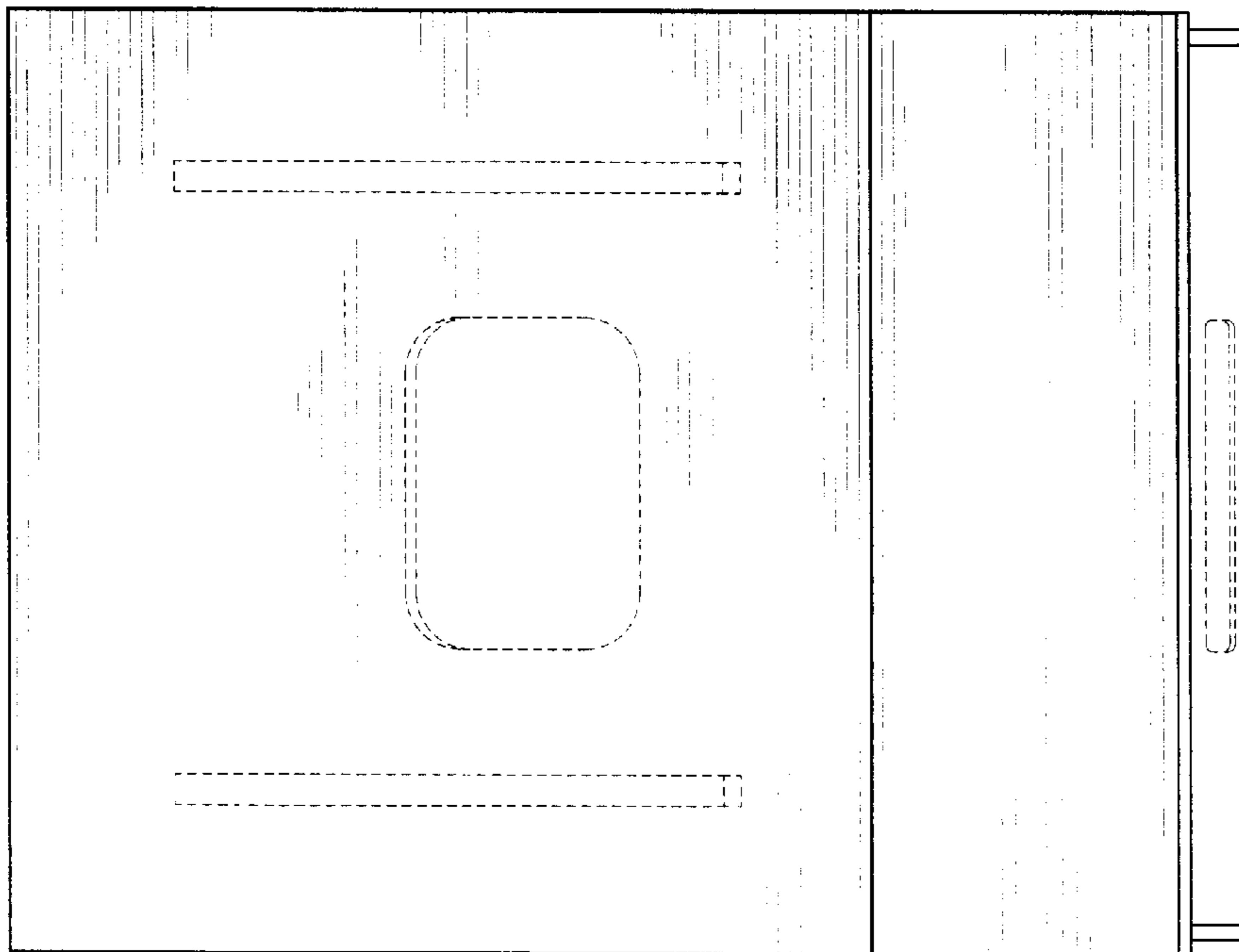
*Fig. 4*



*Fig. 5*



*Fig. 7*



*Fig. 6*

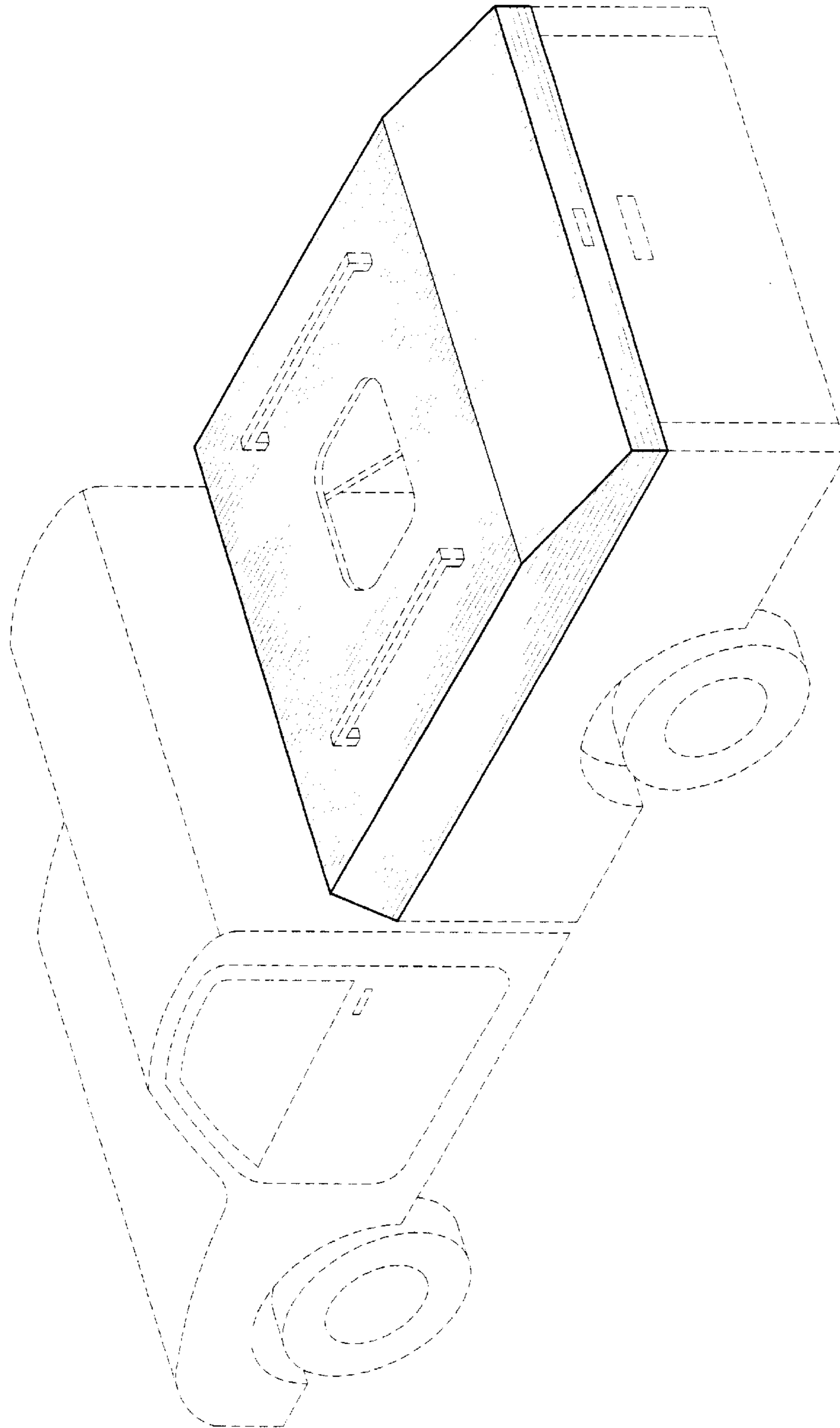
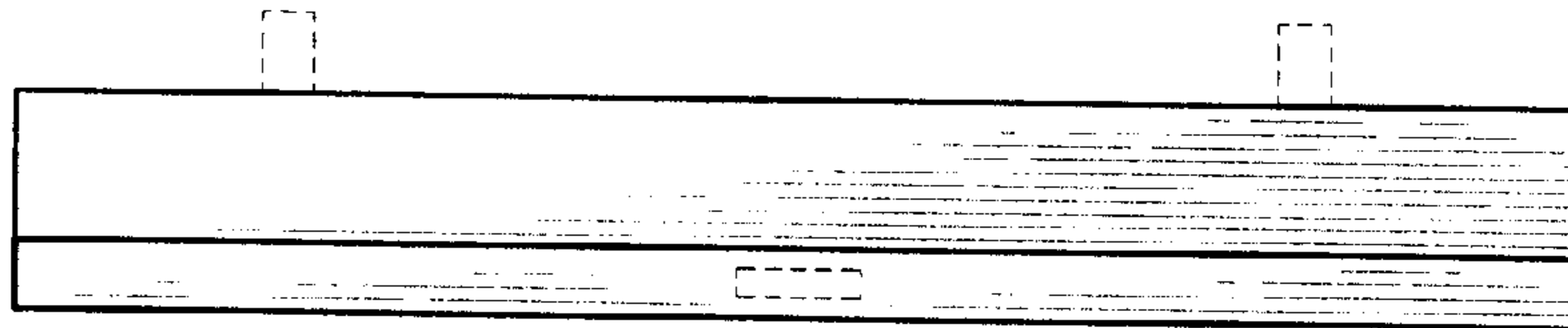
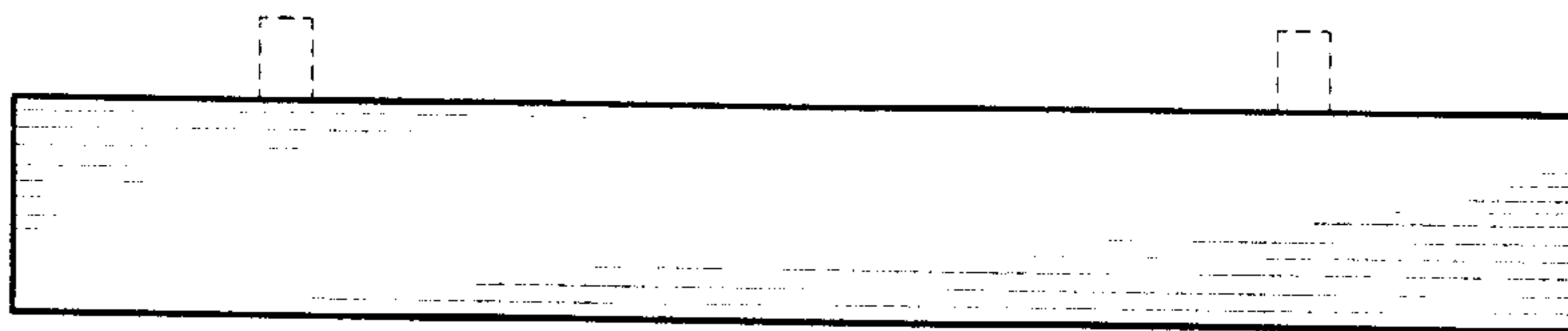


Fig. 8

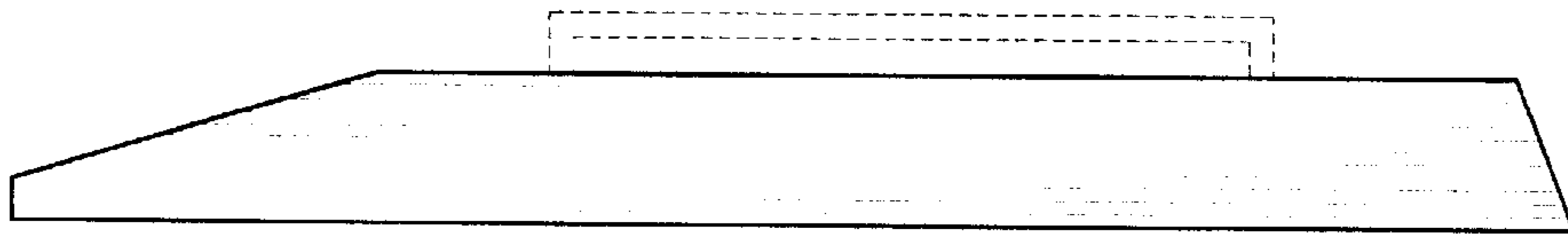


*Fig. 9*

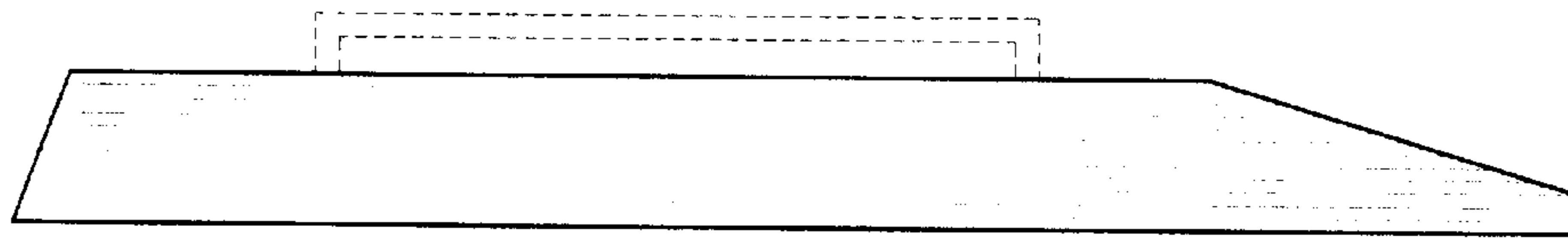


*Fig. 10*

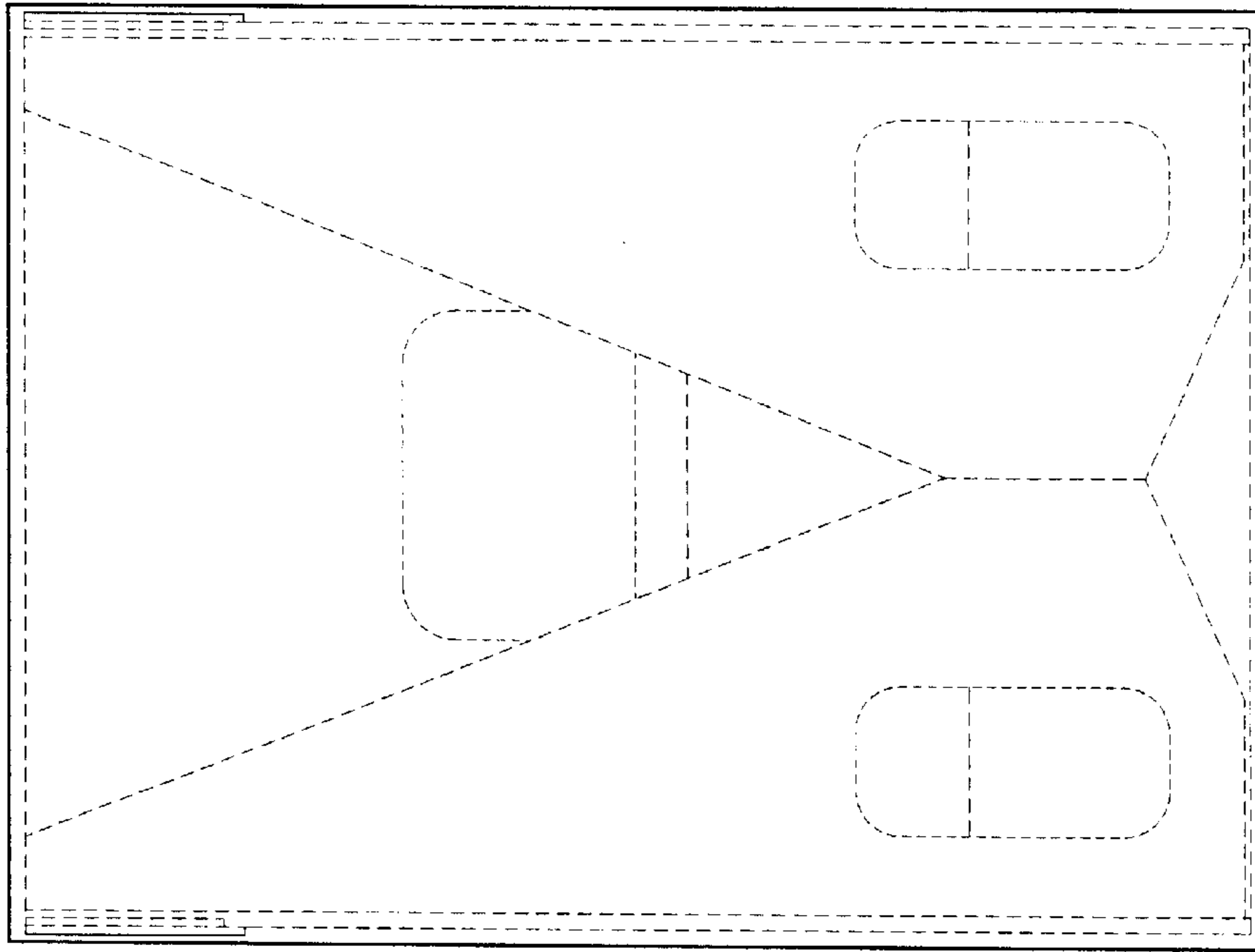




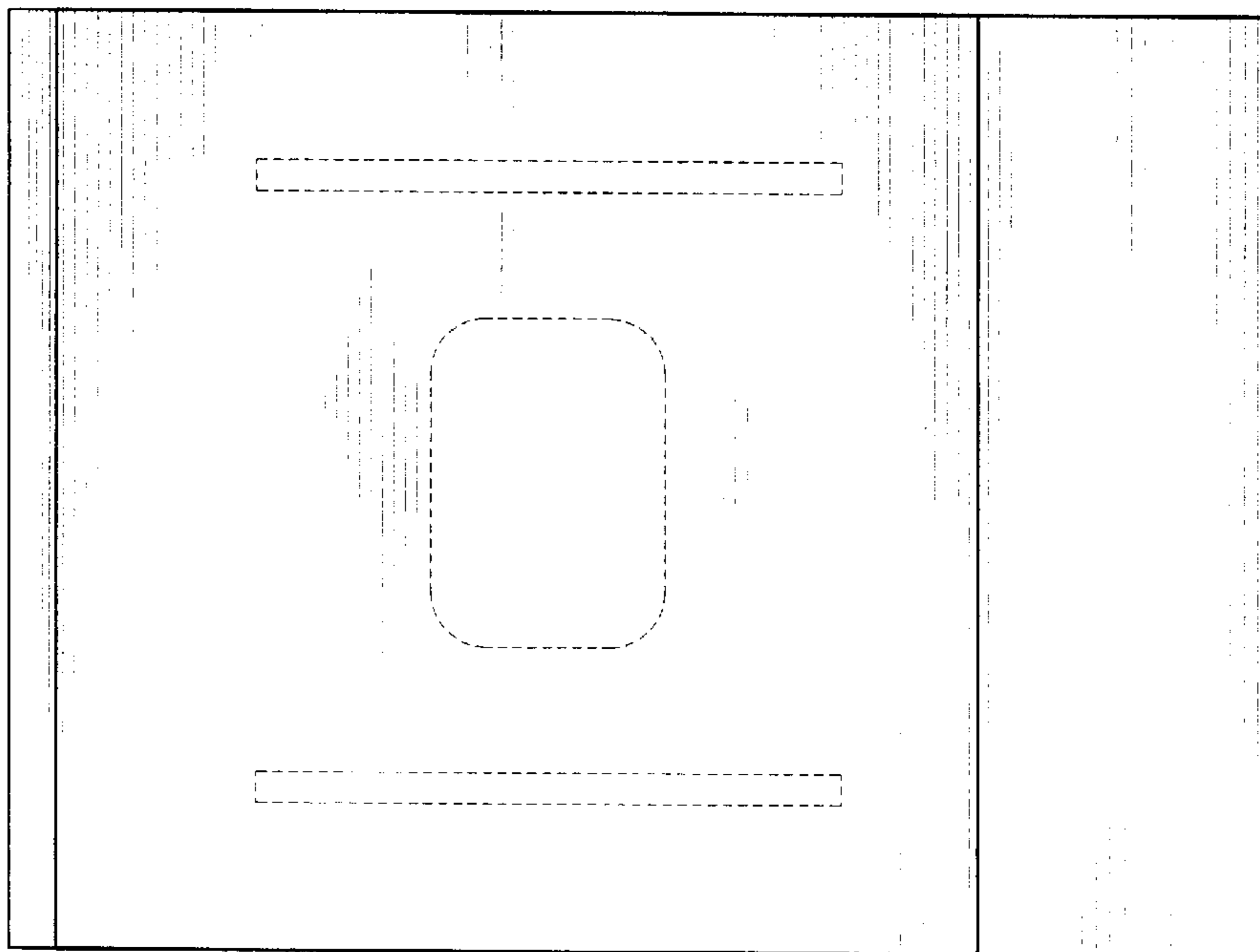
*Fig. 11*



*Fig. 12*



*Fig. 14*



*Fig. 13*