

US00D542728S

(12) **United States Design Patent** (10) **Patent No.:** **US D542,728 S**
Ichinose (45) **Date of Patent:** **** May 15, 2007**

(54) **WHEEL OF AUTOMOBILES**
(75) Inventor: **Kazuhiro Ichinose**, Wako (JP)
(73) Assignee: **Honda Motor Co., Ltd.**, Tokyo (JP)
(**) Term: **14 Years**
(21) Appl. No.: **29/266,966**
(22) Filed: **Oct. 3, 2006**

D504,382 S 4/2005 Elmitt
D504,647 S 5/2005 Leclercq
D507,224 S 7/2005 Pfeiffer
D507,518 S 7/2005 Scheu
D507,775 S 7/2005 Pfeiffer
D519,072 S 4/2006 Komuro
D521,438 S * 5/2006 Nordmann D12/211
D526,610 S * 8/2006 Muzzarelli D12/211
D528,962 S * 9/2006 Blasi D12/211
D532,739 S * 11/2006 Ettensberger D12/211

Related U.S. Application Data

(63) Continuation of application No. 29/251,060, filed on Jan. 4, 2006, now abandoned.

(30) **Foreign Application Priority Data**

Jul. 5, 2005 (JP) 2005-019587

(51) **LOC (8) Cl.** **12-16**
(52) **U.S. Cl.** **D12/211**
(58) **Field of Classification Search** D12/204-213;
301/37.101, 64.101, 65
See application file for complete search history.

(56) **References Cited**

U.S. PATENT DOCUMENTS

D411,502 S 6/1999 Chung
D432,974 S 10/2000 Jablonski
D447,106 S 8/2001 Chung
D457,478 S 5/2002 Minamisawa
D488,420 S 4/2004 Murkett et al.

FOREIGN PATENT DOCUMENTS

JP HC13006667 8/2001
JP HA16004570 4/2004

* cited by examiner

Primary Examiner—Stacia Cadmus
(74) *Attorney, Agent, or Firm*—Arent Fox LLP

(57) **CLAIM**

The ornamental design for a wheel of automobiles, as shown and described.

DESCRIPTION

FIG. 1 is a front view of a wheel of automobiles showing my new design; and, FIG. 2 is a front perspective view thereof. The top, bottom, side and rear do not include surface ornamentation and are not part of the claimed design. The broken line showing of environment is for illustrative purposes only and forms no part of the claimed design.

1 Claim, 1 Drawing Sheet

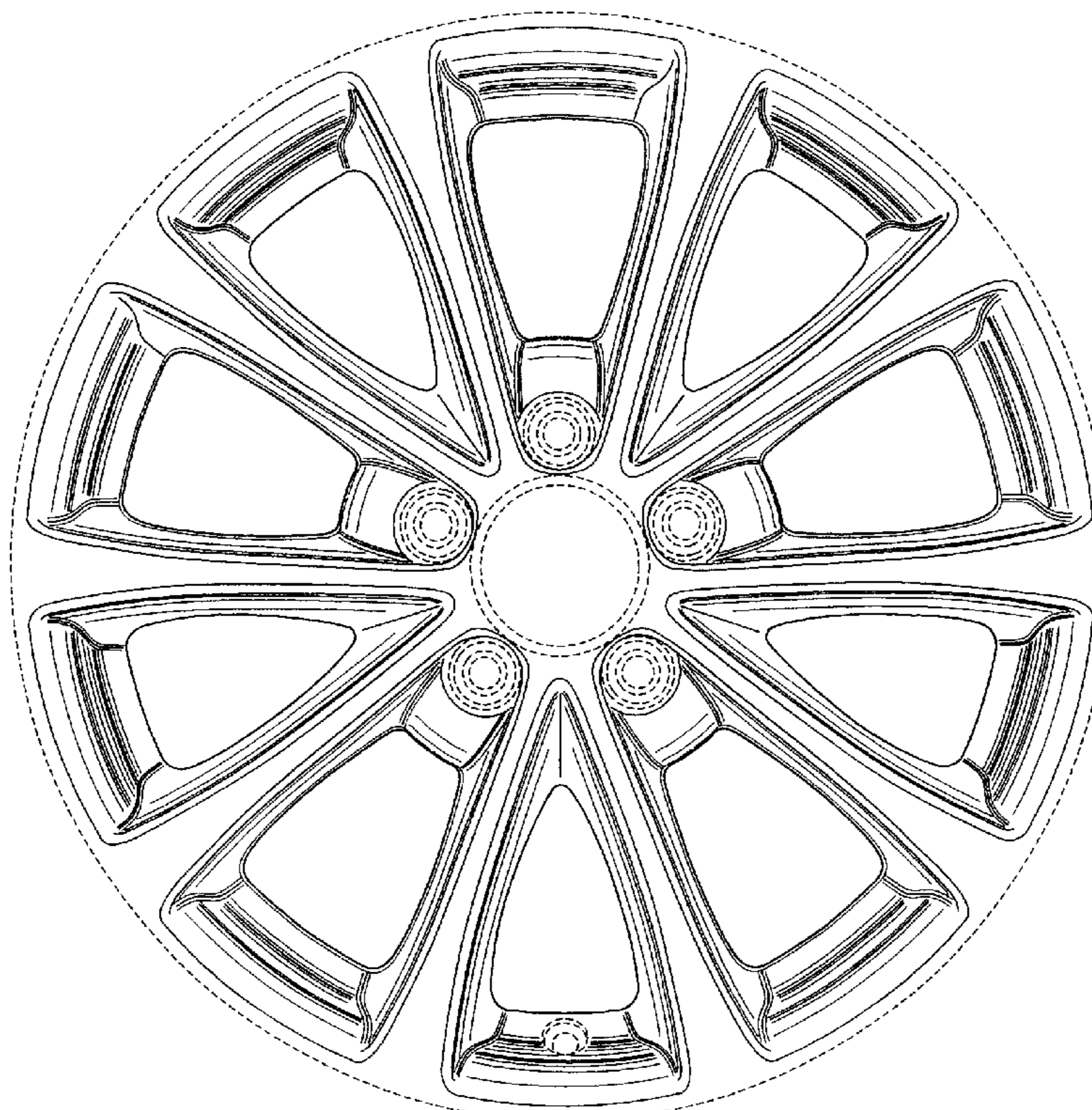


FIG.1

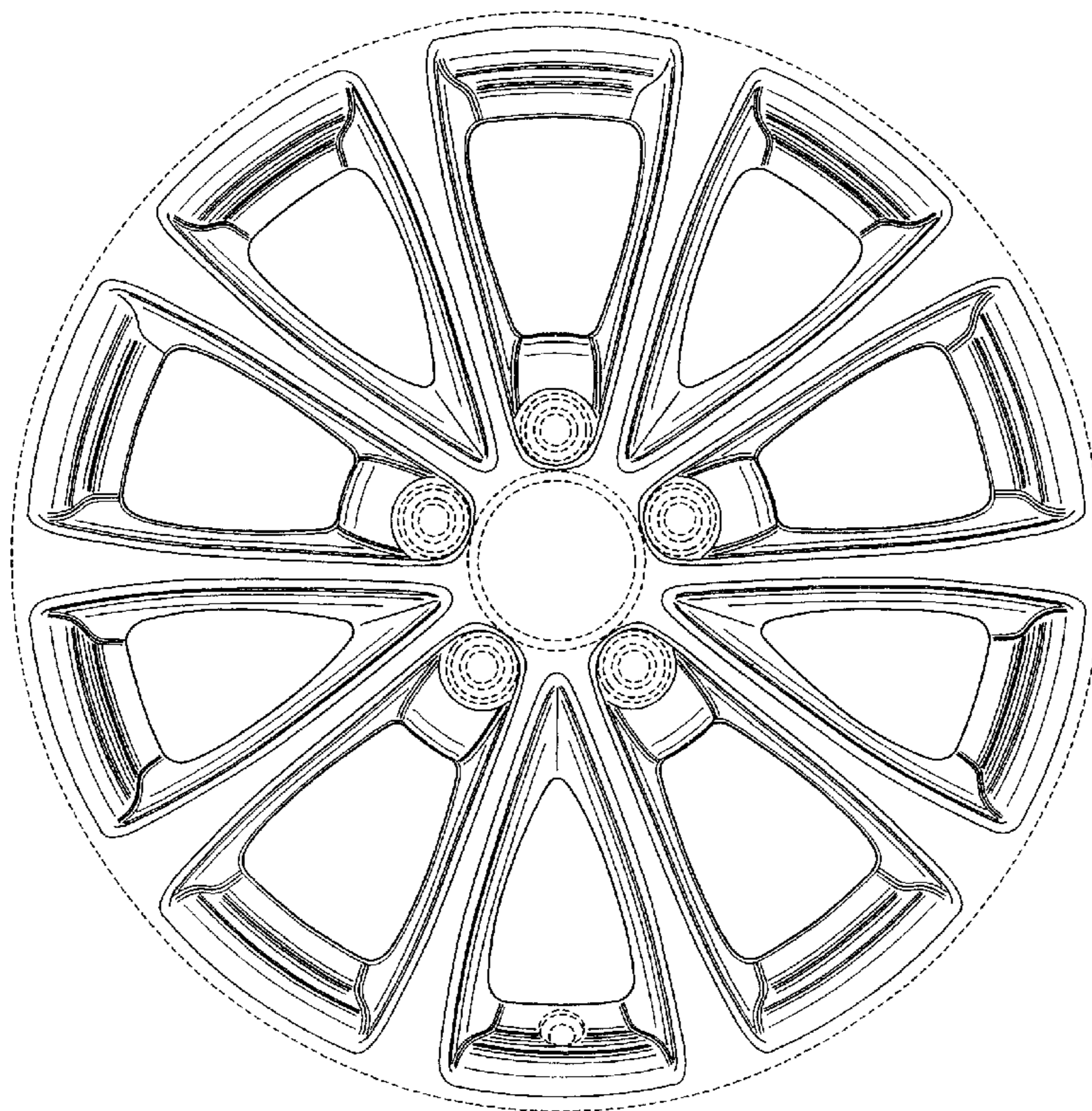


FIG.2

