

US00D542722S

(12) **United States Design Patent**
Day et al.

(10) **Patent No.:** **US D542,722 S**
(45) **Date of Patent:** **** May 15, 2007**

(54) **GAUGE DISPLAY MOUNT**

(75) Inventors: **Gregory E. Day**, Great Falls, VA (US);
Dwight C. Green, Ashburn, VA (US)

(73) Assignee: **Gauge Works, LLC**, Dulles, VA (US)

(**) Term: **14 Years**

(21) Appl. No.: **29/219,308**

(22) Filed: **Dec. 15, 2004**

(51) **LOC (8) Cl.** **12-16**

(52) **U.S. Cl.** **D12/192**

(58) **Field of Classification Search** D12/192;
280/72, DIG. 5; 296/70, 190, 191; D10/103
See application file for complete search history.

(56) **References Cited**

U.S. PATENT DOCUMENTS

D476,276 S	*	6/2003	Day	D12/192
D484,081 S	*	12/2003	Day	D12/192
D486,435 S	*	2/2004	Day et al.	D12/192
D491,825 S	*	6/2004	Day et al.	D12/192
D492,213 S	*	6/2004	Day et al.	D12/192
D496,617 S	*	9/2004	Day et al.	D12/192
D497,336 S	*	10/2004	James	D12/192
D514,994 S	*	2/2006	Day	D12/192

* cited by examiner

Primary Examiner—Antoine D. Davis

(74) *Attorney, Agent, or Firm*—Williams Mullen, P.C.;
Thomas Bergert

(57) **CLAIM**

The ornamental design for a gauge display mount, as shown and described.

DESCRIPTION

FIG. 1 is a top left front perspective view of a gauge display mount showing our new design.

FIG. 2 is a bottom right front perspective view of the gauge display mount of FIG. 1;

FIG. 3 is a top plan view of the gauge display mount of FIG. 1;

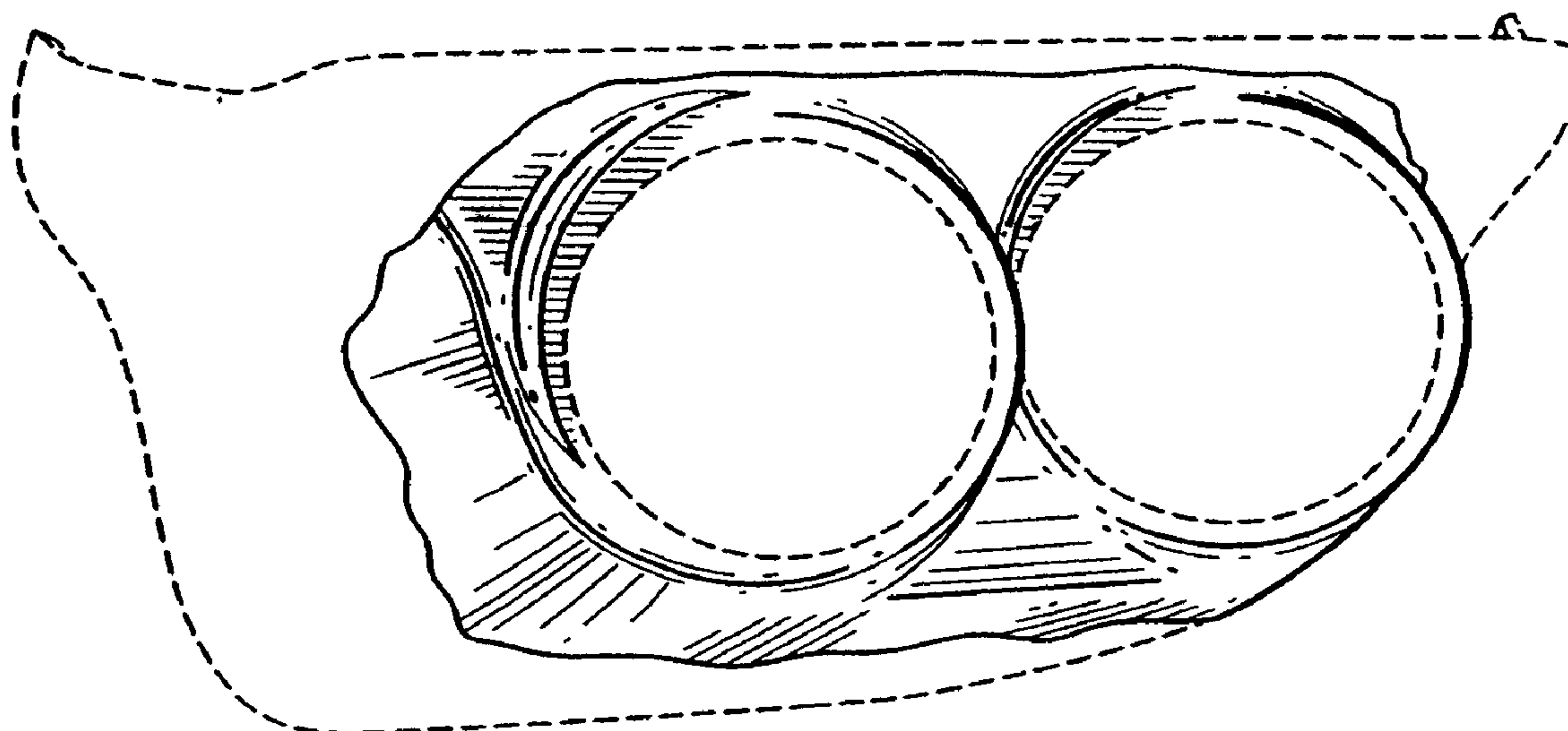
FIG. 4 is a rear elevational view of the gauge display mount of FIG. 1;

FIG. 5 is a left side elevational view of the gauge display mount of FIG. 1; and,

FIG. 6 is a right side elevational view of the gauge display mount of FIG. 1.

The broken line showing of gauge display mount extension and support base is for illustrative purposes only and forms no part of the claimed design.

1 Claim, 5 Drawing Sheets



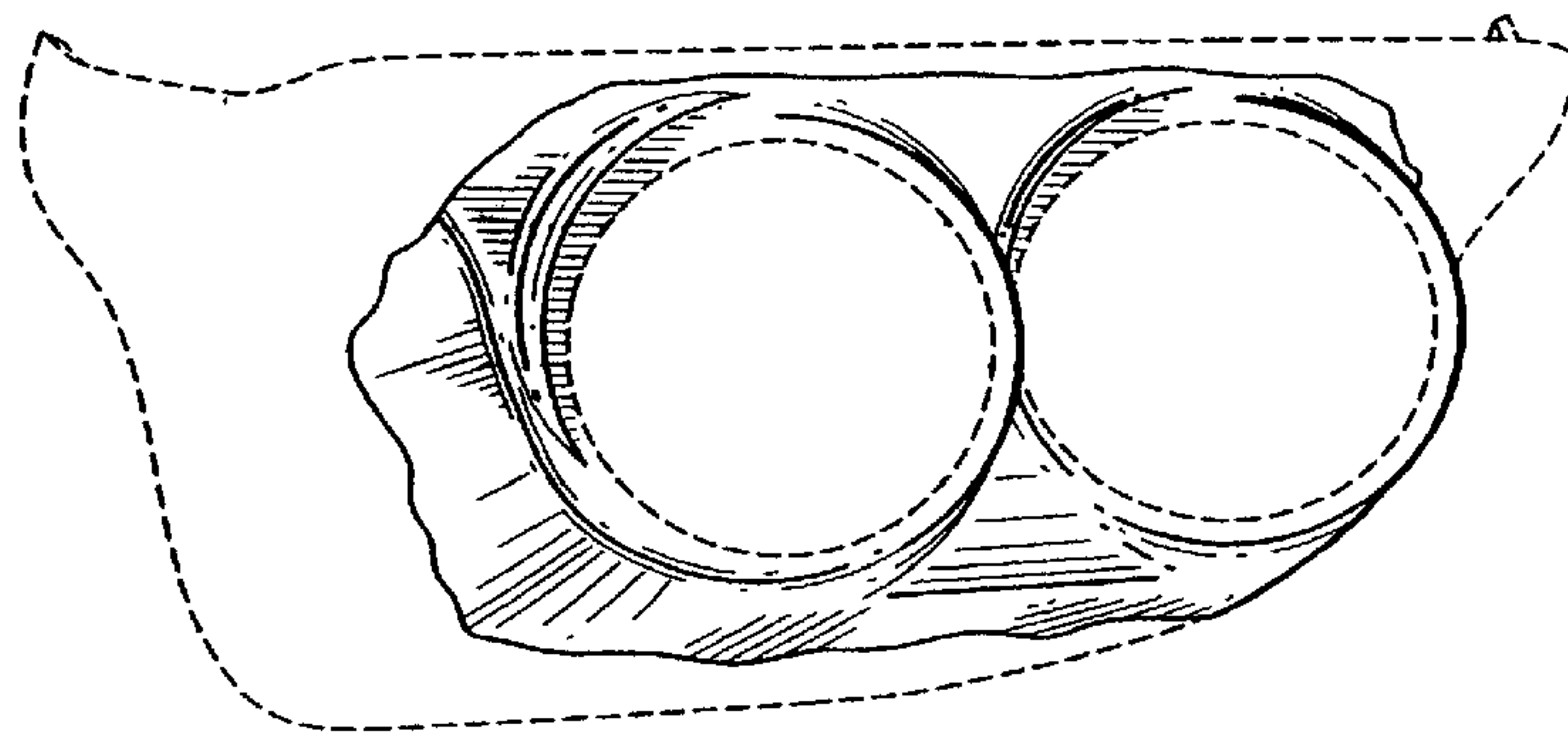


FIG. 1

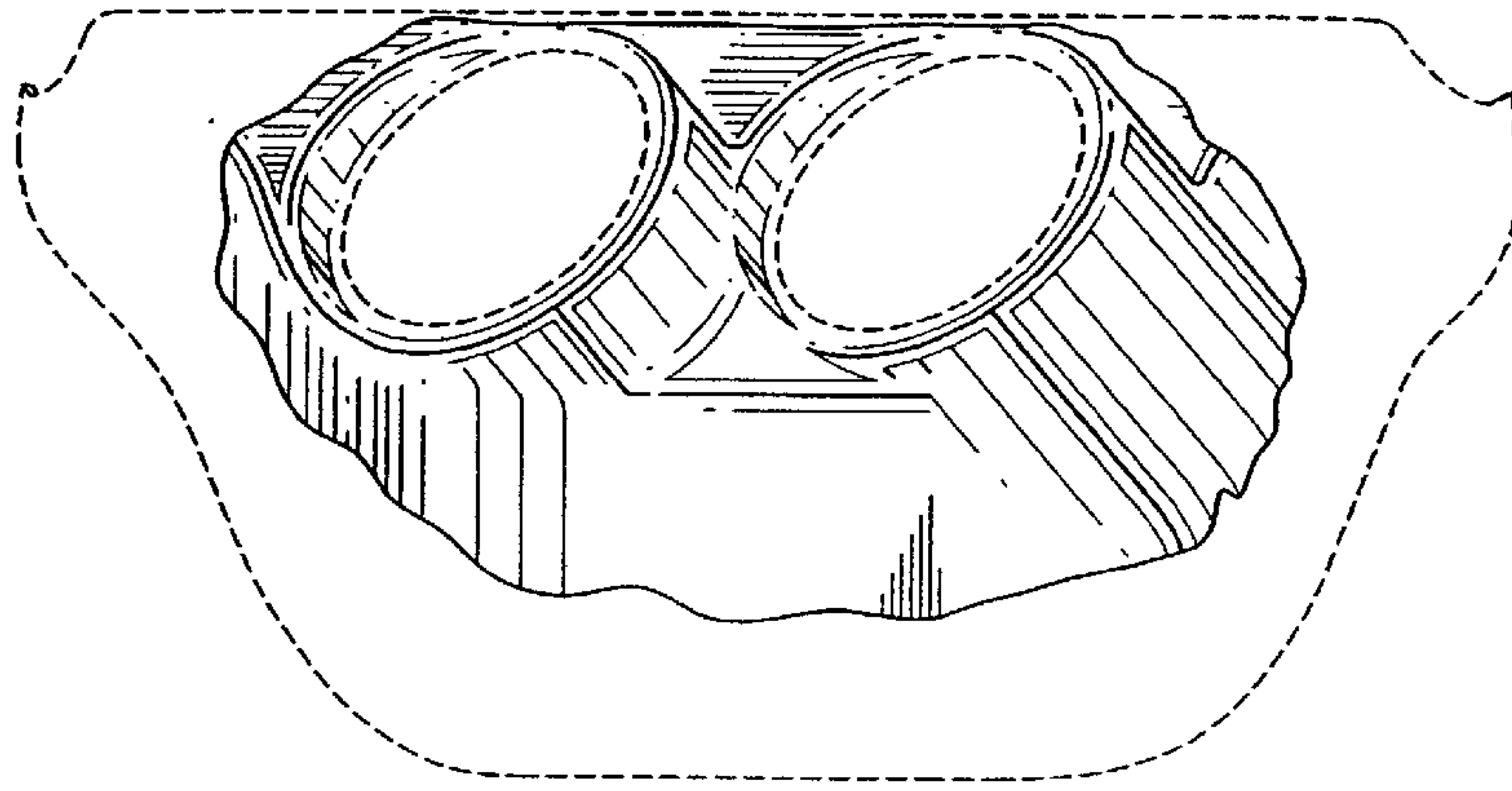


FIG. 2

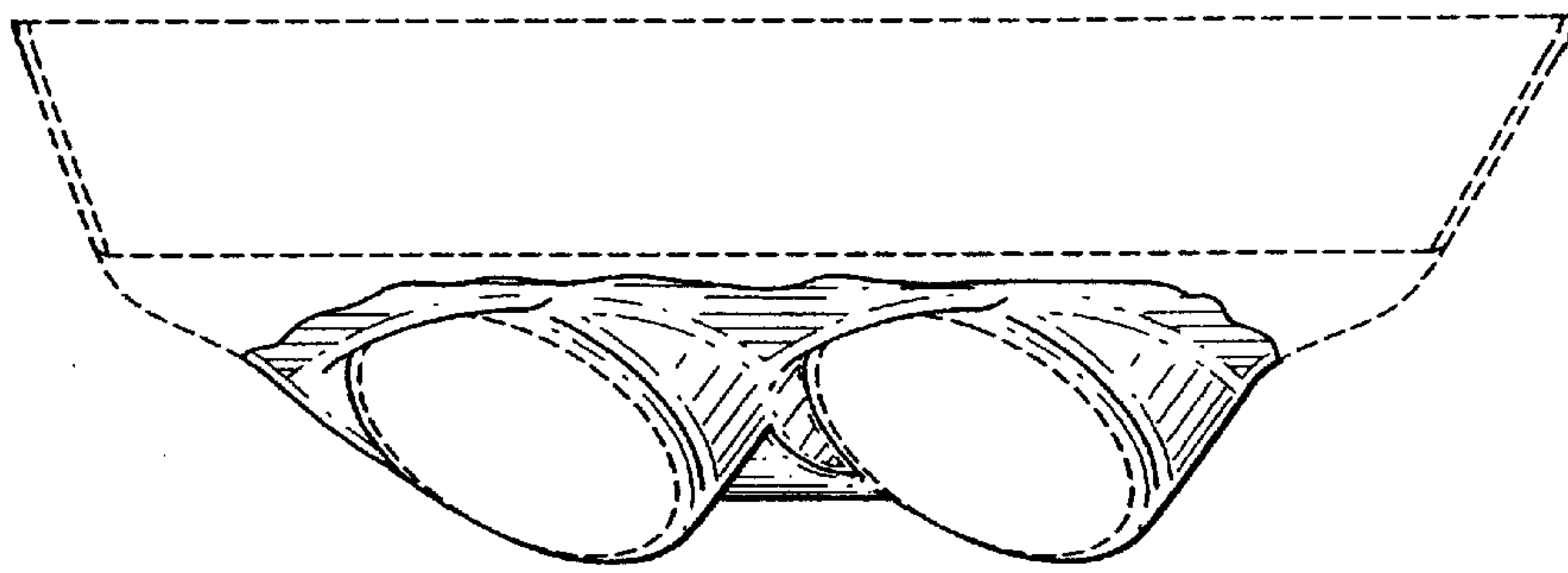


FIG.3

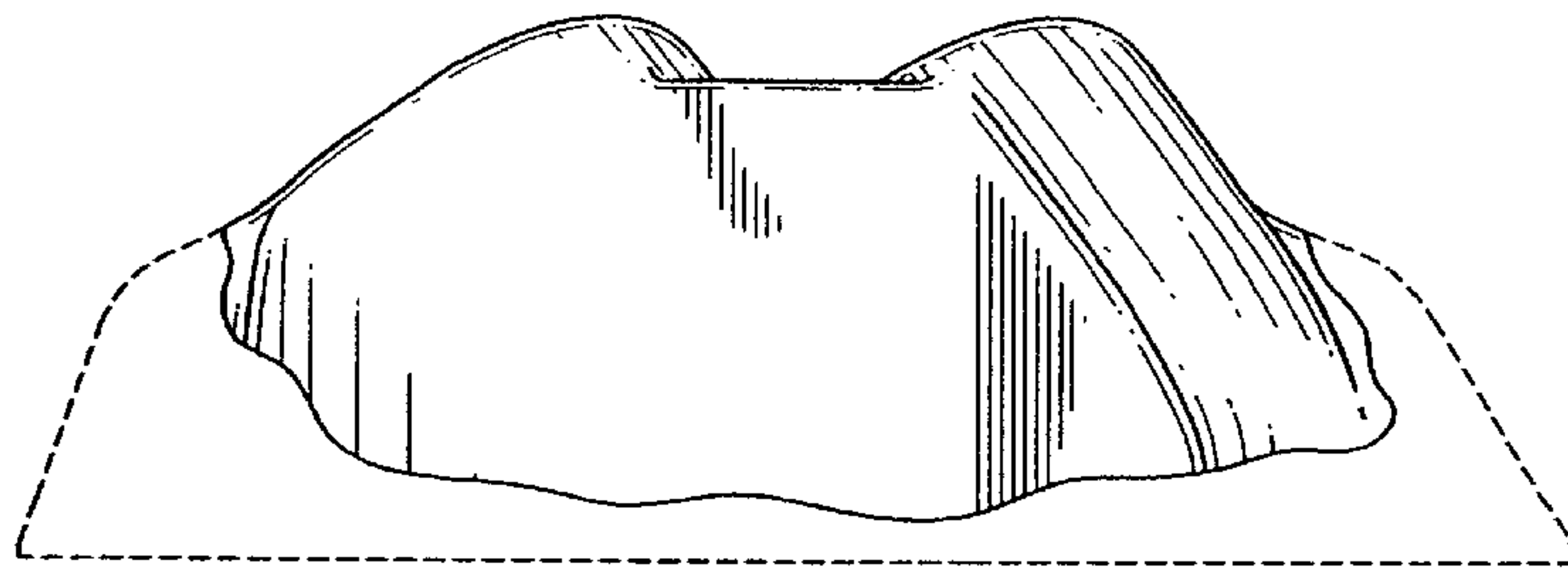


FIG.4

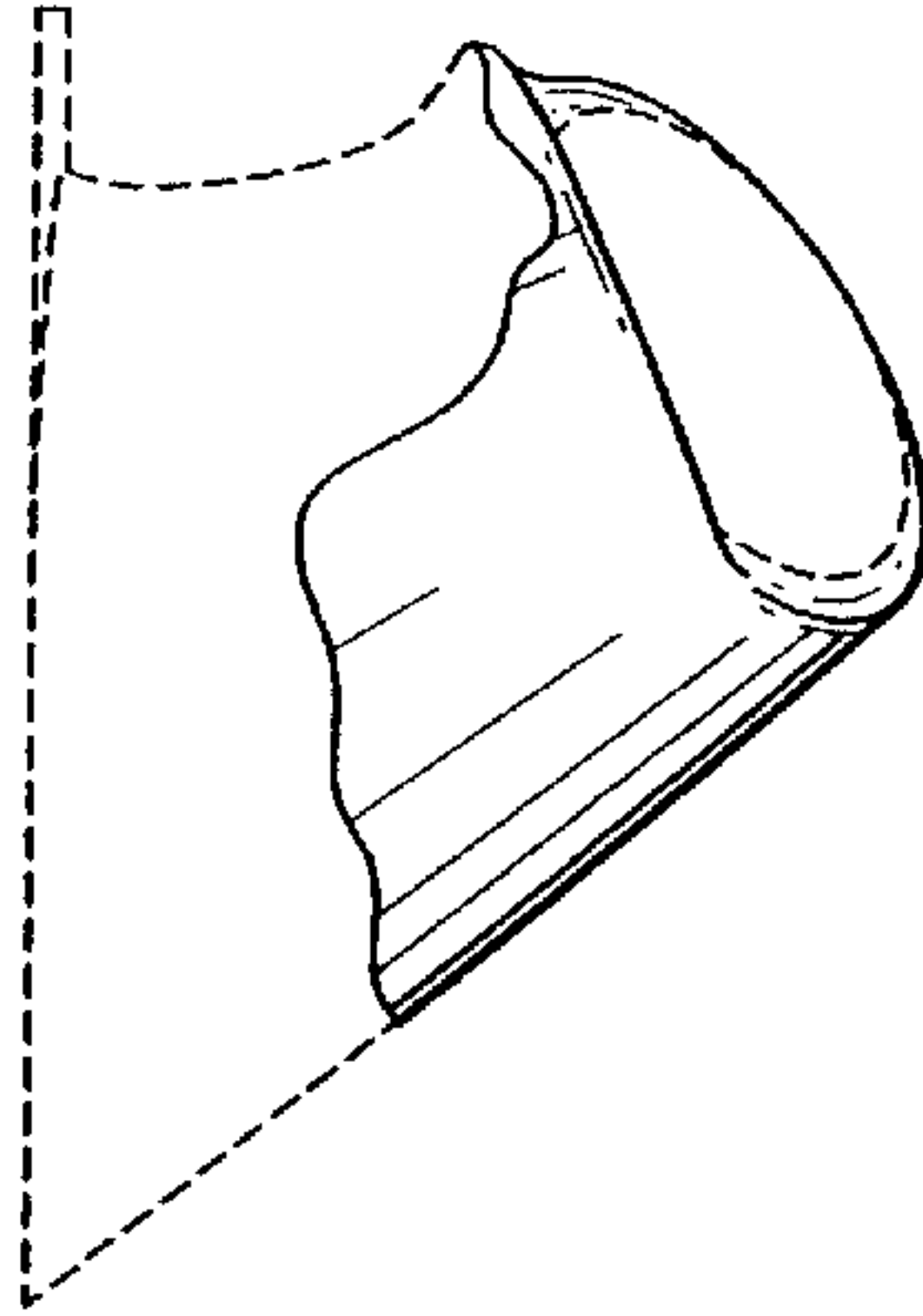


FIG. 5

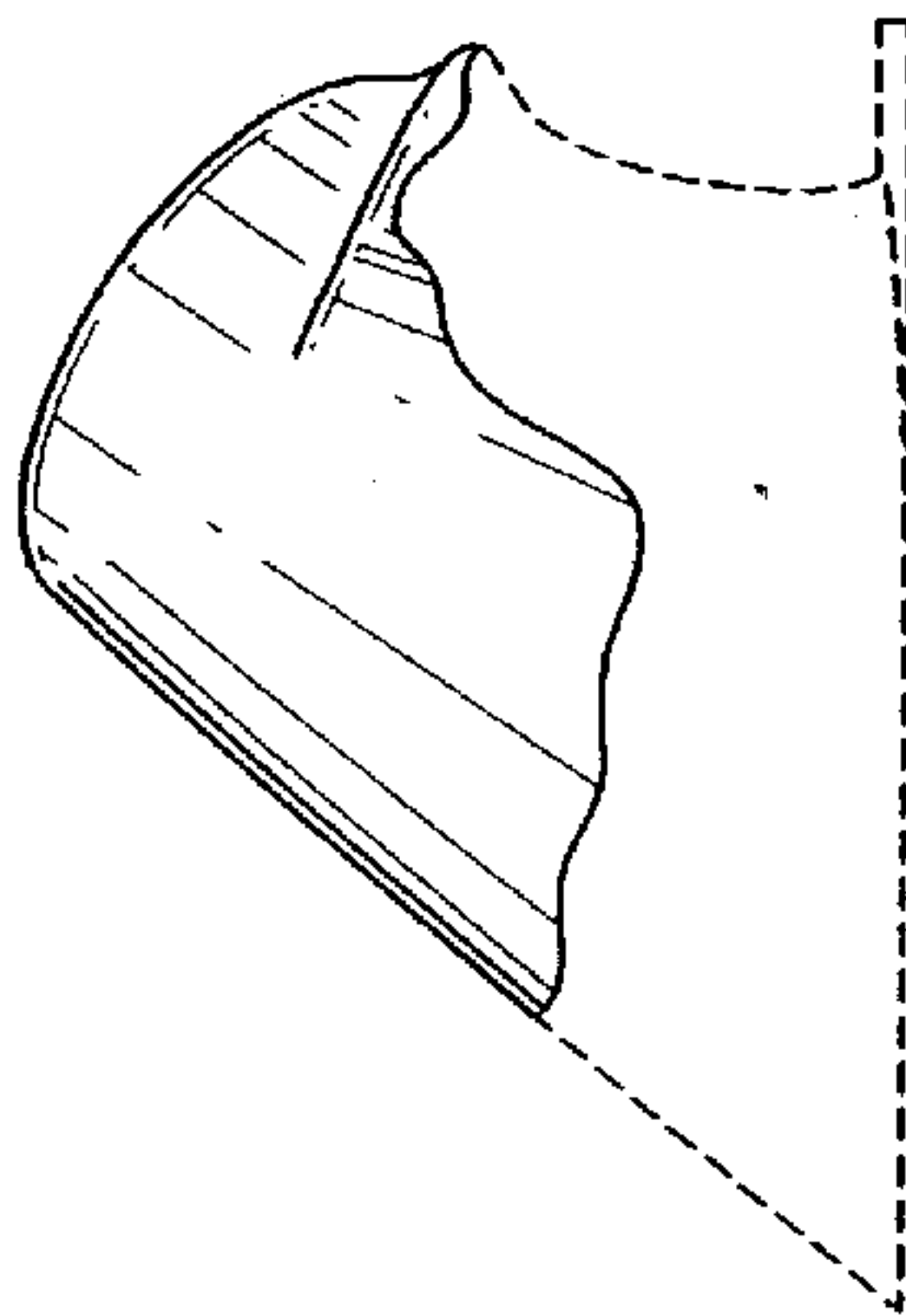


FIG. 6