

US00D542720S

(12) **United States Design Patent**  
**Schmidt et al.**

(10) **Patent No.:** **US D542,720 S**

(45) **Date of Patent:** **\*\* May 15, 2007**

(54) **MULTI-CURVE MIRROR**

D432,473 S \* 10/2000 Sieber ..... D12/187

(75) Inventors: **William Schmidt**, Newport, MI (US);  
**Daniel M. Swain**, Southgate, MI (US)

\* cited by examiner

*Primary Examiner*—Melody N. Brown

(73) Assignee: **Mirror Lite**, Rockwood, MI (US)

(74) *Attorney, Agent, or Firm*—John A. Artz, Esq.; Artz & Artz, P.C.

(\*\*) Term: **14 Years**

(57) **CLAIM**

(21) Appl. No.: **29/214,659**

The ornamental design for a multi-curve mirror, as shown and described.

(22) Filed: **Oct. 6, 2004**

**DESCRIPTION**

(51) **LOC (8) Cl.** ..... **12-16**

FIG. 1 is a top plan view of a multi-curve mirror showing our new design;

(52) **U.S. Cl.** ..... **D12/187**

FIG. 2 is a cross sectional view taken along line 2—2 in FIG. 1;

(58) **Field of Classification Search** ..... D12/187—189;  
359/838—851, 855—868, 871—881

FIG. 3 is another cross sectional view taken along line 3—3 in FIG. 1;

See application file for complete search history.

FIG. 4 is a bottom plan view thereof; and,

(56) **References Cited**

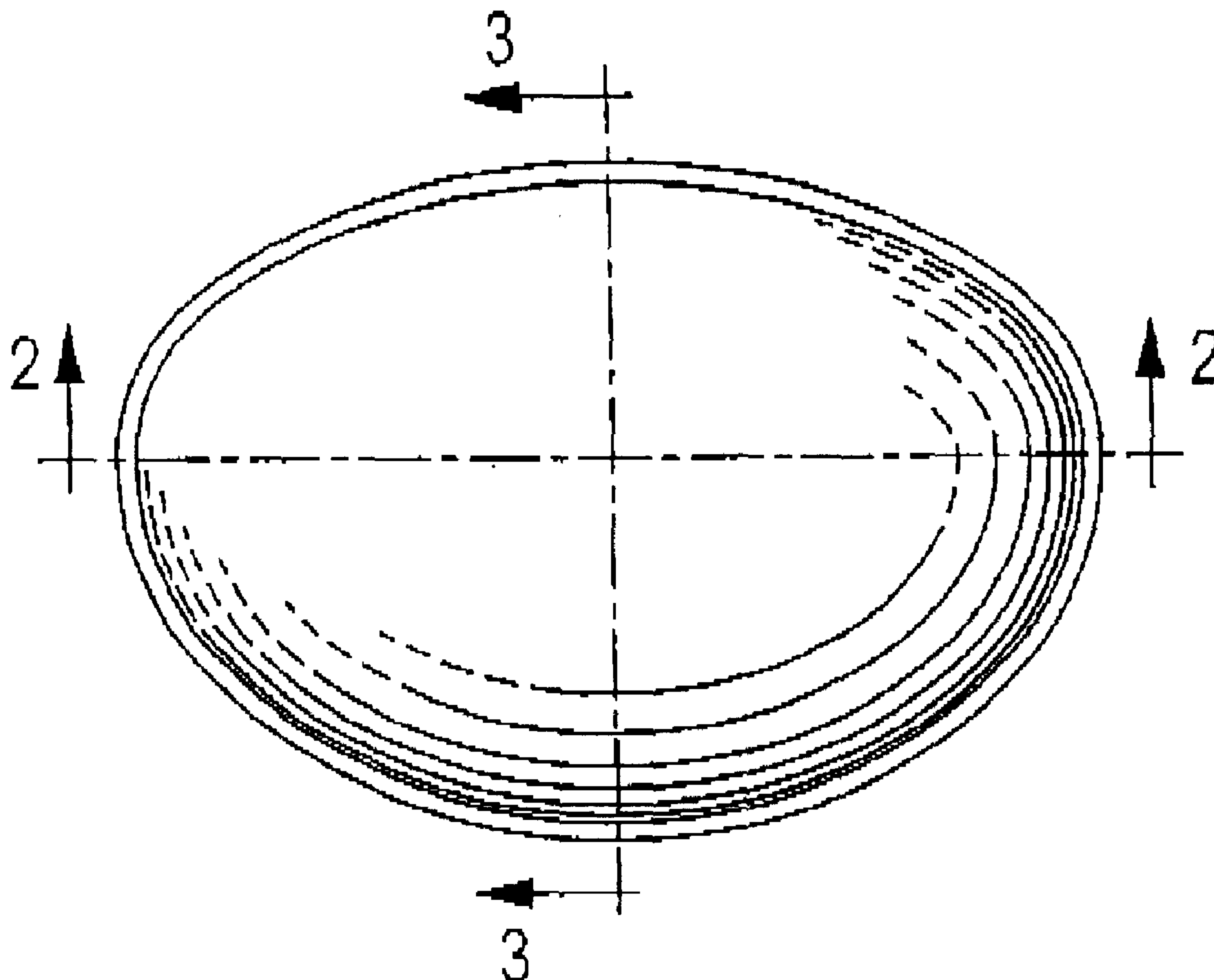
FIG. 5 is a side elevation view thereof.

**U.S. PATENT DOCUMENTS**

The broken lines shown in FIGS. 4 and 5 are for illustrative purposes only and form no part of the claimed design.

- D365,073 S \* 12/1995 Nagano ..... D12/187
- D386,472 S \* 11/1997 Eisenbraun et al. .... D12/187
- D397,976 S \* 9/1998 Otto ..... D12/187

**1 Claim, 1 Drawing Sheet**



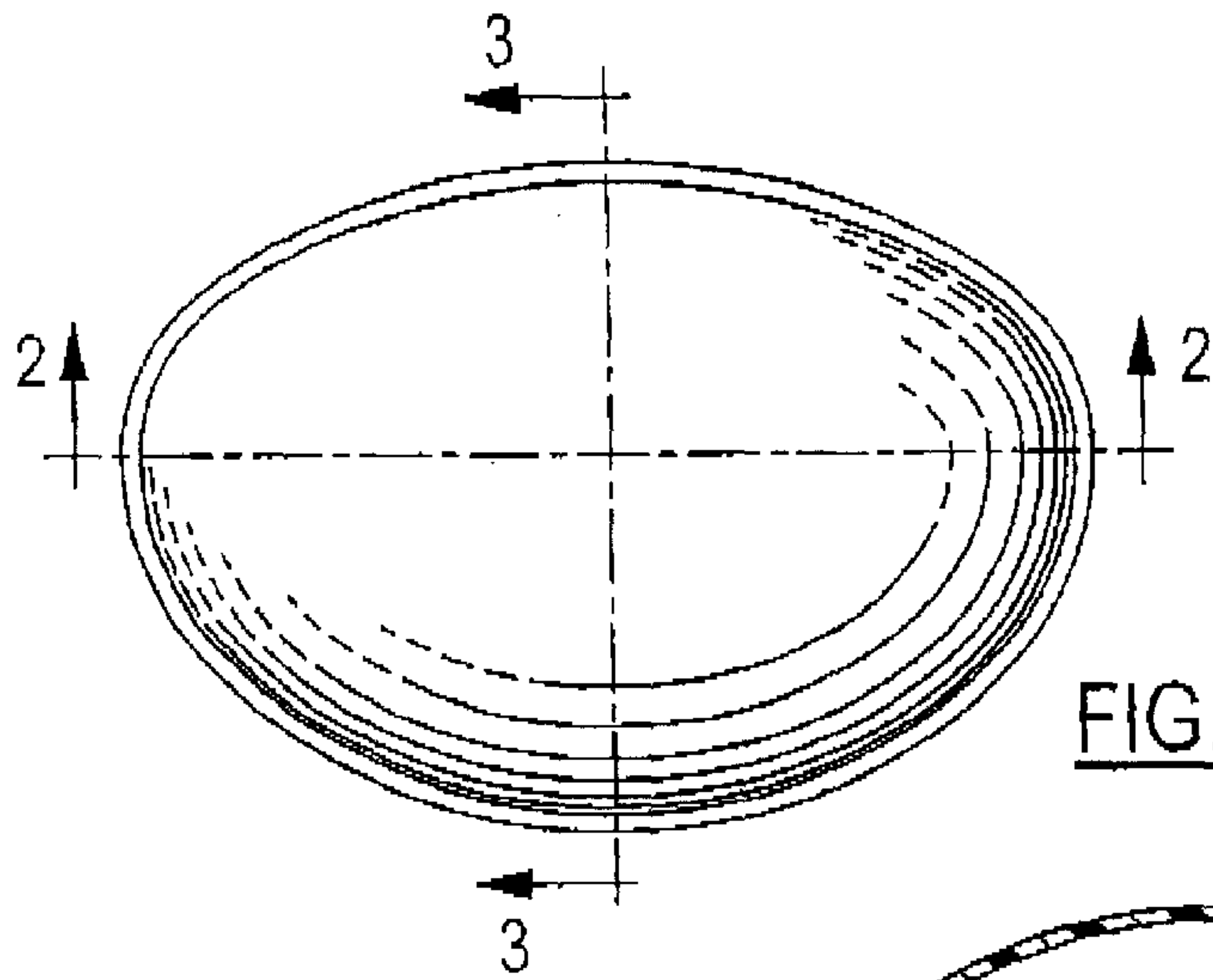


FIG. 1

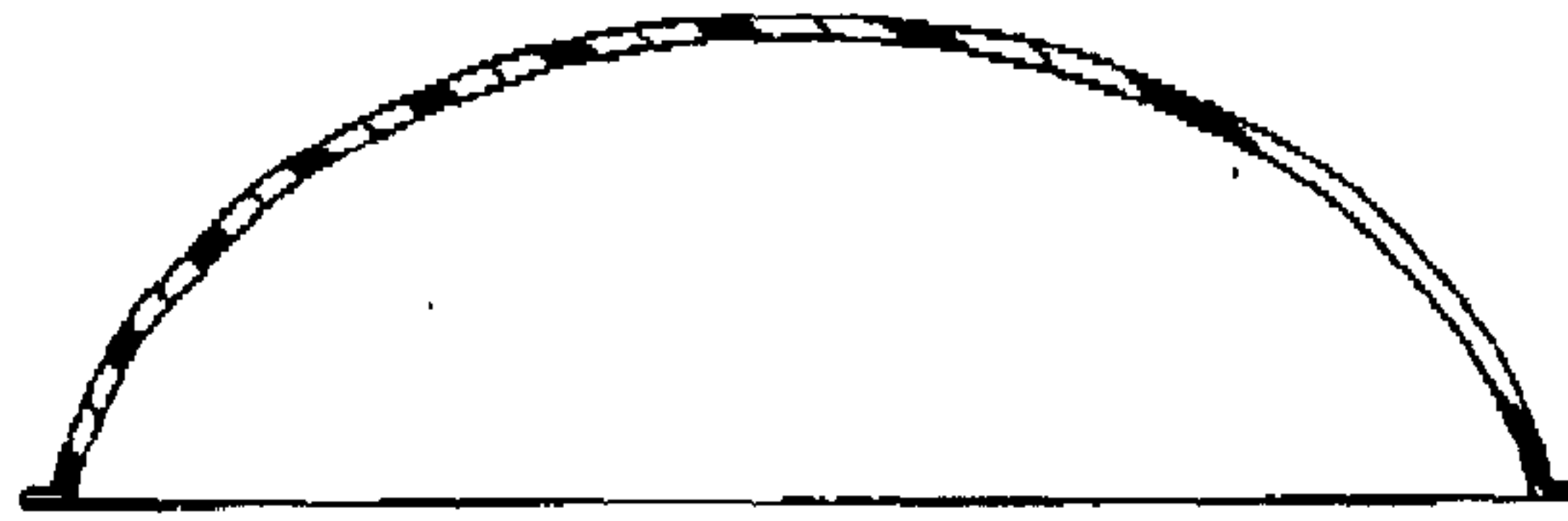


FIG. 2

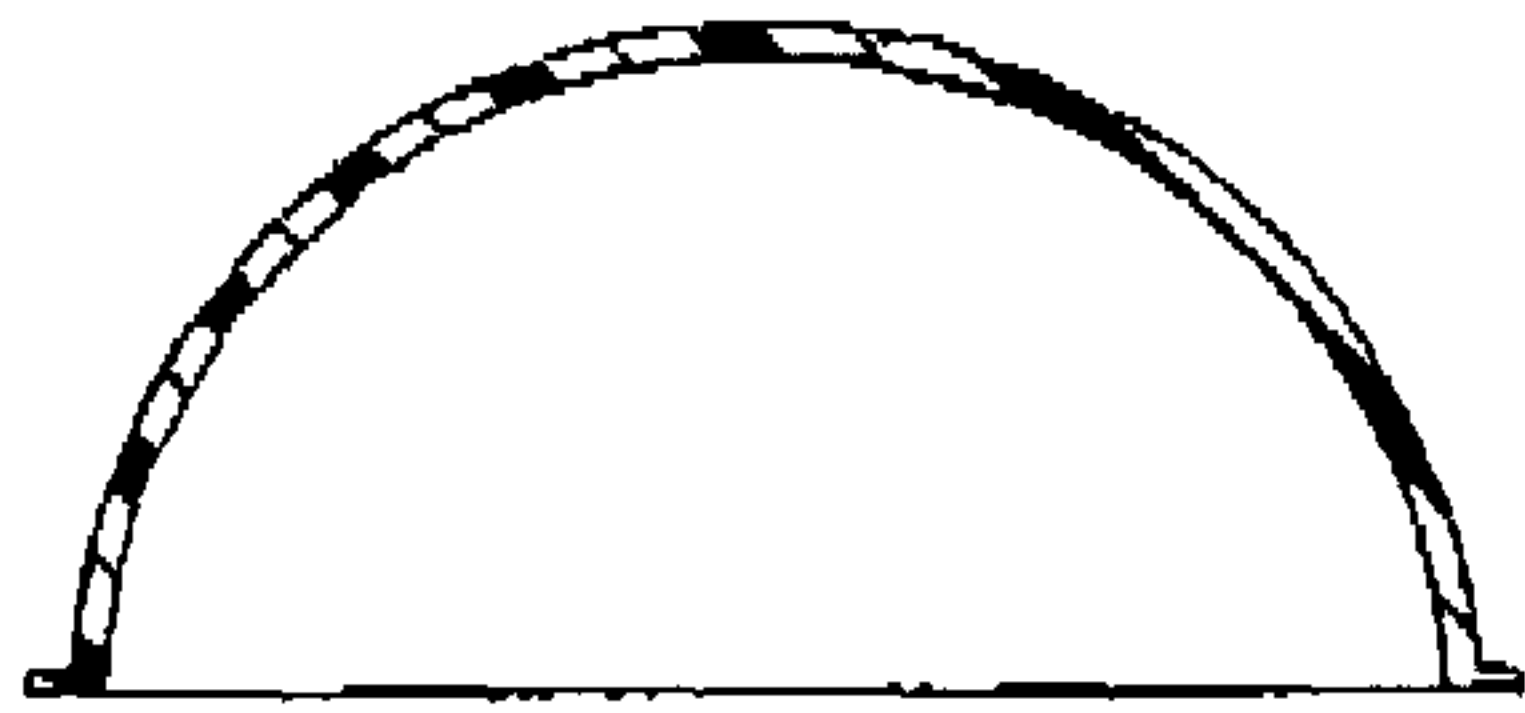


FIG. 3

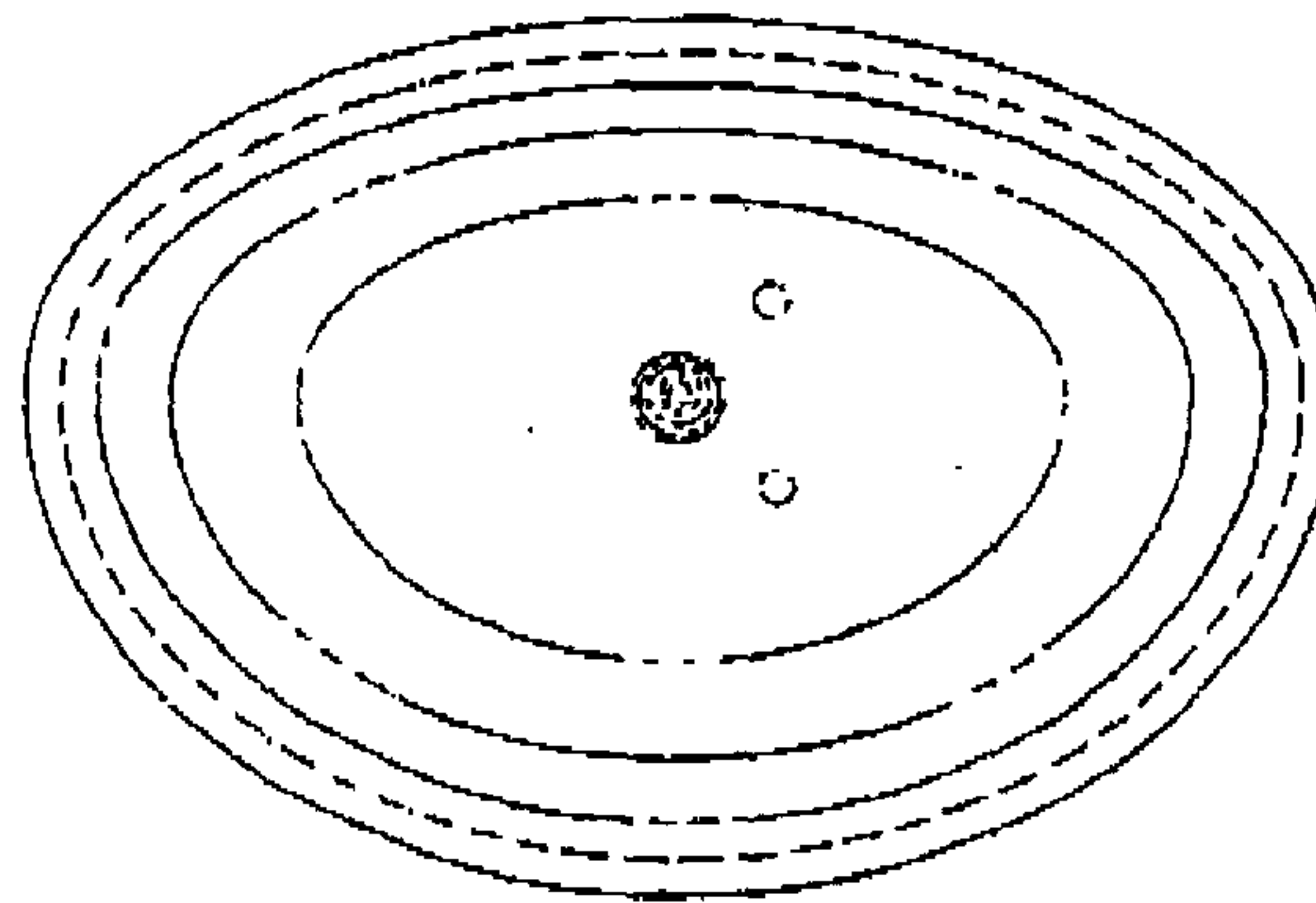


FIG. 4

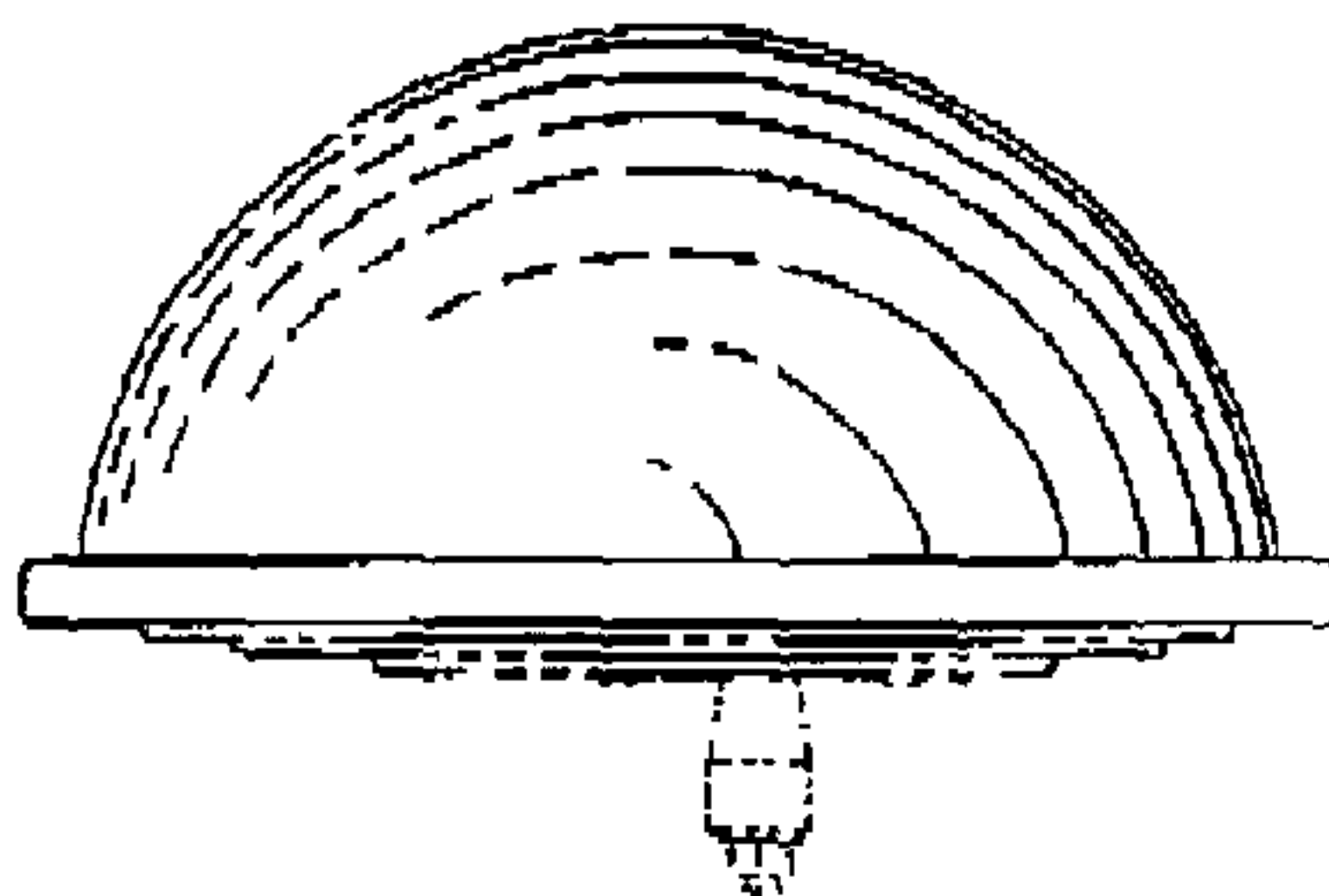


FIG. 5