



US00D542716S

(12) **United States Design Patent**
Warren

(10) **Patent No.:** **US D542,716 S**

(45) **Date of Patent:** **** May 15, 2007**

(54) **BOAT TRAILER**

(76) Inventor: **William Travis Warren**, 704 N.
Chaparral, Burnet, TX (US) 78611

(**) Term: **14 Years**

(21) Appl. No.: **29/241,731**

(22) Filed: **Oct. 31, 2005**

(51) **LOC (8) Cl.** **12-10**

(52) **U.S. Cl.** **D12/101**

(58) **Field of Classification Search** D12/101-106;
296/184.1, 204; 280/789-790, 781, 795,
280/63, 556, 462, 483, 482, 414.1-414.5;
414/344, 270, 529, 483

See application file for complete search history.

(56) **References Cited**

U.S. PATENT DOCUMENTS

3,735,998	A	*	5/1973	Green	280/789
D267,559	S	*	1/1983	Wormser	D12/101
D292,785	S	*	11/1987	Warren	D12/101
D342,045	S	*	12/1993	Kivett	D12/101
D346,772	S	*	5/1994	Godbersen	D12/101
D368,053	S	*	3/1996	Gallagher	D12/101

D390,814	S	*	2/1998	Weinacht	D12/101
D403,276	S	*	12/1998	Neault et al.	D12/101
D461,747	S	*	8/2002	Martin	D12/101
D480,022	S	*	9/2003	Higginson	D12/101
D510,057	S	*	9/2005	Van Buuren	D12/101

* cited by examiner

Primary Examiner—Stacia Cadmus

(74) *Attorney, Agent, or Firm*—Howrey LLP

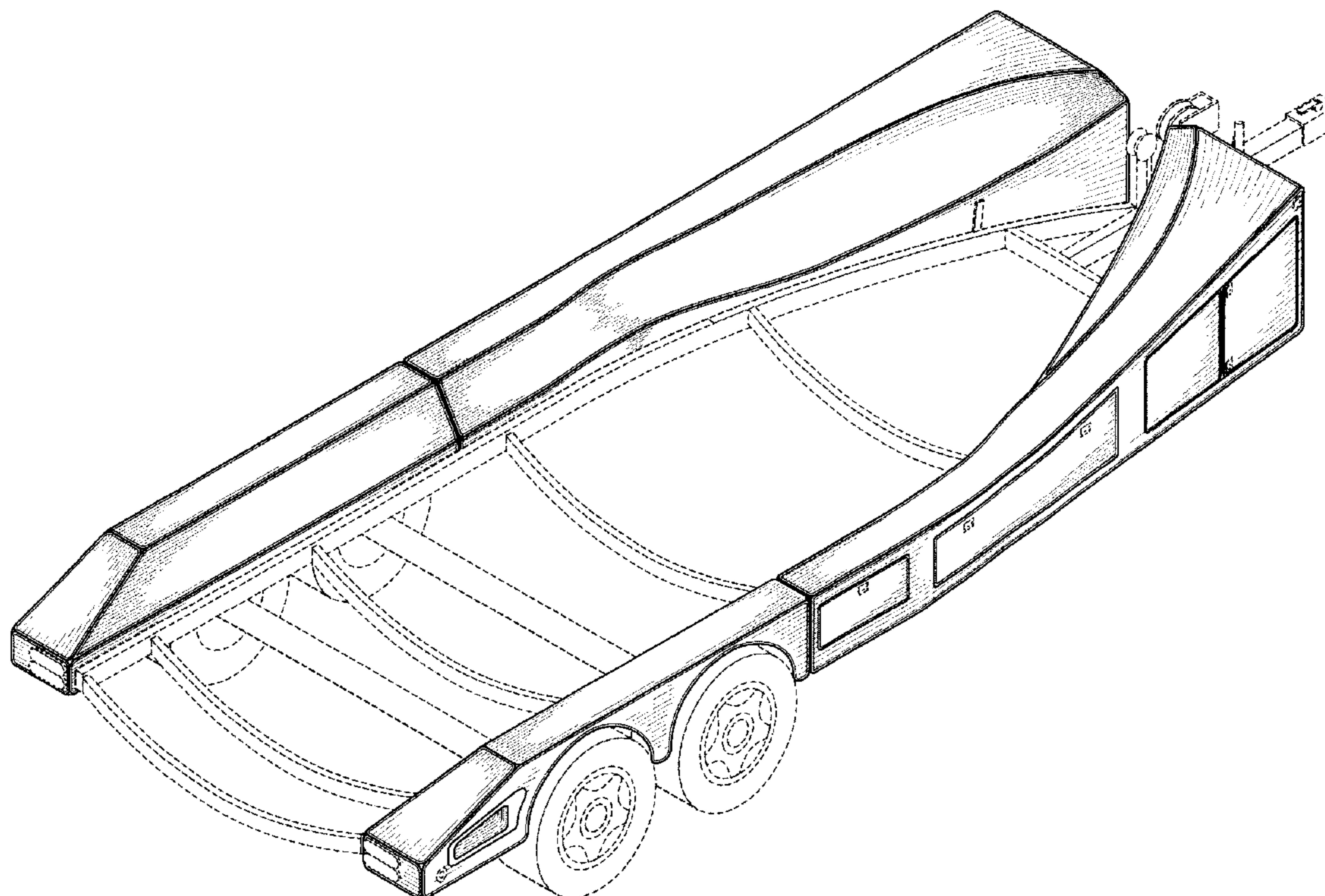
(57) **CLAIM**

The ornamental design for a boat trailer, as shown and described.

DESCRIPTION

FIG. 1 is a back and right side perspective view of the boat trailer of the present invention; FIG. 2 shows a right side view of the boat trailer of FIG. 1; FIG. 3 shows a left side view of the boat trailer of FIG. 1; FIG. 4 shows a back view of the boat trailer of FIG. 1; FIG. 5 shows a front view of the boat trailer of FIG. 1; FIG. 6 shows a top view of the boat trailer of FIG. 1; and, FIG. 7 shows a bottom view of the boat trailer of FIG. 1. The broken line showing of environment is for illustrative purposes only and forms no part of the claimed design.

1 Claim, 5 Drawing Sheets



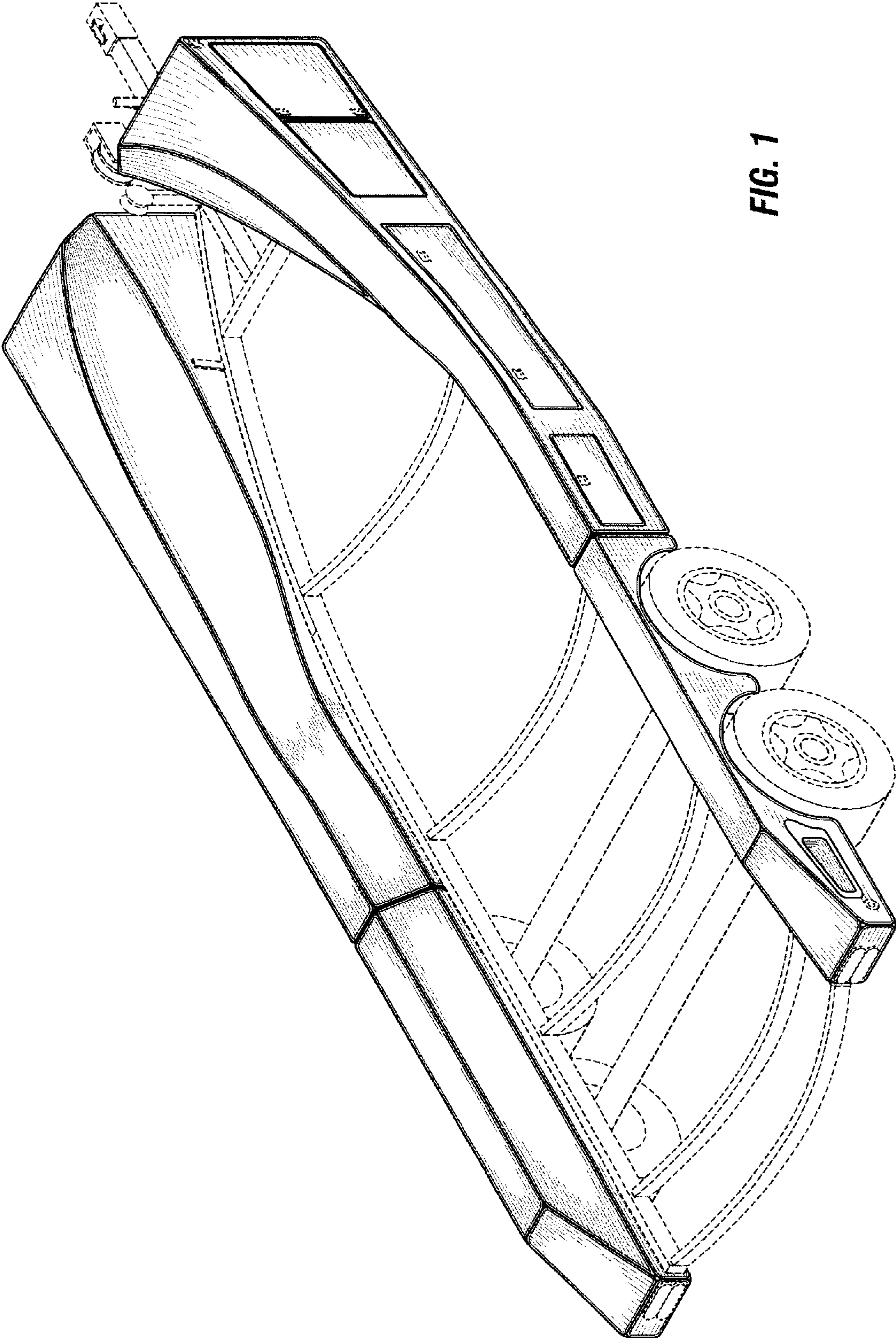


FIG. 1

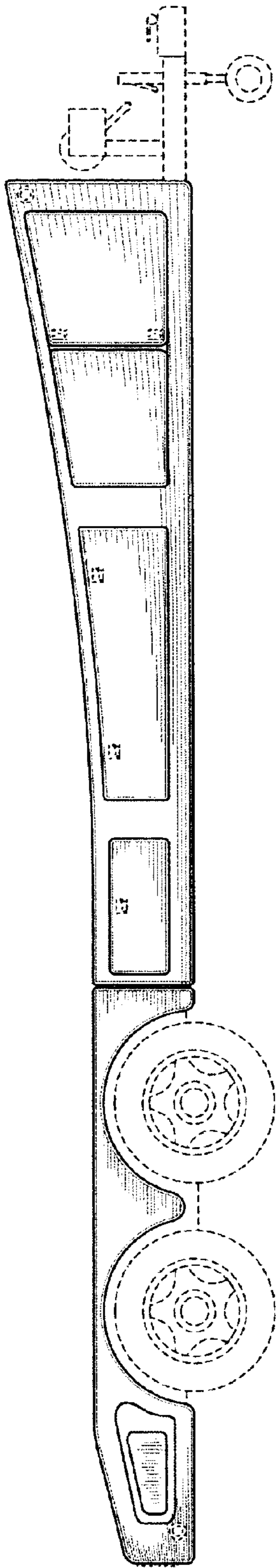


FIG. 2

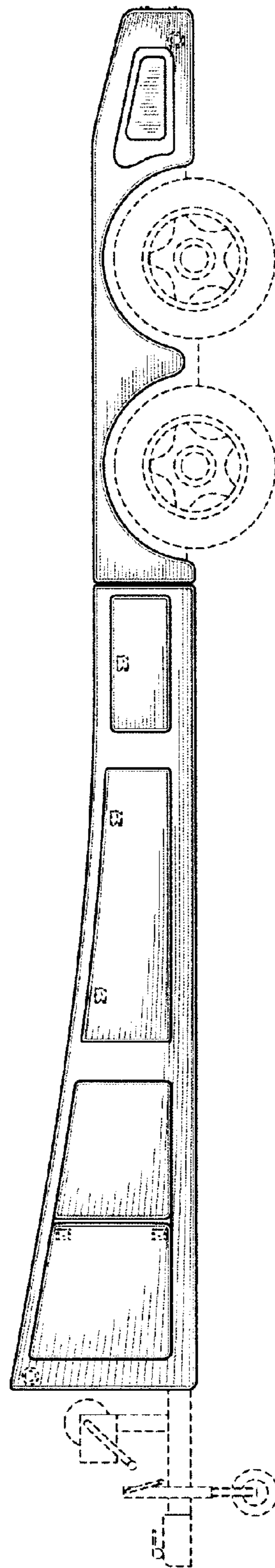


FIG. 3

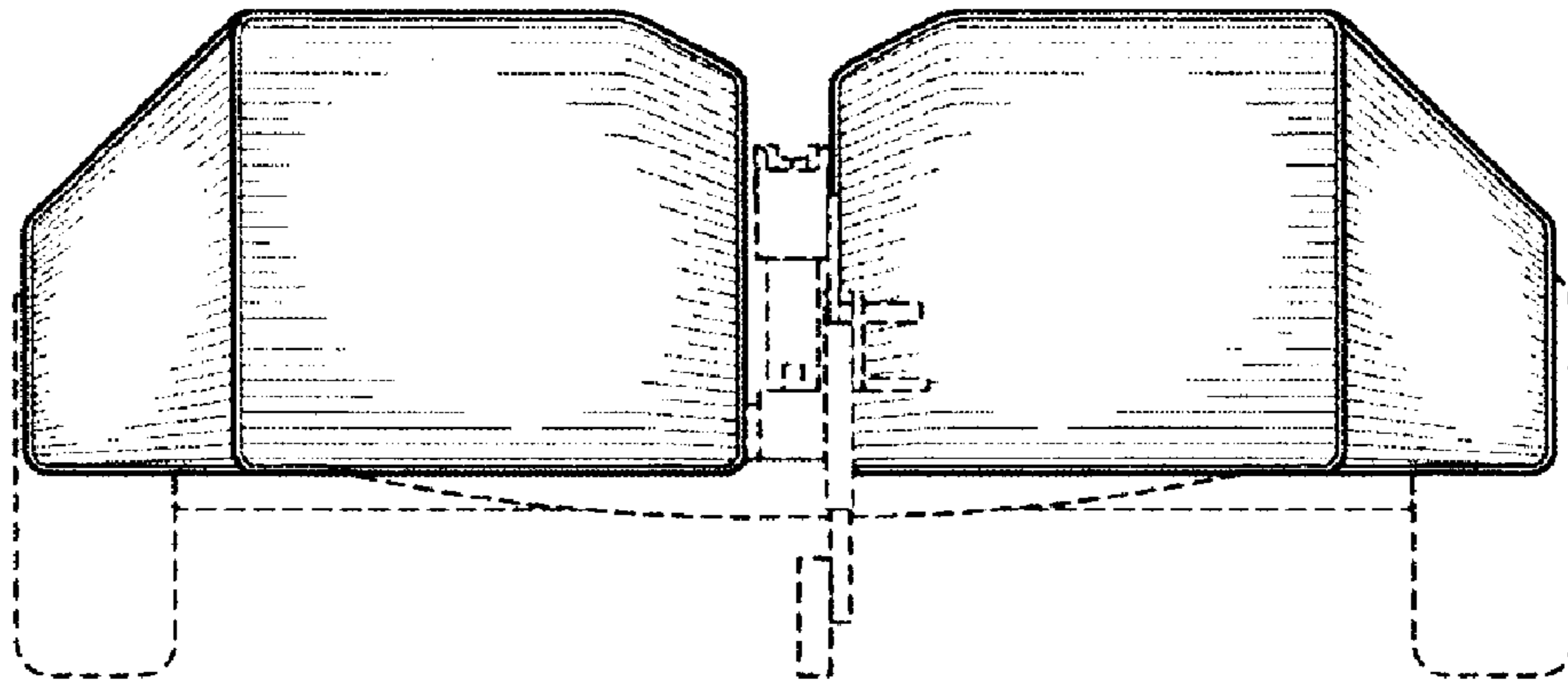


FIG. 4

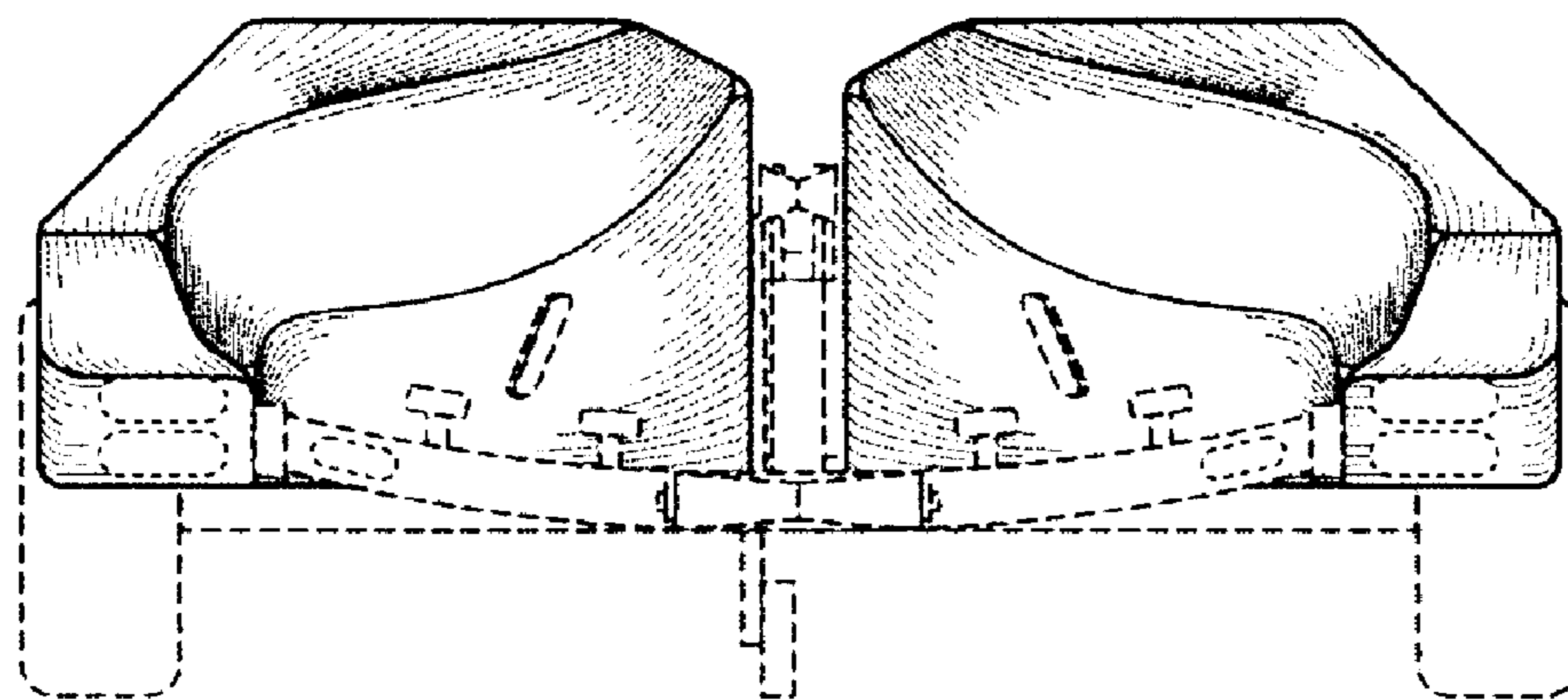


FIG. 5

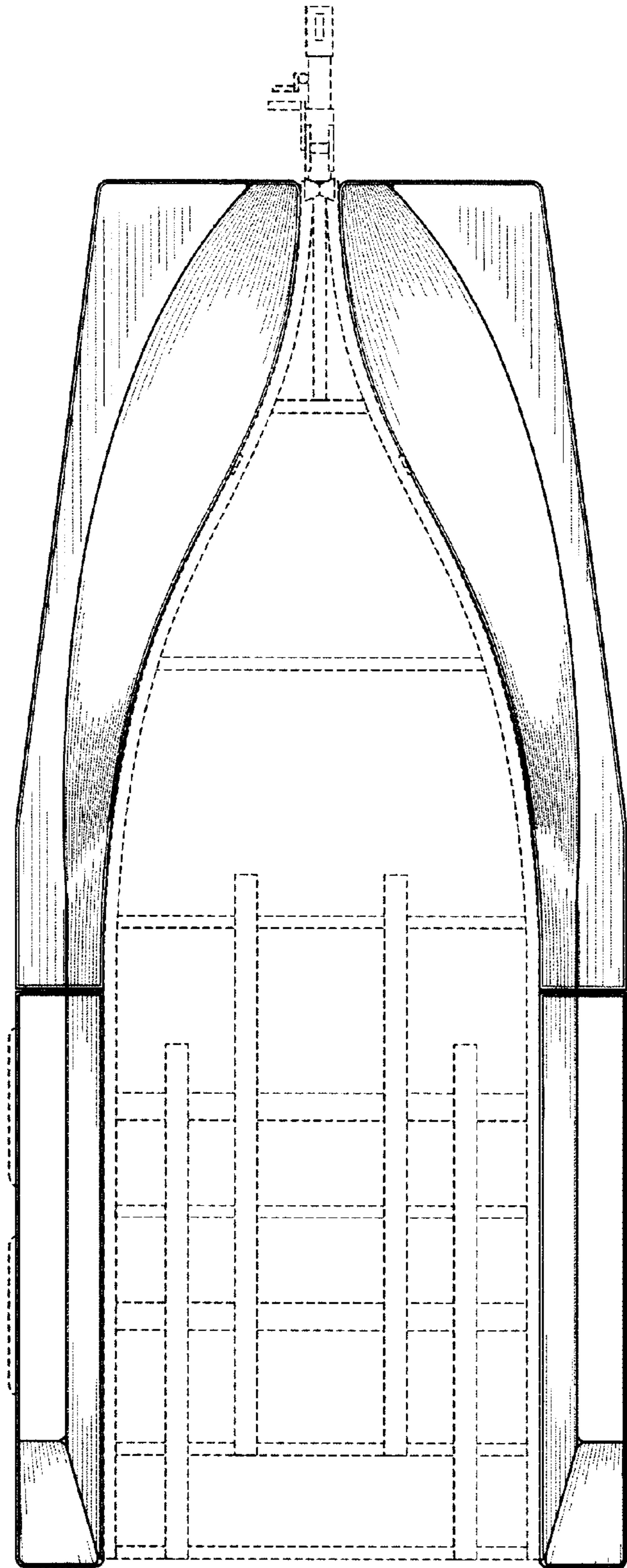


FIG. 6

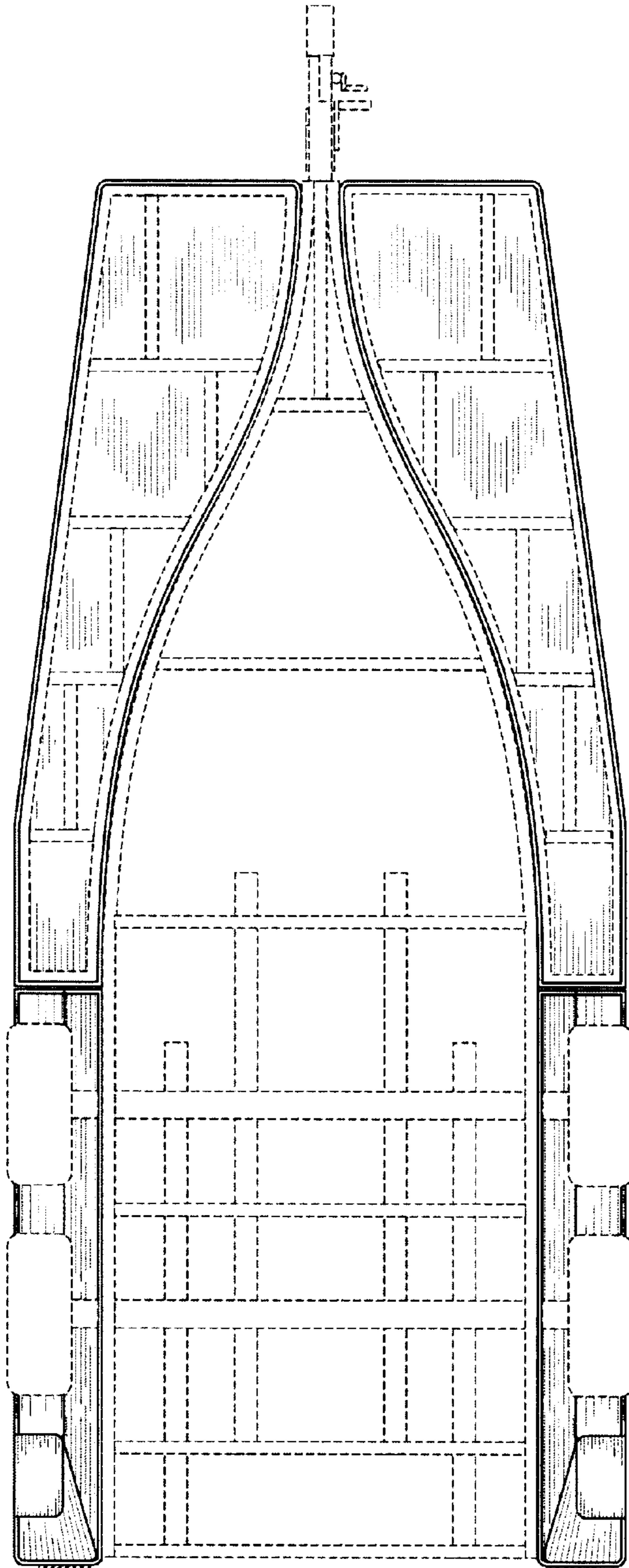


FIG. 7