

US00D542697S

(12) **United States Design Patent**  
**Schumacher**

(10) **Patent No.:** **US D542,697 S**

(45) **Date of Patent:** **\*\* May 15, 2007**

(54) **JEWELRY SETTING**

(76) Inventor: **Bernard R. Schumacher**, 806 Munich Dr., Bismarck, ND (US) 58504

(\*\*) Term: **14 Years**

(21) Appl. No.: **29/238,036**

(22) Filed: **Sep. 12, 2005**

**Related U.S. Application Data**

(62) Division of application No. 29/196,814, filed on Jan. 7, 2004, now Pat. No. Des. 527,672.

(51) **LOC (8) Cl.** ..... **11-01**

(52) **U.S. Cl.** ..... **D11/91**

(58) **Field of Classification Search** ..... D11/1,  
D11/2, 6-12, 16, 26-28, 34-43, 47, 75, 79,  
D11/89-83; 63/1.11-14.1, 20, 22, 23, 26-33  
See application file for complete search history.

(56) **References Cited**

**U.S. PATENT DOCUMENTS**

3,261,072 A \* 7/1966 Stanley ..... 29/10

D212,302 S \* 9/1968 Lodrini ..... D11/36  
D453,121 S \* 1/2002 Bowman ..... D11/91  
6,467,308 B2 \* 10/2002 Butler ..... 63/26

\* cited by examiner

*Primary Examiner*—Doris Clark

*Assistant Examiner*—Michael Pratt

(74) *Attorney, Agent, or Firm*—McGuireWoods LLP

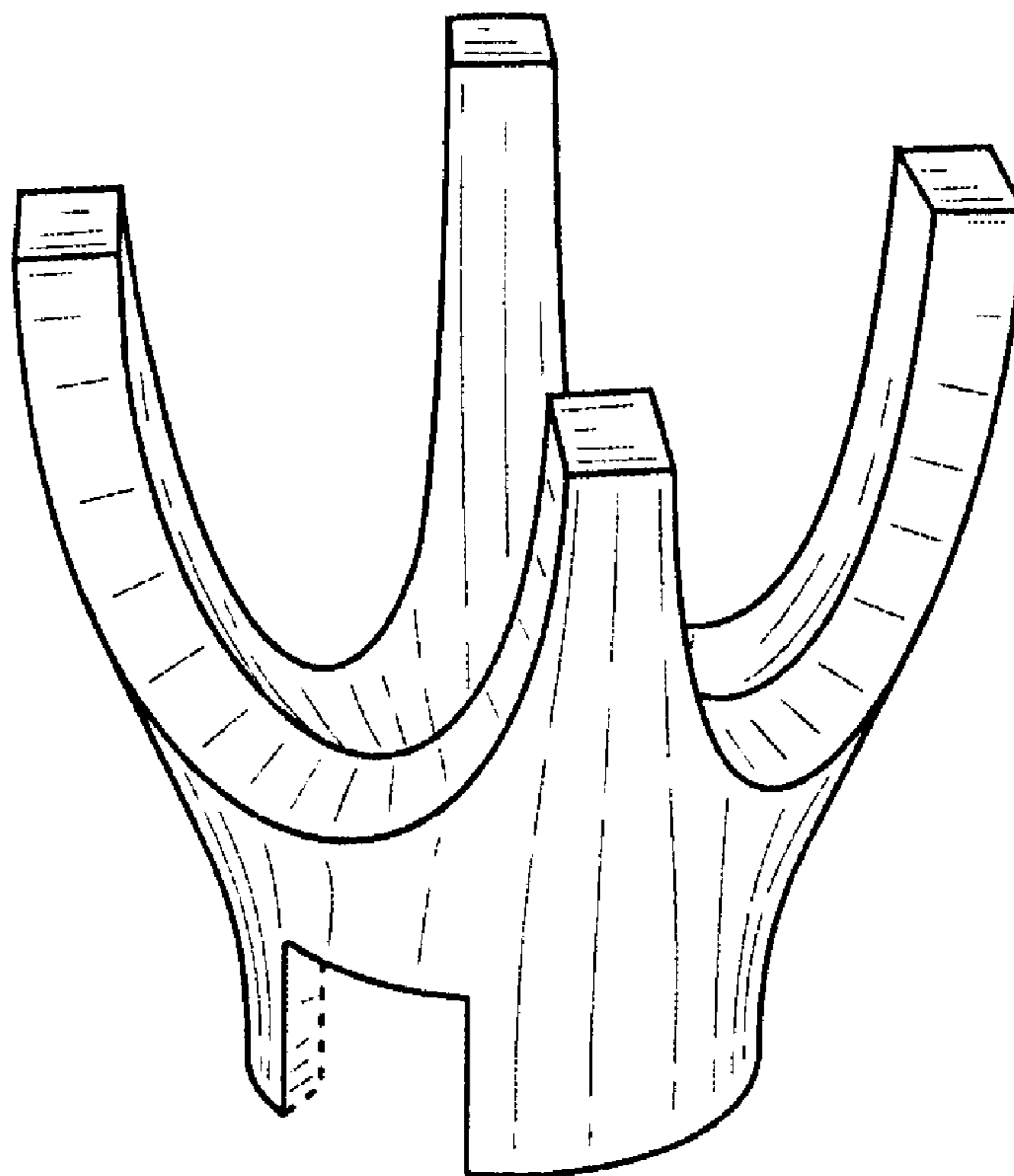
(57) **CLAIM**

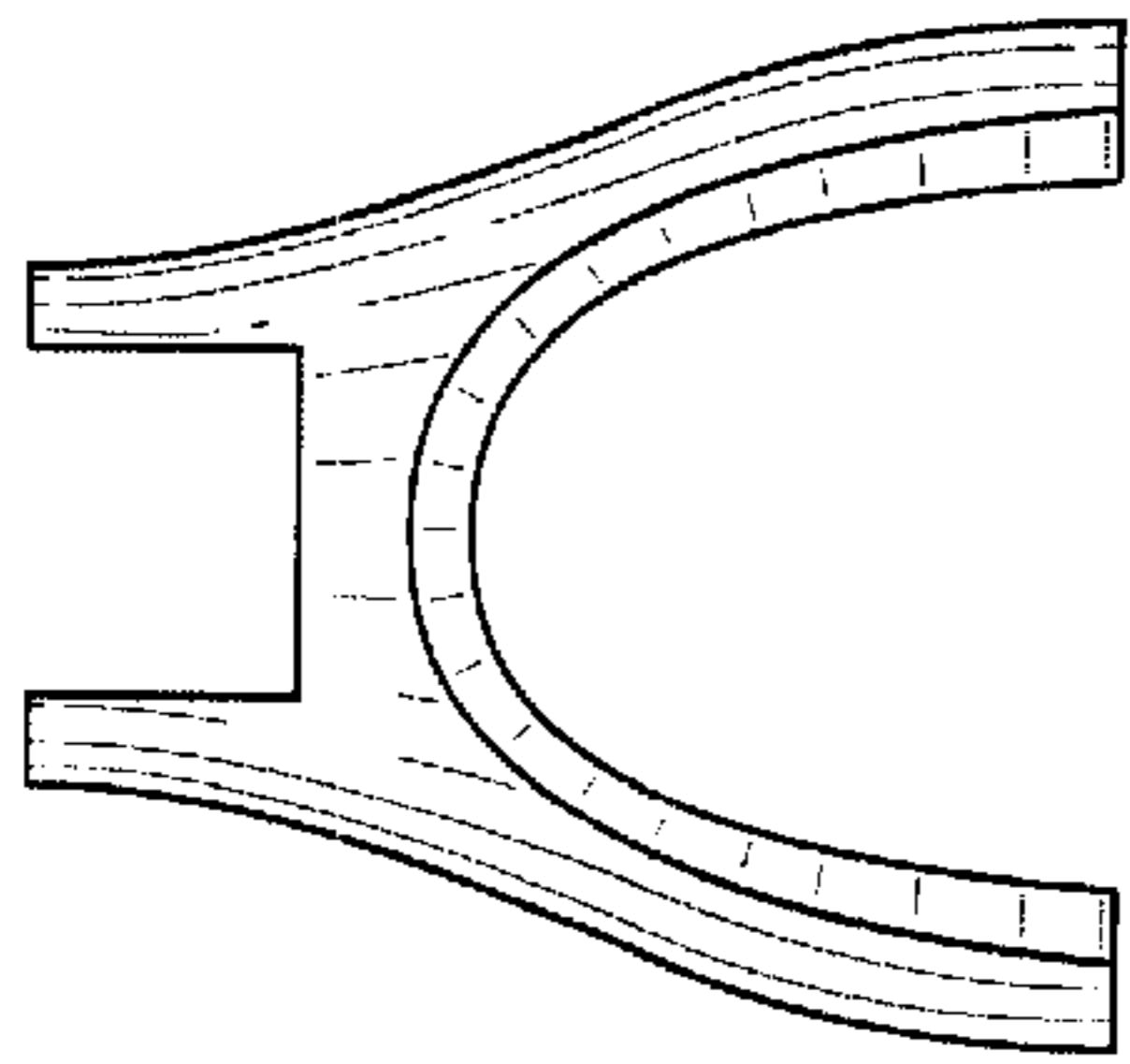
I claim the ornamental design for a jewelry setting, as shown.

**DESCRIPTION**

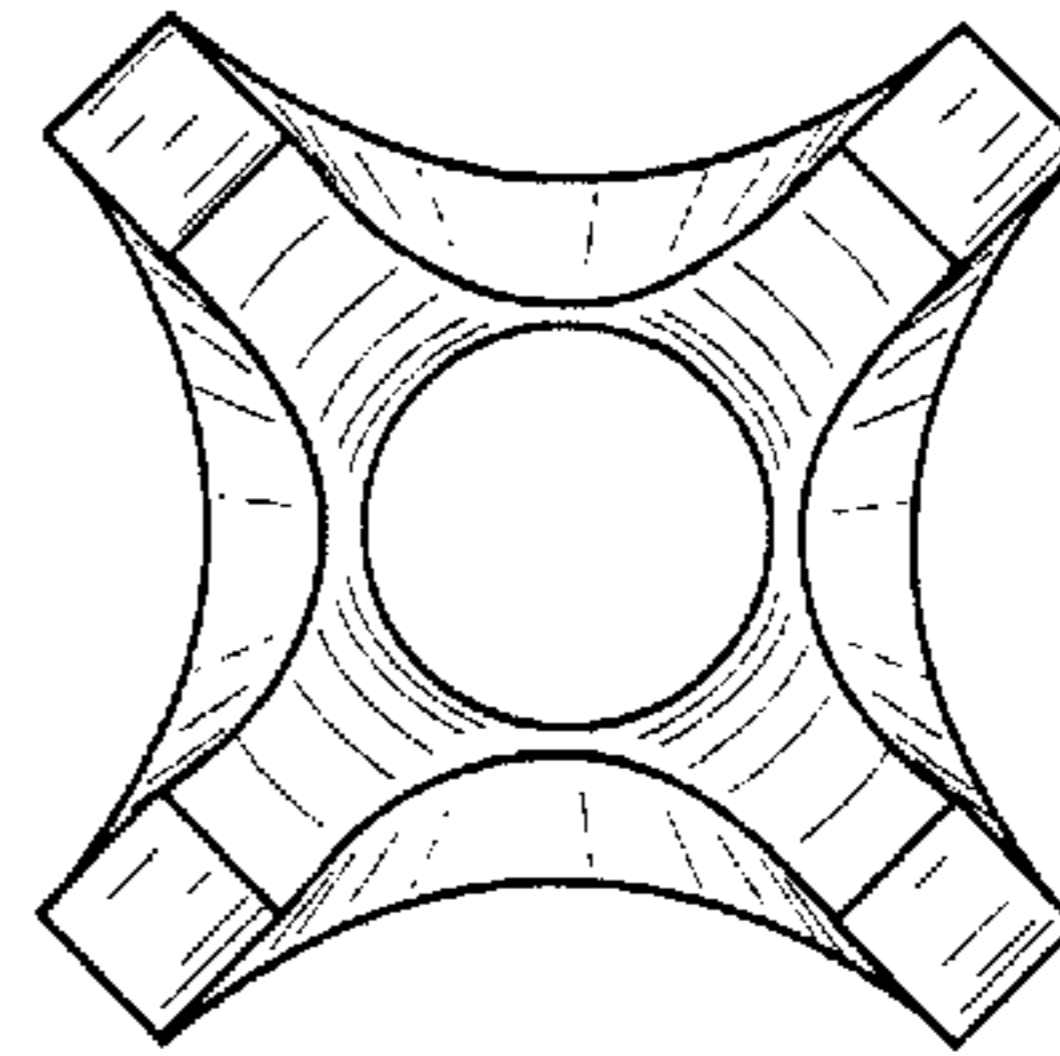
The subject matter not shown in the below described Figures, including interior surfaces, and the subject matter shown in dashed lines form no part of the claimed invention. FIG. 1 is a side elevation view of a jewelry setting showing my new design; FIG. 2 is a front elevation view thereof; FIG. 3 is a top plan view thereof; FIG. 4 is a bottom plan view thereof; and, FIG. 5 is a perspective view thereof.

**1 Claim, 1 Drawing Sheet**

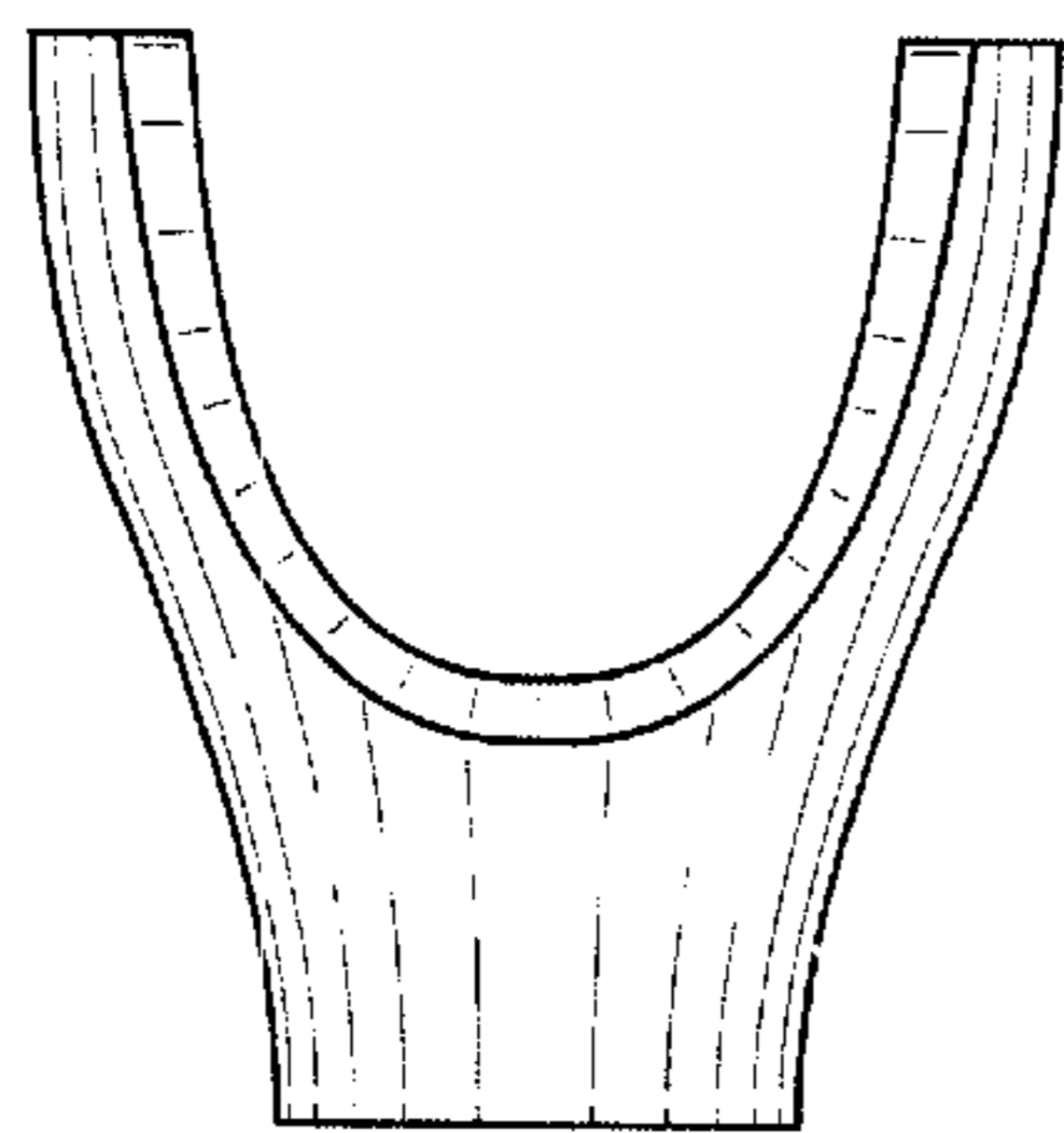




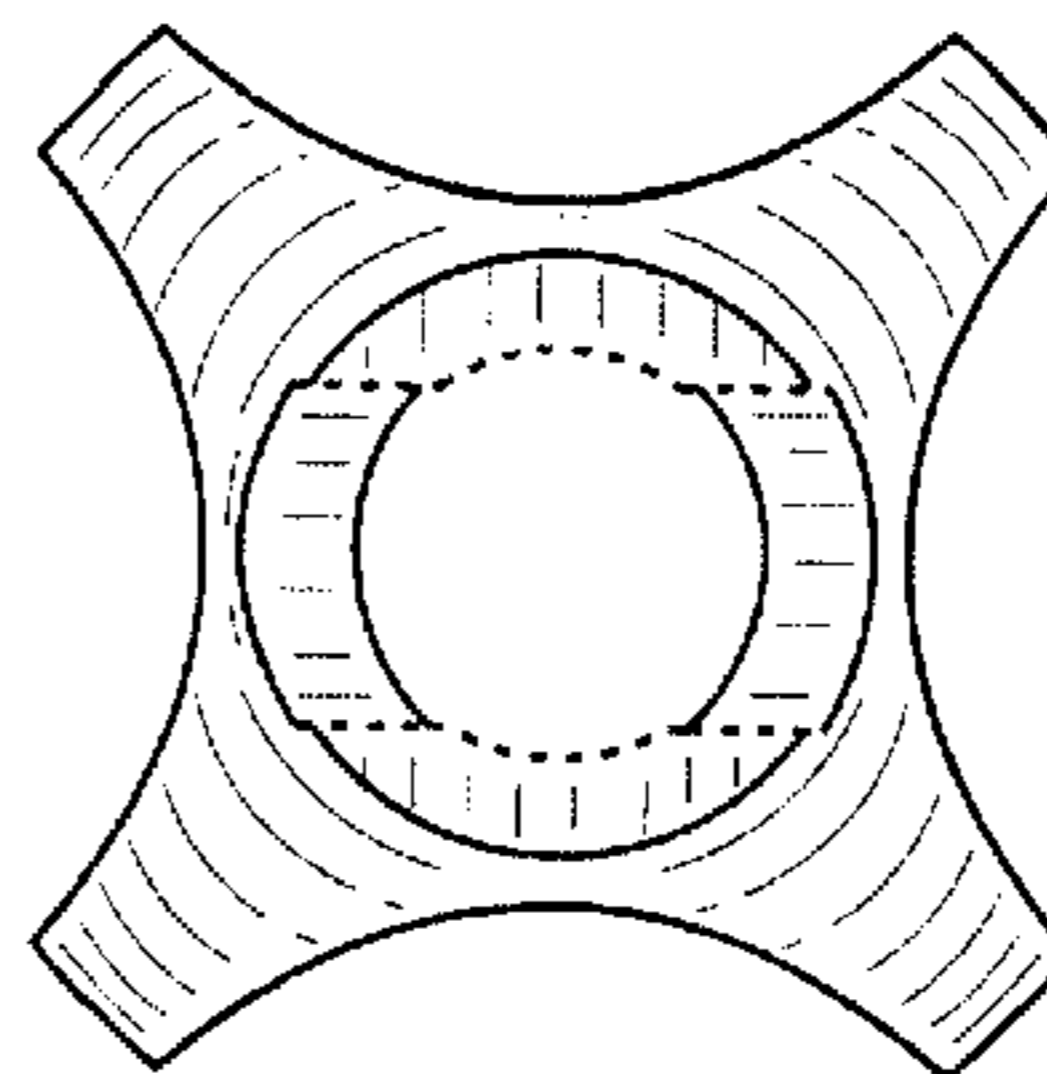
**FIG. 1**



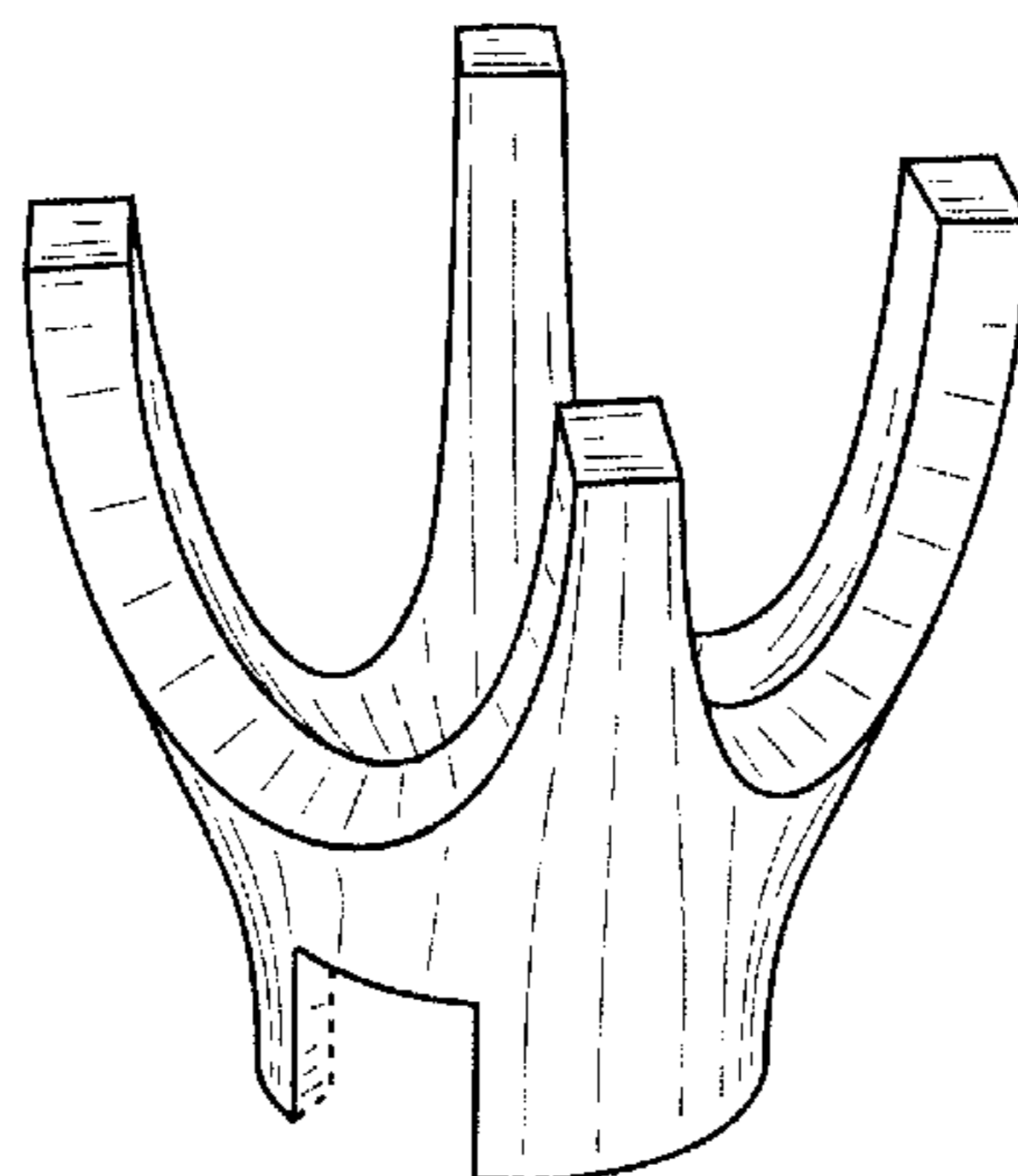
**FIG. 3**



**FIG. 2**



**FIG. 4**



**FIG. 5**