



US00D542696S

(12) **United States Design Patent**
Cilluffo

(10) **Patent No.:** **US D542,696 S**

(45) **Date of Patent:** **** May 15, 2007**

(54) **EARRING**

(75) Inventor: **Gianfranco Cilluffo**, Morbio Inferiore (CH)

(73) Assignee: **Orexport SA** (CH)

(**) Term: **14 Years**

(21) Appl. No.: **29/212,900**

(22) Filed: **Sep. 9, 2004**

(30) **Foreign Application Priority Data**

May 19, 2004 (WO) DM/065 412

(51) **LOC (8) Cl.** **11-01**

(52) **U.S. Cl.** **D11/40; D11/7**

(58) **Field of Classification Search** D11/1,
D11/2, 40-43, 44, 46-49, 53, 56, 57, 59,
D11/60, 61, 63, 65, 79-82, 83, 86, 87, 91,
D11/95-97, 89, 90, 99-101, 106, 114-116;
63/1.11, 18-20; D16/330, 339, 341; 24/3.3;
224/604

See application file for complete search history.

(56) **References Cited**

U.S. PATENT DOCUMENTS

D19,102 S * 5/1889 Stayner D11/79
2,031,110 A * 2/1936 King D11/4

D114,212 S * 4/1939 Graeter D11/48
D138,956 S * 10/1944 Karples D11/75
D161,526 S * 1/1951 Philippe D11/43
D248,380 S * 7/1978 Burchett D11/43
D256,003 S * 7/1980 Barr D11/43
D308,348 S * 6/1990 Leopoldi D11/43
D423,986 S * 5/2000 Ishii et al. D11/221
D455,097 S * 4/2002 Salvarani D11/79
6,688,507 B2 * 2/2004 McCormack 24/3.3
D497,322 S * 10/2004 Gruosi-Scheufele D11/79

* cited by examiner

Primary Examiner—Doris Clark

Assistant Examiner—Michael Pratt

(74) *Attorney, Agent, or Firm*—McGlew & Tuttle PC

(57) **CLAIM**

The ornamental design for an earring, as shown and described.

DESCRIPTION

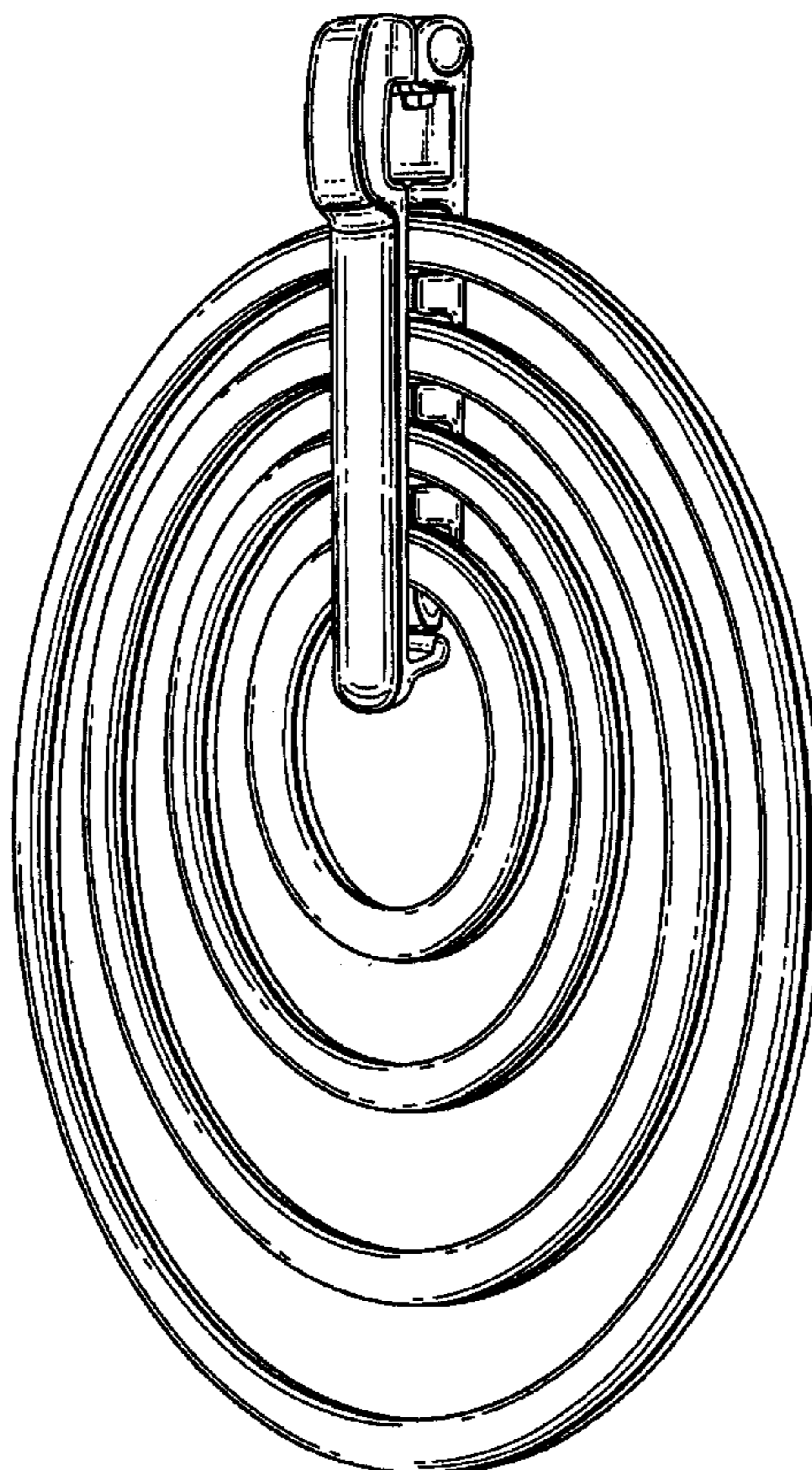
FIG. 1 is a front elevation view of an earring showing my new design;

FIG. 2 is a perspective view thereof;

FIG. 3 is an exploded front elevation view thereof with the clasp open; and,

FIG. 4 is an exploded front elevation view thereof with the clasp closed.

1 Claim, 4 Drawing Sheets



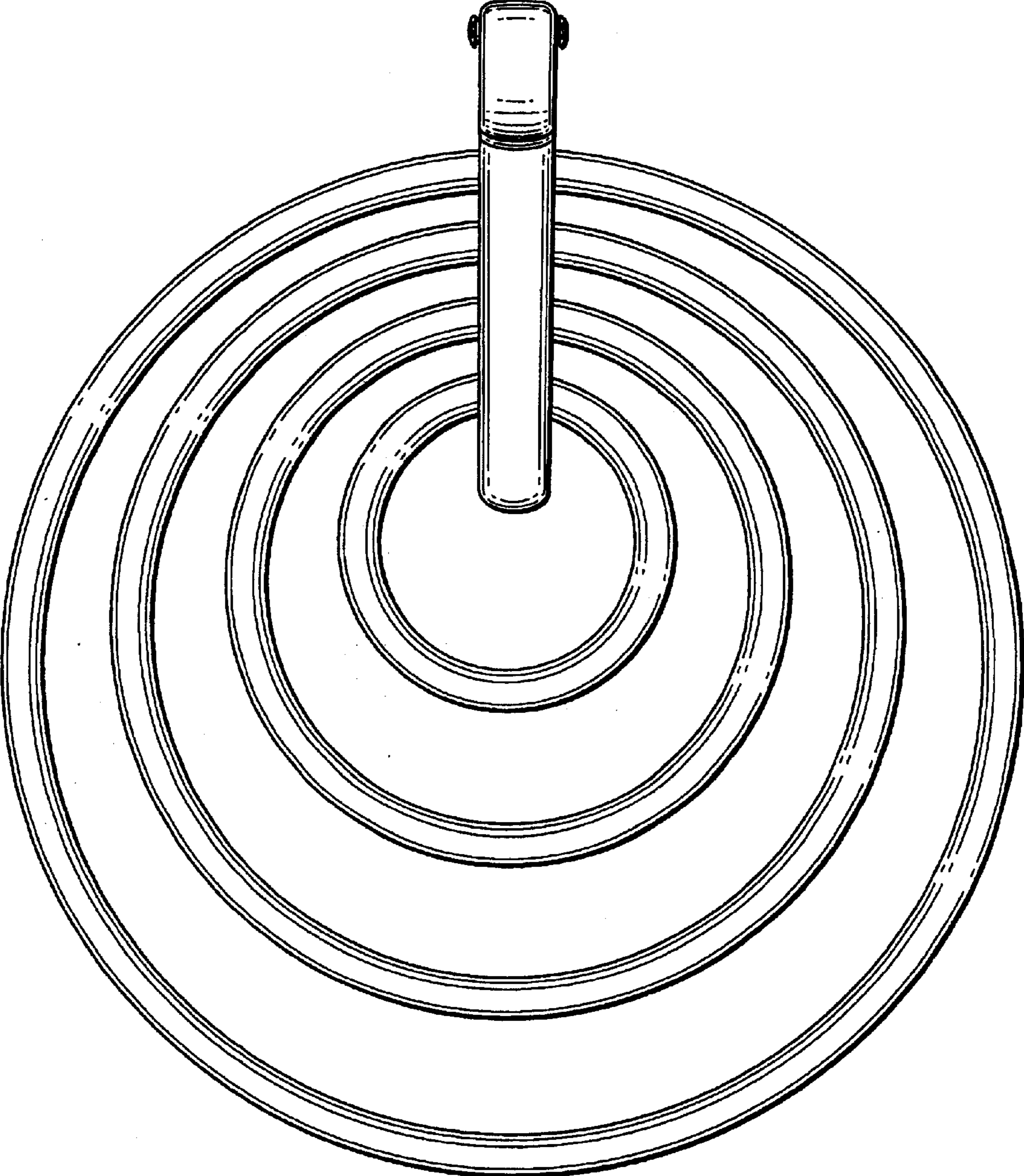


FIG. 1

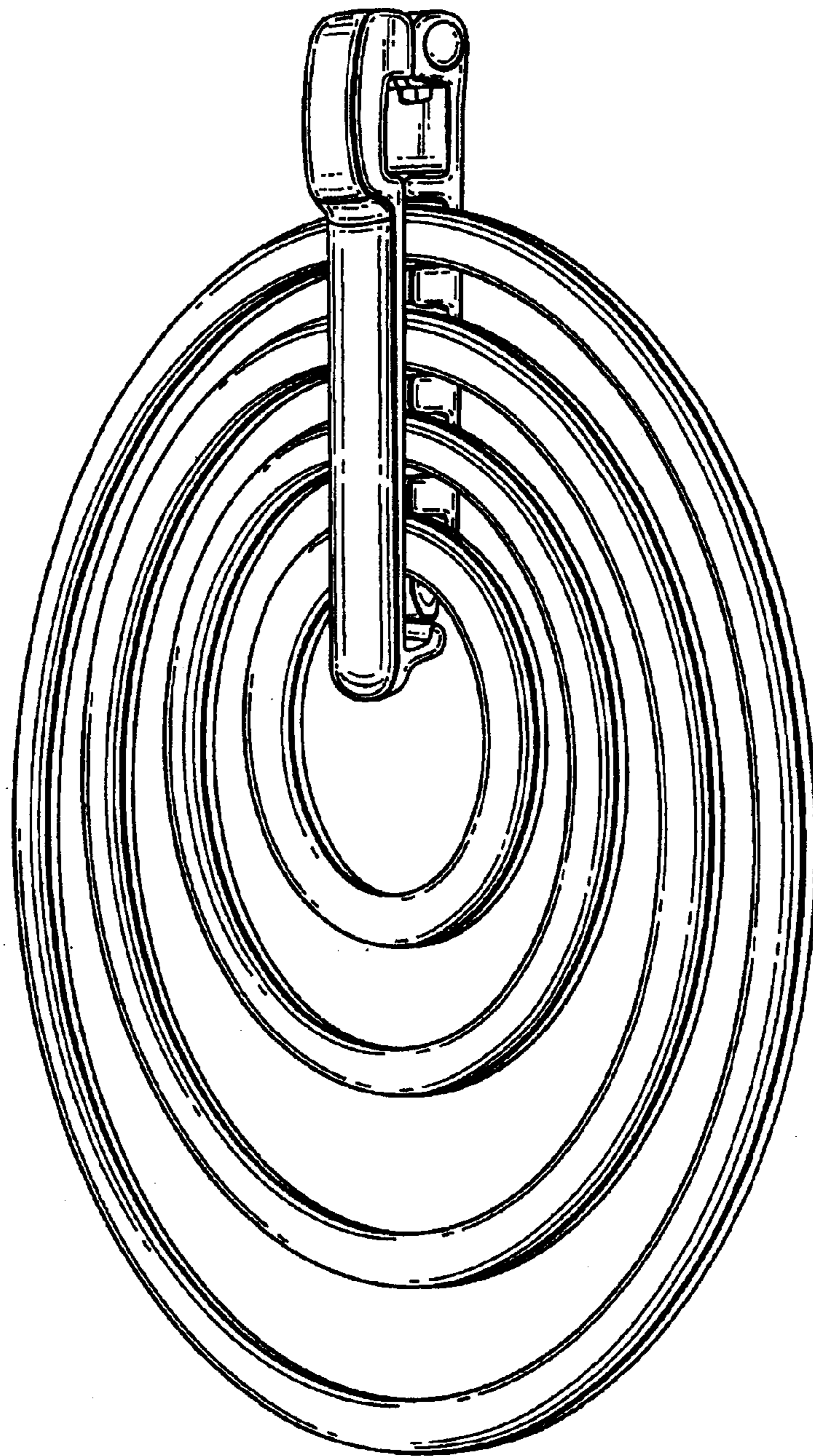


FIG. 2

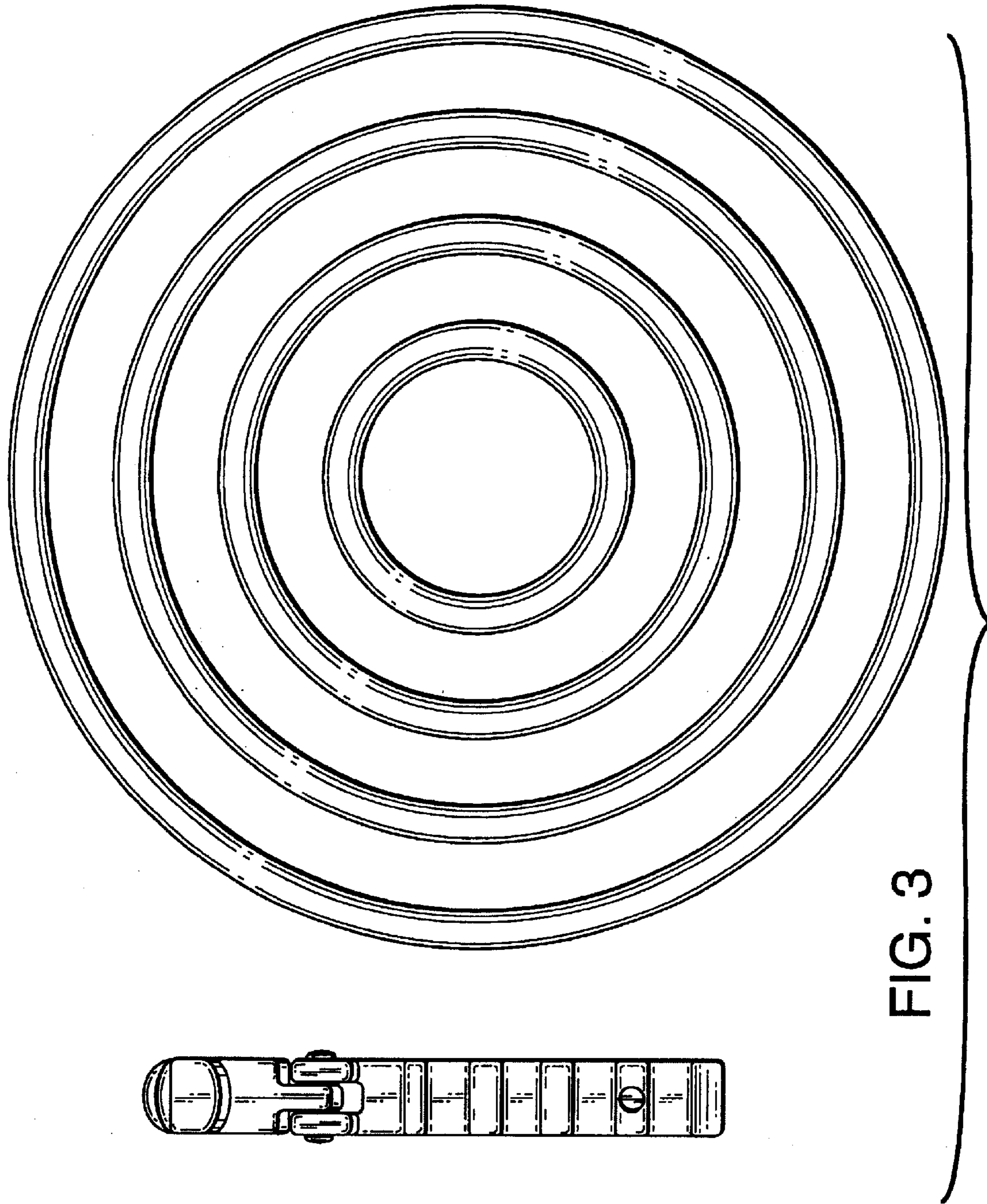


FIG. 3

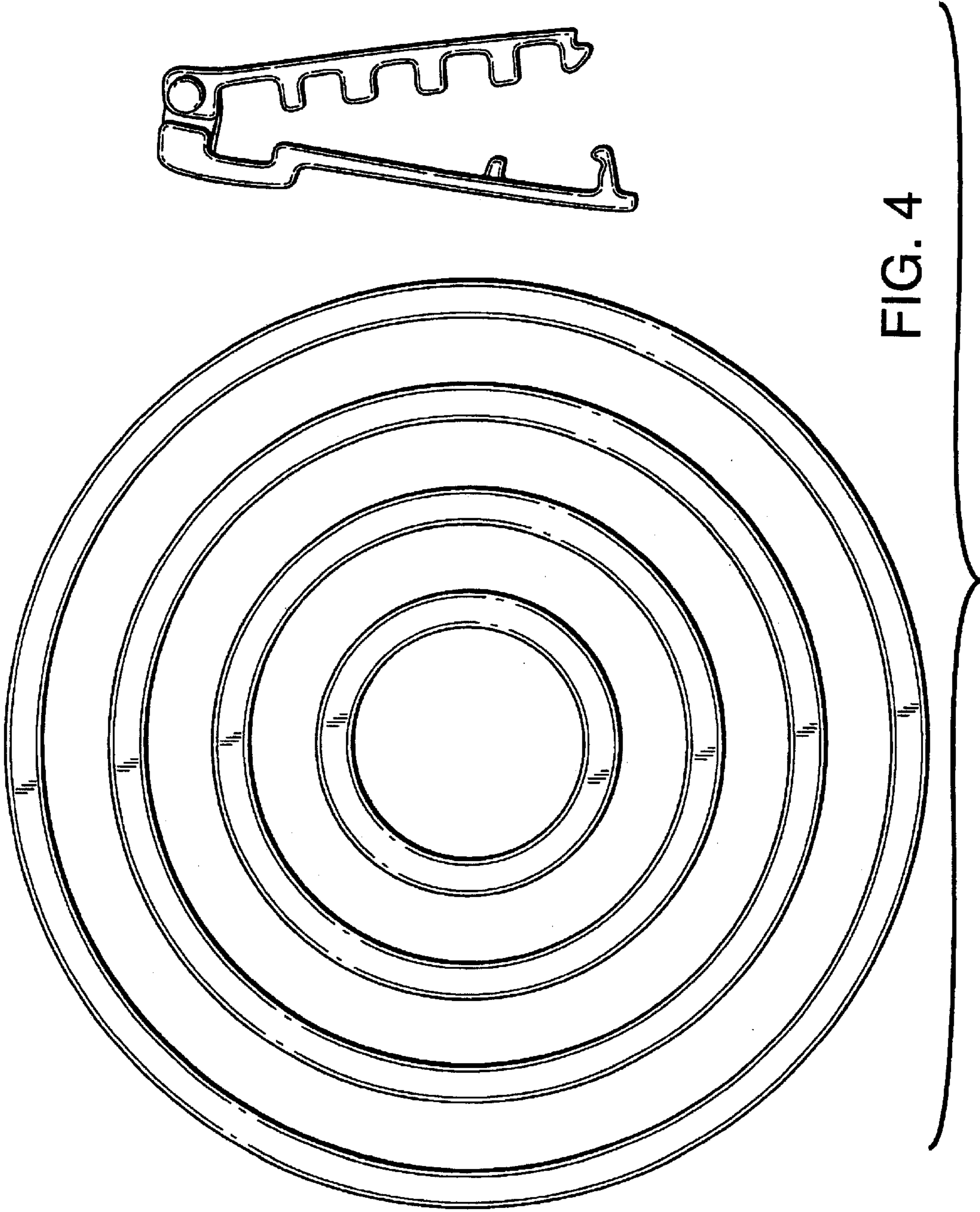


FIG. 4