

US00D542694S

(12) **United States Design Patent**
Schweizer

(10) **Patent No.:** **US D542,694 S**

(45) **Date of Patent:** **** May 15, 2007**

(54) **RING**

(75) **Inventor:** **Jean-Pierre Schweizer**, 7, chemin des
Bougeries, 1228 Plan-les-Ouates (CH)

(73) **Assignee:** **Jean-Pierre Schweizer** (CH)

(**) **Term:** **14 Years**

(21) **Appl. No.:** **29/258,224**

(22) **Filed:** **Apr. 18, 2006**

(30) **Foreign Application Priority Data**

Oct. 18, 2005 (WO) DM/067407

(51) **LOC (8) Cl.** **11-01**

(52) **U.S. Cl.** **D11/34**

(58) **Field of Classification Search** D11/26-39,
D11/3; 63/15, 15.1-15.4, 15.45, 15.5, 15.6,
63/15.65, 15.7-15.8, 26-28

See application file for complete search history.

(56) **References Cited**

U.S. PATENT DOCUMENTS

D257,018 S * 9/1980 Barr D11/27

4,841,746 A * 6/1989 Chen 63/15
D427,538 S * 7/2000 Kern D11/26
7,121,117 B2 * 10/2006 Gruosi-Scheufele 63/18

* cited by examiner

Primary Examiner—Ian Simmons

Assistant Examiner—Melanie Levy

(74) *Attorney, Agent, or Firm*—Lott & Friedland, PA

(57) **CLAIM**

The ornamental design for a ring, substantially as shown and described.

DESCRIPTION

FIG. 1 is a perspective view of the ring of the present invention;

FIG. 2 is a front view of the ring shown in of FIG. 1;

FIG. 3 is a rear view of the ring shown in of FIG. 1;

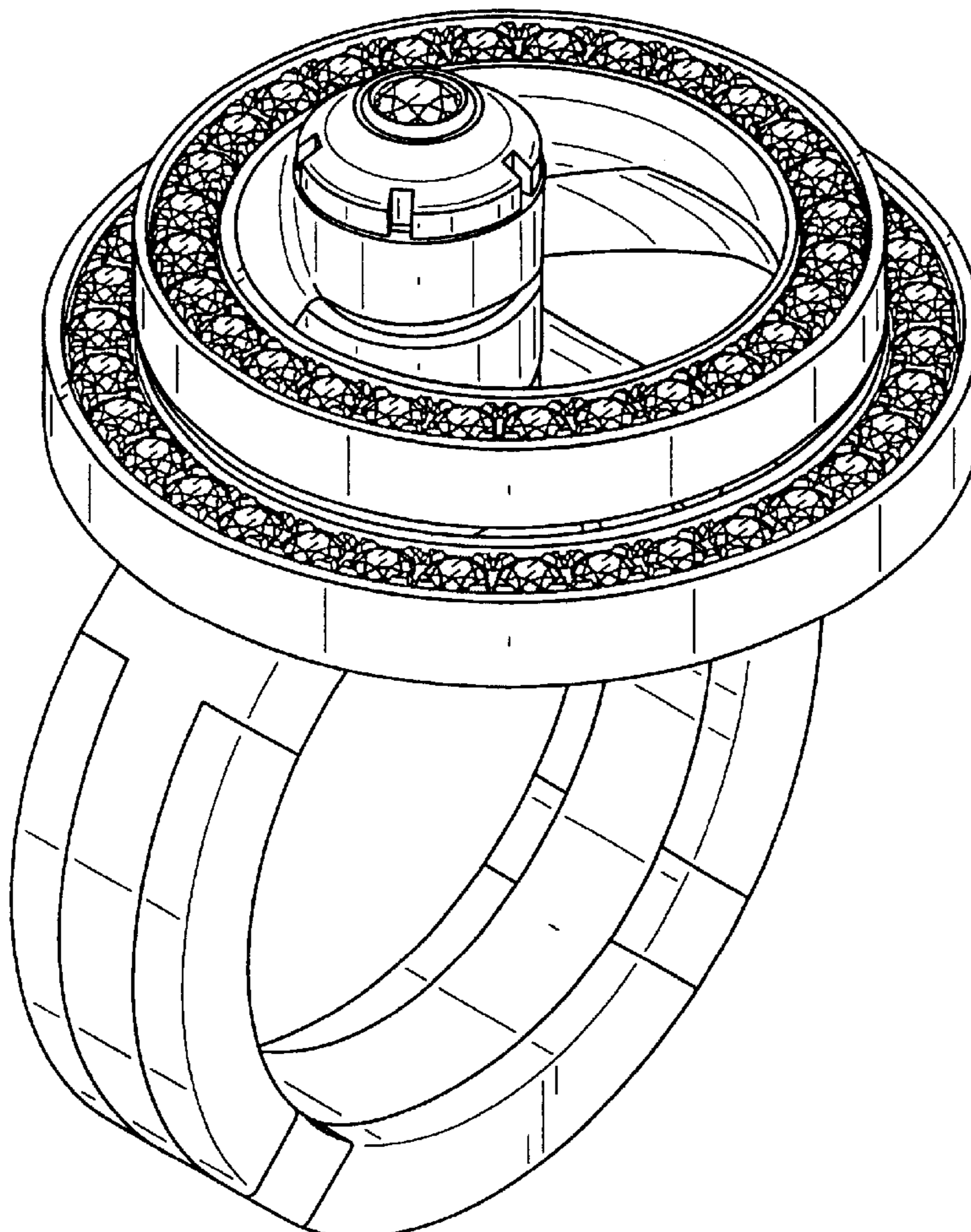
FIG. 4 is a left side elevational view of the ring shown in of FIG. 1;

FIG. 5 is a right side elevational view of the ring shown in of FIG. 1;

FIG. 6 is a top view of the ring shown in of FIG. 1; and,

FIG. 7 is a bottom view of the ring shown in of FIG. 1.

1 Claim, 7 Drawing Sheets



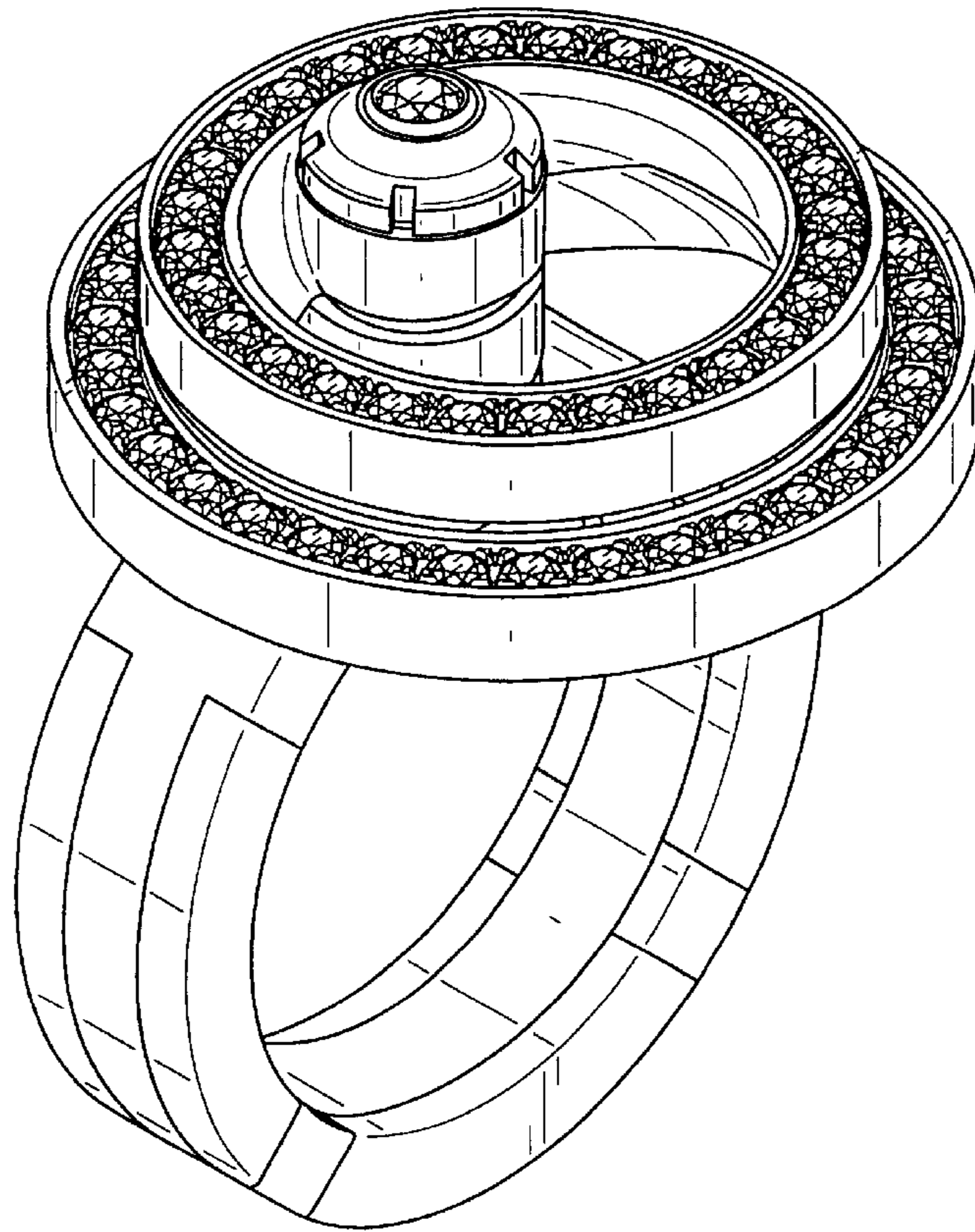


FIG. 1

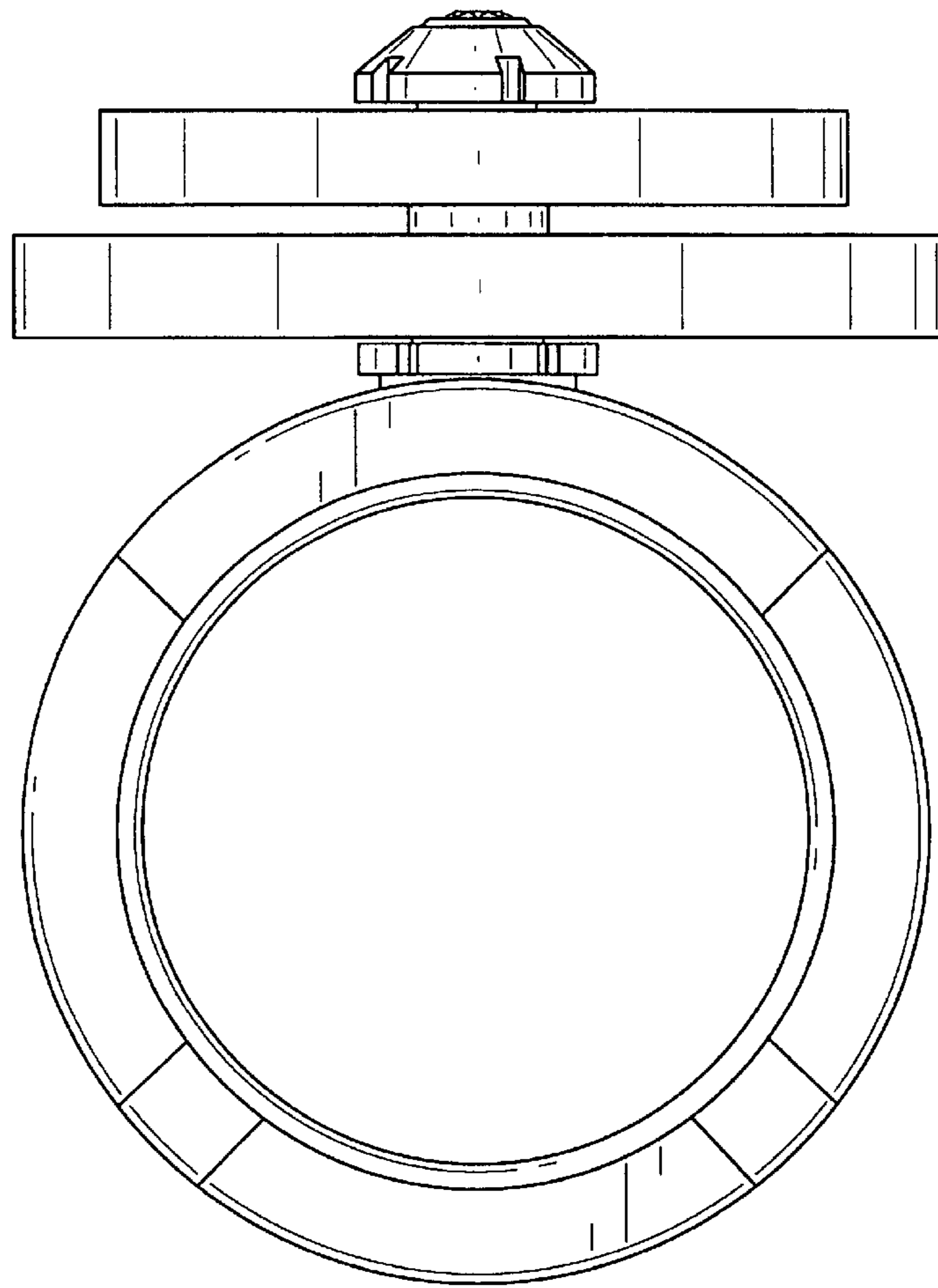


FIG. 2

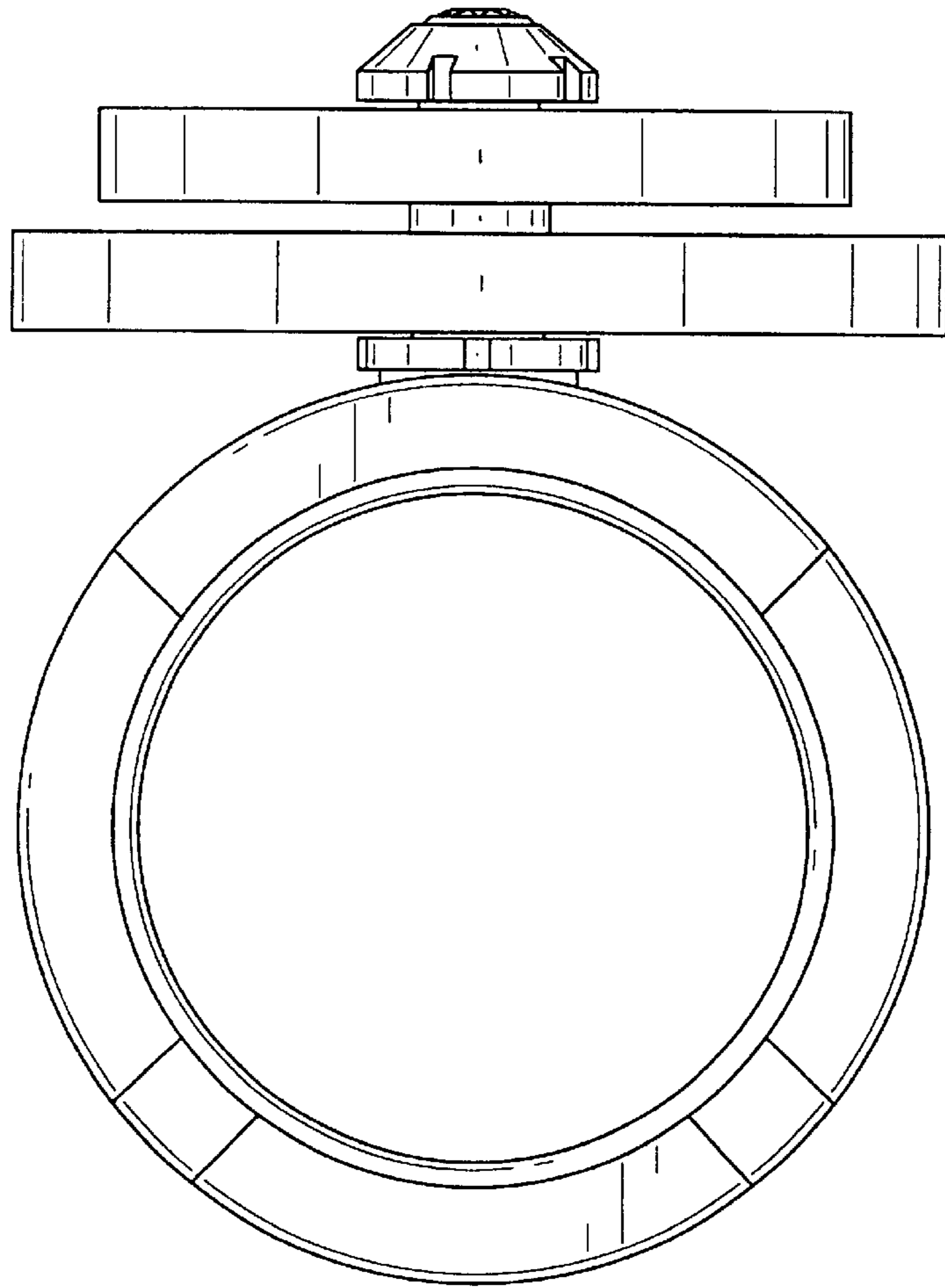


FIG. 3

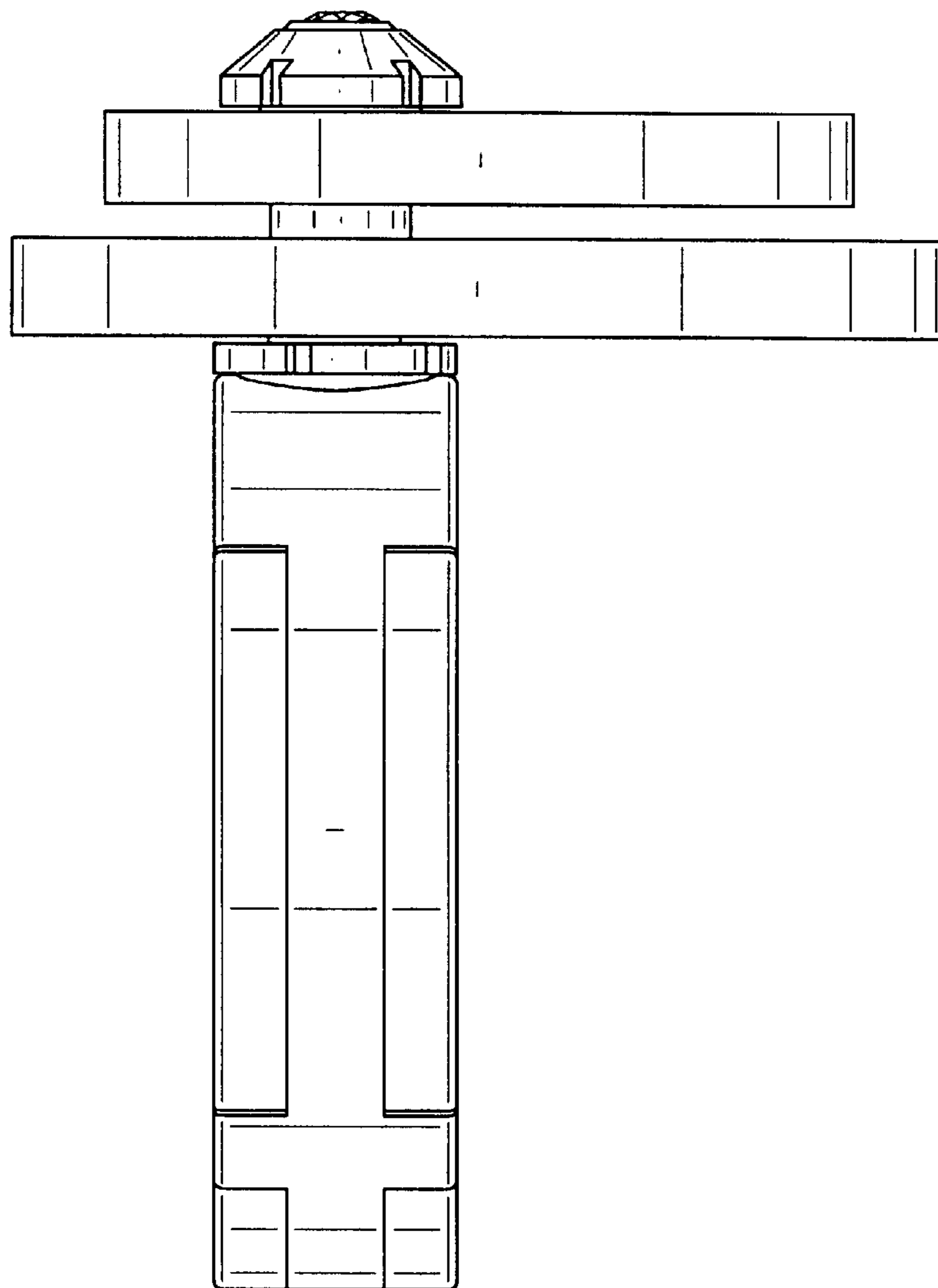


FIG. 4

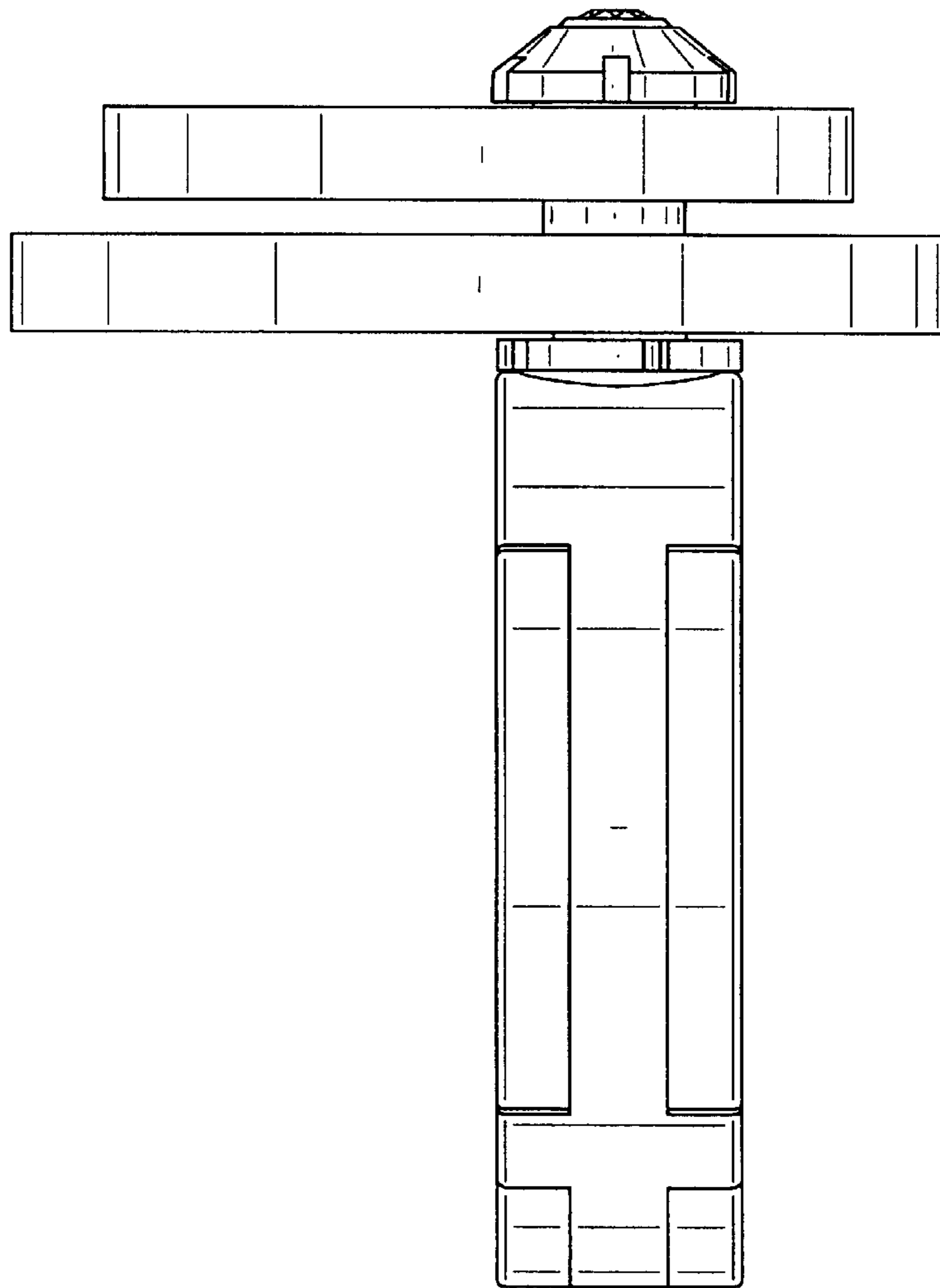


FIG. 5

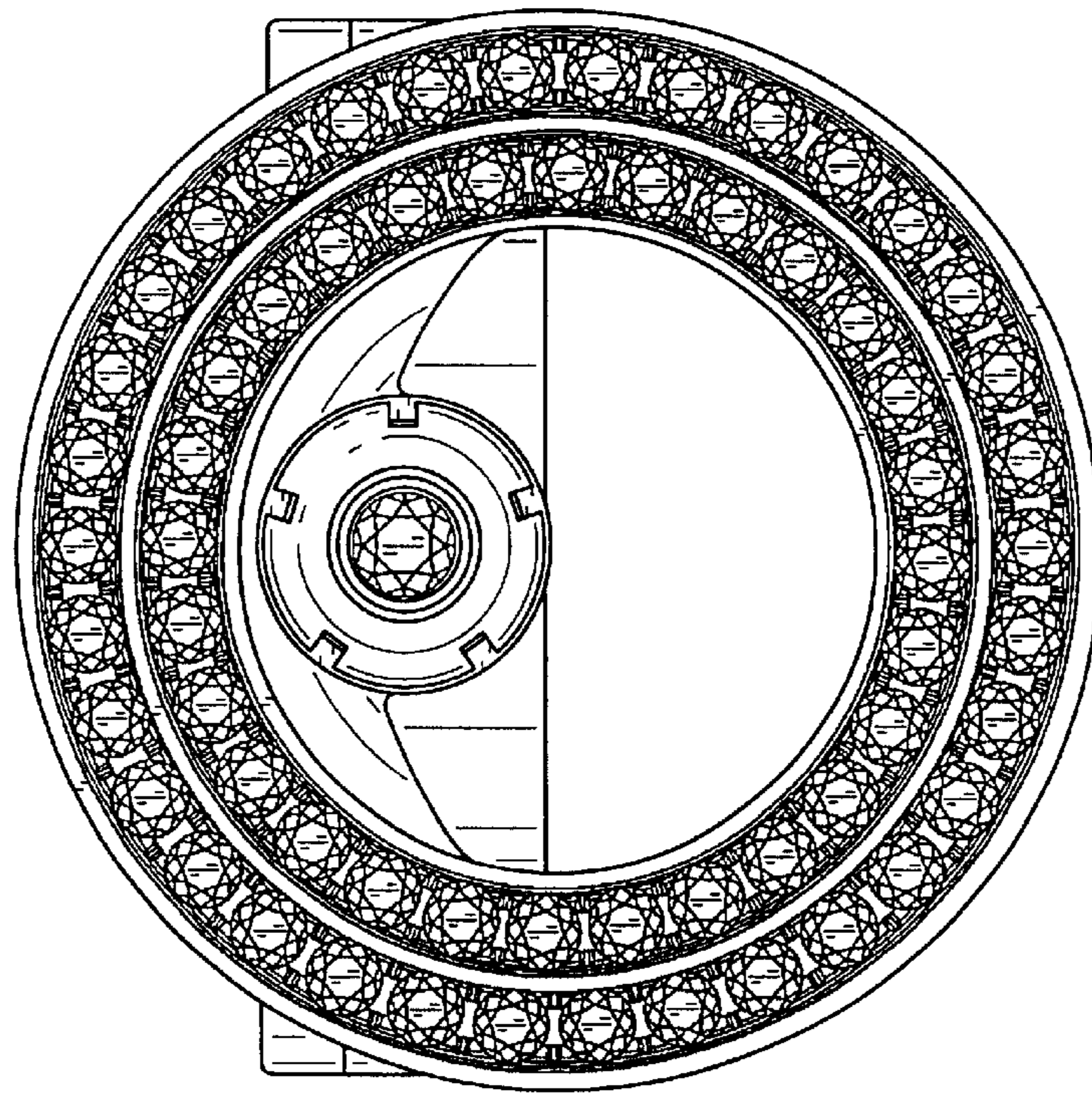


FIG. 6

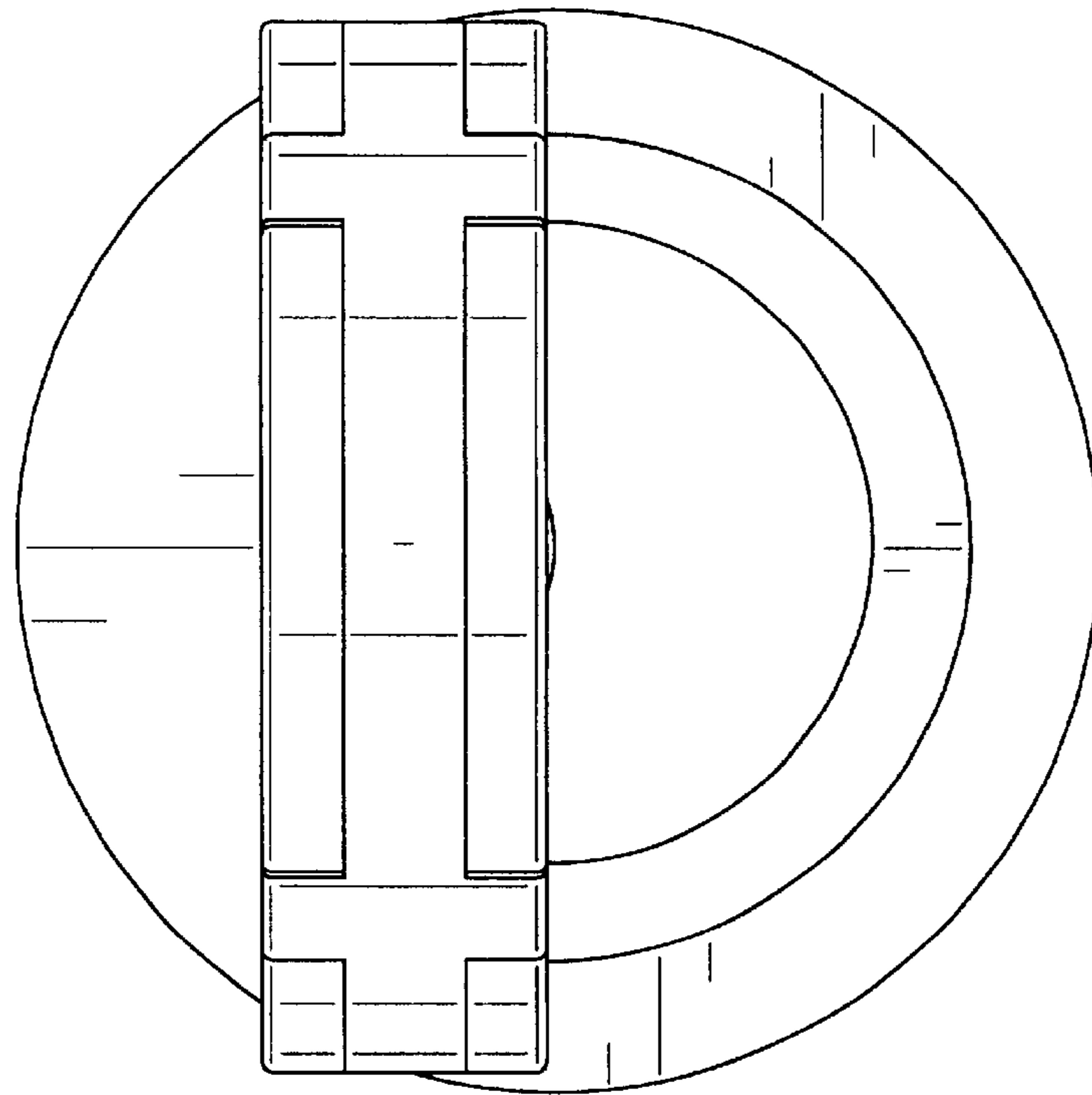


FIG. 7