

US00D542686S

(12) **United States Design Patent** (10) **Patent No.:** **US D542,686 S**
Yu (45) **Date of Patent:** **** May 15, 2007**

(54) **SIREN HOUSING**

(75) Inventor: **Liming Yu**, New York, NY (US)

(73) Assignee: **Mascon, Inc.**, Woburn, MA (US)

(**) Term: **14 Years**

(21) Appl. No.: **29/225,542**

(22) Filed: **Mar. 17, 2005**

(51) **LOC (8) Cl.** **10-05**

(52) **U.S. Cl.** **D10/120**

(58) **Field of Classification Search** D10/104-121;
D14/402-408, 454; 340/692, 629, 693.5;
382/124

See application file for complete search history.

(56) **References Cited**

U.S. PATENT DOCUMENTS

D415,055 S	*	10/1999	Schmidt	D10/120
D454,568 S	*	3/2002	Andre et al.	D14/408
D478,832 S	*	8/2003	Dipple	D10/106
D506,199 S	*	6/2005	Huang et al.	D14/408
D508,247 S	*	8/2005	Fisher et al.	D14/402
D517,440 S	*	3/2006	Gehalo et al.	D10/106

D521,003 S	*	5/2006	Shimizu	D14/402
7,068,176 B2	*	6/2006	Black et al.	340/628

* cited by examiner

Primary Examiner—Caron D. Veynar

Assistant Examiner—George D. Kirschbaum, Jr.

(74) *Attorney, Agent, or Firm*—Gauthier & Connors, LLP

(57) **CLAIM**

The ornamental design for a siren housing, as shown and described.

DESCRIPTION

FIG. 1 is a front perspective view of a siren housing showing my new design;

FIG. 2 is a rear view thereof;

FIG. 3 is a bottom view thereof;

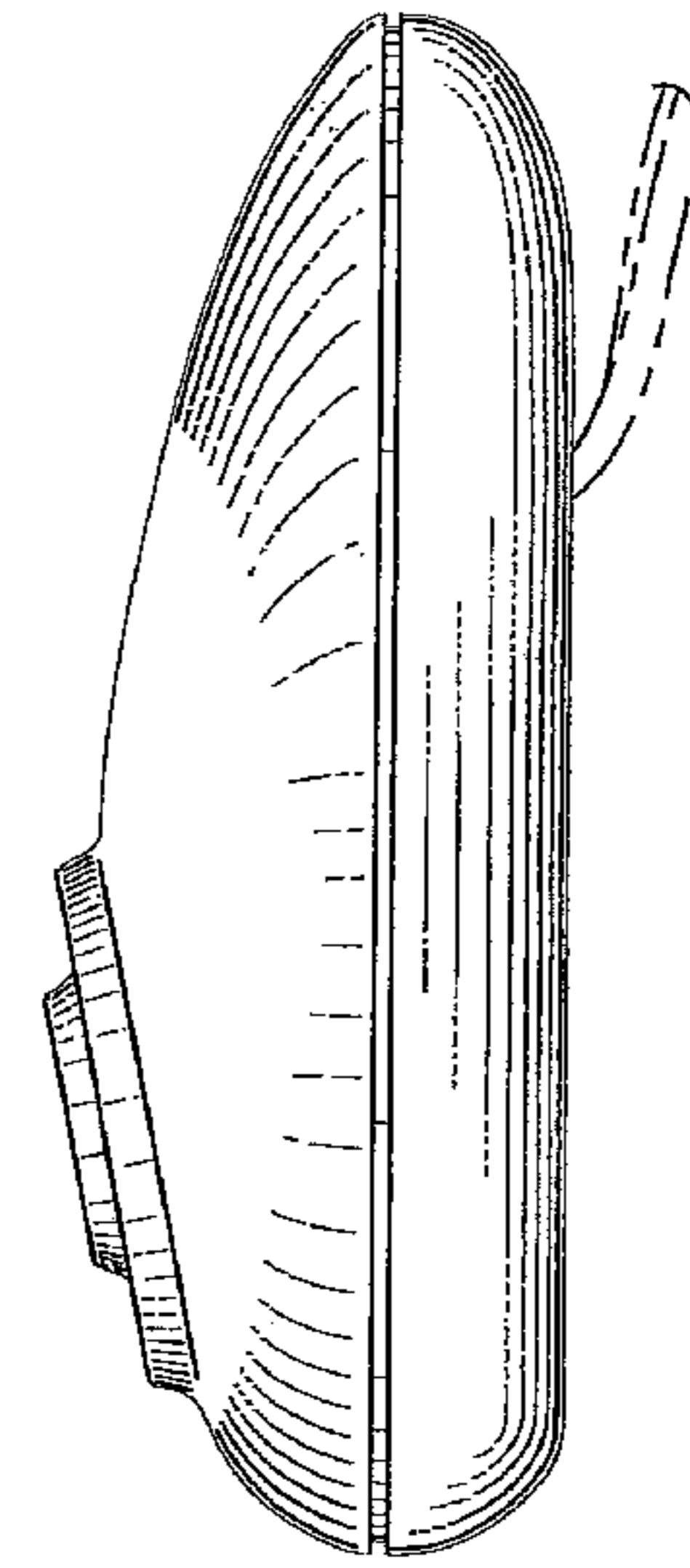
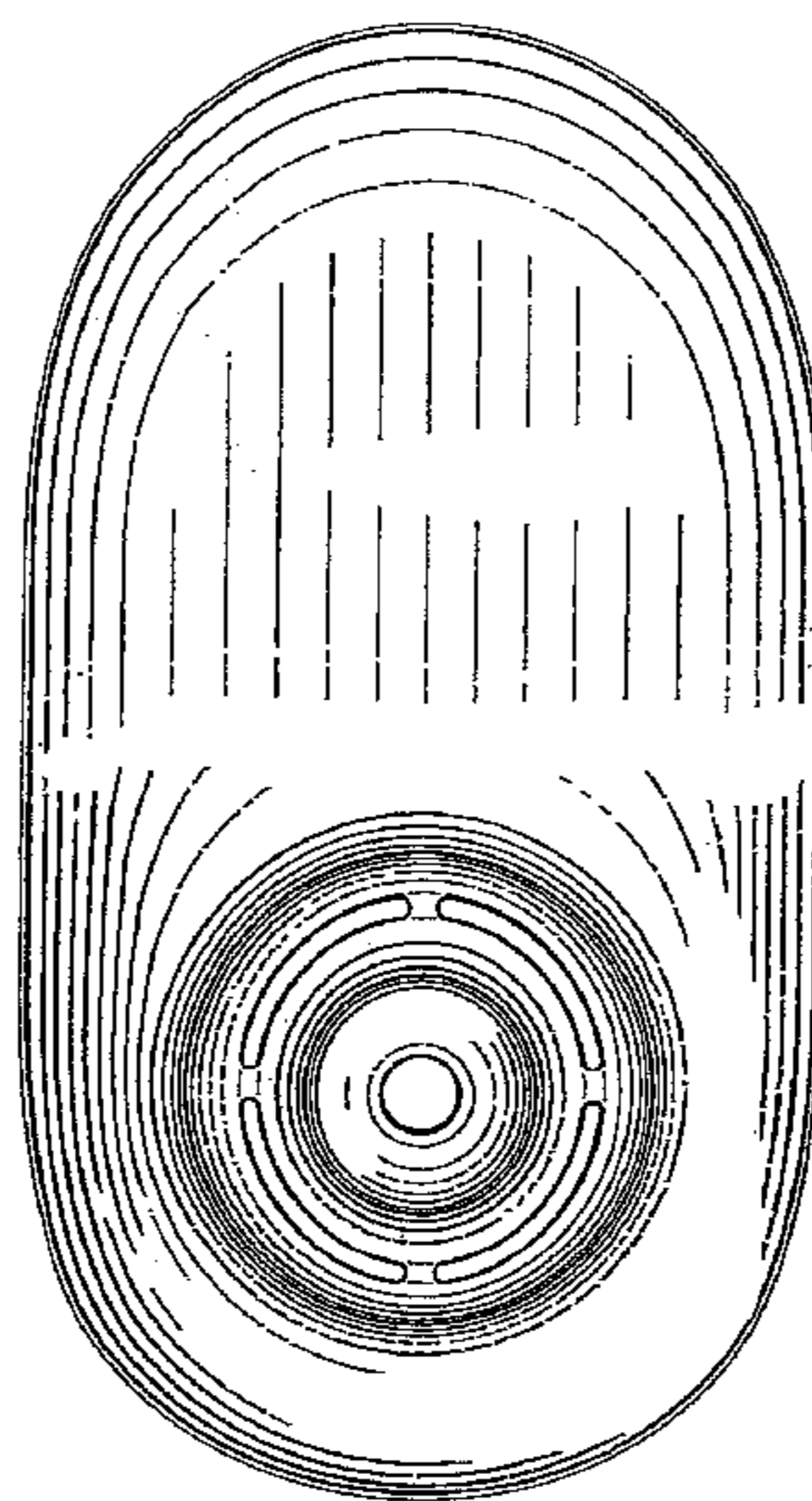
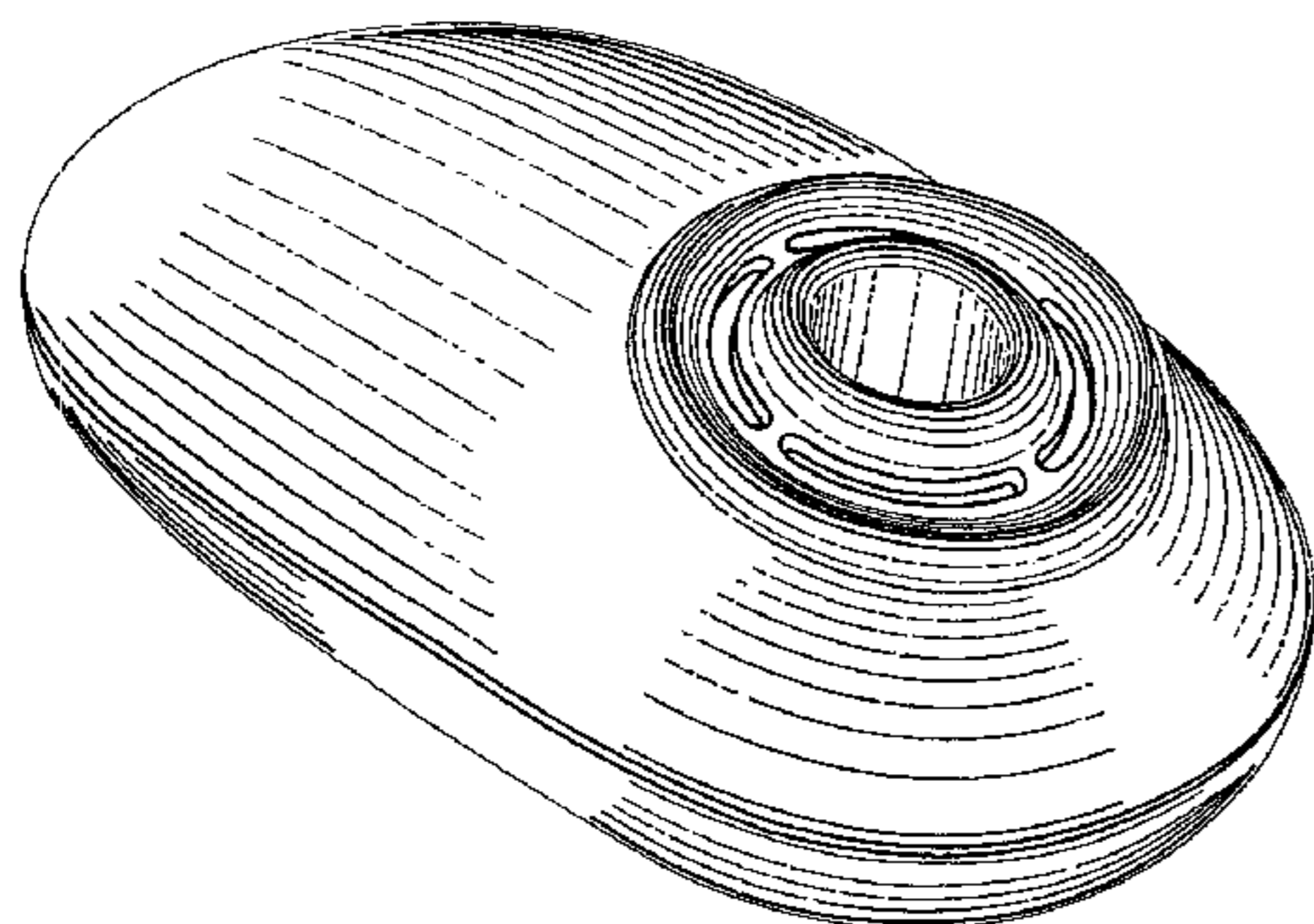
FIG. 4 is a front view thereof

FIG. 5 is a side view thereof, the opposite side being a mirror image thereof; and,

FIG. 6 is a top view thereof.

The broken line showing is for illustrative purposes only and forms no part of the claimed design.

1 Claim, 2 Drawing Sheets



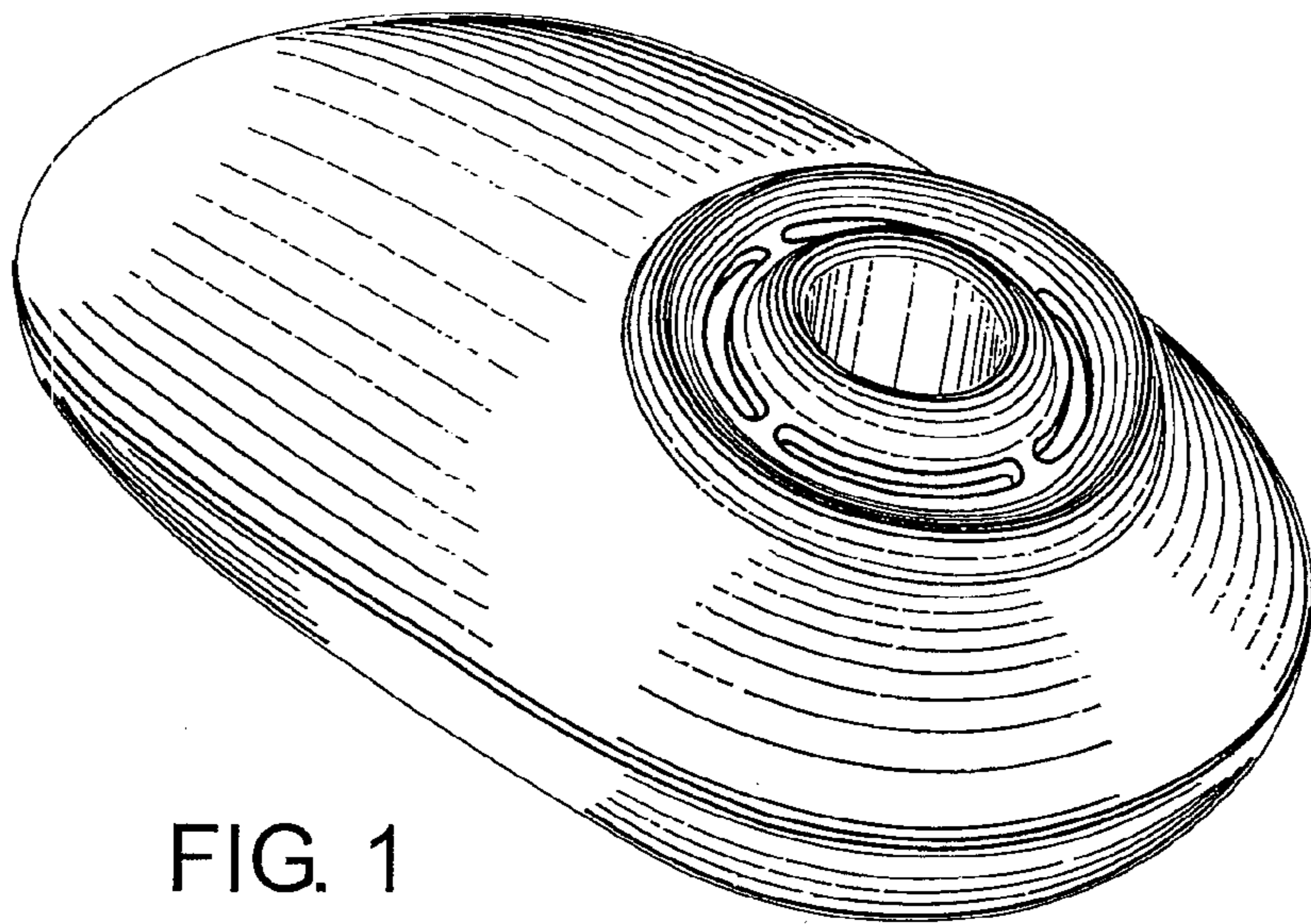


FIG. 1

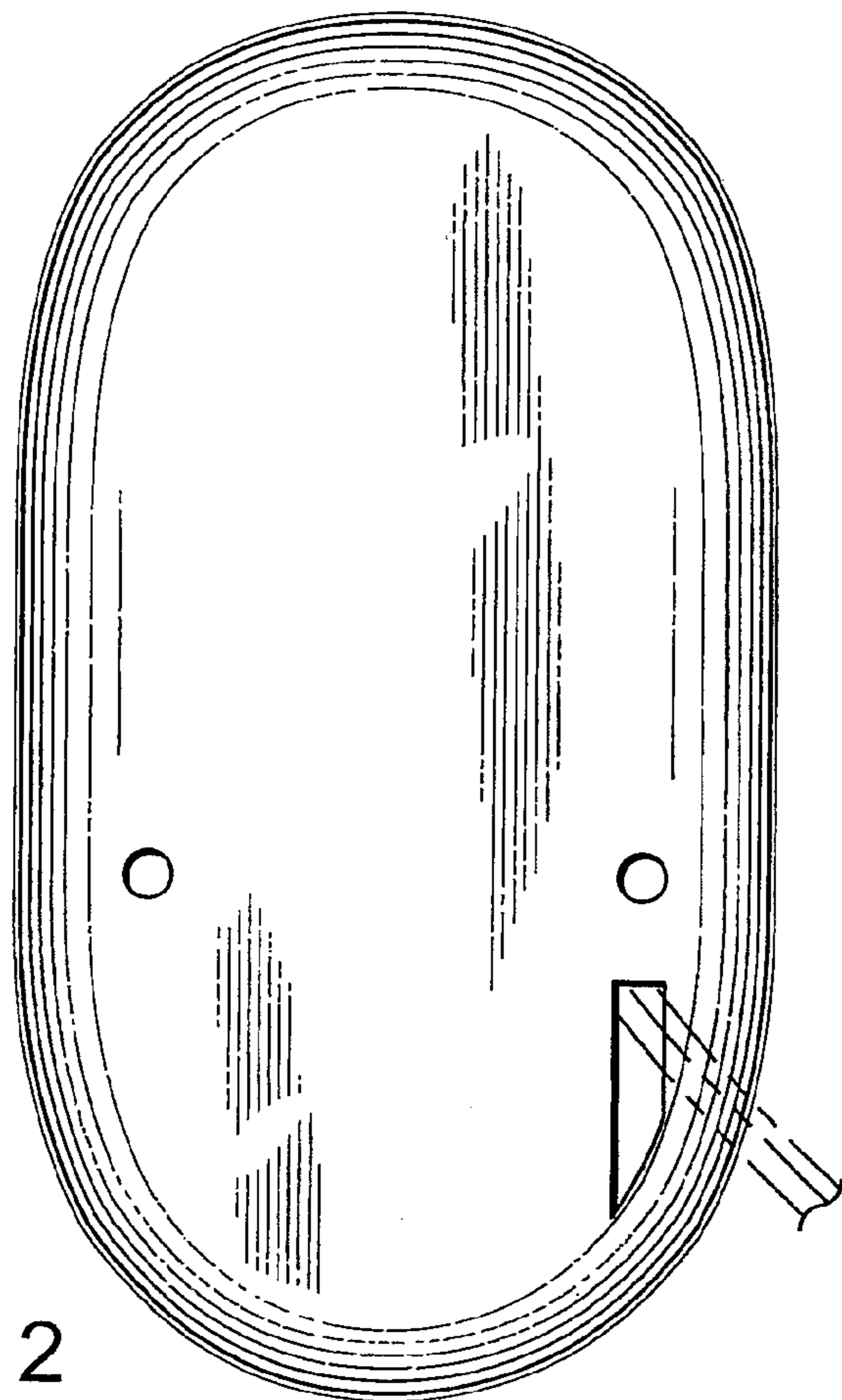


FIG. 2

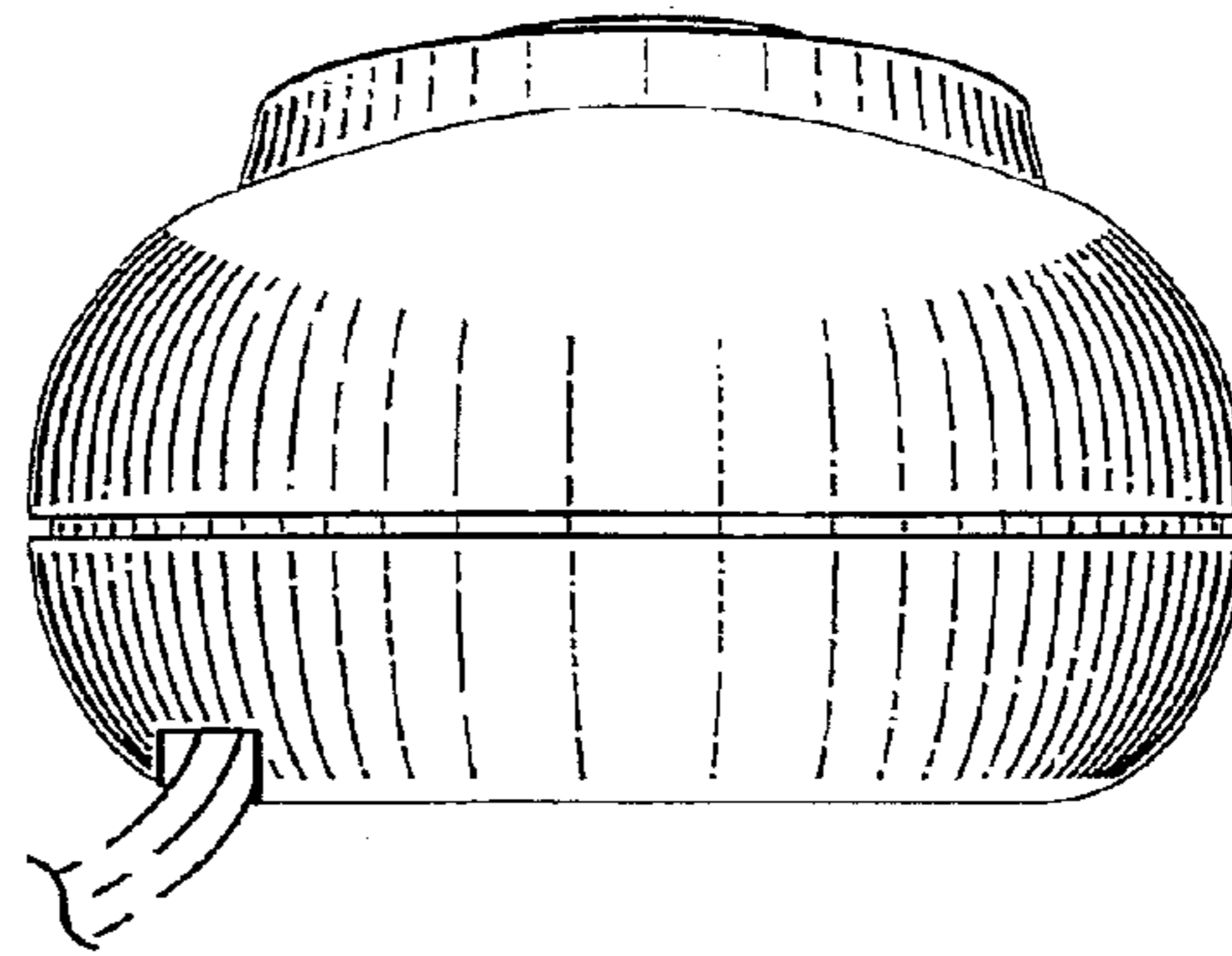


FIG. 3

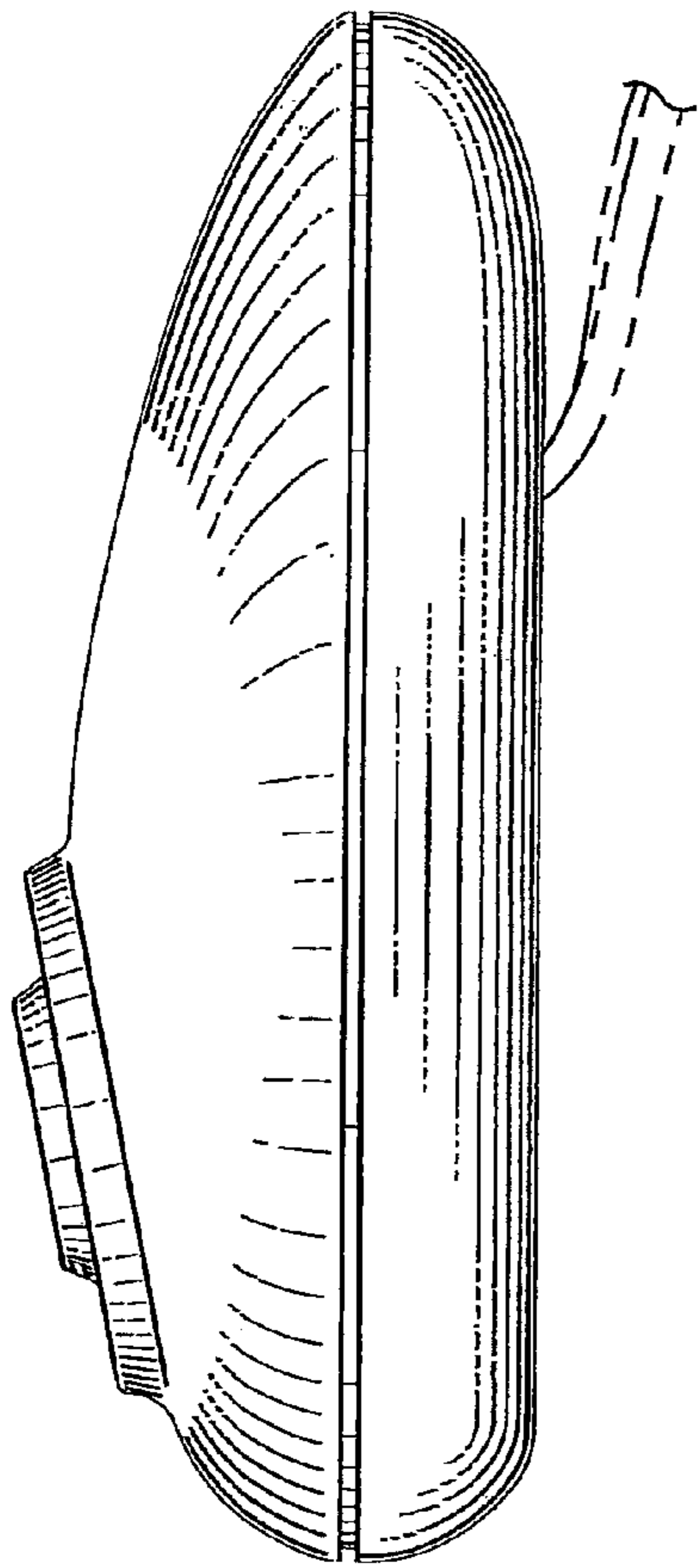


FIG. 5

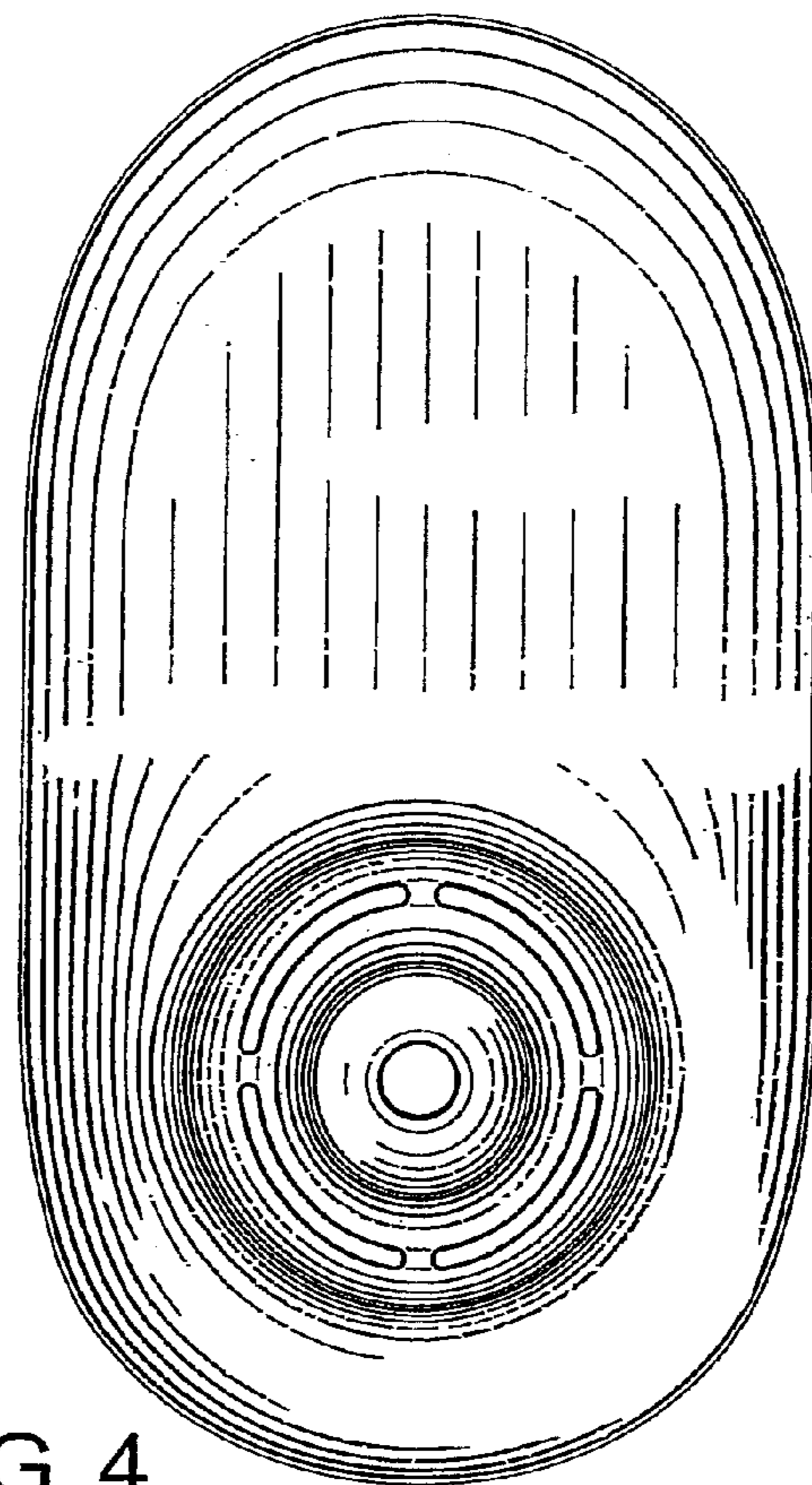


FIG. 4

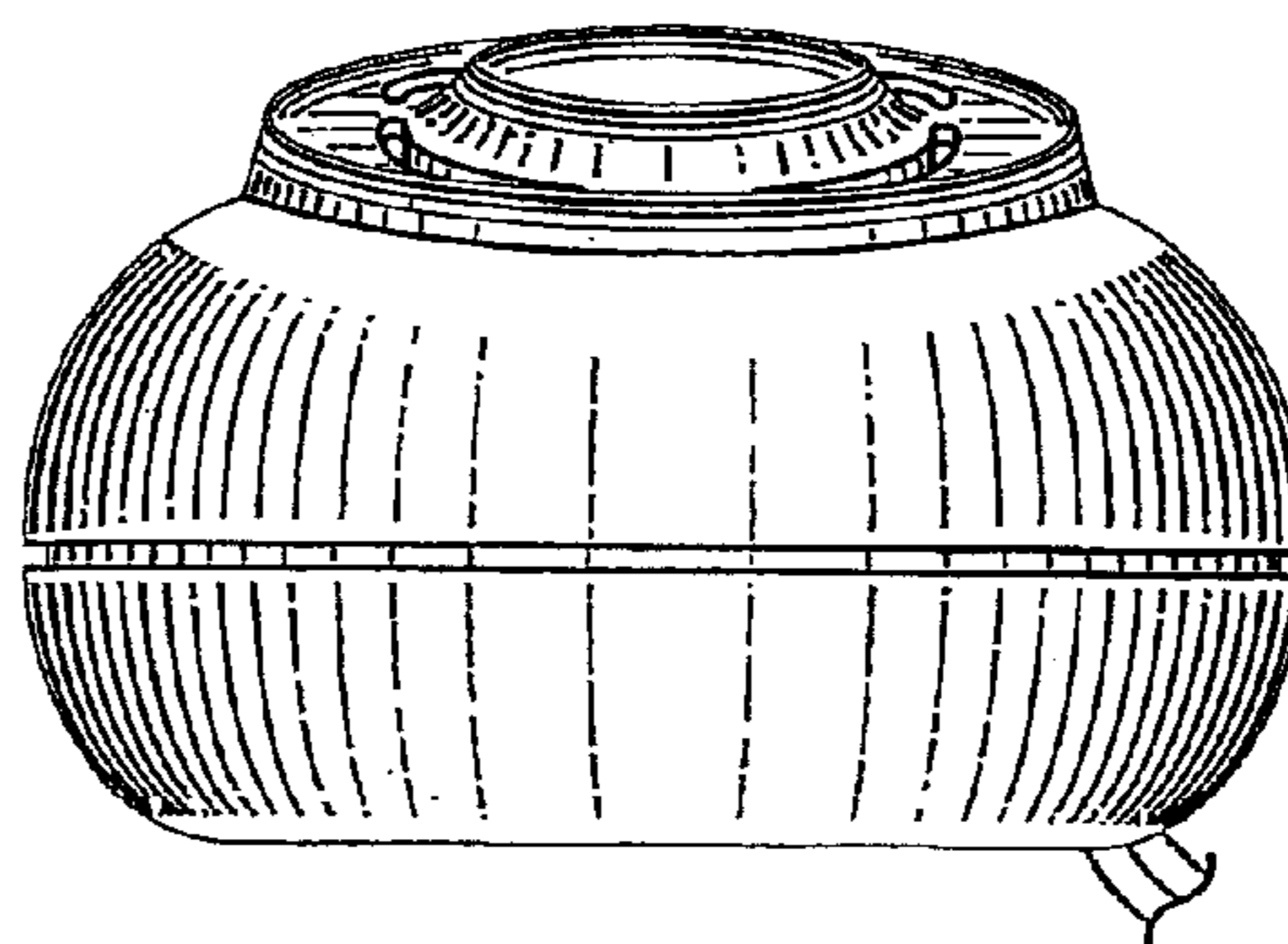


FIG. 6