



US00D542683S

(12) **United States Design Patent**
Long, III et al.

(10) **Patent No.:** **US D542,683 S**

(45) **Date of Patent:** **** May 15, 2007**

(54) **PORTABLE DIAGNOSTIC INSTRUMENT
PROTECTIVE BOOT**

D497,817 S * 11/2004 Lord D10/78
D519,046 S * 4/2006 Lipscomb et al. D10/78
D519,047 S * 4/2006 Sydlowski et al. D10/78

(75) Inventors: **William Glenn Long, III**, Louisville,
KY (US); **Brandon Emerson Powers**,
Louisville, KY (US)

* cited by examiner

(73) Assignee: **Environmental Refurbishment
Services, Inc.**, Louisville, KY (US)

Primary Examiner—Antoine D. Davis
(74) *Attorney, Agent, or Firm*—Carrithers Law Office
PLLC; David W. Carrithers

(**) Term: **14 Years**

(57) **CLAIM**

(21) Appl. No.: **29/238,821**

We claim the ornamental design for a portable diagnostic
instrument protective boot, as shown and described.

(22) Filed: **Sep. 21, 2005**

DESCRIPTION

Related U.S. Application Data

(63) Continuation-in-part of application No. 11/120,131, filed on
May 2, 2005.

FIG. 1 is a perspective view of a portable diagnostic
instrument protective boot showing my new design;

(51) **LOC (8) Cl.** **10-04**

(52) **U.S. Cl.** **D10/103**

FIG. 2 is a front view thereof;

FIG. 3 is a rear view thereof;

(58) **Field of Classification Search** D10/78,

D10/103; 364/424.03, 424.04, 431.04, 551.01;

340/825.5, 439; 324/76.12; 701/24, 29, 33,

701/34, 35, 102; 702/57; 206/724

FIG. 4 is a left side view thereof;

FIG. 5 is a right side view thereof;

FIG. 6 is a top view thereof; and,

FIG. 7 is a bottom view thereof.

See application file for complete search history.

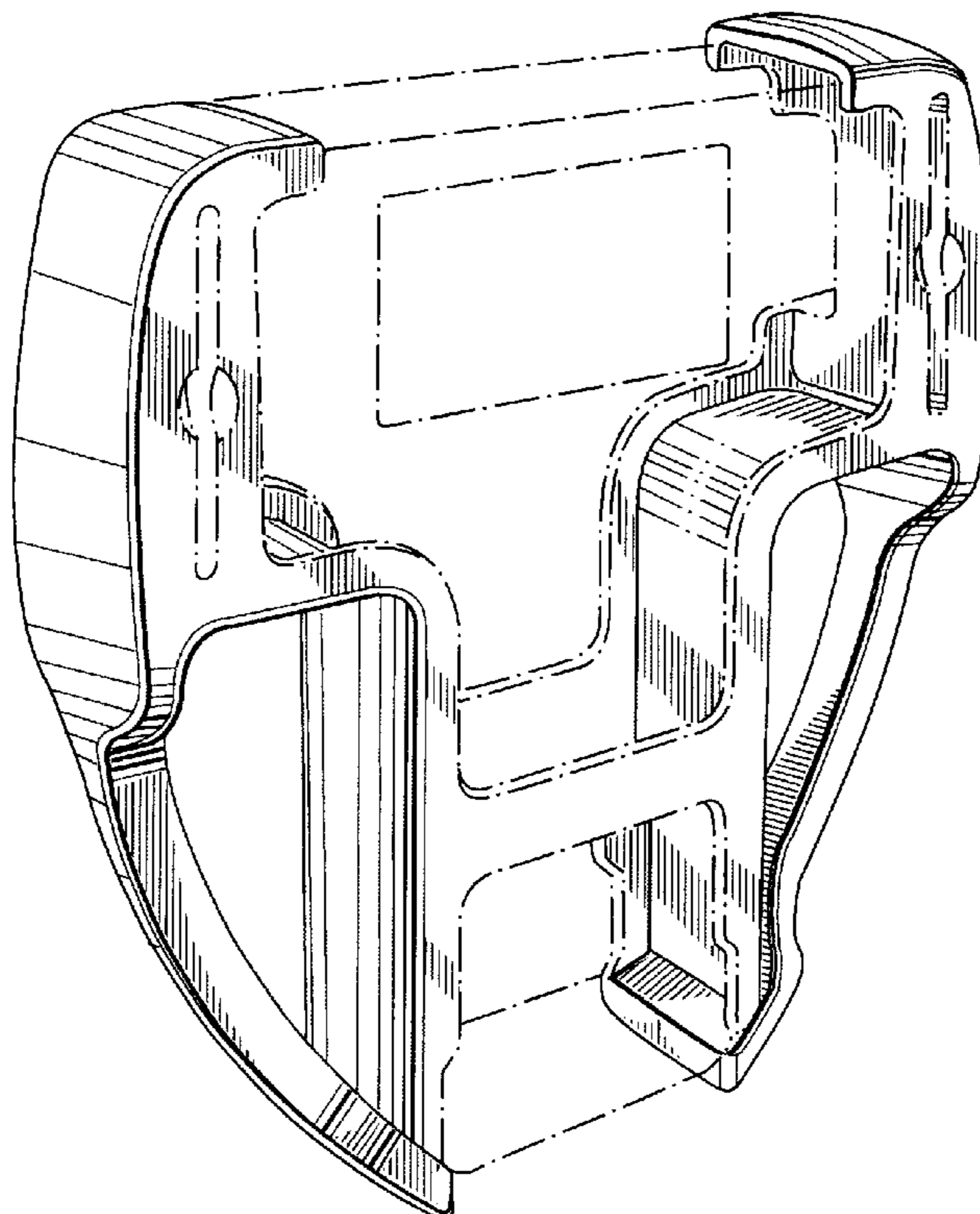
The broken line showing of instrument and software card
holding slots, body of the landscape light and base are
included for the purpose of illustrating boundaries and forms
no part of the claimed design.

(56) **References Cited**

U.S. PATENT DOCUMENTS

D449,549 S * 10/2001 Hoelbl D10/78

1 Claim, 3 Drawing Sheets



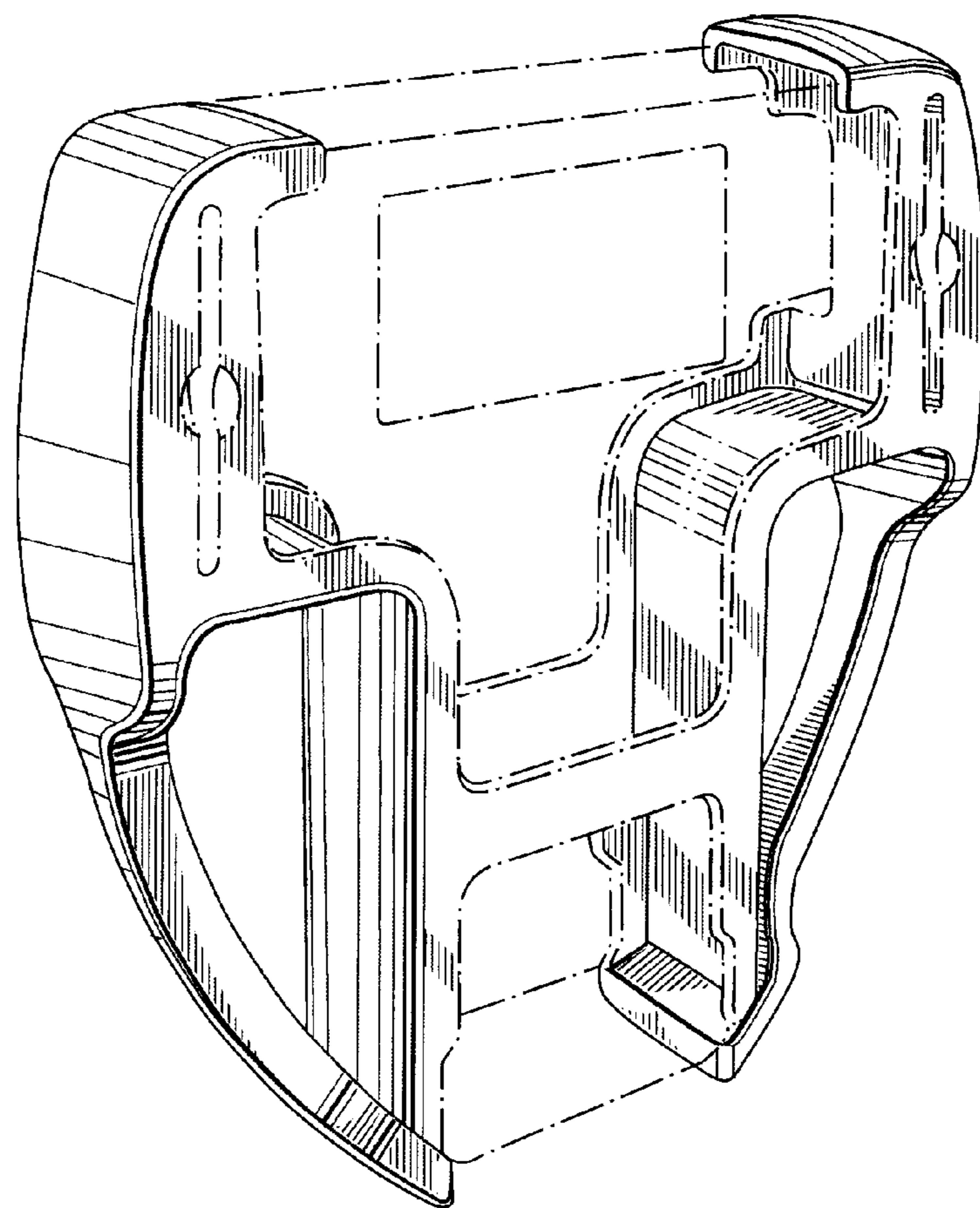


FIG. 1

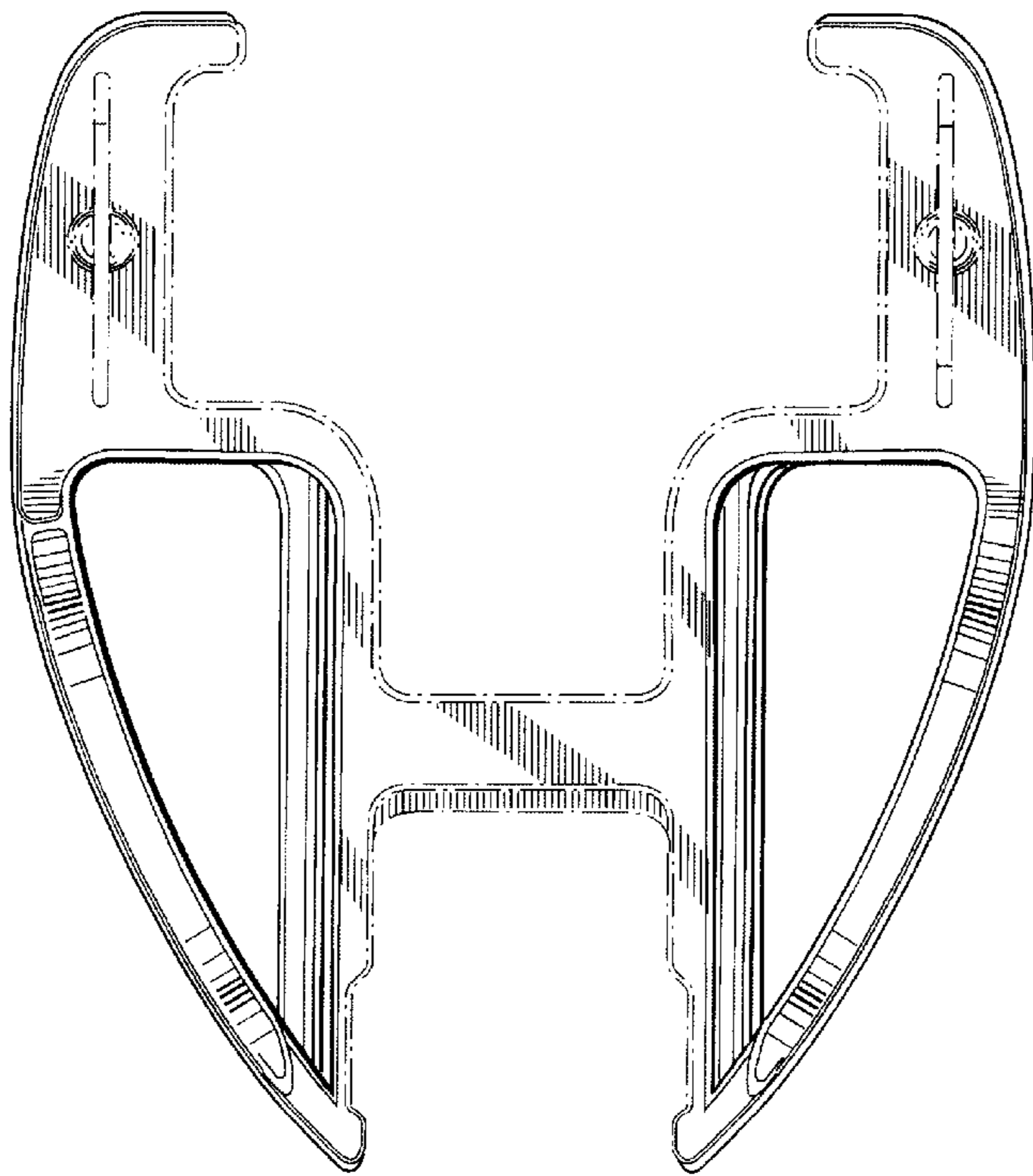


FIG. 2

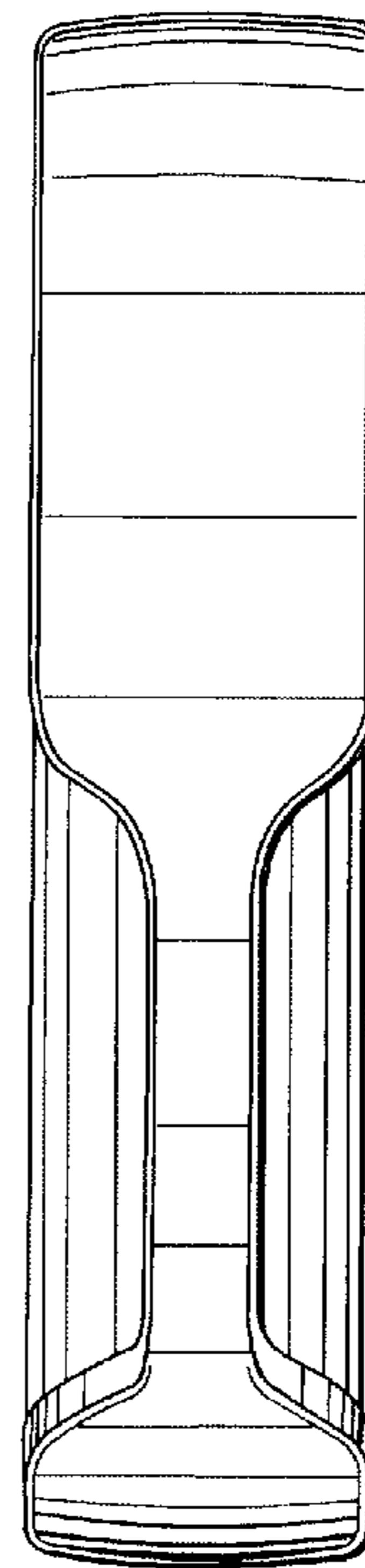


FIG. 4

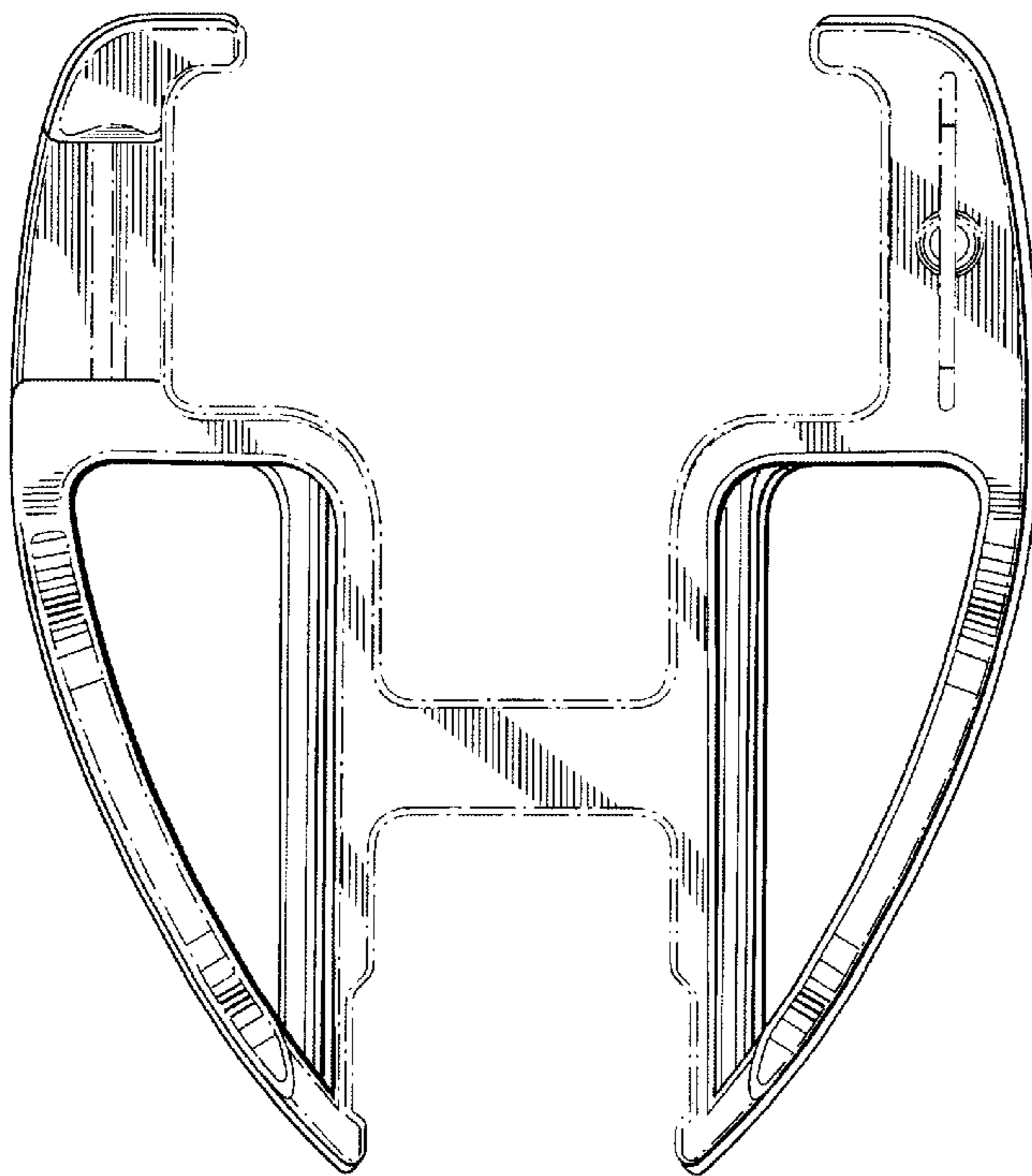


FIG. 3

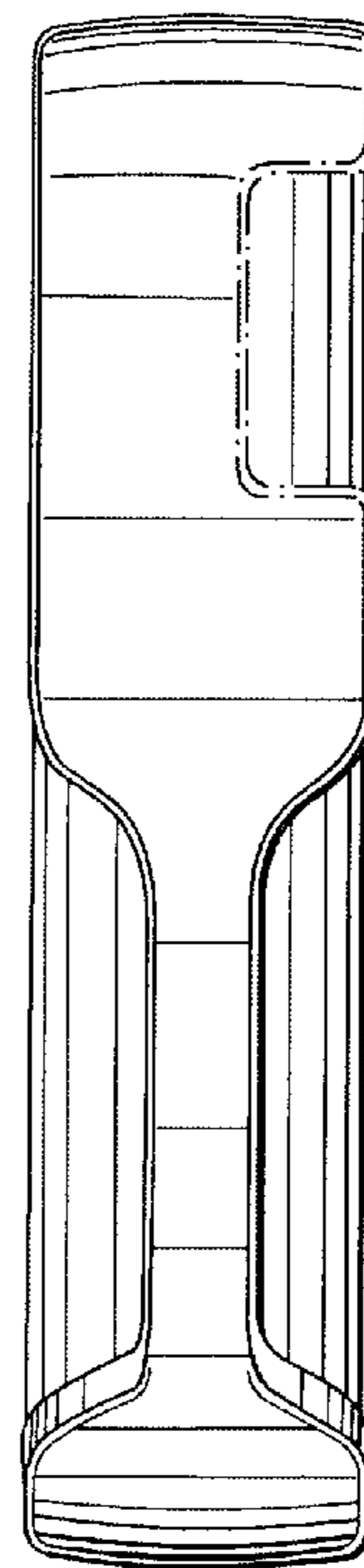


FIG. 5

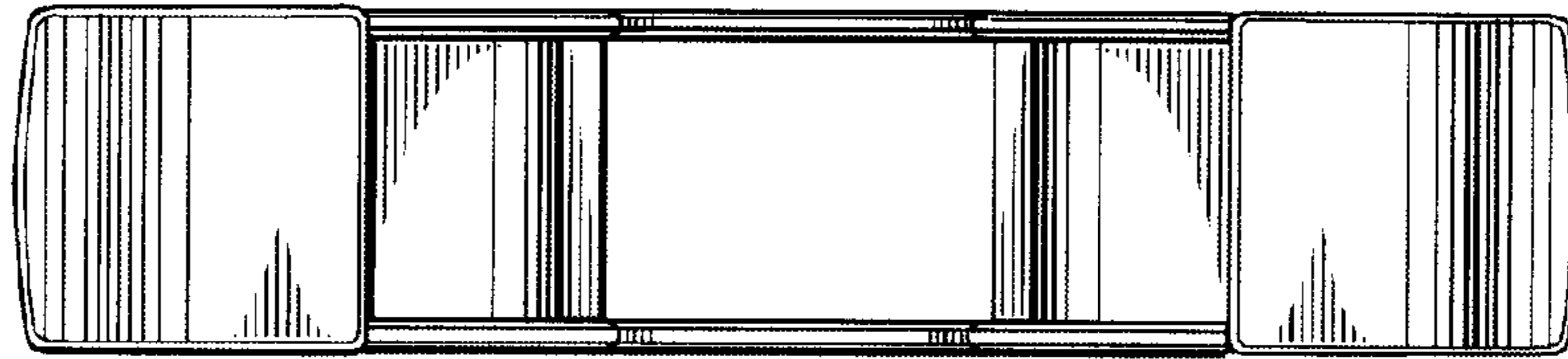


FIG. 6

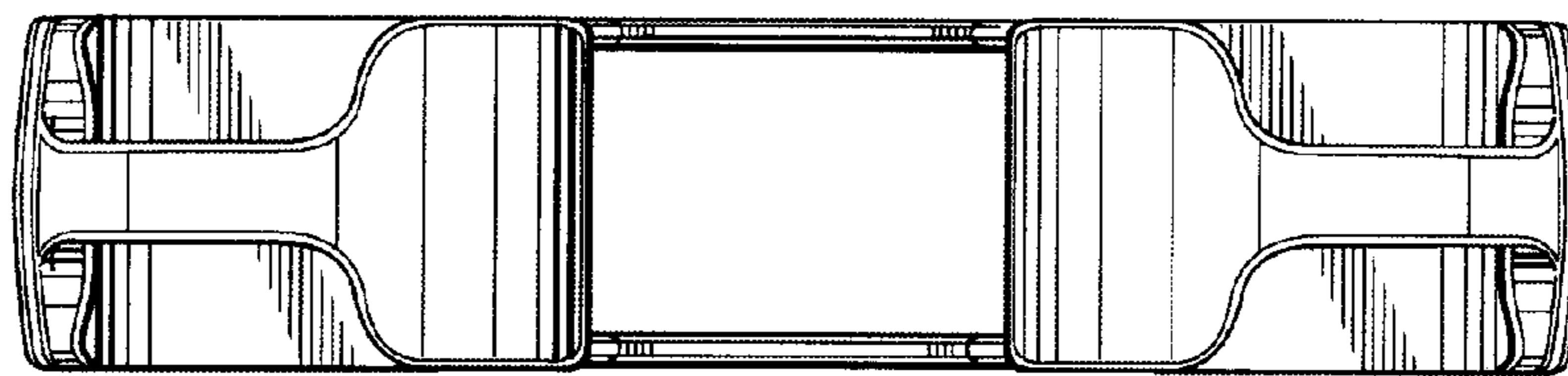


FIG. 7