



US00D542678S

(12) **United States Design Patent**  
**Miller**

(10) **Patent No.:** **US D542,678 S**

(45) **Date of Patent:** **\*\* May 15, 2007**

- (54) **RUGGED, WATER AND DUST RESISTANT HANDHELD AND MOUNTABLE GPS DEVICE**
- (75) Inventor: **Joel Miller**, Astoria, NY (US)
- (73) Assignee: **Mobile Crossing, Inc.**, Sunnyvale, CA (US)
- (\*\*) Term: **14 Years**
- (21) Appl. No.: **29/251,934**
- (22) Filed: **Jan. 17, 2006**
- (51) **LOC (8) Cl.** ..... **10-04**
- (52) **U.S. Cl.** ..... **D10/65**
- (58) **Field of Classification Search** ..... D10/65, D10/70; 340/539.13, 995.1; 342/357.13, 342/357.06-357.09, 357.1; 343/702; 455/566, 455/575.1, 150.1, 151.3, 90.1, 12.1, 456.1  
See application file for complete search history.

- D506,937 S \* 7/2005 Lee et al. .... D10/65
- D507,979 S 8/2005 Robinson et al.
- D508,213 S \* 8/2005 Silzer et al. .... D10/65
- D509,760 S \* 9/2005 Burrell et al. .... D10/65
- D510,285 S 10/2005 Skelton et al.
- 6,977,617 B2 \* 12/2005 Asano et al. .... 343/702
- D515,441 S \* 2/2006 Shindo ..... D10/65
- D517,932 S \* 3/2006 Lum ..... D10/65
- 7,054,670 B2 \* 5/2006 Wang et al. .... 455/566

\* cited by examiner

*Primary Examiner*—Antoine D. Davis

(57) **CLAIM**

The ornamental design for a rugged, water and dust resistant handheld and mountable GPS device, as shown and described.

**DESCRIPTION**

FIG. 1. is a frontal perspective view of a rugged, water and dust resistant handheld and mountable GPS device according to the present invention;

FIG. 2. is a front elevational view thereof;

FIG. 3. is a top plan view thereof;

FIG. 4. is a left end view thereof;

FIG. 5. is a right end view thereof;

FIG. 6. is a bottom plan view thereof;

FIG. 7. is a rear elevational view thereof;

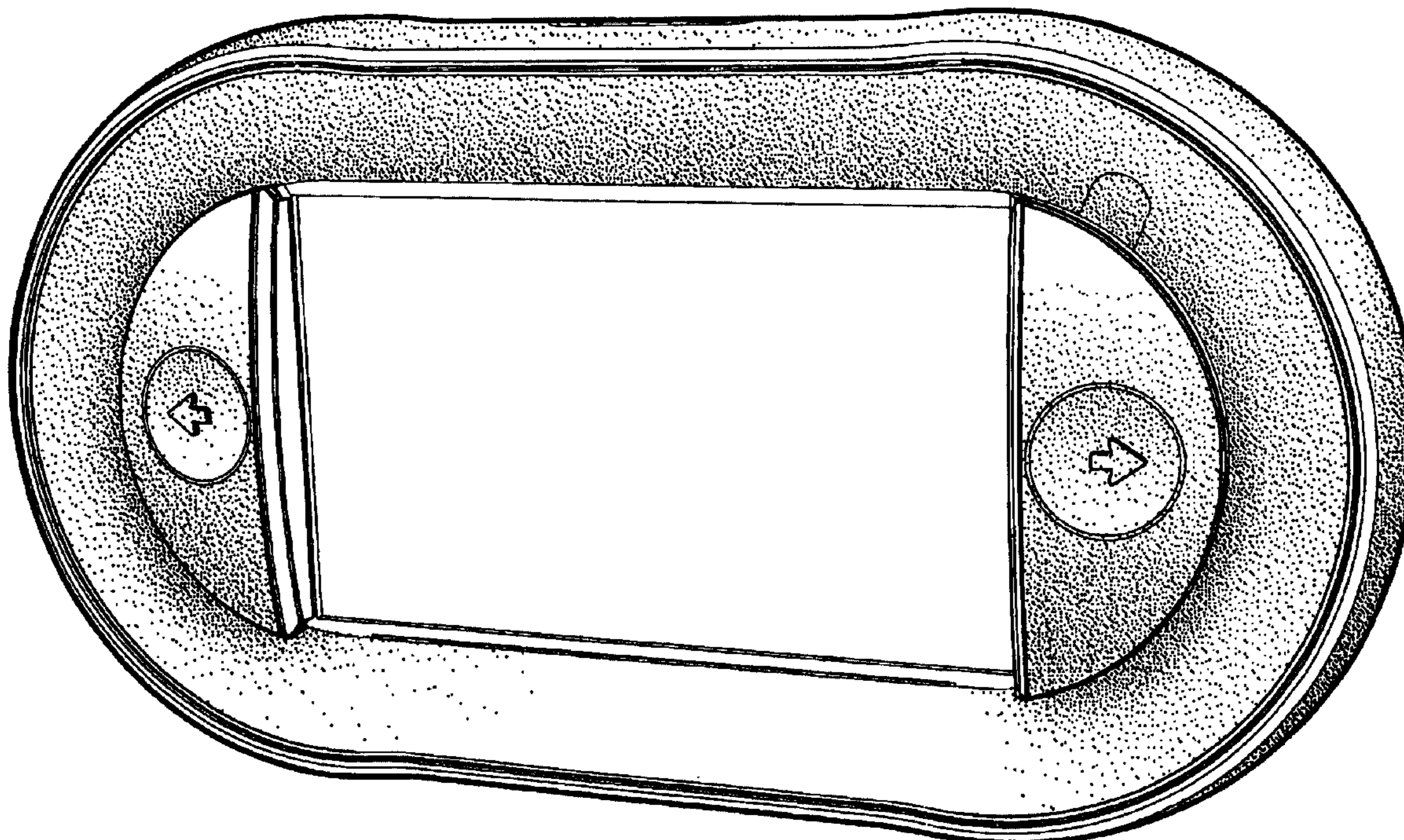
FIG. 8. is a rear perspective view of the rear antenna assembly fully raised thereof; and,

FIG. 9. is a rear perspective view of the rear antenna assembly fully raised and turned thereof.

**1 Claim, 9 Drawing Sheets**

(56) **References Cited**  
U.S. PATENT DOCUMENTS

- D366,220 S \* 1/1996 Sakamoto ..... D10/65
- D397,046 S 8/1998 Oshizawa
- D409,927 S 5/1999 Wiegiers et al.
- D447,708 S 9/2001 Fischer
- 6,418,309 B1 \* 7/2002 Moon et al. .... 455/418
- 6,501,429 B2 \* 12/2002 Nakamura et al. .... 343/702
- D469,367 S \* 1/2003 Mirabelli et al. .... D10/65
- 6,781,551 B2 \* 8/2004 Gerber ..... 343/702
- 6,876,871 B2 \* 4/2005 Hirayama et al. .... 455/566
- 6,912,463 B2 \* 6/2005 Miwa ..... 701/213





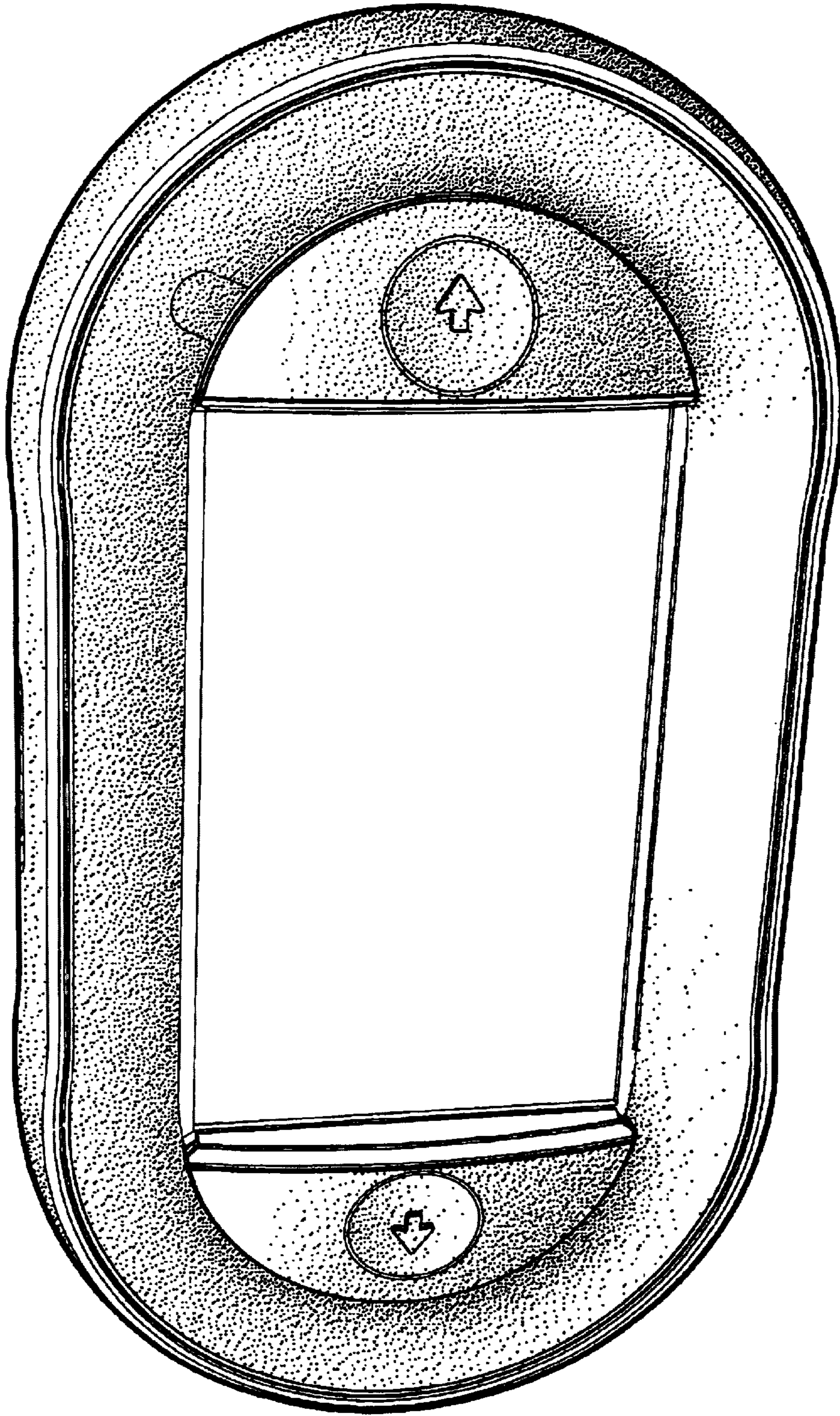


Fig. 1



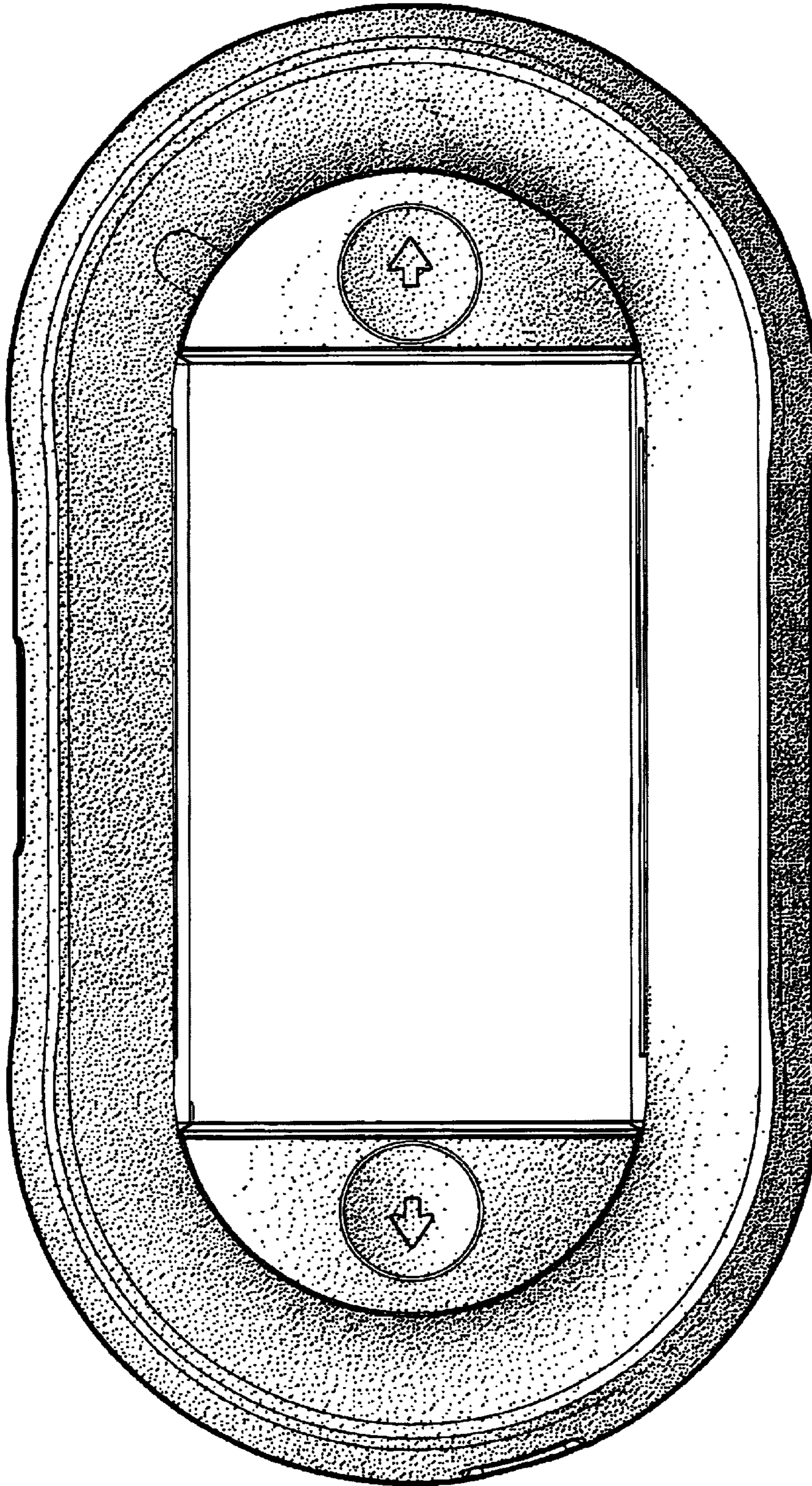


Fig. 2

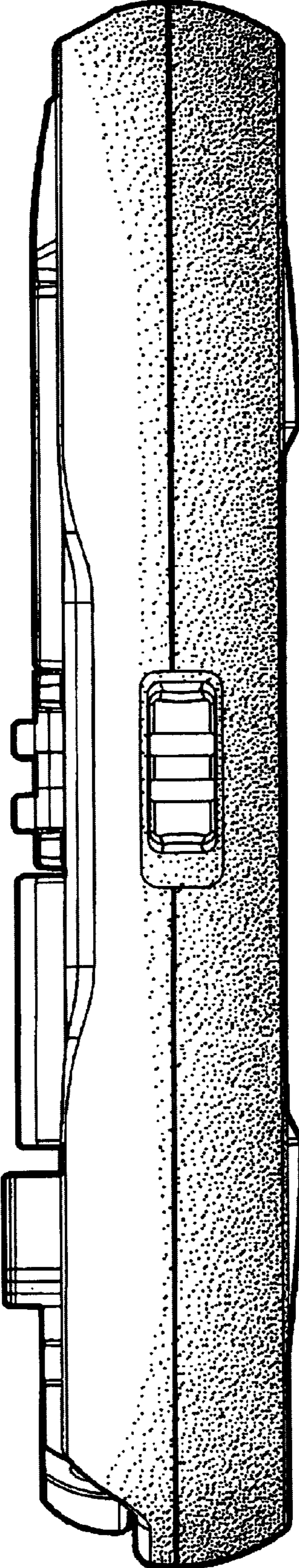


Fig. 3



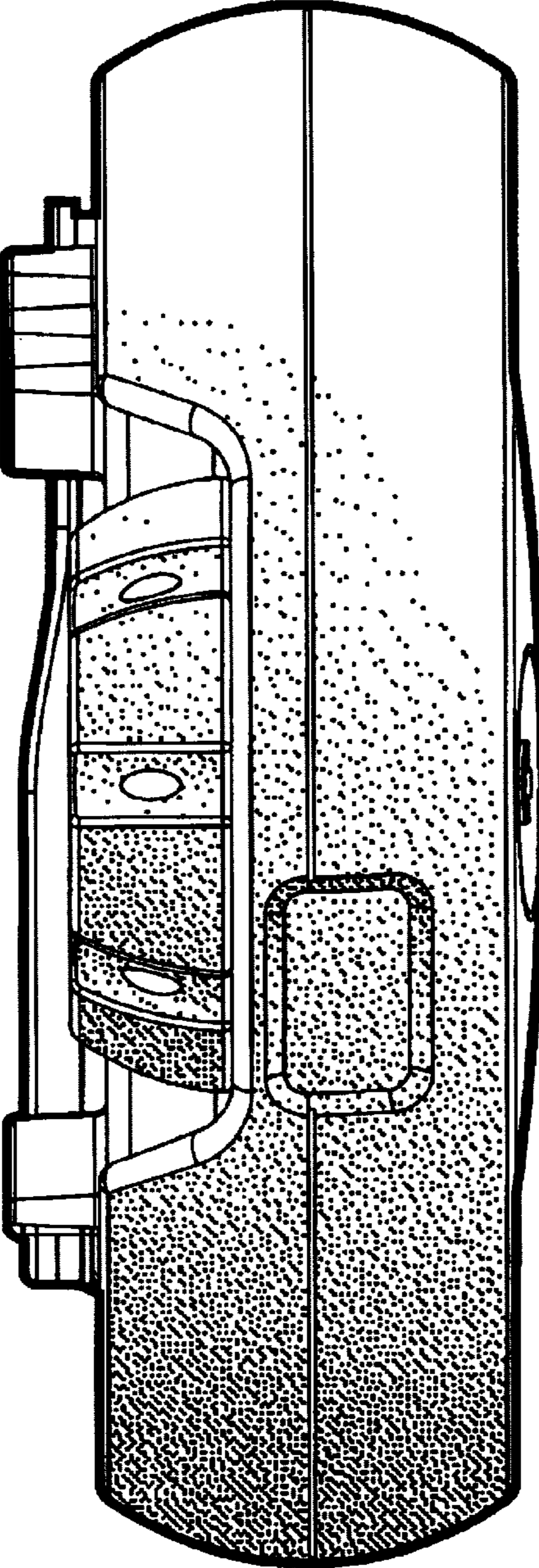


Fig. 4

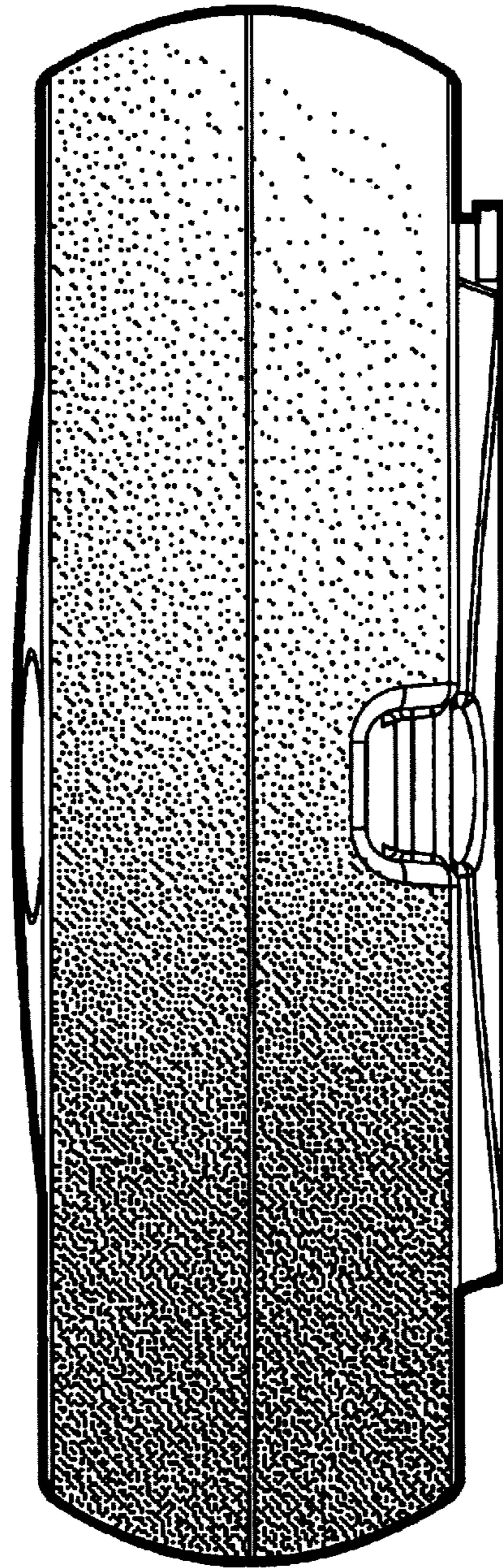


Fig. 5

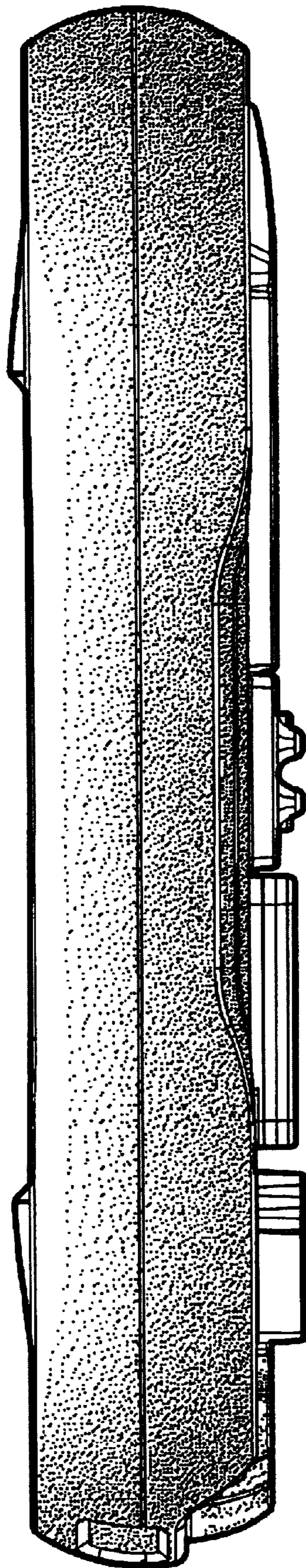


Fig. 6



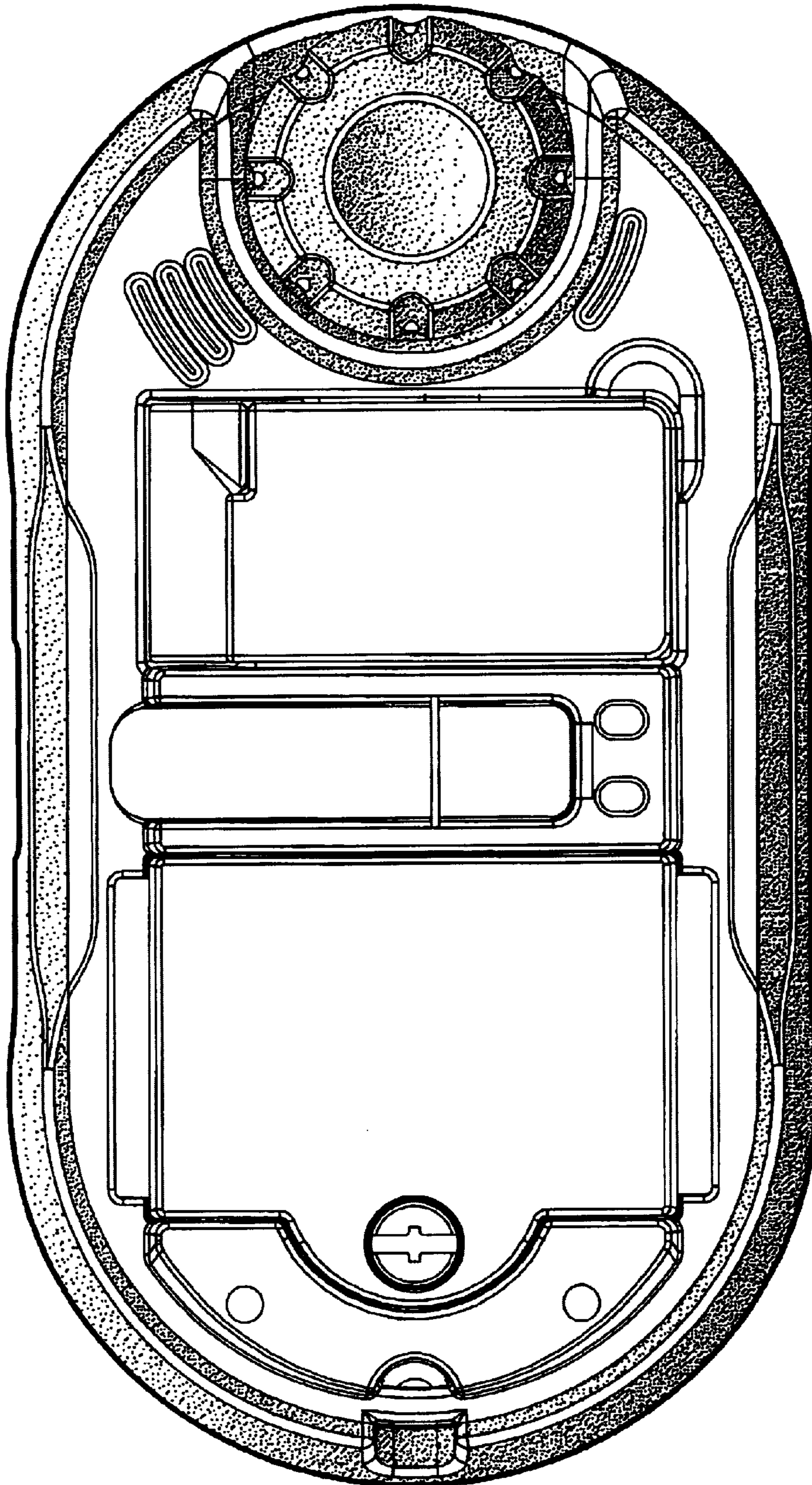


Fig. 7



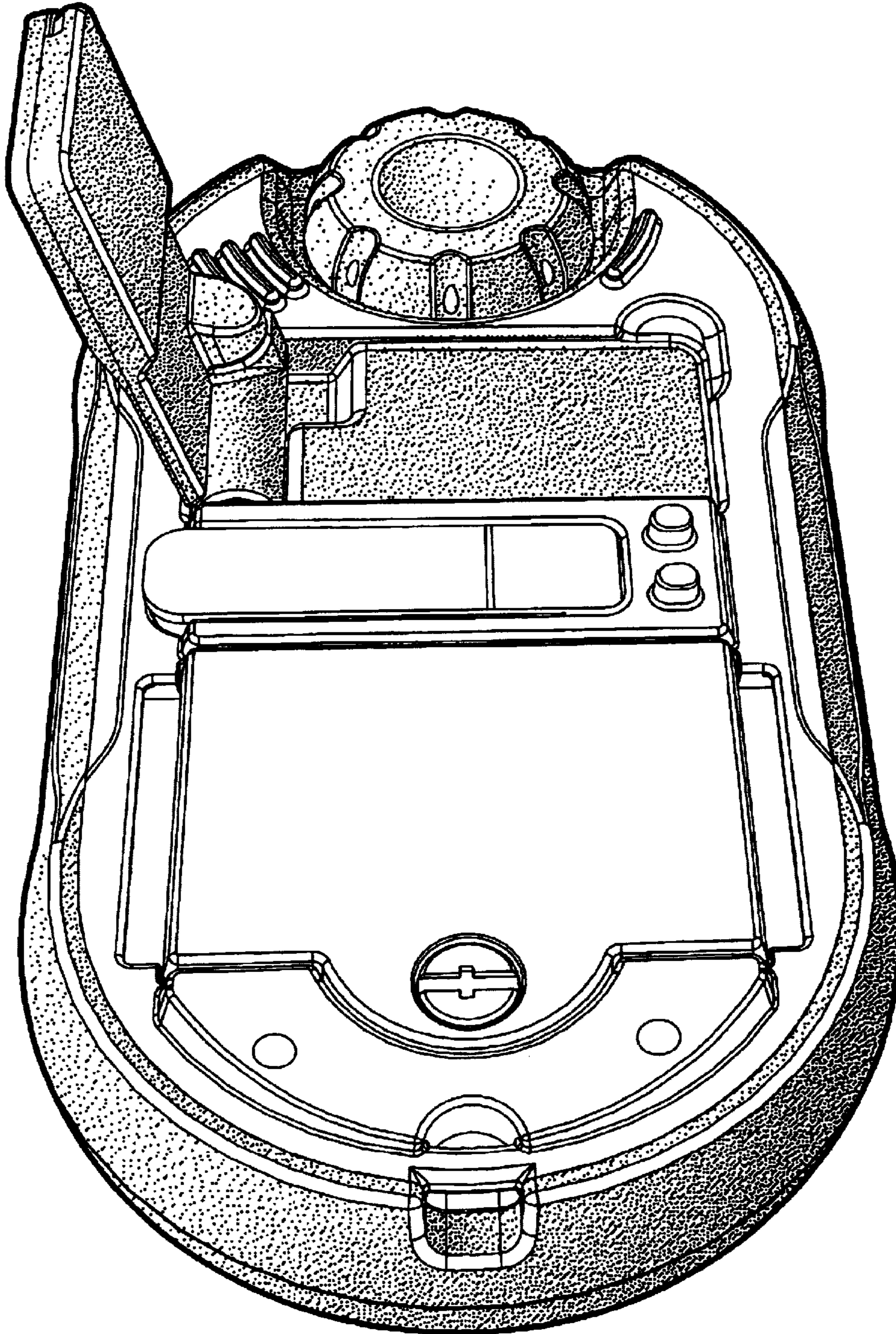


Fig. 8



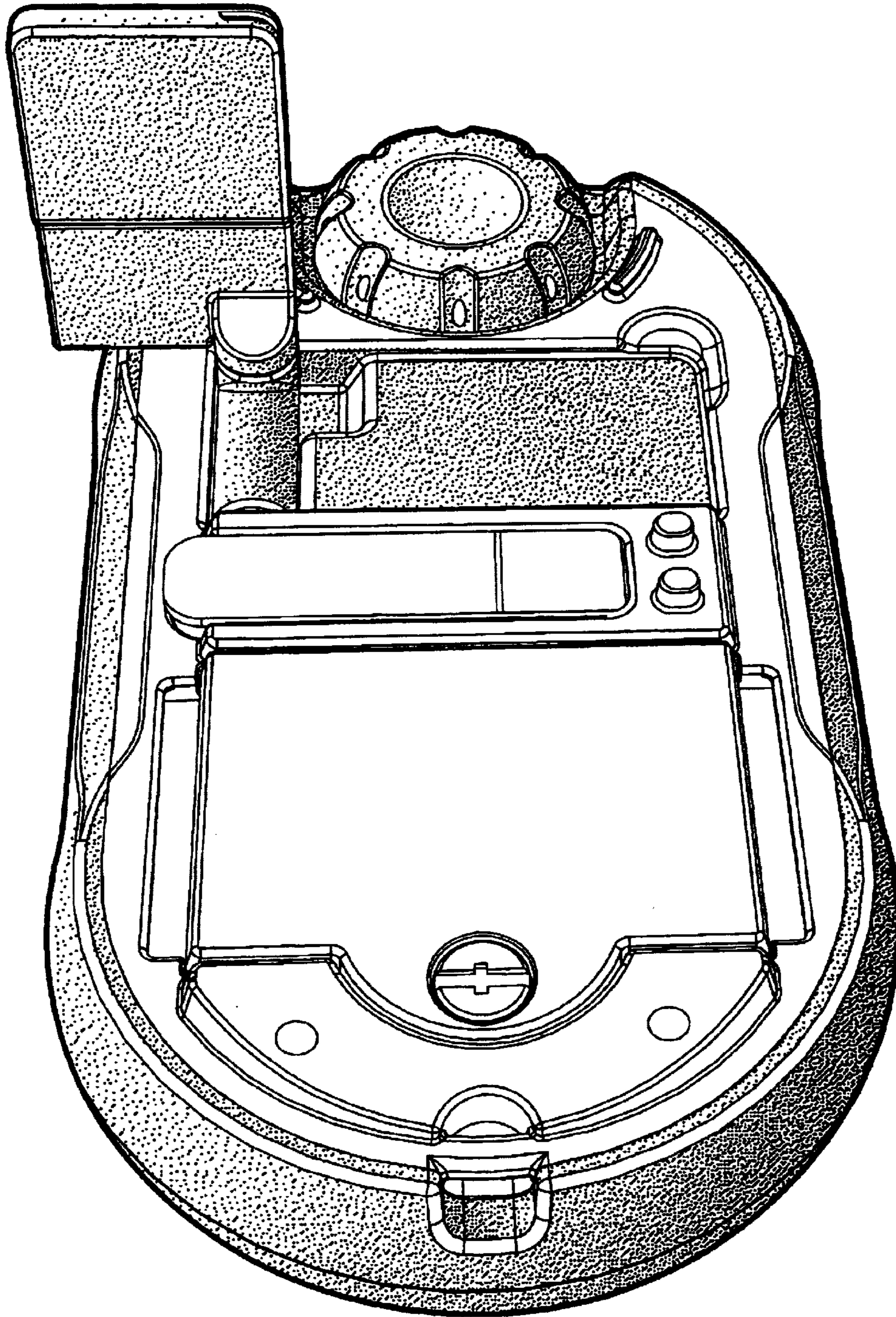


Fig. 9