

US00D542675S

(12) **United States Design Patent**
Luxton et al.

(10) **Patent No.:** **US D542,675 S**
(45) **Date of Patent:** **** May 15, 2007**

- (54) **RAZOR CASE**
- (75) Inventors: **Richard Hart Luxton**, Campton (GB);
Ayako Takase, Providence, RI (US);
Robert Hutton, IV, Providence, RI
(US); **Philip J. Karl**, Providence, RI
(US)
- (73) Assignee: **The Gillette Company**, Boston, MA
(US)
- (**) Term: **14 Years**

- (21) Appl. No.: **29/259,743**
- (22) Filed: **May 15, 2006**

- (51) **LOC (8) Cl.** **09-03**
- (52) **U.S. Cl.** **D9/749**
- (58) **Field of Classification Search** D9/749,
D9/737, 748, 415, 416, 430-432; D6/512,
D6/526; D28/73, 44, 99; D3/201, 205; 206/228,
206/240, 352, 775, 208, 493, 354-360
See application file for complete search history.

(56) **References Cited**
U.S. PATENT DOCUMENTS

2,432,818 A	12/1947	Schults
D159,807 S	8/1950	Hanson
3,095,965 A	7/1963	Stahl et al.
3,366,268 A	1/1968	Struck
3,444,990 A	5/1969	Braginetz
D216,635 S	2/1970	Grange
D227,234 S	6/1973	Glaberson
3,754,326 A	8/1973	Glaberson
3,822,781 A	7/1974	Braginetz
D256,995 S	9/1980	Kiraly
D258,270 S	2/1981	Gray
4,373,628 A	2/1983	Dantes
D313,175 S	12/1990	Motta et al.
D320,342 S	10/1991	Gray
5,113,586 A	5/1992	Lazarchik et al.
D336,426 S	6/1993	Fisher
5,228,580 A	7/1993	Grange
5,319,852 A	6/1994	Metzger
D349,242 S	8/1994	Lazarchik et al.
D352,236 S	11/1994	Althaus
5,407,066 A	4/1995	Grange

5,429,241 A	7/1995	Althaus	
5,457,887 A	10/1995	Grange	
D364,060 S	11/1995	Lai	
D370,844 S	6/1996	Shurtleff et al.	
5,782,346 A	* 7/1998	Gray et al.	206/228
D399,421 S	* 10/1998	Gray	D9/749
D401,145 S	* 11/1998	Gray	D9/749
D409,799 S	* 5/1999	Prochaska	D28/73
5,903,978 A	* 5/1999	Prochaska et al.	30/34.05
D425,296 S	* 5/2000	Shurtleff	D3/205
D433,187 S	* 10/2000	Dettman	D28/44
6,415,517 B1	* 7/2002	Worrick, III	30/541
D494,796 S	* 8/2004	Dansreau et al.	D6/526
6,946,624 B1	* 9/2005	Tomassetti	219/386
D519,644 S	* 4/2006	Jankowski et al.	D24/222

FOREIGN PATENT DOCUMENTS

EP	605 880 A2	12/1993
NL	80-04939	11/1980

OTHER PUBLICATIONS

Sheet of photographs for Feather Razor Co. Razor Holder.

* cited by examiner

Primary Examiner—Stella Reid
Assistant Examiner—Mark Goodwin
 (74) *Attorney, Agent, or Firm*—Kevin C. Johnson

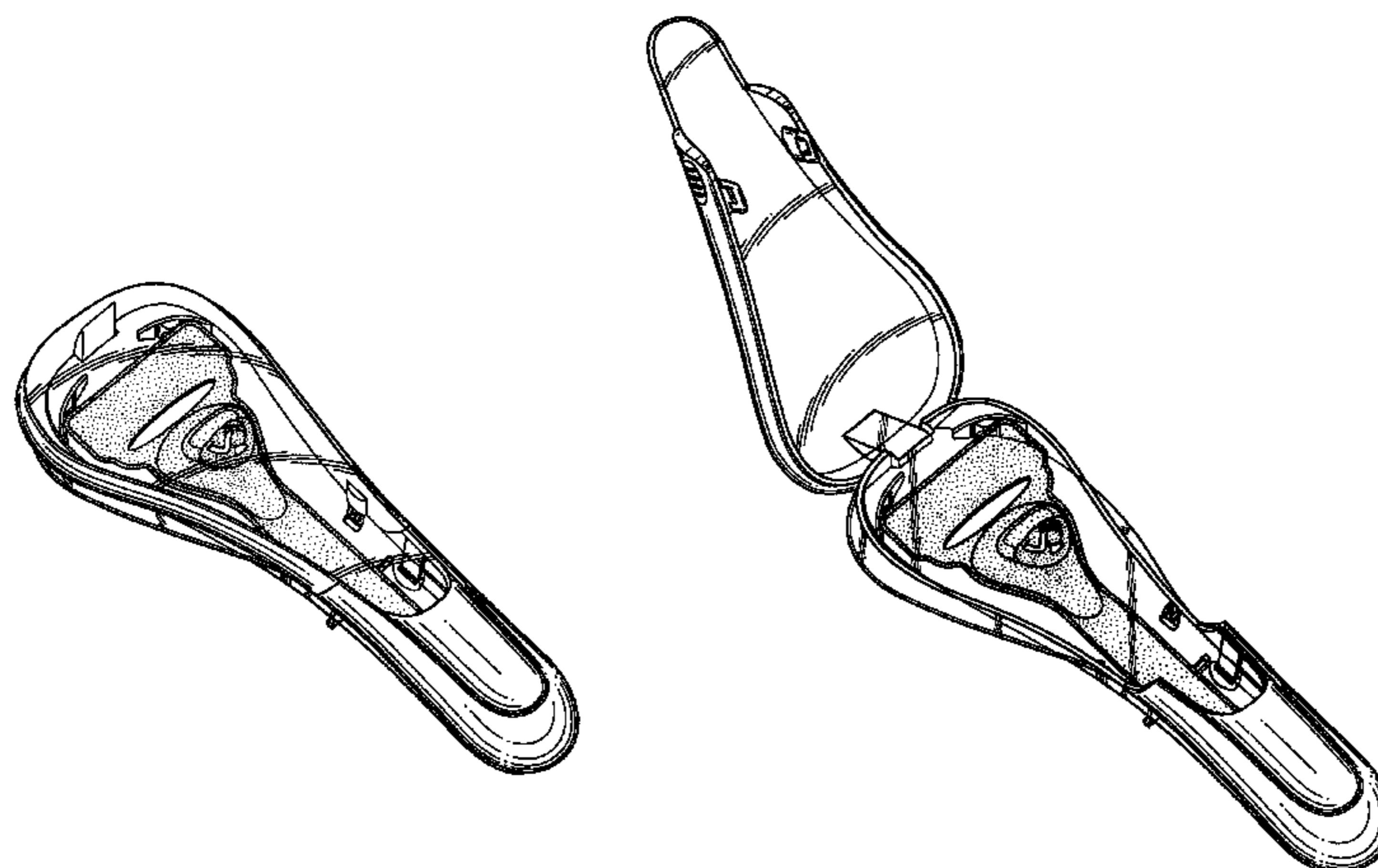
(57) **CLAIM**

The ornamental design for a razor case, as shown and described.

DESCRIPTION

FIG. 1 is a top front left perspective view of a razor case showing my new design;
 FIG. 2 is a top plan view thereof;
 FIG. 3 is a left side elevational view thereof, the right side elevation being a mirror image thereof;
 FIG. 4 is a bottom plan view thereof;
 FIG. 5 is a rear elevational view thereof;
 FIG. 6 is a front elevational view thereof; and,
 FIGS. 7-12 correspond respectively to FIGS. 1-6 except that the cover of the case is shown in open condition.

1 Claim, 8 Drawing Sheets



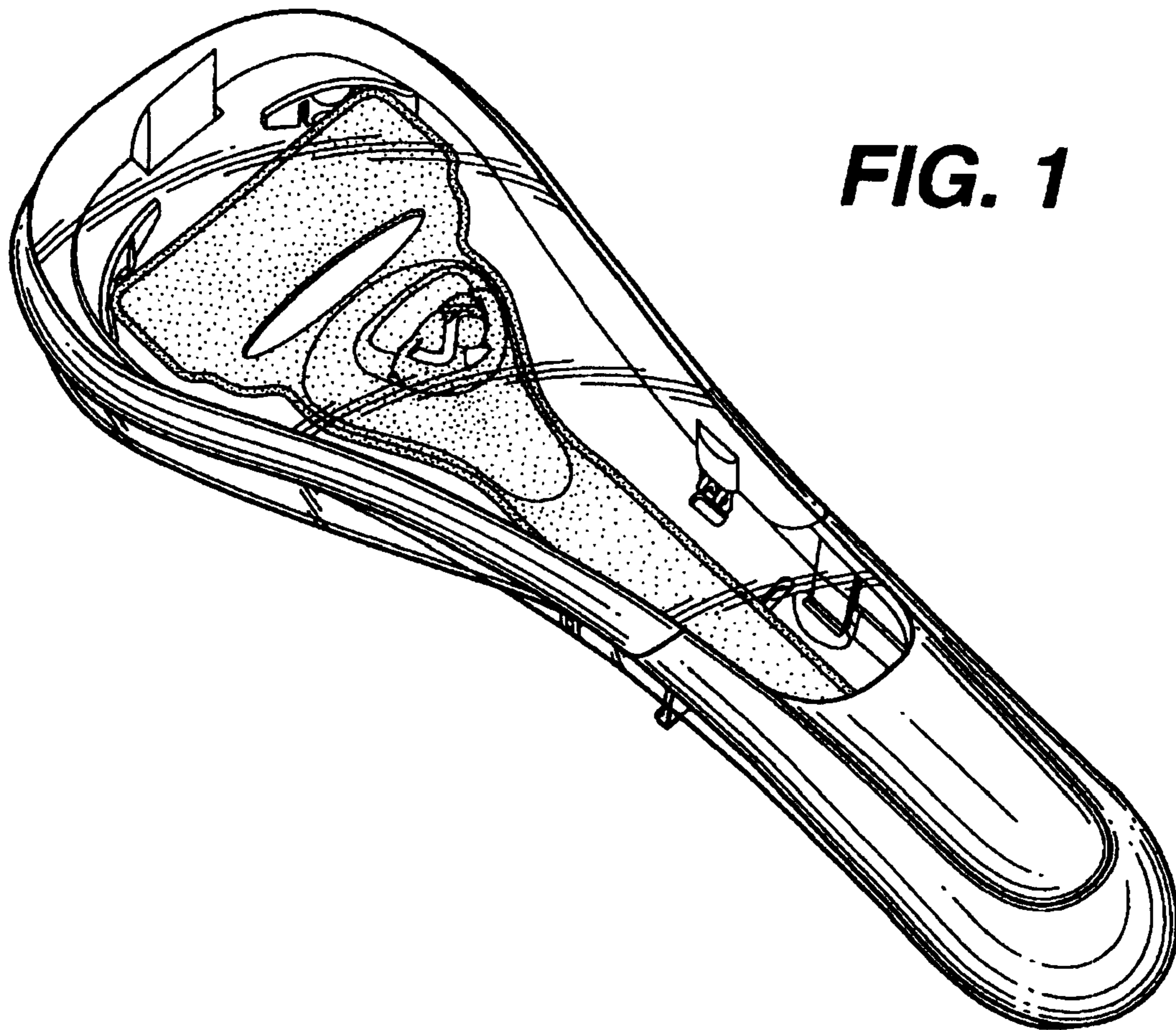


FIG. 2

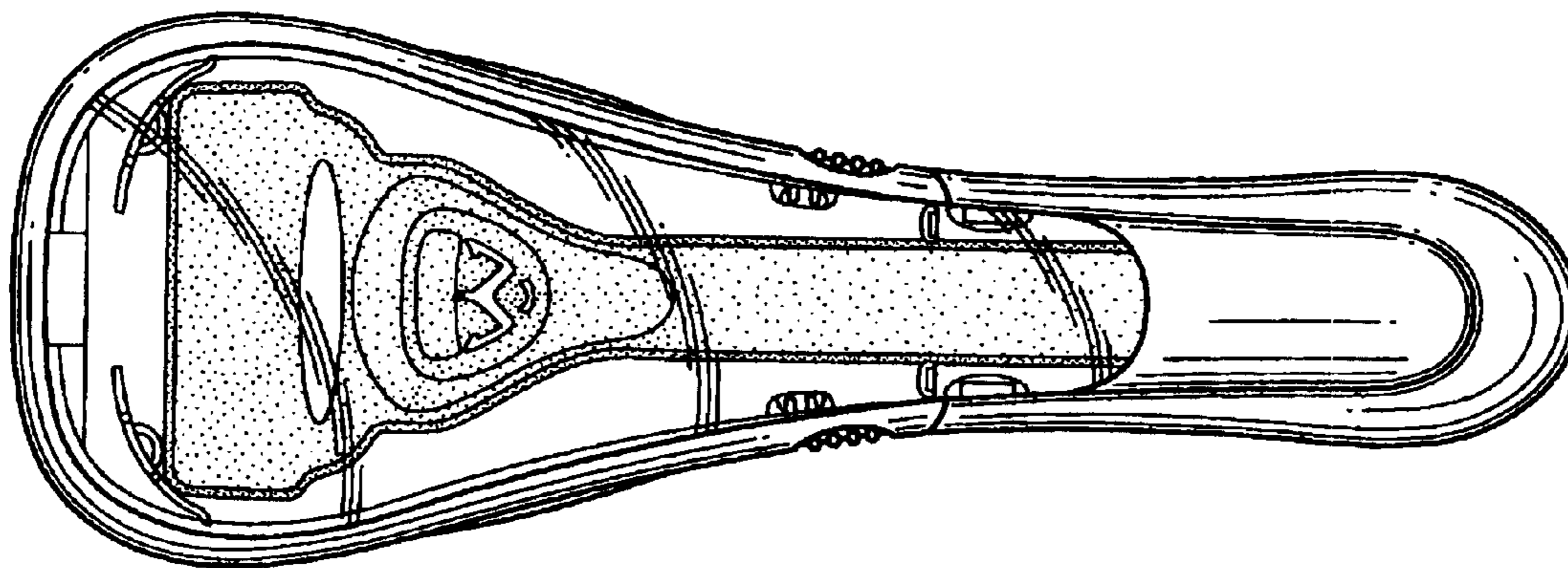


FIG. 3

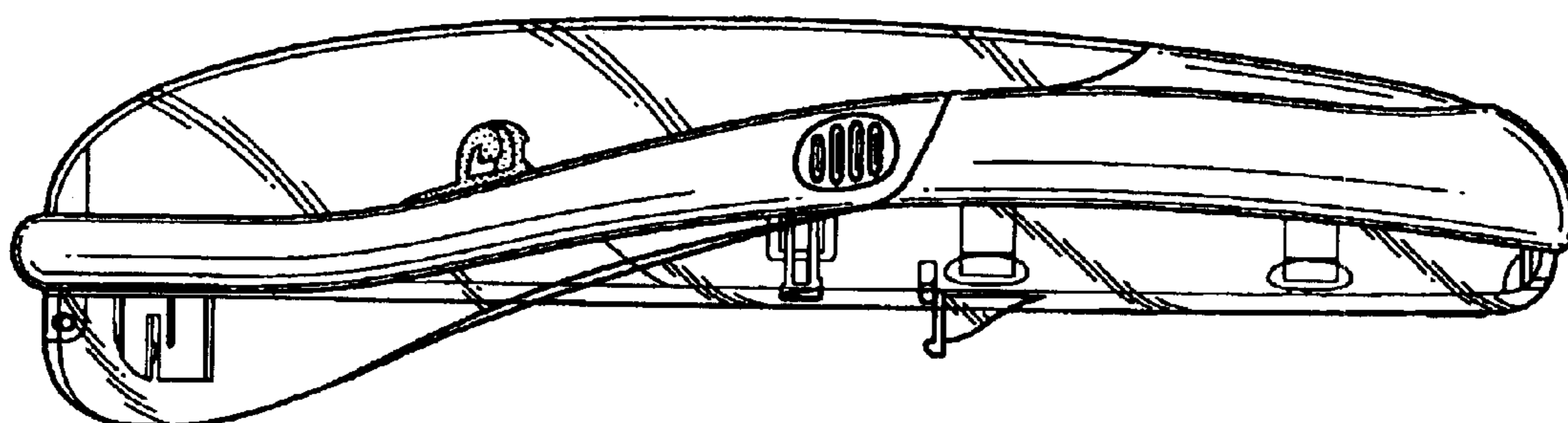


FIG. 4

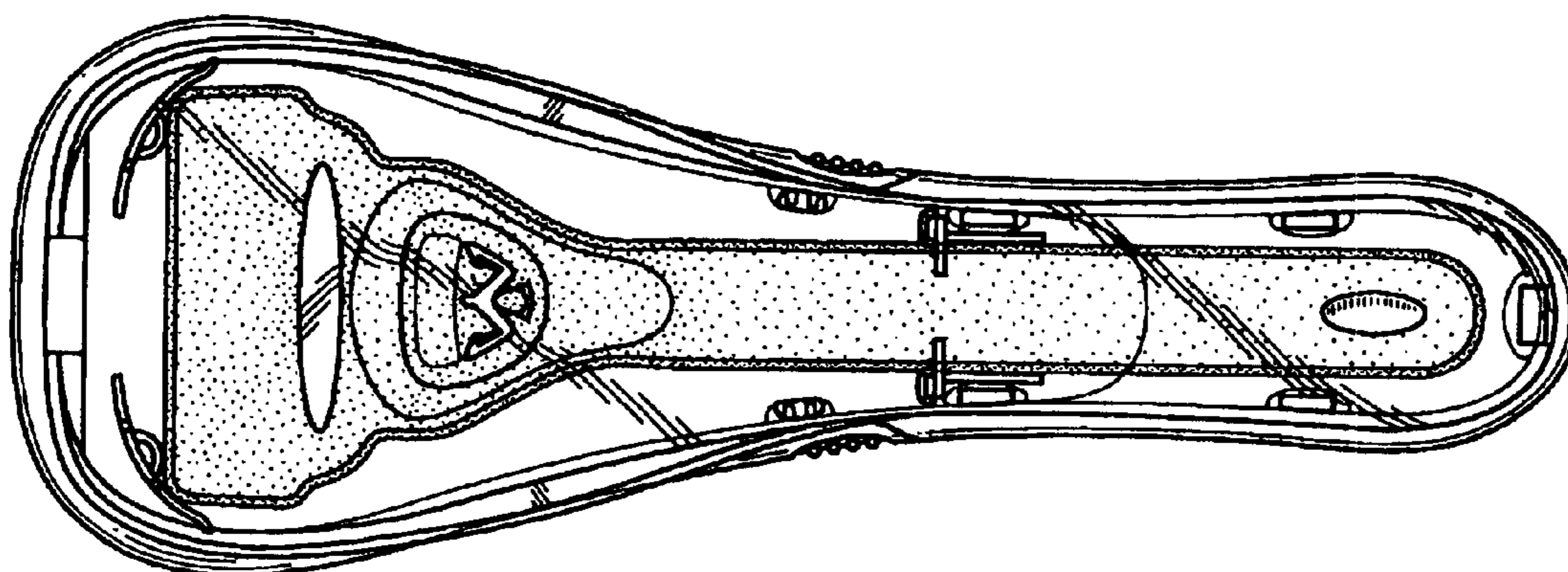


FIG. 5

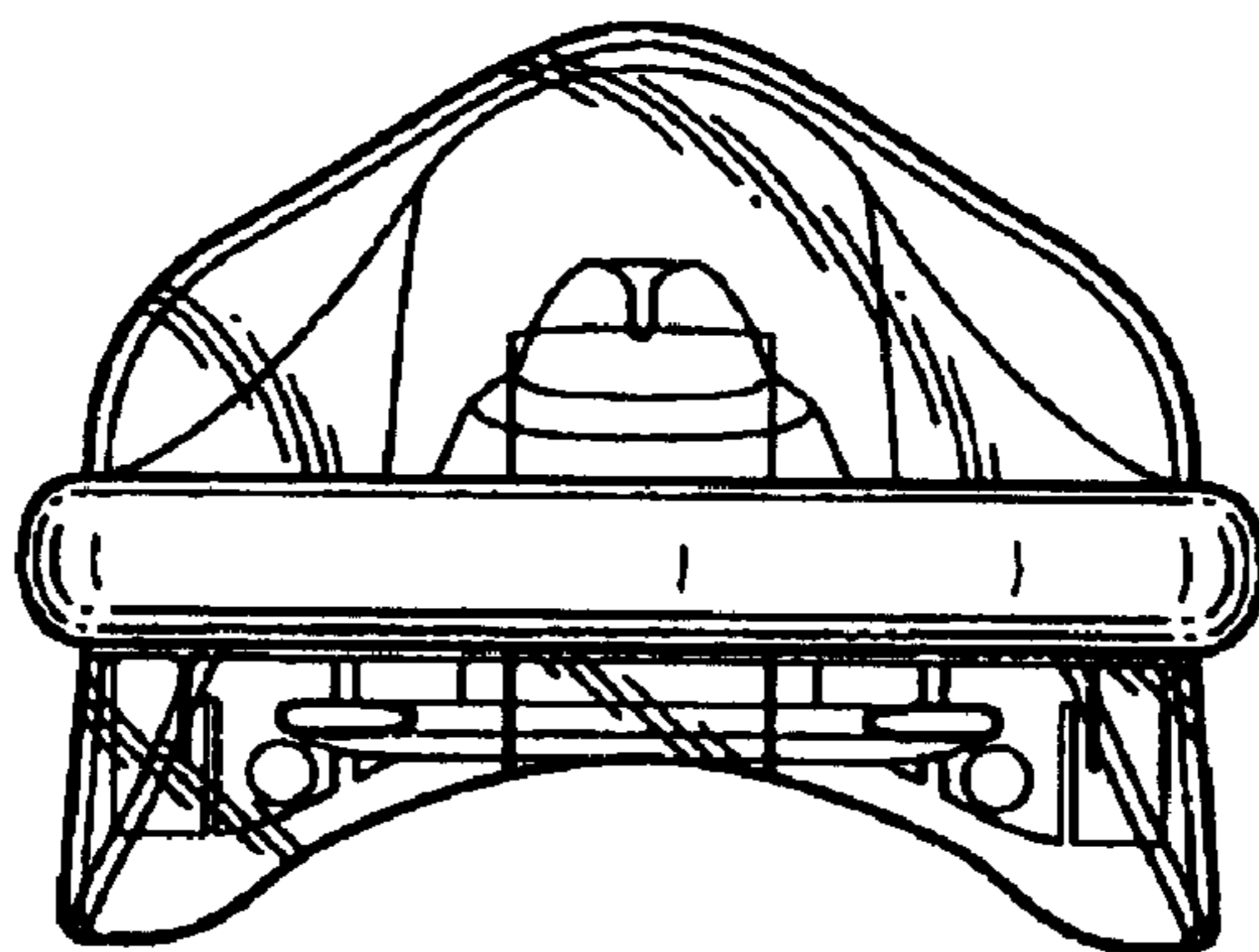
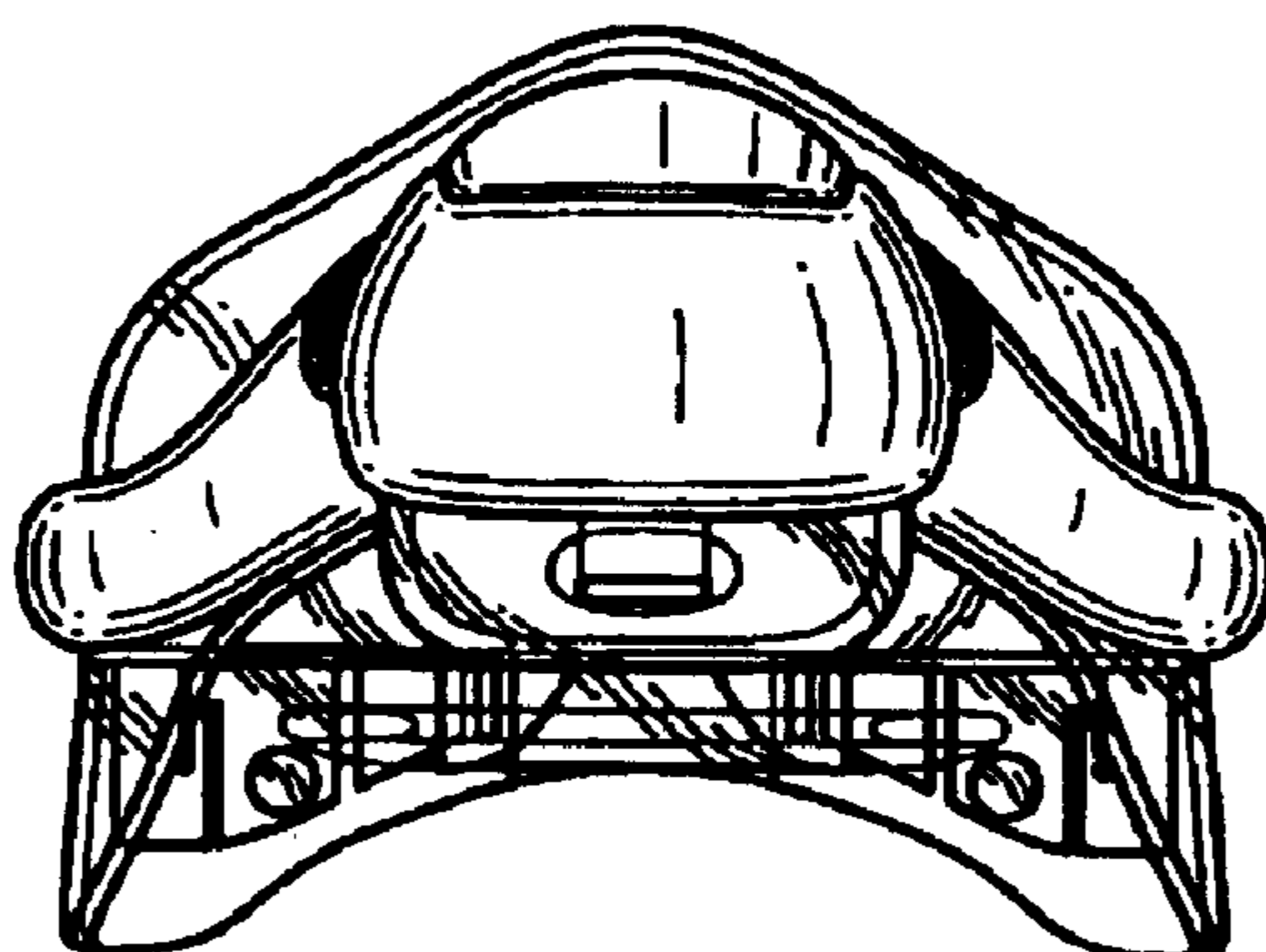


FIG. 6



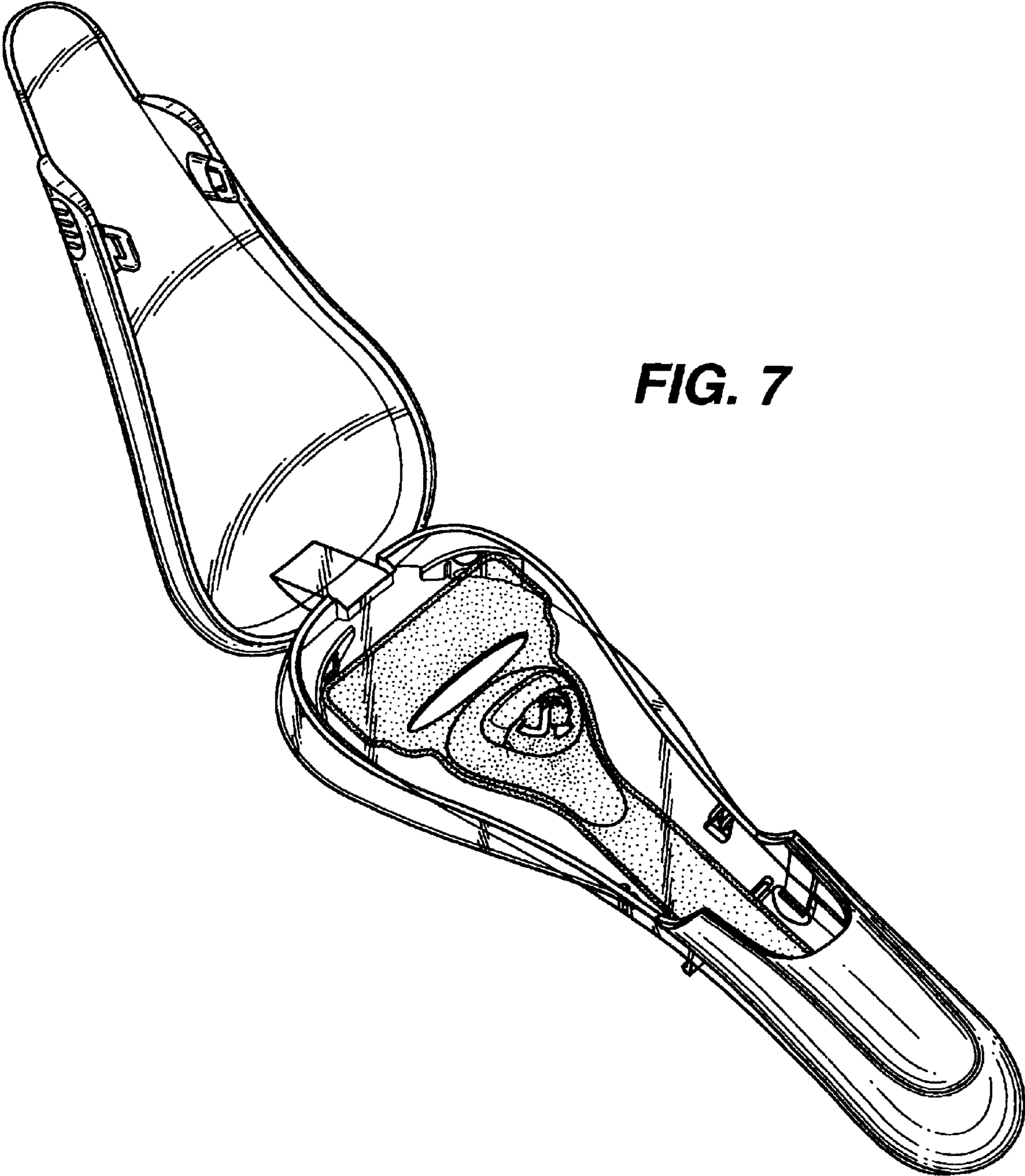
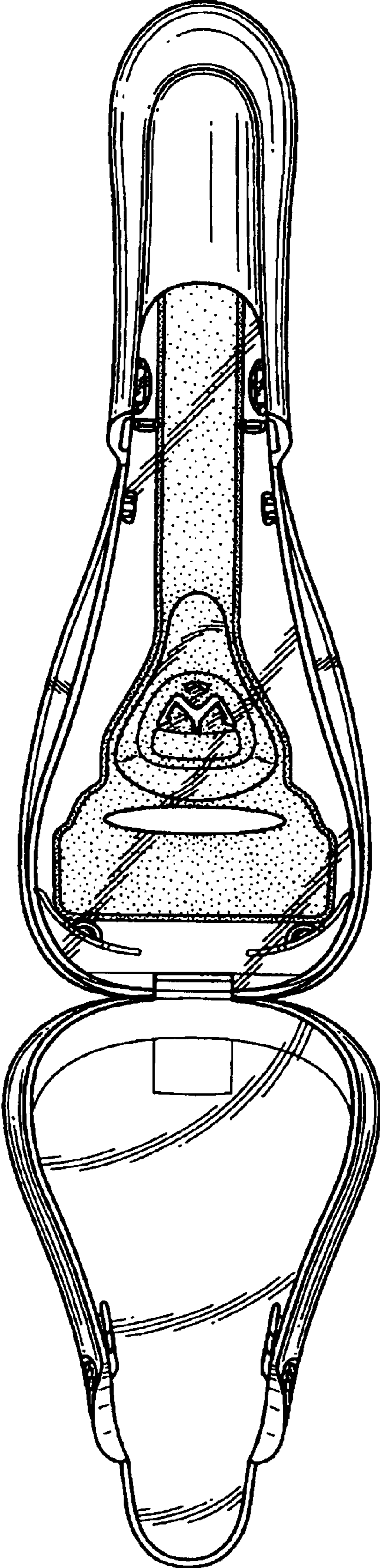


FIG. 7

FIG. 8



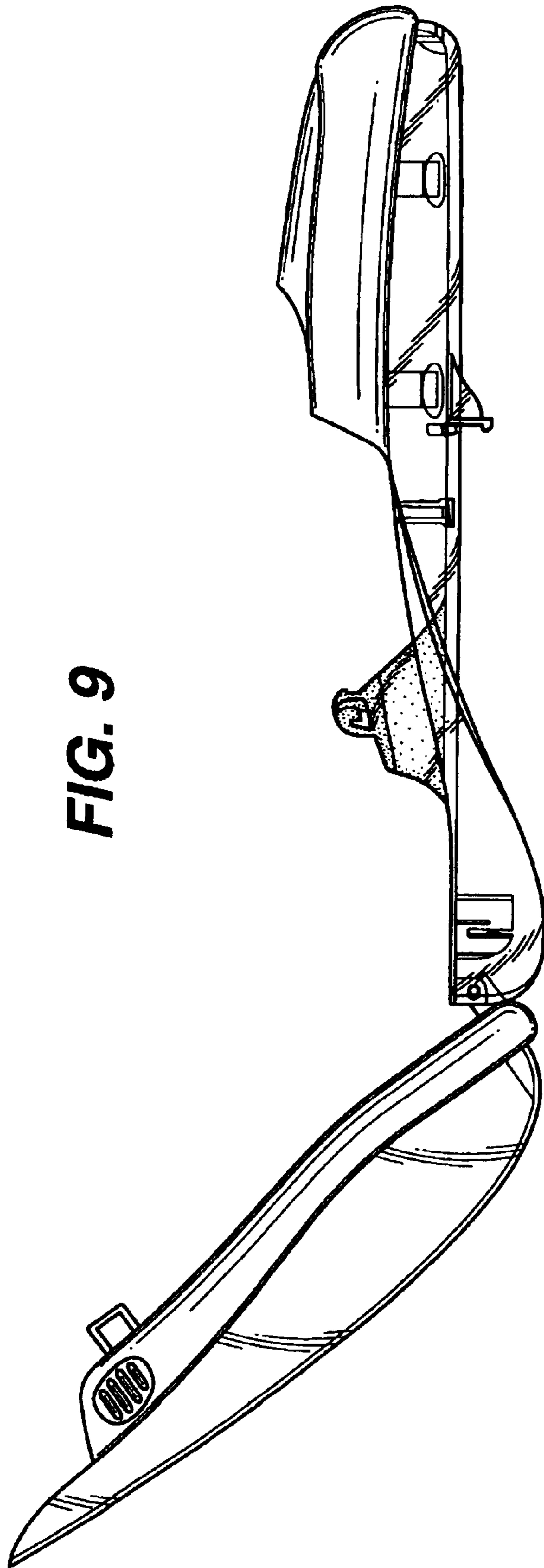


FIG. 9

FIG. 10

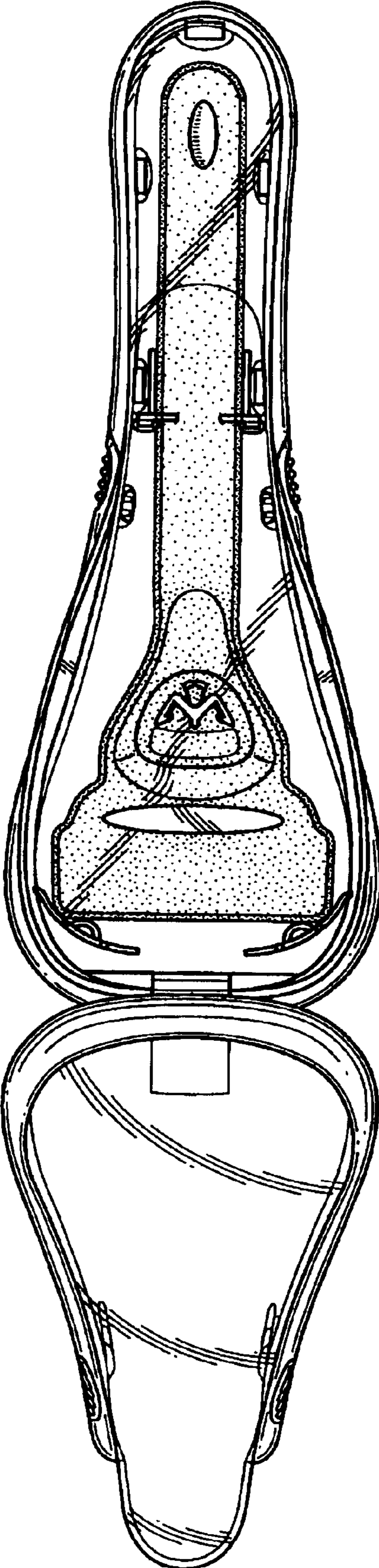


FIG. 11

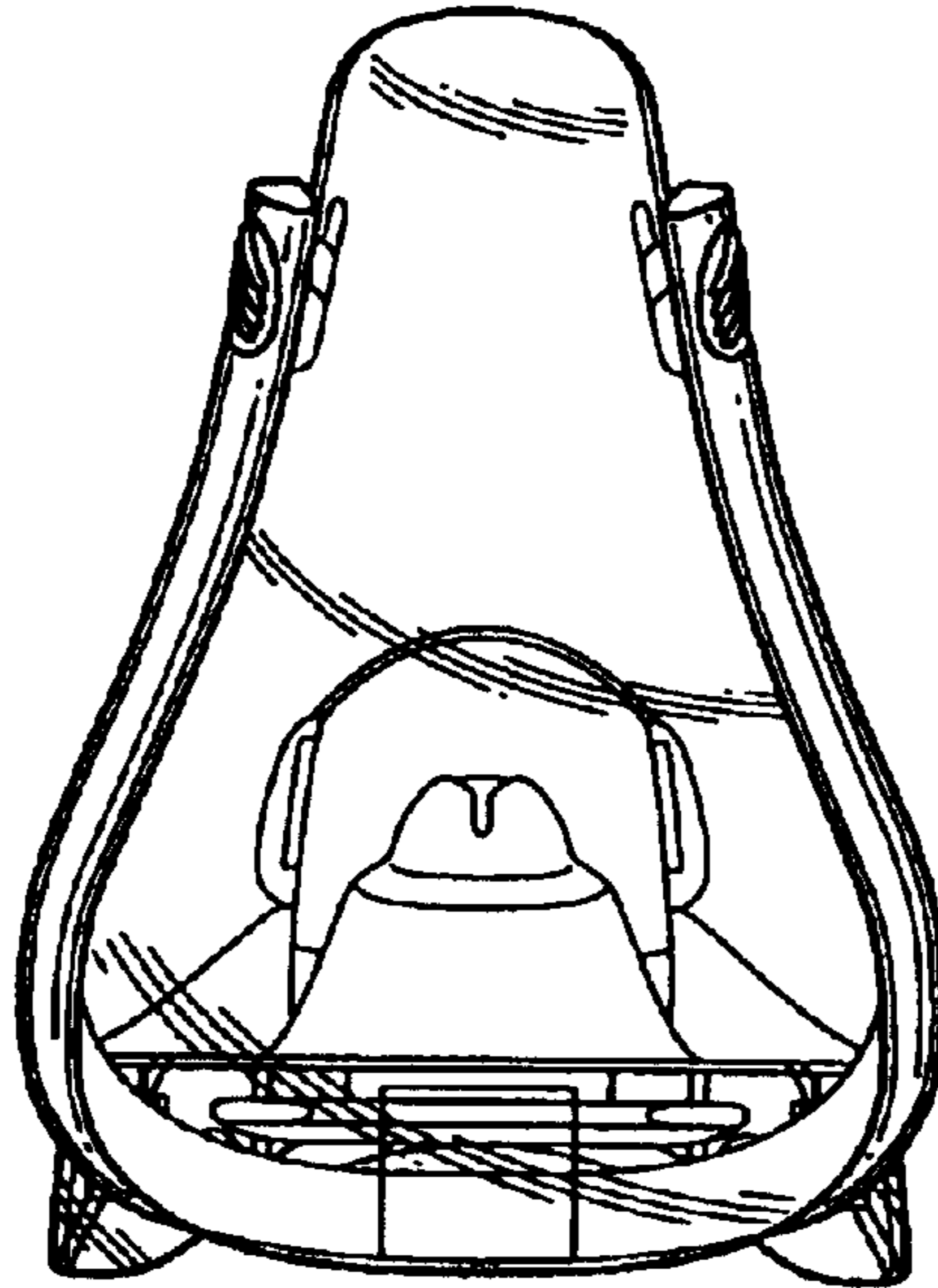


FIG. 12

