

US00D542670S

(12) **United States Design Patent** (10) **Patent No.:** **US D542,670 S**
Herrmann (45) **Date of Patent:** **** May 15, 2007**

(54) **BOTTLE**

D519,844 S * 5/2006 Mansau D9/573

(75) Inventor: **Lutz Wilhelm Herrmann**, Hamburg (DE)

(73) Assignee: **The Procter & Gamble Company**, Cincinnati, OH (US)

(**) Term: **14 Years**

(21) Appl. No.: **29/254,894**

(22) Filed: **Mar. 1, 2006**

(30) **Foreign Application Priority Data**

Sep. 1, 2005 (EM) 000393269

(51) **LOC (8) Cl.** **09-01**

(52) **U.S. Cl.** **D9/560**; D9/544

(58) **Field of Classification Search** D9/439, D9/500, 503, 505, 516, 544-545, 549, 558, D9/562, 571-574, 687-692, 694; 215/355, 215/379, 382; 220/660, 662, 669

See application file for complete search history.

(56) **References Cited**

U.S. PATENT DOCUMENTS

- D76,142 S * 8/1928 Lidell D9/544
- D107,966 S * 1/1938 McIntosh D9/544
- D259,173 S * 5/1981 Lauren D9/560
- D314,334 S * 2/1991 Desgrippes D9/574
- D494,476 S * 8/2004 Cwynar-Laska et al. D9/560
- D499,028 S * 11/2004 Faillant-Dumas D9/544
- D516,917 S * 3/2006 Baron D9/523

OTHER PUBLICATIONS

“Pierre Precieuse”, by Lionceau, Design by H. Saumont in 1927, The Art of Perfume, by C. M. Lefkowitz, Thames and Hudson, Inc., NY, © 1994, bottom middle of p. 138, description on center, right side of p. 139.*

“Chypre”, by A.A. Vantines in the 1930’s, Commercial Fragrance Bottles, by J.D. Ball & D. H. Torem, Schiffler, Pub. Co., PA, © 1993, top right of p. 244.*

* cited by examiner

Primary Examiner—Ian Simmons

Assistant Examiner—Dana Sipos

(74) *Attorney, Agent, or Firm*—Kenya T. Pierre; Andrew J. Hagerty; Tara M. Rosnell

(57) **CLAIM**

The ornamental design for a bottle, as shown and described.

DESCRIPTION

FIG. 1 is a perspective view of a bottle showing my new design;

FIG. 2 is a front elevational view of the bottle of FIG. 1;

FIG. 3 is a rear elevational view of the bottle of FIG. 1;

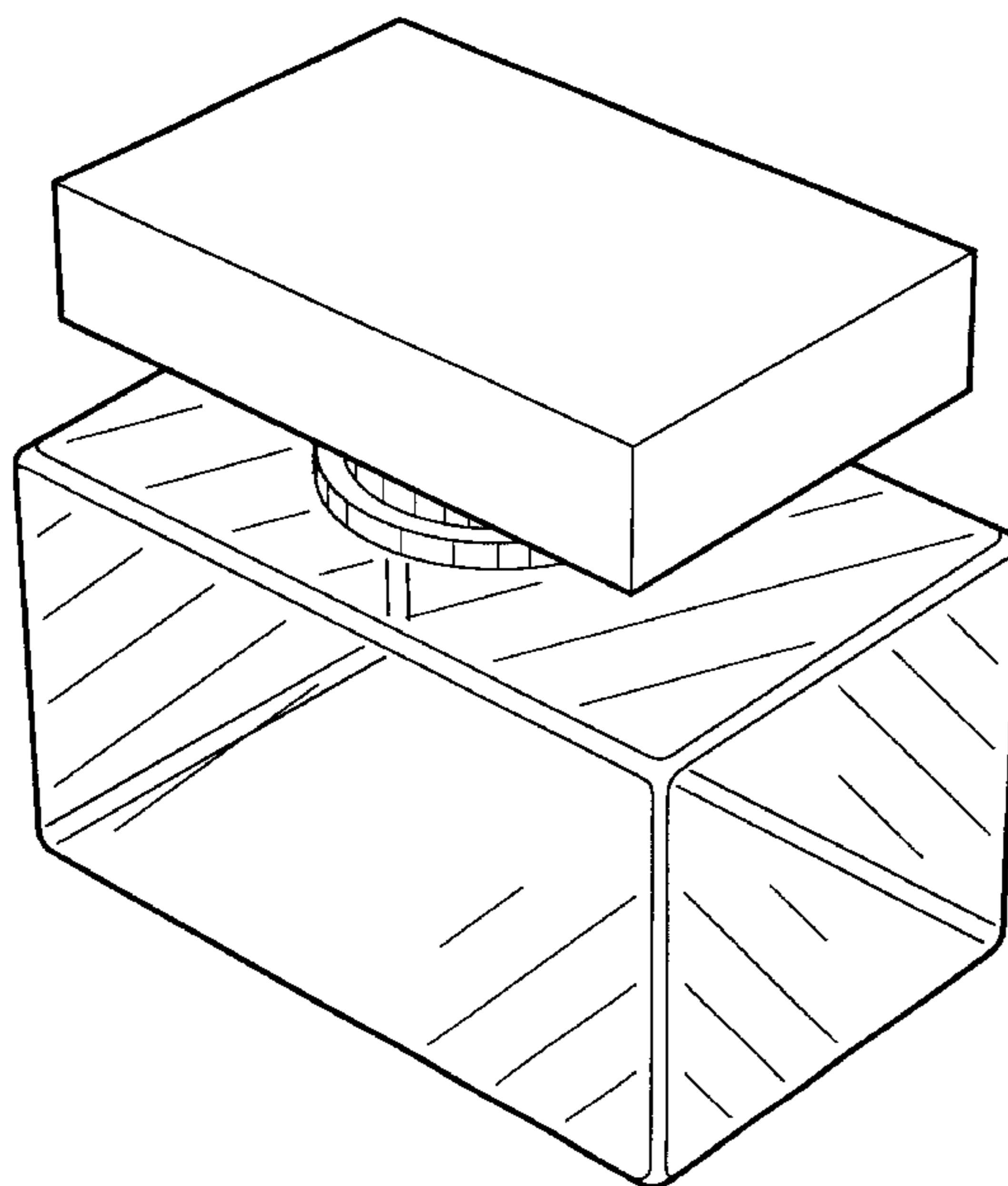
FIG. 4 is a left side elevational view of the bottle of FIG. 1;

FIG. 5 is a right side elevational view of the bottle of FIG. 1;

FIG. 6 is a top plan view of the bottle of FIG. 1; and,

FIG. 7 is a bottom plan view of the bottle of FIG. 1.

1 Claim, 5 Drawing Sheets



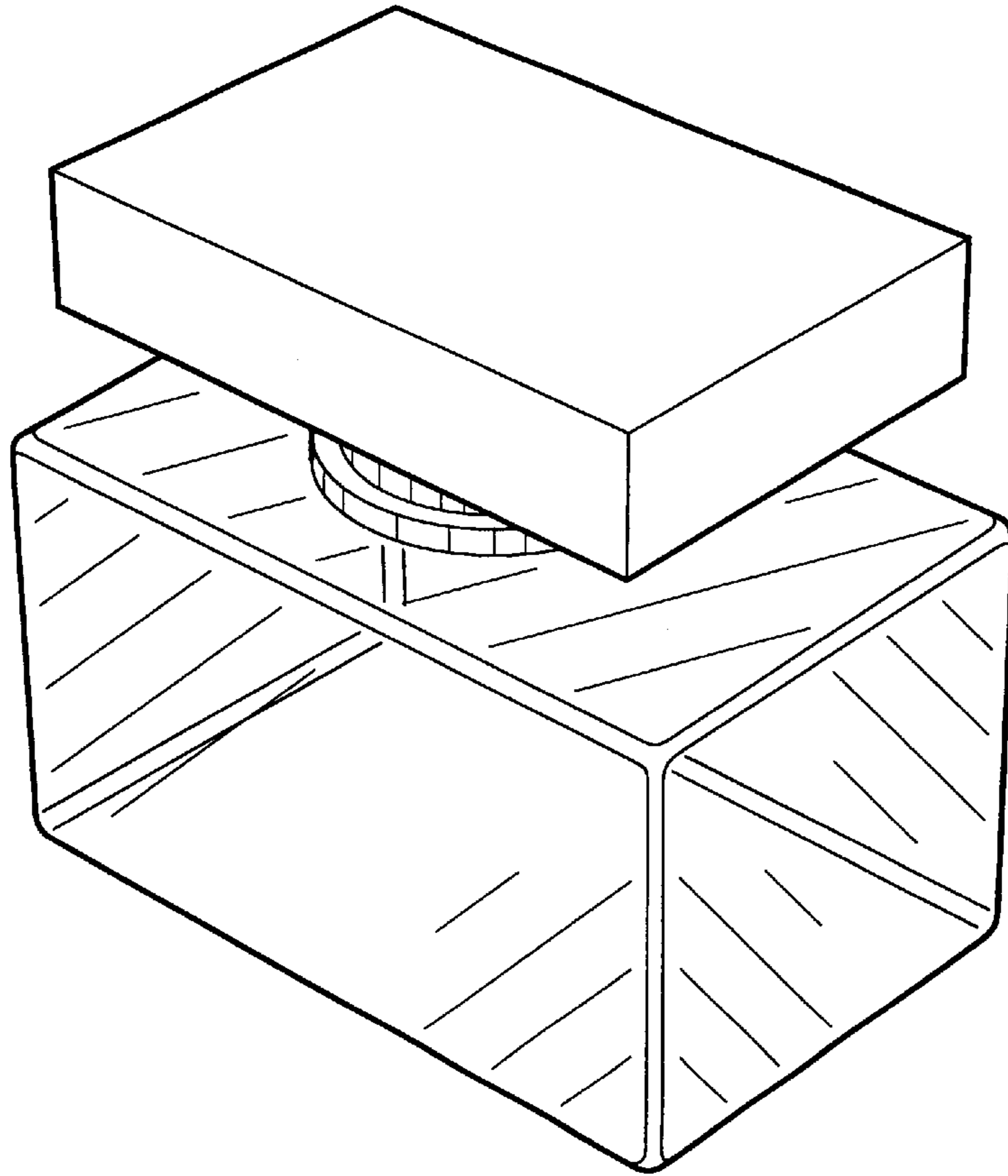


FIG. 1

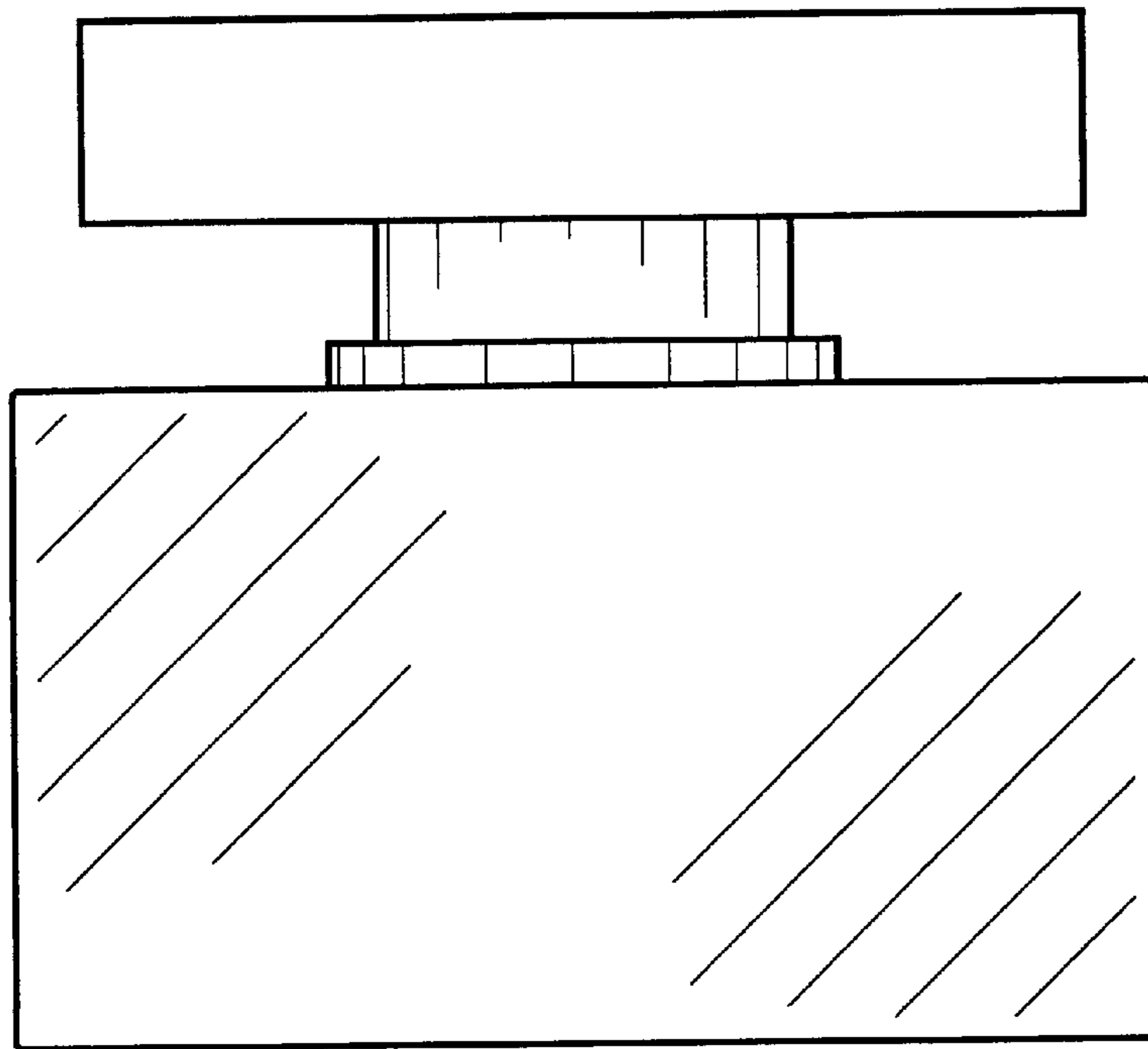


FIG. 2

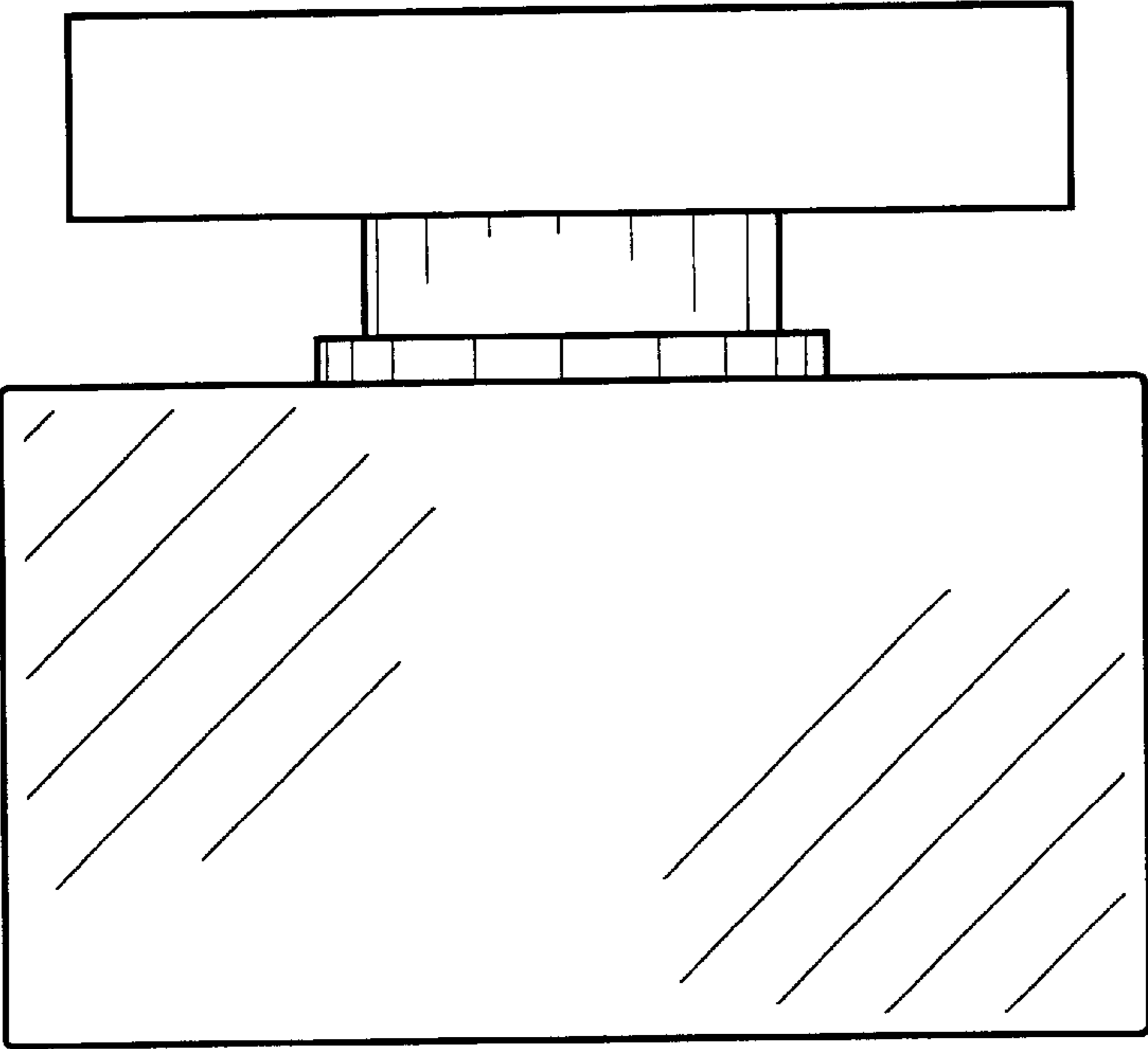


FIG. 3

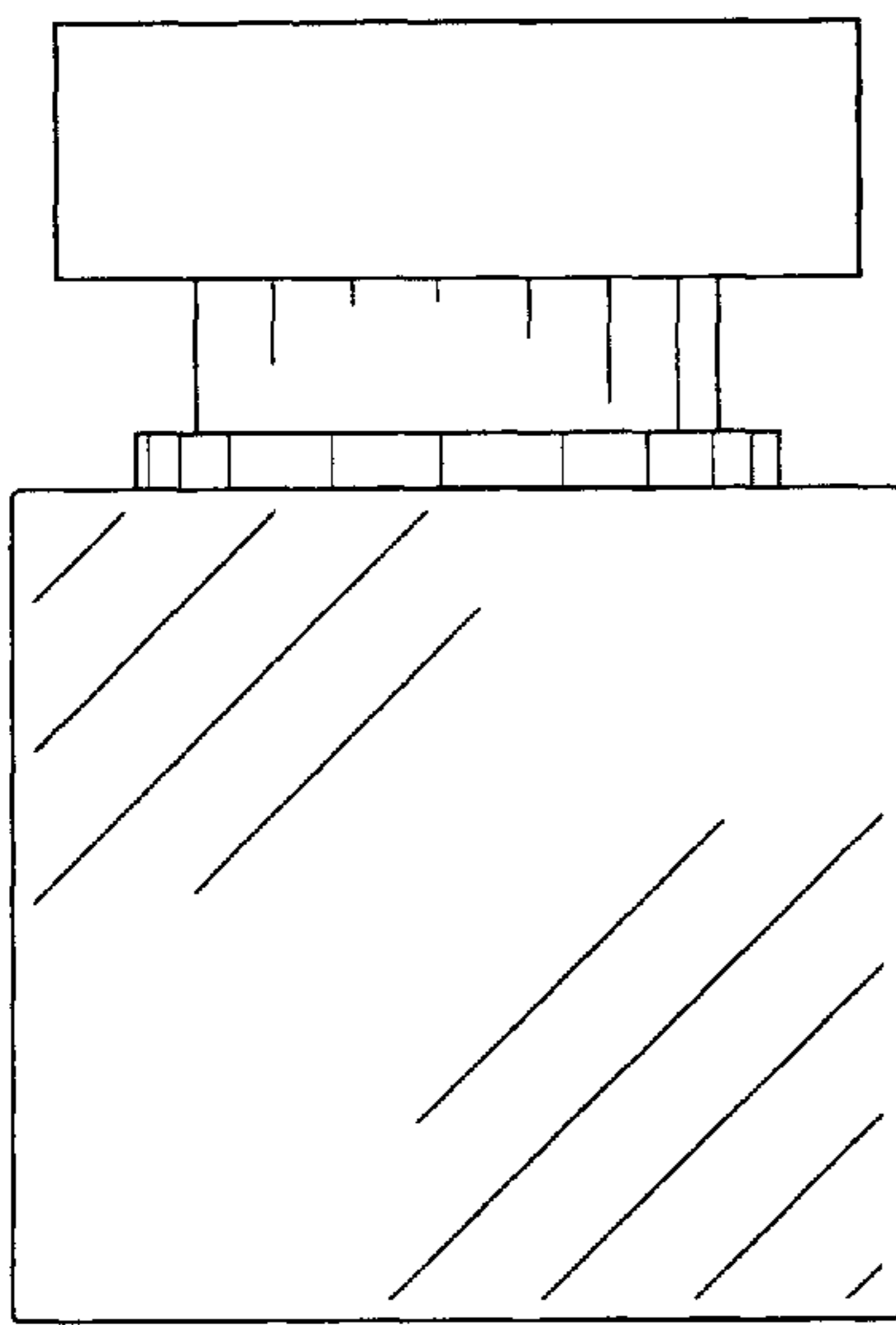


FIG. 4

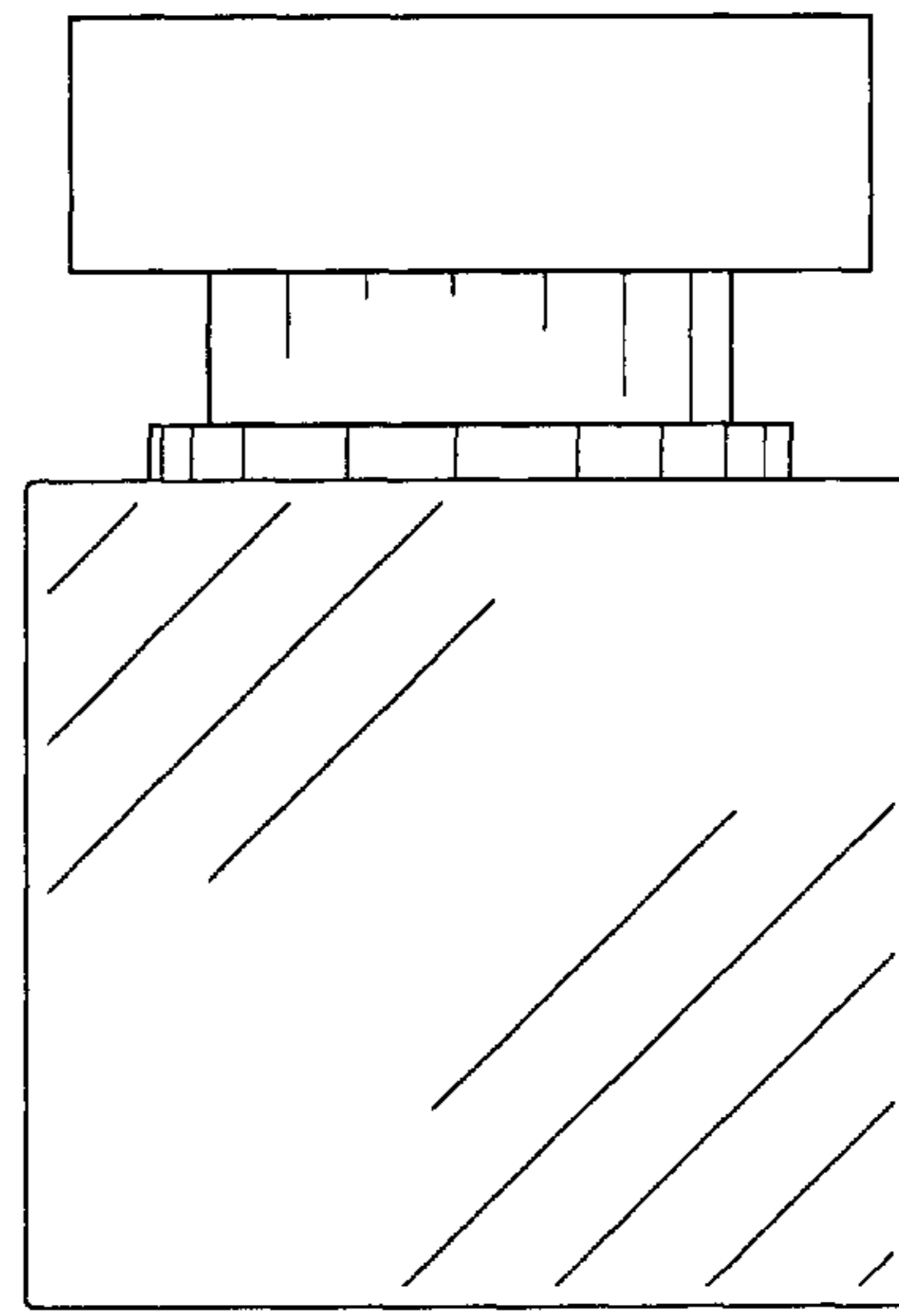


FIG. 5

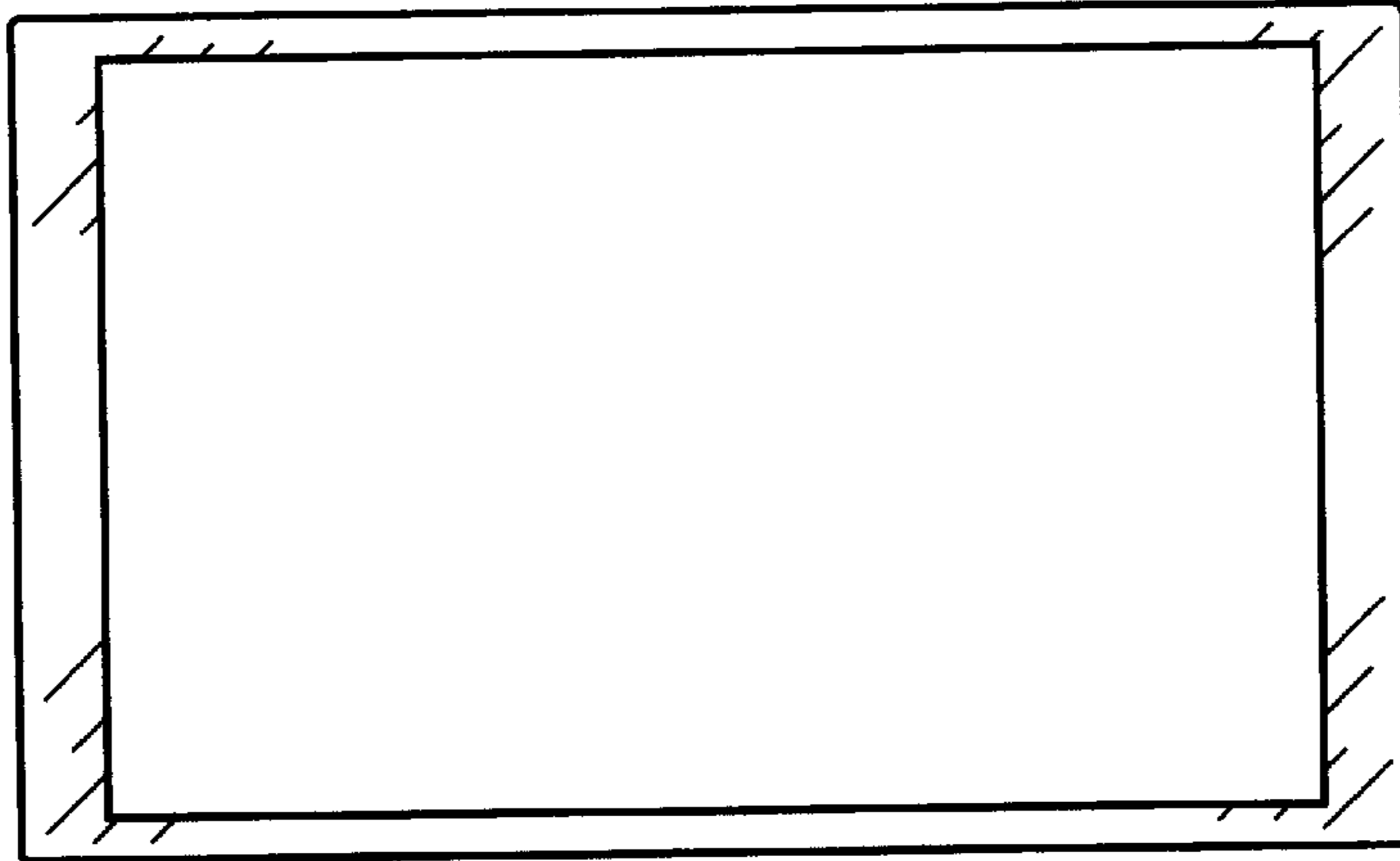


FIG. 6

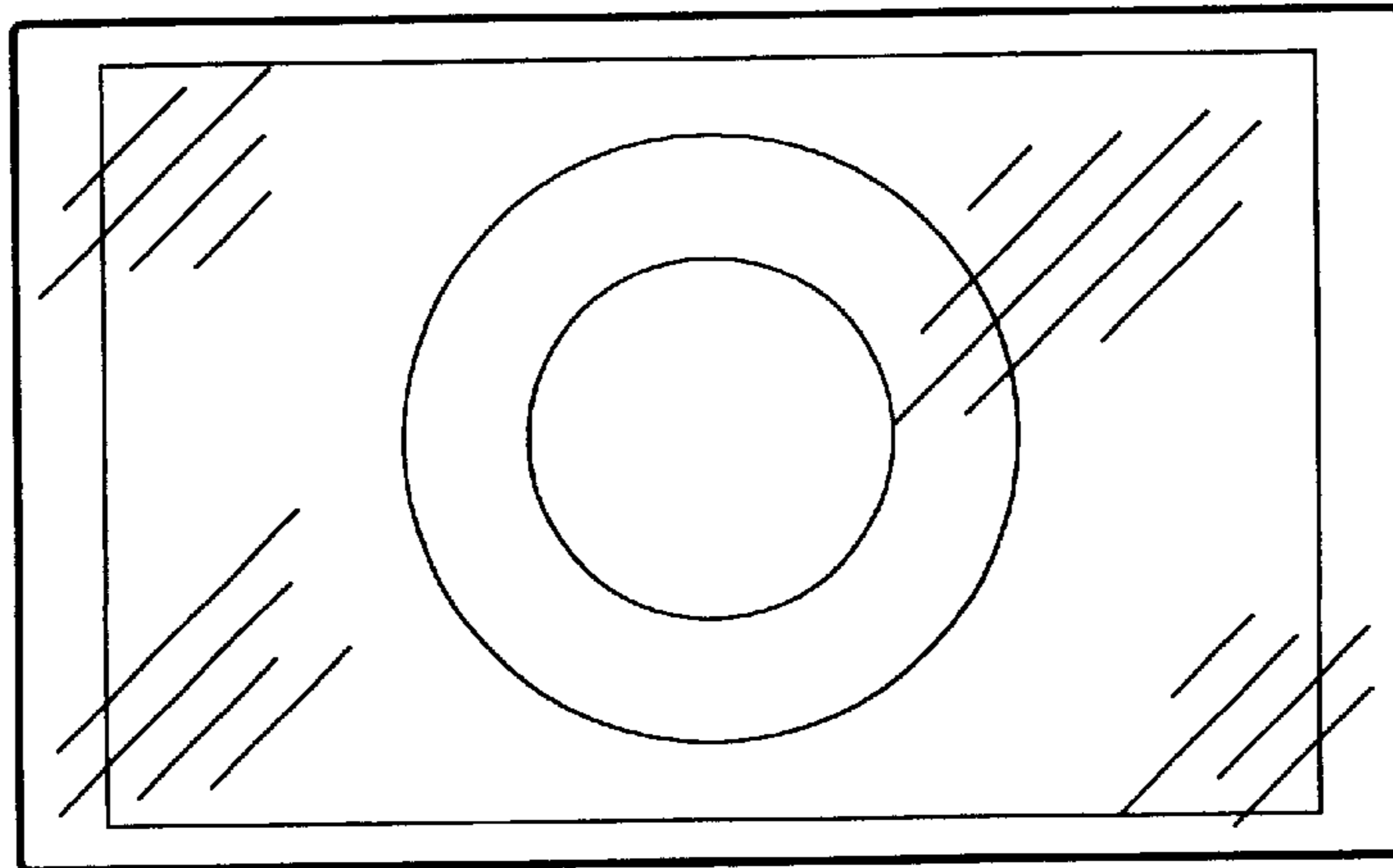


FIG. 7