

US00D542666S

(12) **United States Design Patent**  
**Trude**

(10) **Patent No.:** **US D542,666 S**

(45) **Date of Patent:** **\*\* May 15, 2007**

(54) **CONTAINER**

(75) **Inventor:** **Gregory Trude**, Seven Valleys, PA  
(US)

(73) **Assignee:** **Graham Packaging Company, L.P.**,  
York, PA (US)

(\*\*) **Term:** **14 Years**

(21) **Appl. No.:** **29/205,112**

(22) **Filed:** **May 11, 2004**

(51) **LOC (8) Cl.** ..... **09-01**

(52) **U.S. Cl.** ..... **D9/551; D9/556; D9/557**

(58) **Field of Classification Search** ..... **D9/500,**  
**D9/503, 505, 549, 551-552, 556-558, 565,**  
**D9/560, 537-543, 571-574, 545, 557; 215/381-384**  
See application file for complete search history.

(56) **References Cited**

**U.S. PATENT DOCUMENTS**

D331,017 S	*	11/1992	Chan	.....	D9/560
5,199,588 A	*	4/1993	Hayashi	.....	215/381
5,222,615 A		6/1993	Ota et al.		
5,472,105 A		12/1995	Krishnakumar et al.		
D395,396 S	*	6/1998	Kuzma et al.	.....	D9/542
5,762,221 A		6/1998	Tobias et al.		
D399,429 S	*	10/1998	Ramsey	.....	D9/539
D405,698 S	*	2/1999	Lykken et al.	.....	D9/541
D410,197 S	*	5/1999	Herrin et al.	.....	D9/502

D472,815 S	*	4/2003	Zhang et al.	.....	D9/538
D486,739 S	*	2/2004	Taylor et al.	.....	D9/530
6,739,467 B2	*	5/2004	Saito et al.	.....	215/384
D492,201 S	*	6/2004	Pritchett et al.	.....	D9/537
6,838,138 B1	*	1/2005	Akiyama et al.	.....	428/35.7
D504,617 S	*	5/2005	Pedmo et al.	.....	D9/541
7,014,056 B2	*	3/2006	Trude	.....	215/381

\* cited by examiner

*Primary Examiner*—Carol Rademaker

*Assistant Examiner*—Anna J. Burmeister

(74) *Attorney, Agent, or Firm*—Venable LLP; James R. Burdett; Keith G. Haddaway

(57) **CLAIM**

The ornamental design for a container, as shown and described.

**DESCRIPTION**

FIG. 1 is a perspective view of a container according to the present invention;

FIG. 2 is a left side elevational view thereof, the right side elevational view being identical;

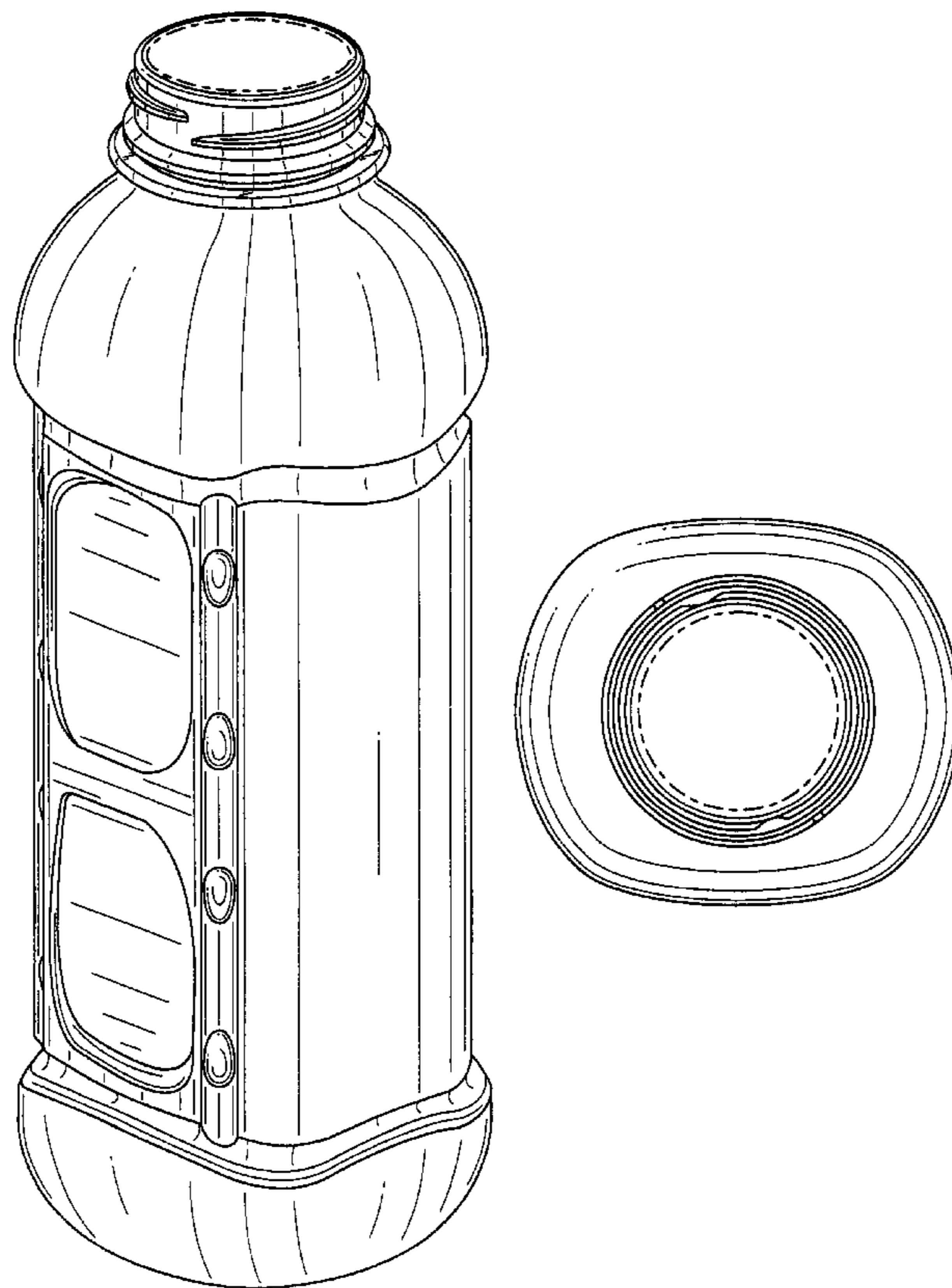
FIG. 3 is a front elevational view thereof, the back elevational view being identical;

FIG. 4 is a top plan view thereof; and,

FIG. 5 is a bottom plan view thereof.

The broken lines shown in the drawings are for illustrative purposes only and form no part of the claimed design.

**1 Claim, 4 Drawing Sheets**



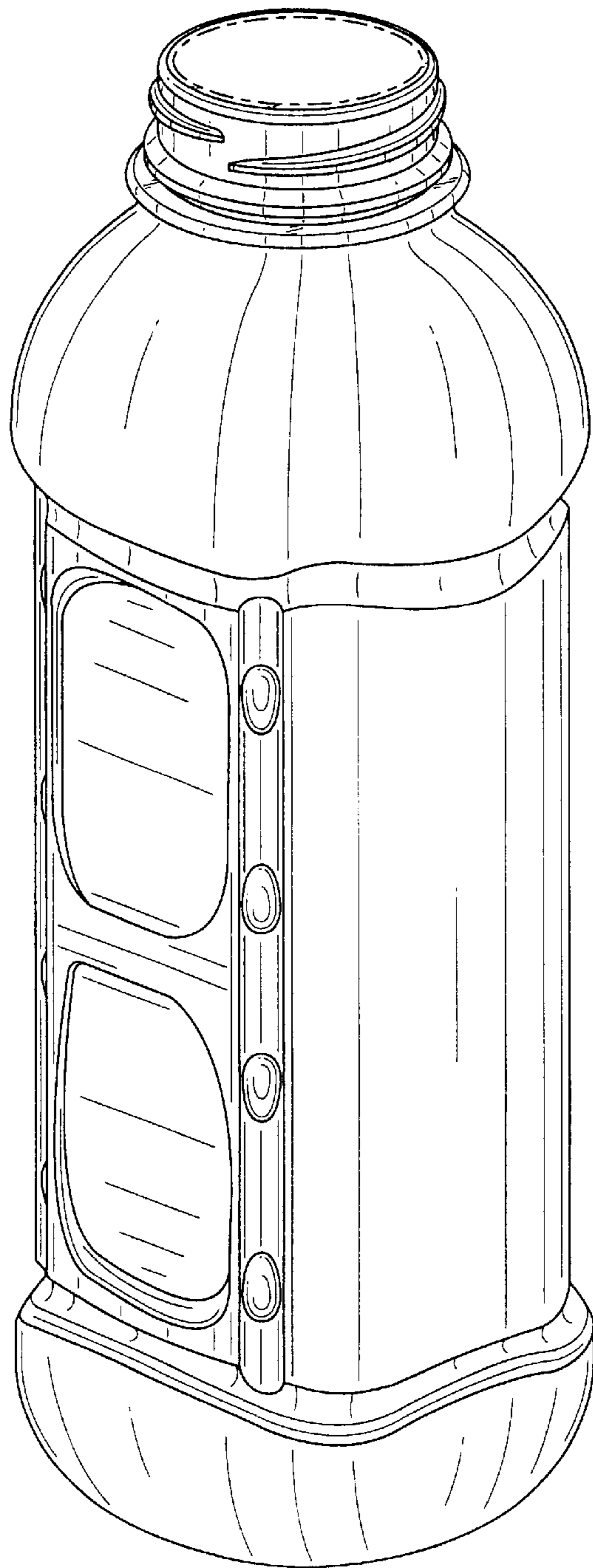


FIG. 1

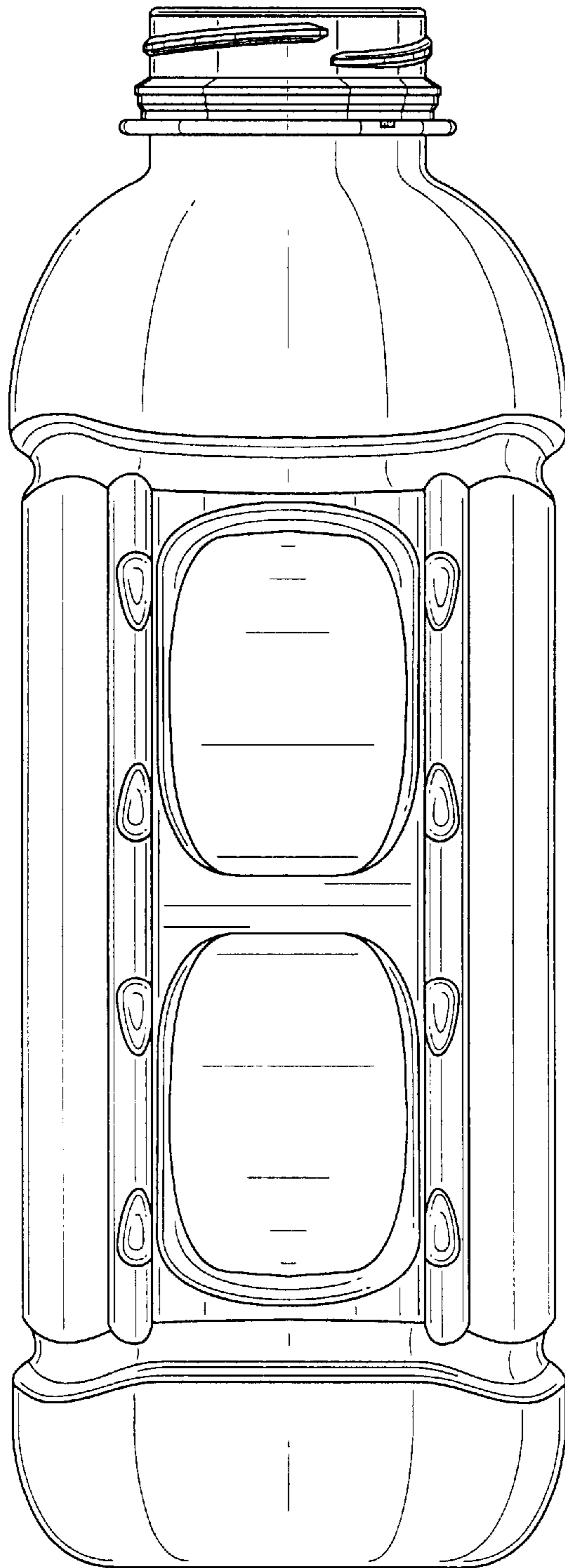


FIG. 2

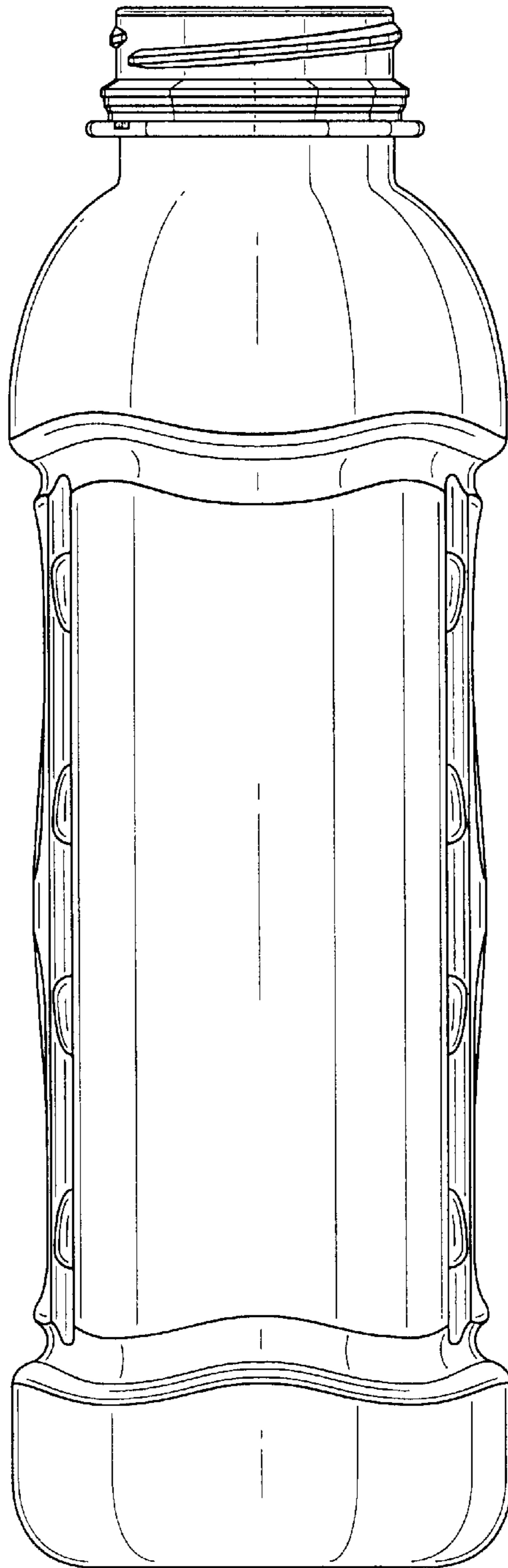


FIG. 3

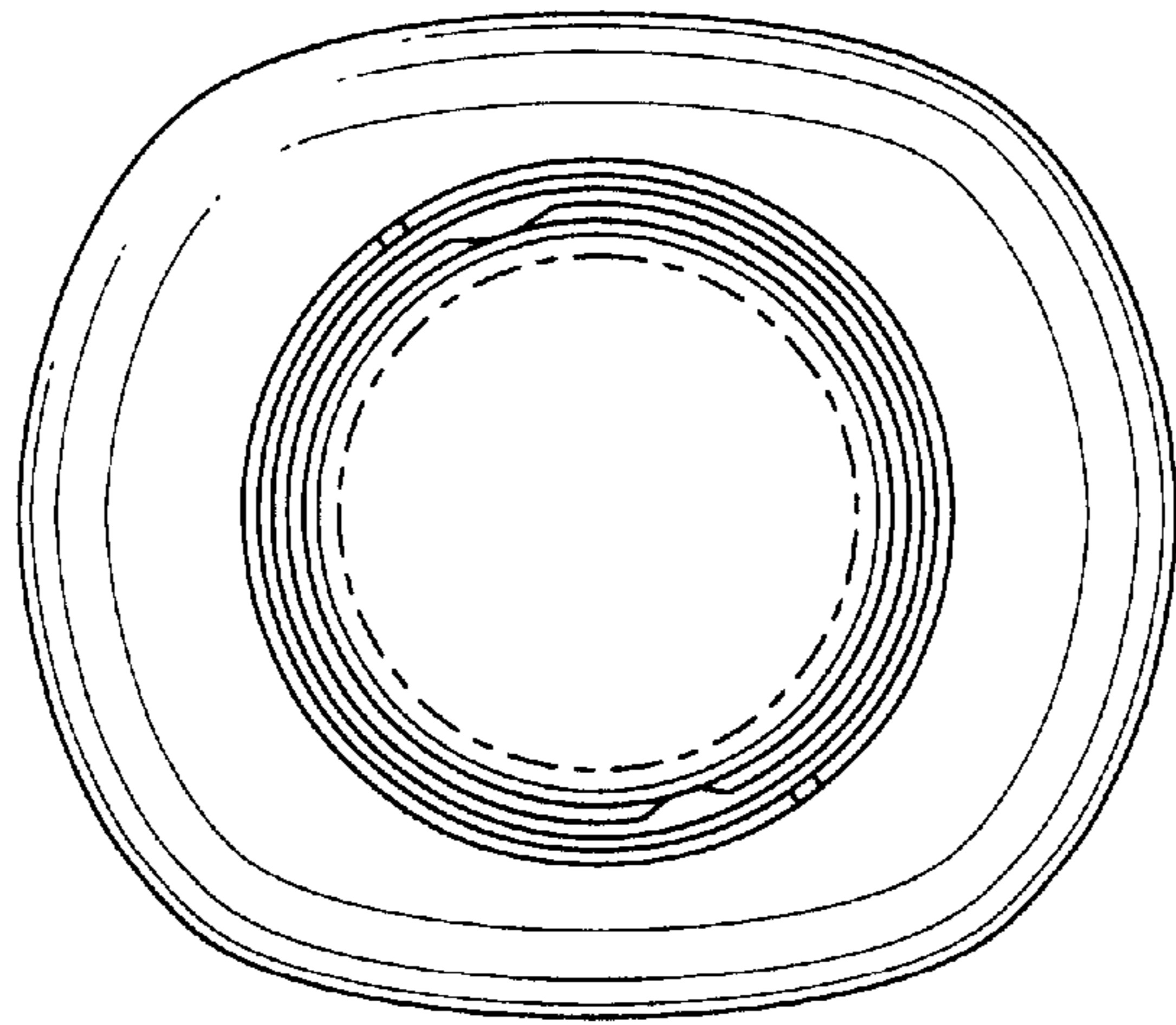


FIG. 4

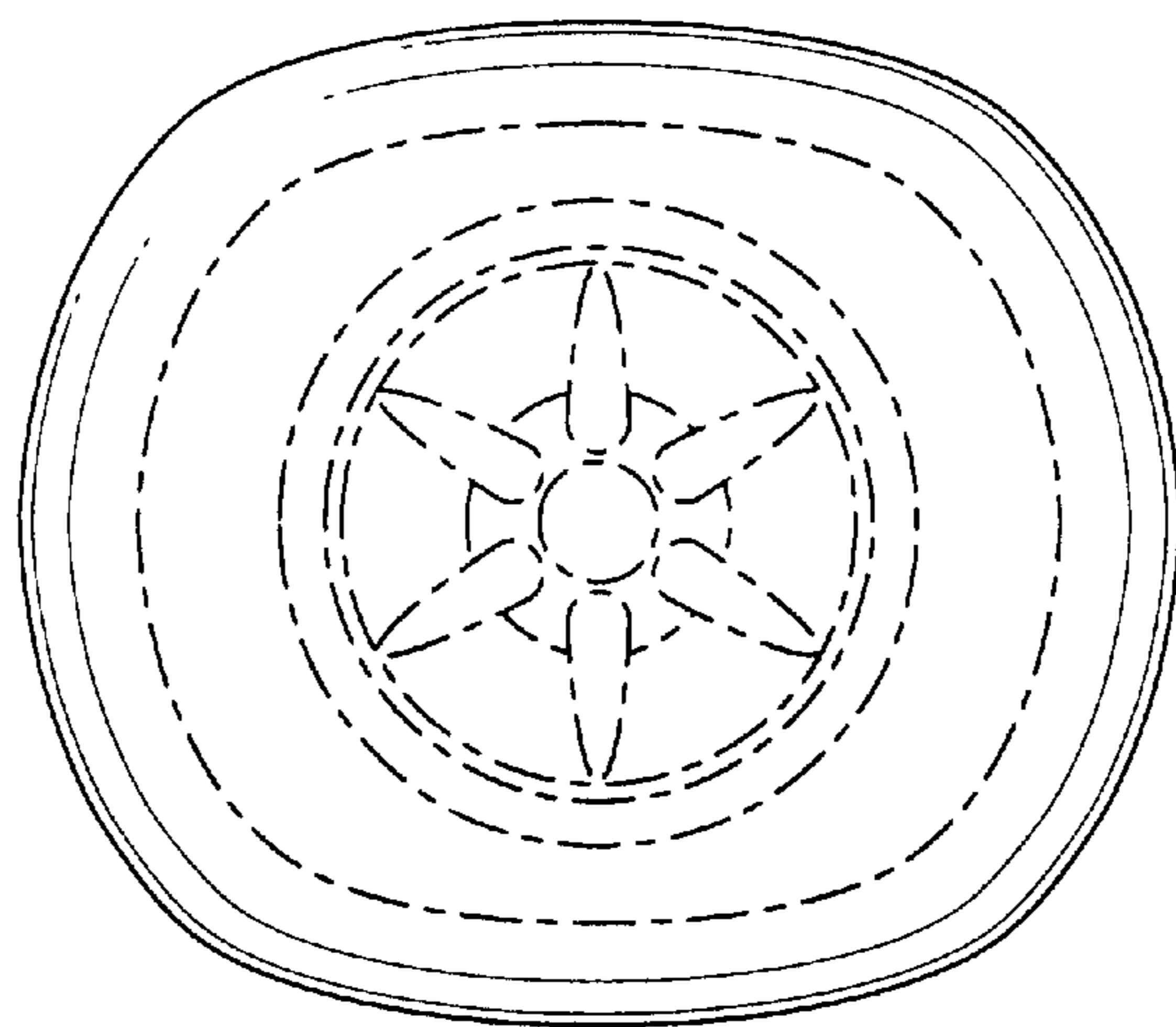


FIG. 5