



US00D542662S

(12) **United States Design Patent**
Caserta et al.

(10) **Patent No.:** **US D542,662 S**

(45) **Date of Patent:** **** May 15, 2007**

(54) **CONTAINER**

(75) Inventors: **Andrea Caserta**, Verona (IT); **Ruber Garcia Fabrega**, Barcelona (ES); **Javier Alvarez Leal**, Barcelona (ES)

(73) Assignee: **Zobebe Espana S.A.** (ES)

(**) Term: **14 Years**

(21) Appl. No.: **29/244,017**

(22) Filed: **Dec. 2, 2005**

(51) **LOC (8) Cl.** **09-01**

(52) **U.S. Cl.** **D9/522; D9/566; D9/453**

(58) **Field of Classification Search** D9/682,
D9/686-689, 693-694, 723-725, 727-729,
D9/763-764, 770, 521-523, 526-530, 537-545,
D9/547-549, 551-553, 556, 558, 561, 563-566,
D9/569, 571-575, 452-454; 215/382-384,
215/396, 398; 220/660, 669, 675; 222/210,
222/212-213; D23/356-359

See application file for complete search history.

(56) **References Cited**

U.S. PATENT DOCUMENTS

D118,381 S * 1/1940 McIntosh D9/562
D228,123 S * 8/1973 Besier D9/538
D309,098 S * 7/1990 Moret D9/521
D322,315 S * 12/1991 Ushikubo D24/117
5,647,053 A * 7/1997 Schroeder et al. 392/390
D453,110 S * 1/2002 Bulsink D9/522
D475,774 S * 6/2003 Millan D23/366
D476,727 S * 7/2003 Basaganas Millan D23/366

D477,066 S * 7/2003 Lonczak et al. D9/658
D479,804 S * 9/2003 Wolpert et al. D9/574
D480,316 S * 10/2003 Wolpert et al. D9/574
6,766,773 B2 * 7/2004 Wolpert et al. 122/366
D497,554 S * 10/2004 Le Bourg D9/566
D498,146 S * 11/2004 Densky et al. D9/571
D503,621 S * 4/2005 Heater D9/522
D505,330 S * 5/2005 Wolpert D9/522
D518,730 S * 4/2006 Caserta et al. D9/522
D523,347 S * 6/2006 Livingston D9/553

* cited by examiner

Primary Examiner—Carol Rademaker

(74) *Attorney, Agent, or Firm*—Ostrolenk, Faber, Gerb & Soffen, LLP

(57) **CLAIM**

The ornamental design for a container, as shown and described.

DESCRIPTION

FIG. 1 is a front perspective view of a container showing the new design;

FIG. 2 is a rear view thereof;

FIG. 3 is a top view thereof;

FIG. 4 is a left side view thereof;

FIG. 5 is a front view thereof;

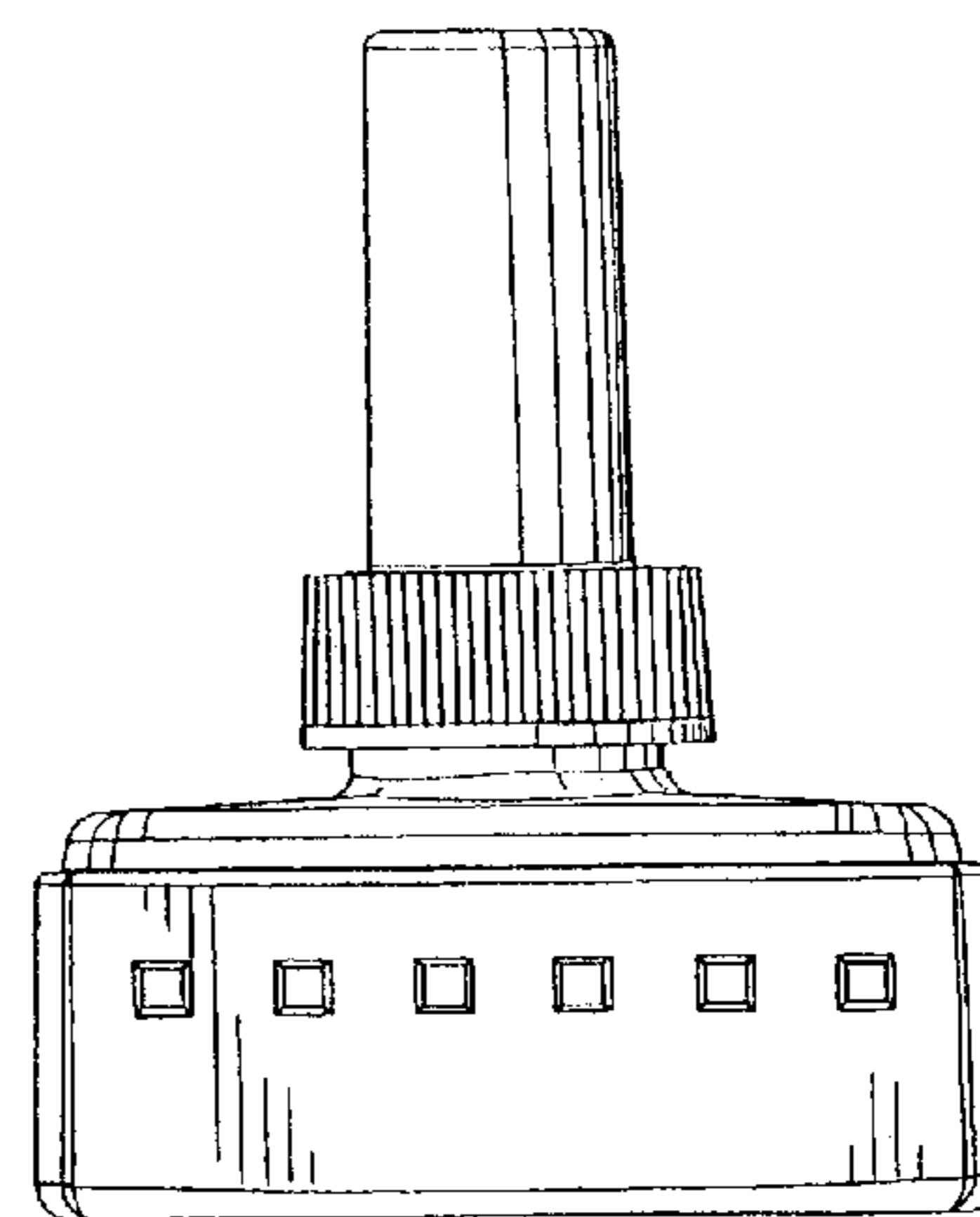
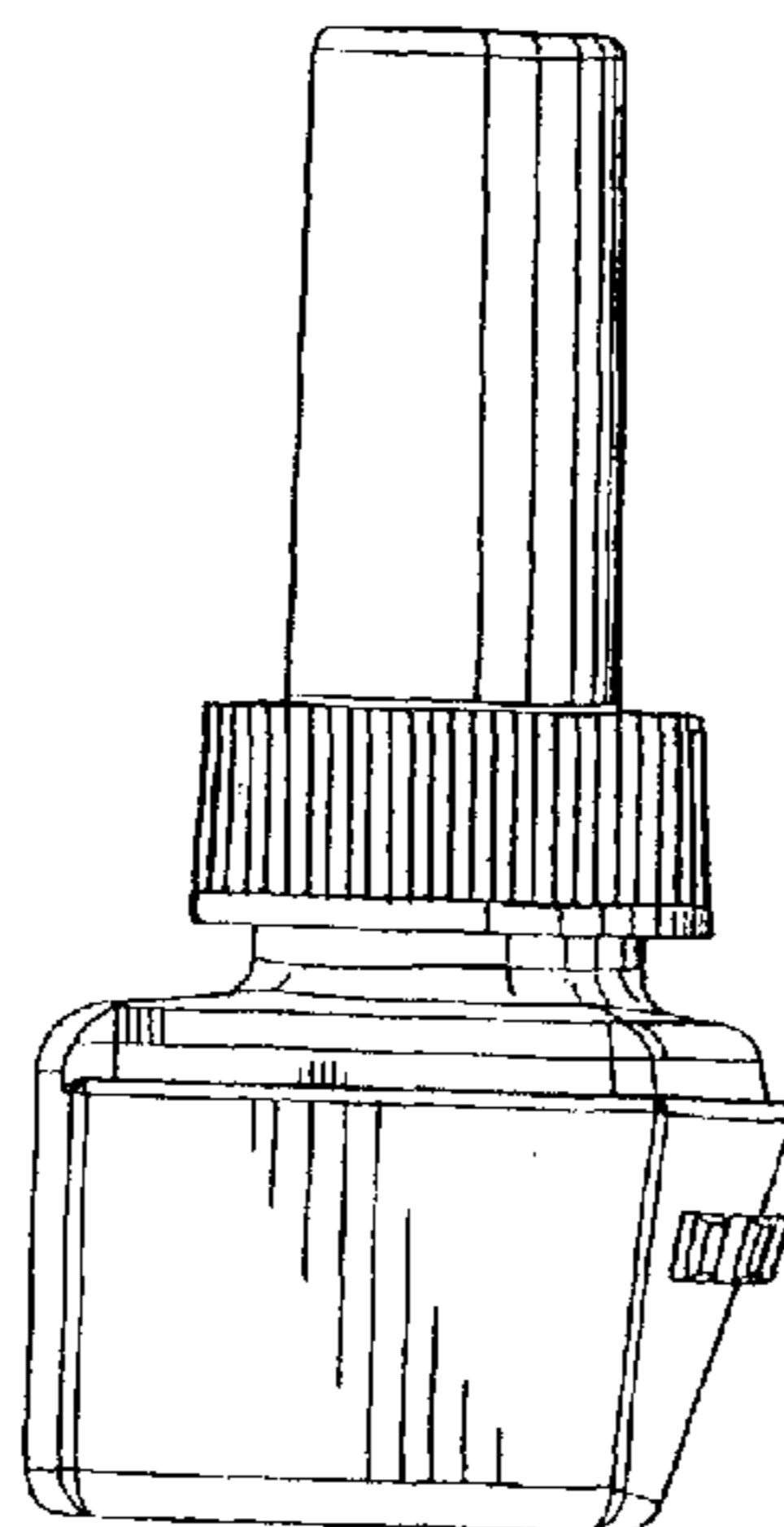
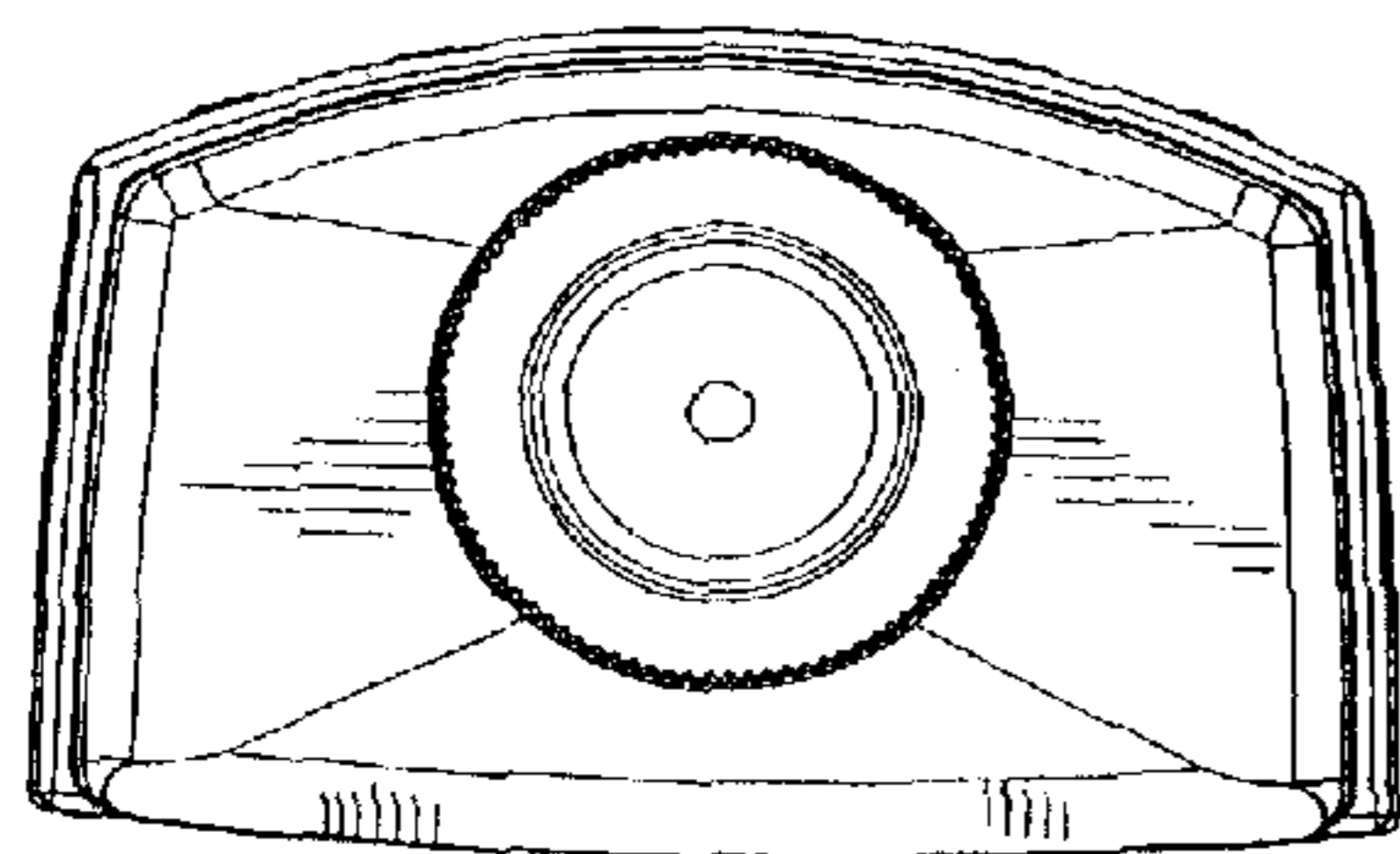
FIG. 6 is a right side view thereof;

FIG. 7 is a bottom view thereof; and,

FIG. 8 is a rear perspective view thereof.

The broken lines shown in the drawings are for illustrative purposes only and form no part of the claimed design.

1 Claim, 8 Drawing Sheets



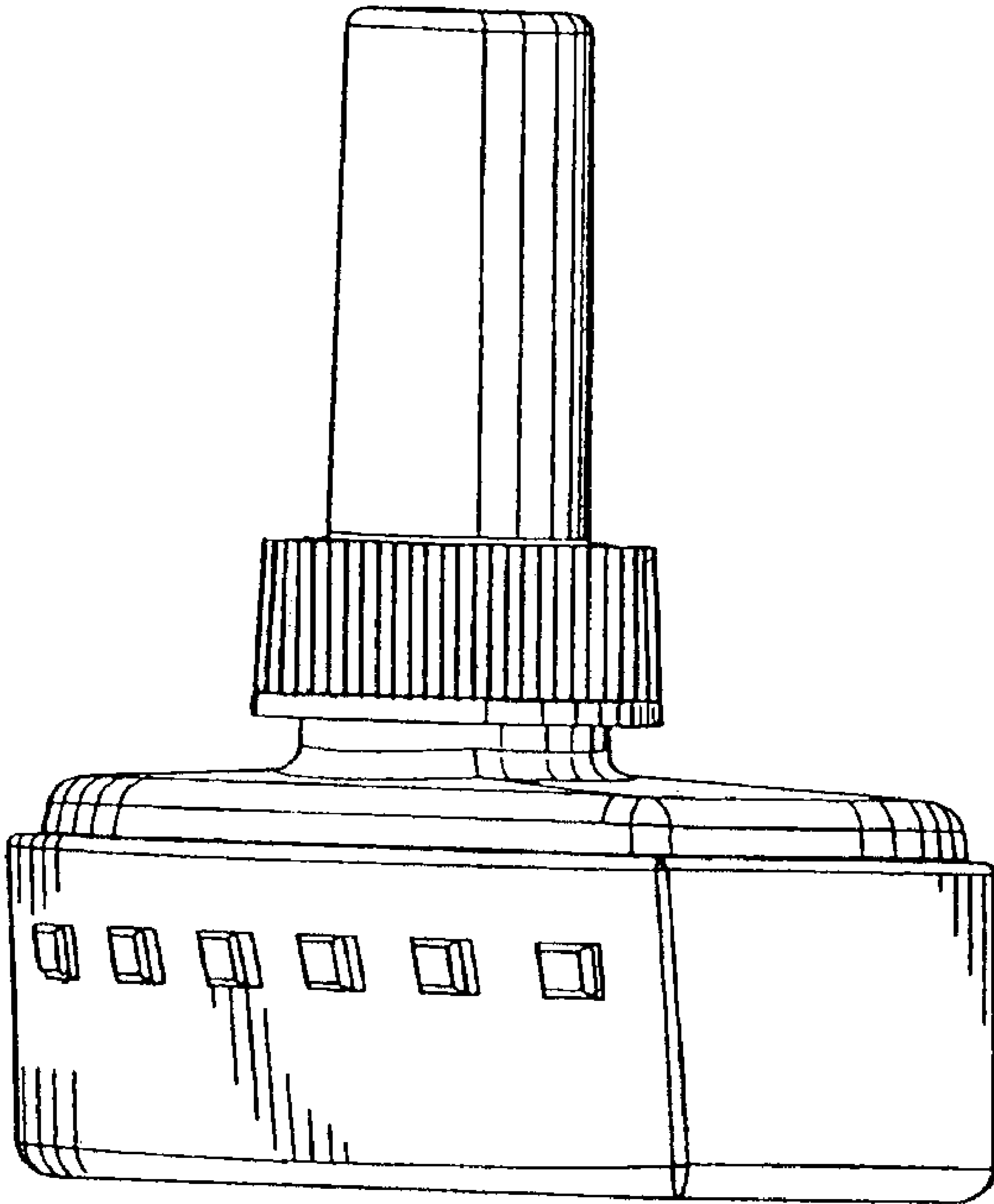


FIG. 1

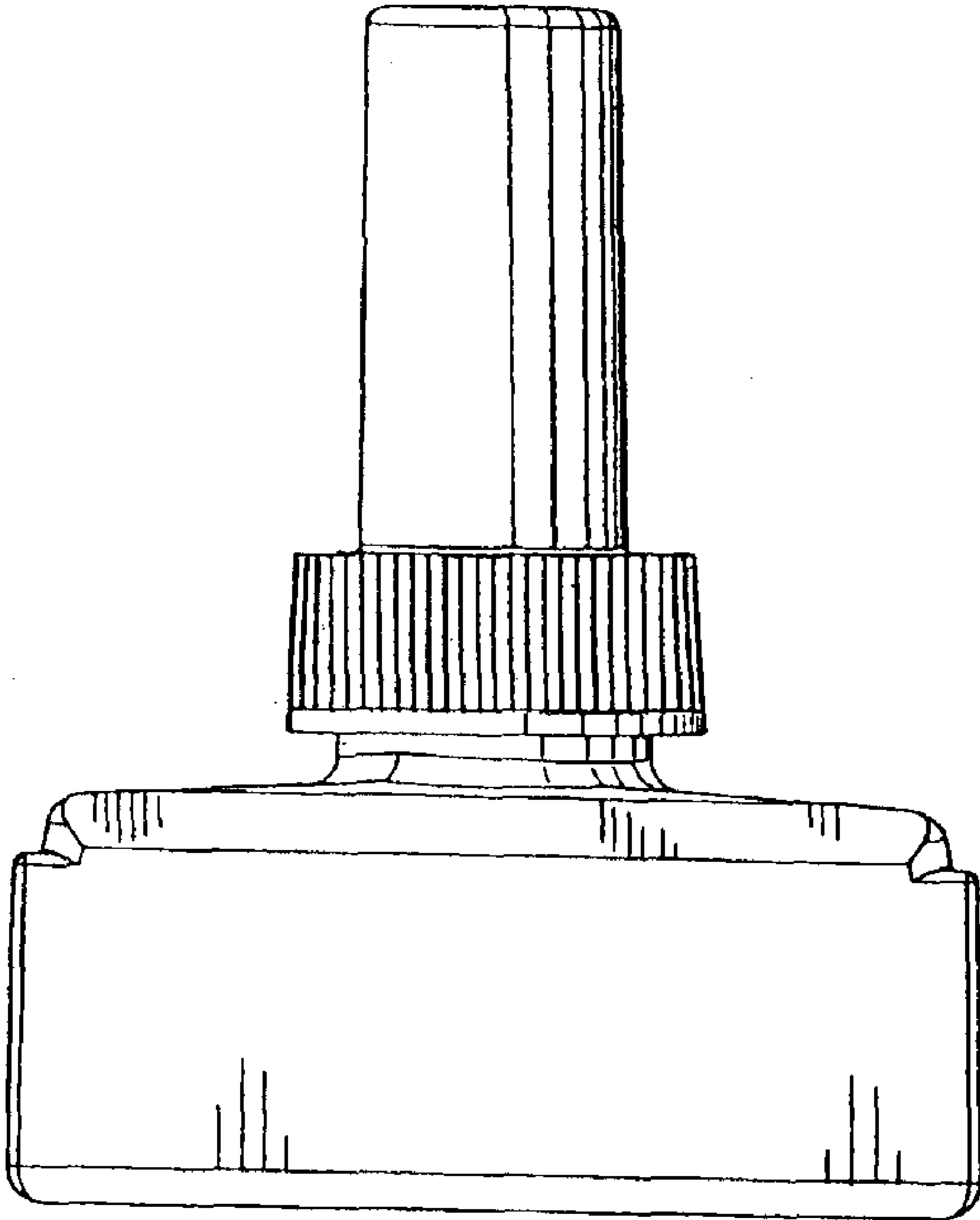


FIG. 2

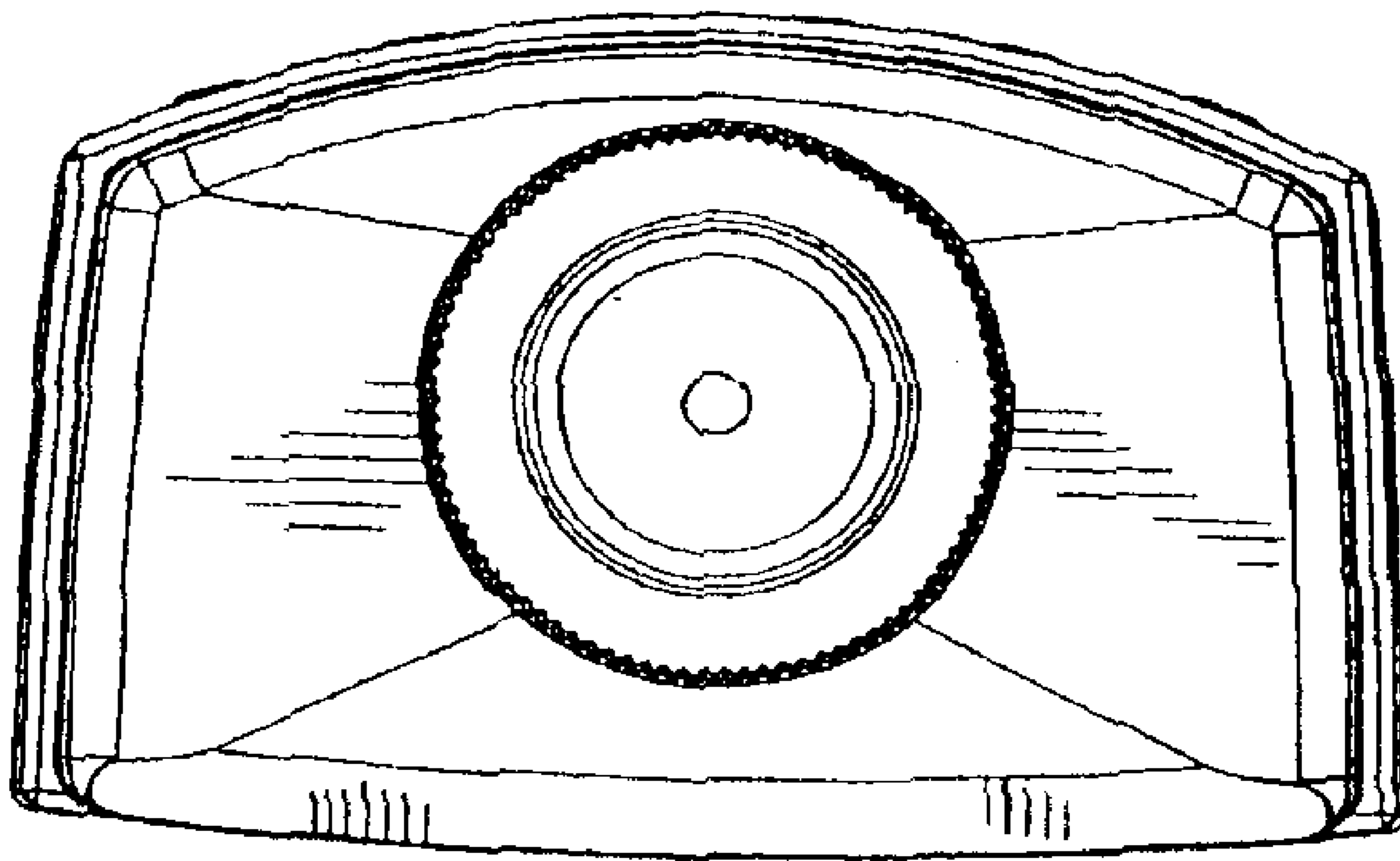


FIG. 3

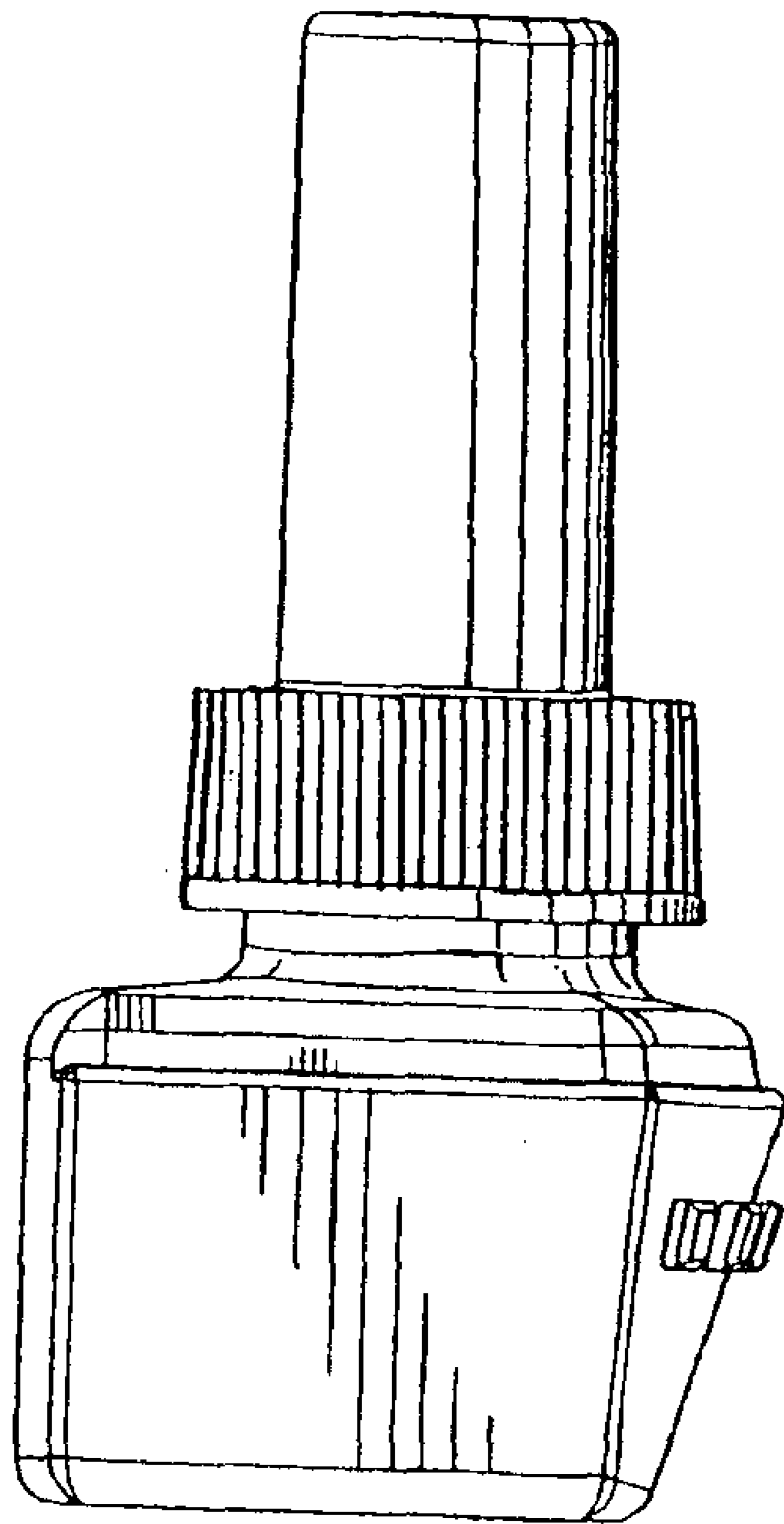


FIG. 4

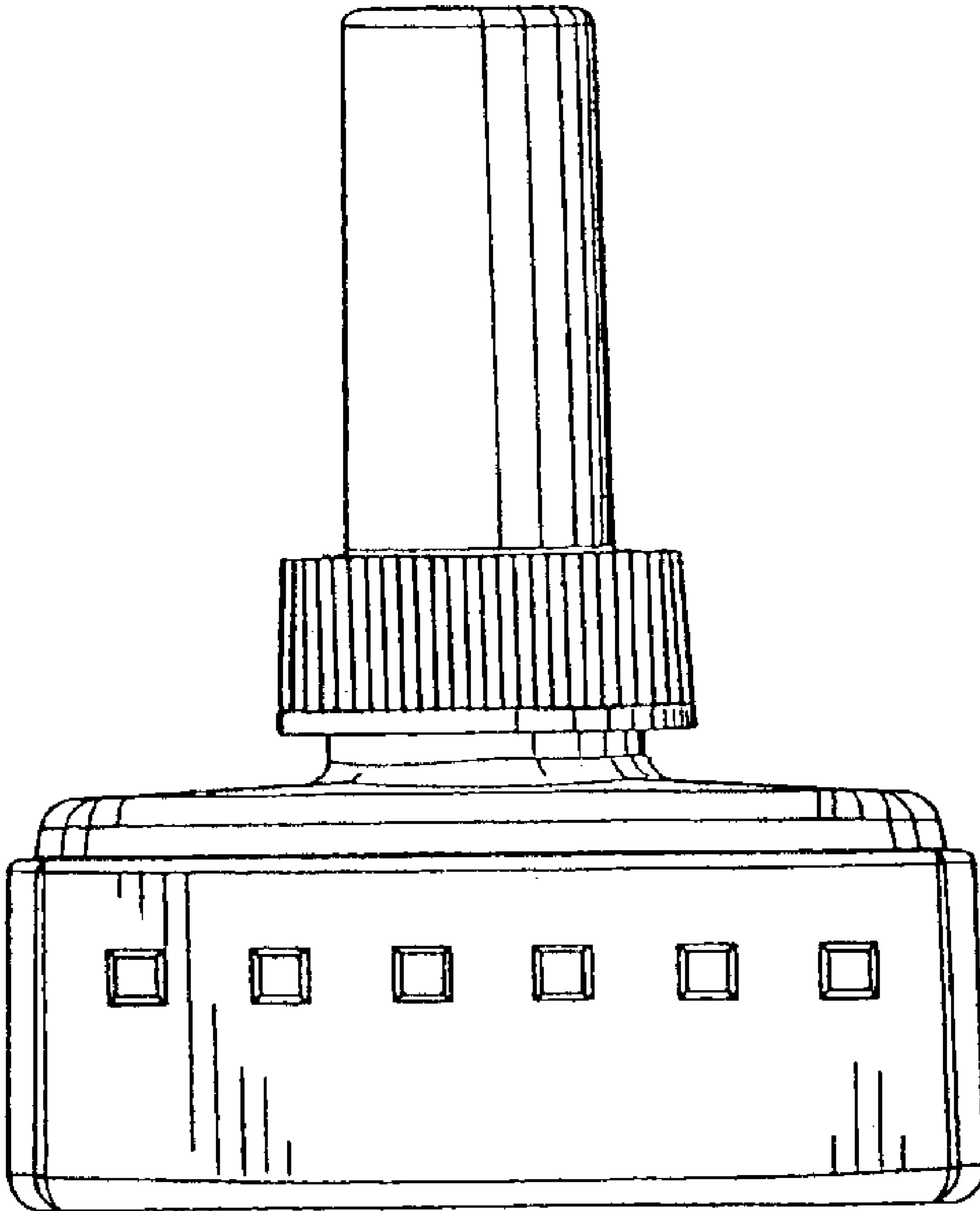


FIG. 5

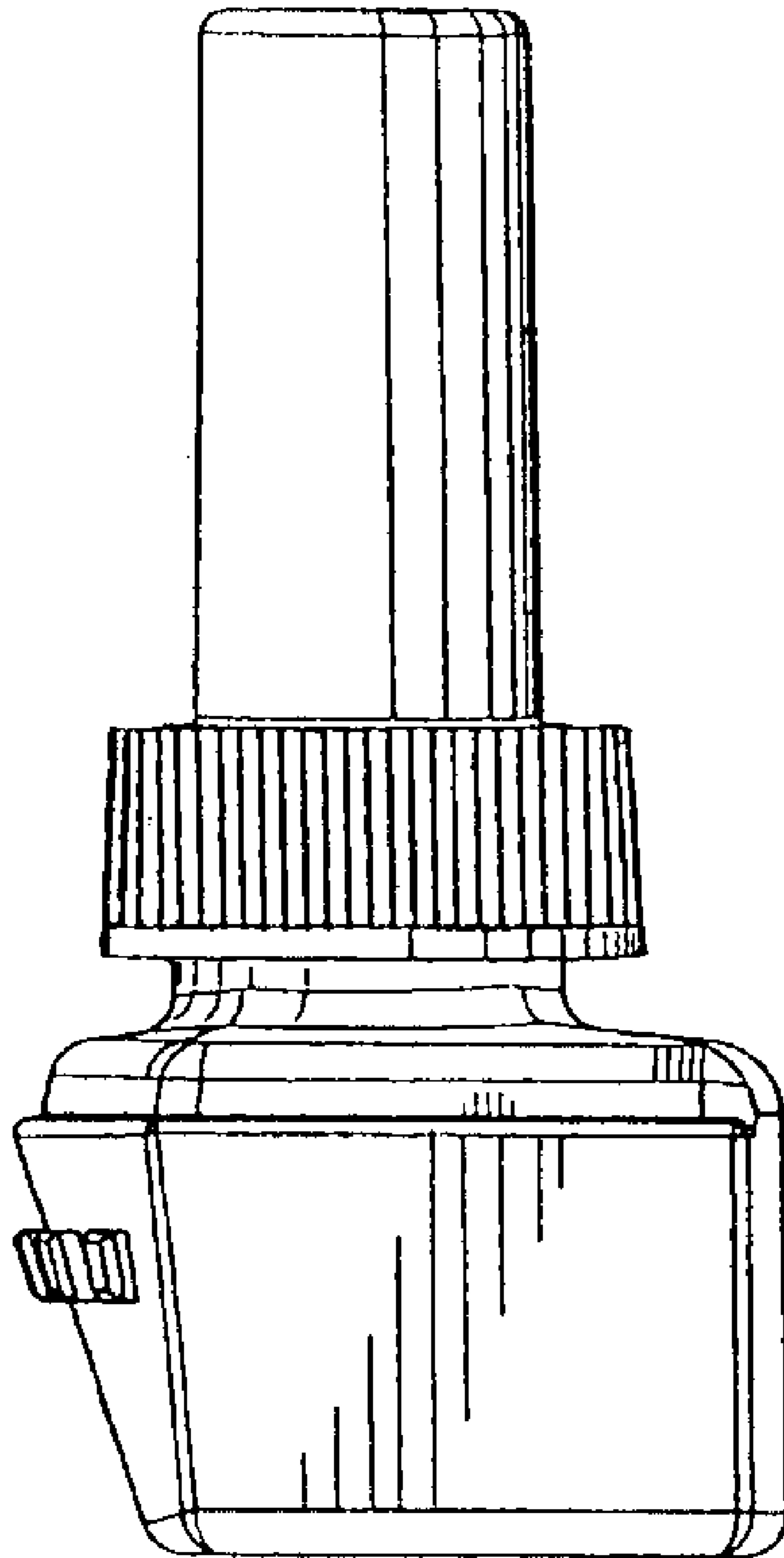


FIG. 6

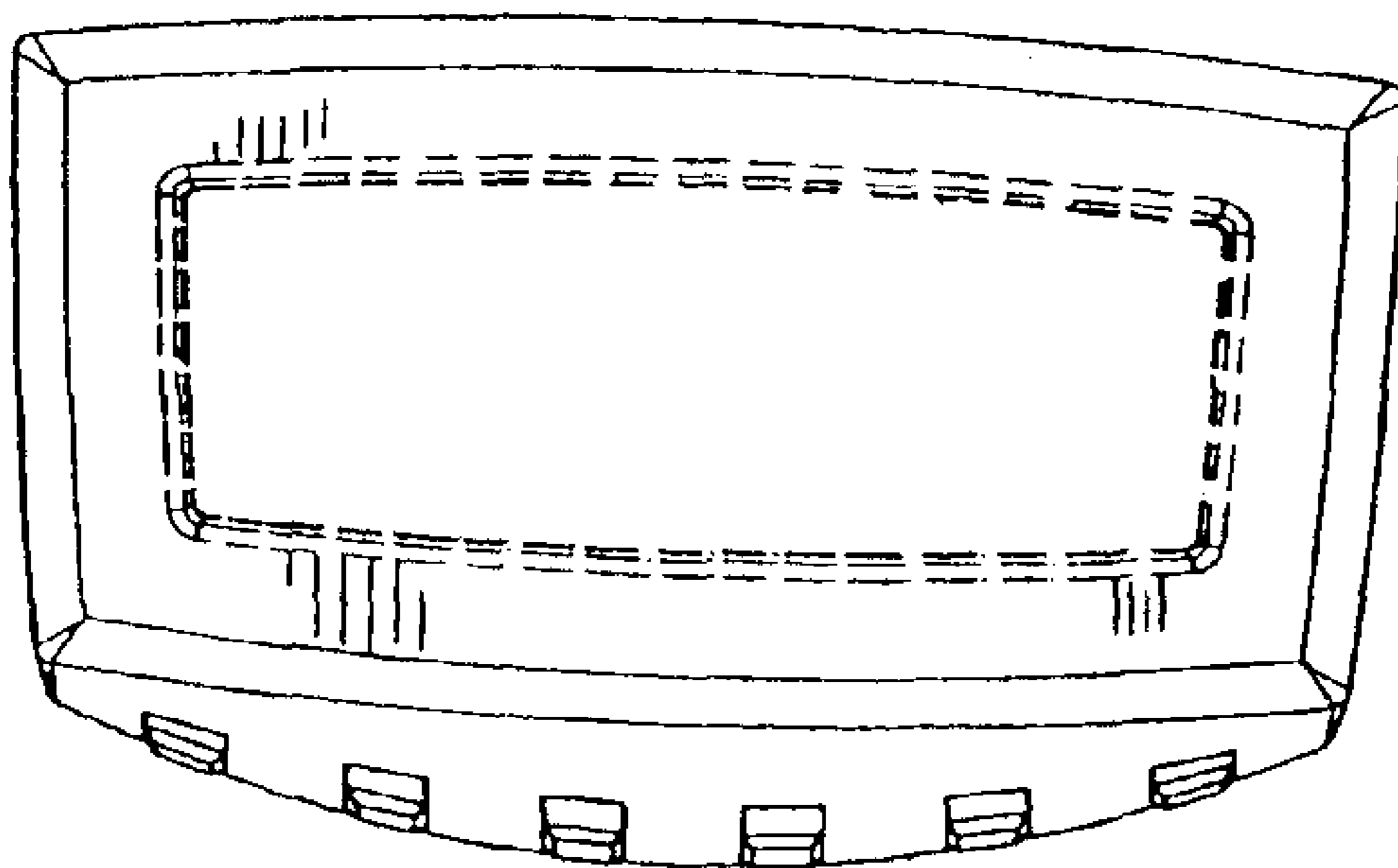


FIG. 7

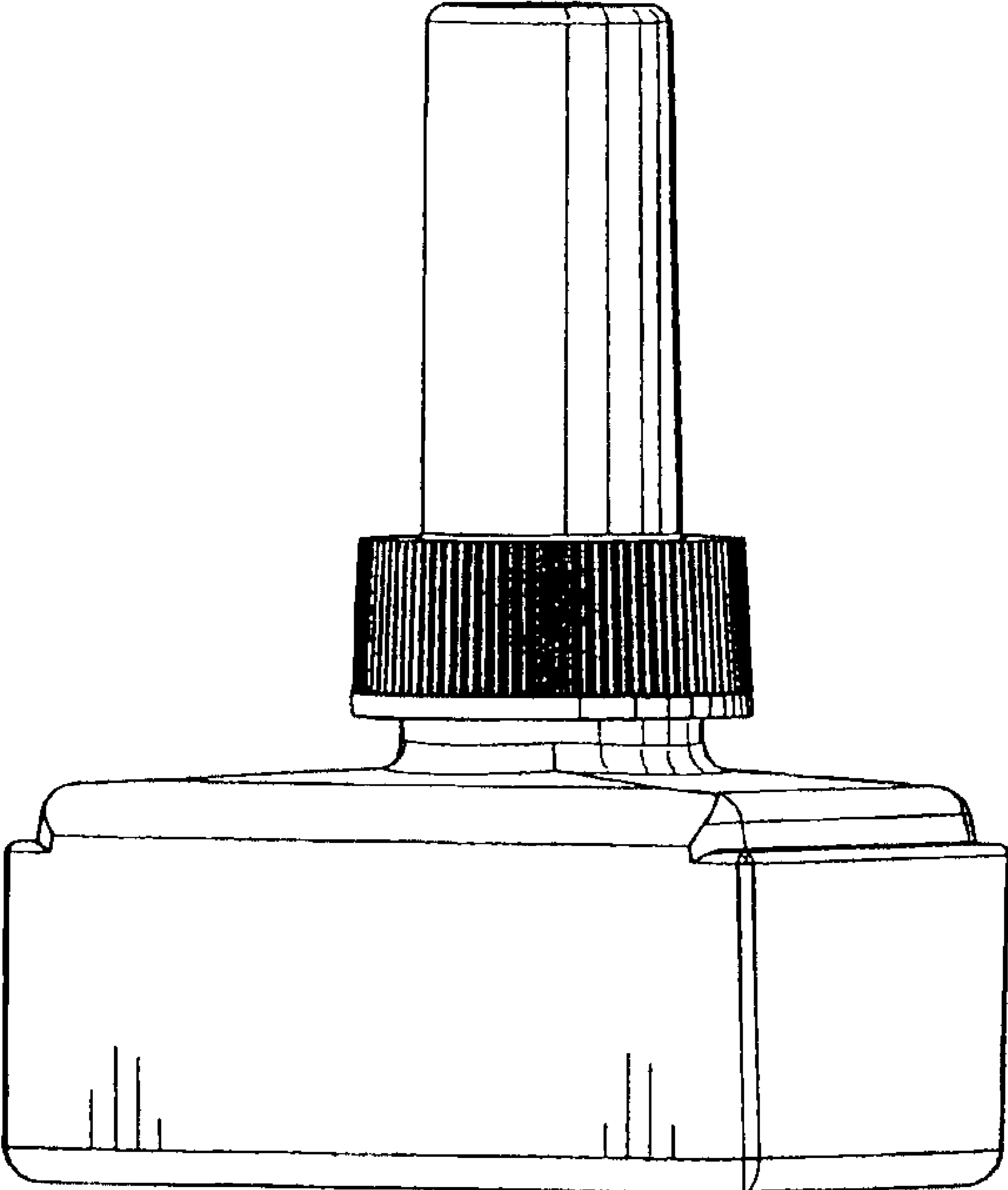


FIG. 8