



US00D542661S

(12) **United States Design Patent** (10) **Patent No.:** **US D542,661 S**
Adler et al. (45) **Date of Patent:** **** May 15, 2007**

(54) **BOTTLE**

(75) Inventors: **Deborah B. Adler**, New York, NY (US); **Klaus Rosburg**, New York, NY (US); **Patrick Douglas**, Minneapolis, MN (US); **Matthew S. Grisik**, Rosemount, MN (US)

(73) Assignee: **Target Brands, Inc.**, Minneapolis, MN (US)

(**) Term: **14 Years**

(21) Appl. No.: **29/221,974**

(22) Filed: **Jan. 25, 2005**

(51) **LOC (8) Cl.** **09-01**

(52) **U.S. Cl.** **D9/521; D9/563; D9/564; D9/573**

(58) **Field of Classification Search** D9/516, D9/521-522, 530, 541-543, 560, 563-564, D9/566, 569-570, 572-575; 215/379, 381-384; 220/660, 662, 669-670, 674-675

See application file for complete search history.

(56) **References Cited**

U.S. PATENT DOCUMENTS

D18,997 S * 4/1889 Underhill D9/544
406,017 A 6/1889 Woodward et al.
605,213 A 6/1898 Weller

(Continued)

FOREIGN PATENT DOCUMENTS

DE 3723671 C2 8/1988
EP 0 316 636 5/1989
EP 0146095 B1 8/1989
EP 0609955 B1 4/1998
EP 0609954 B1 7/1998
GB 2 006 713 A 5/1979
WO WO03/098275 11/2003
WO 2004/048216 A1 6/2004

OTHER PUBLICATIONS

English Abstract of DE3723671.
Adler et al., "Pharmacy Bottle System", U.S. Appl. No. 11/042,849, filed Jan. 25, 2005.
Adler et al., "Bottle System", U.S. Appl. No. 29/221,984, filed Jan. 25, 2005.
Adler et al., "Bottle System", U.S. Appl. No. 29/222,067, filed Jan. 25, 2005.

(Continued)

Primary Examiner—Ian Simmons
Assistant Examiner—Dana Sipos

(74) *Attorney, Agent, or Firm*—Dicke, Billig & Czaja, P.L.L.C.

(57) **CLAIM**

The ornamental design for a bottle, as shown and described.

DESCRIPTION

FIG. 1 is a top, right side and rear perspective view of a bottle of the present invention, with the label and card insert removed for ease of illustration;

FIG. 2 is a rear elevational view thereof;

FIG. 3 is a front elevational view thereof;

FIG. 4 is a left side elevational view thereof;

FIG. 5 is a right side elevational view thereof;

FIG. 6 is a top plan view thereof;

FIG. 7 is a bottom plan view thereof;

FIG. 8 is a top, left side, front perspective view of a second embodiment showing the bottle of FIG. 1 with a neck ring;

FIG. 9 is a rear elevational view thereof;

FIG. 10 is a top, right side, rear perspective view of a third embodiment showing a label applied to the bottle of FIG. 1;

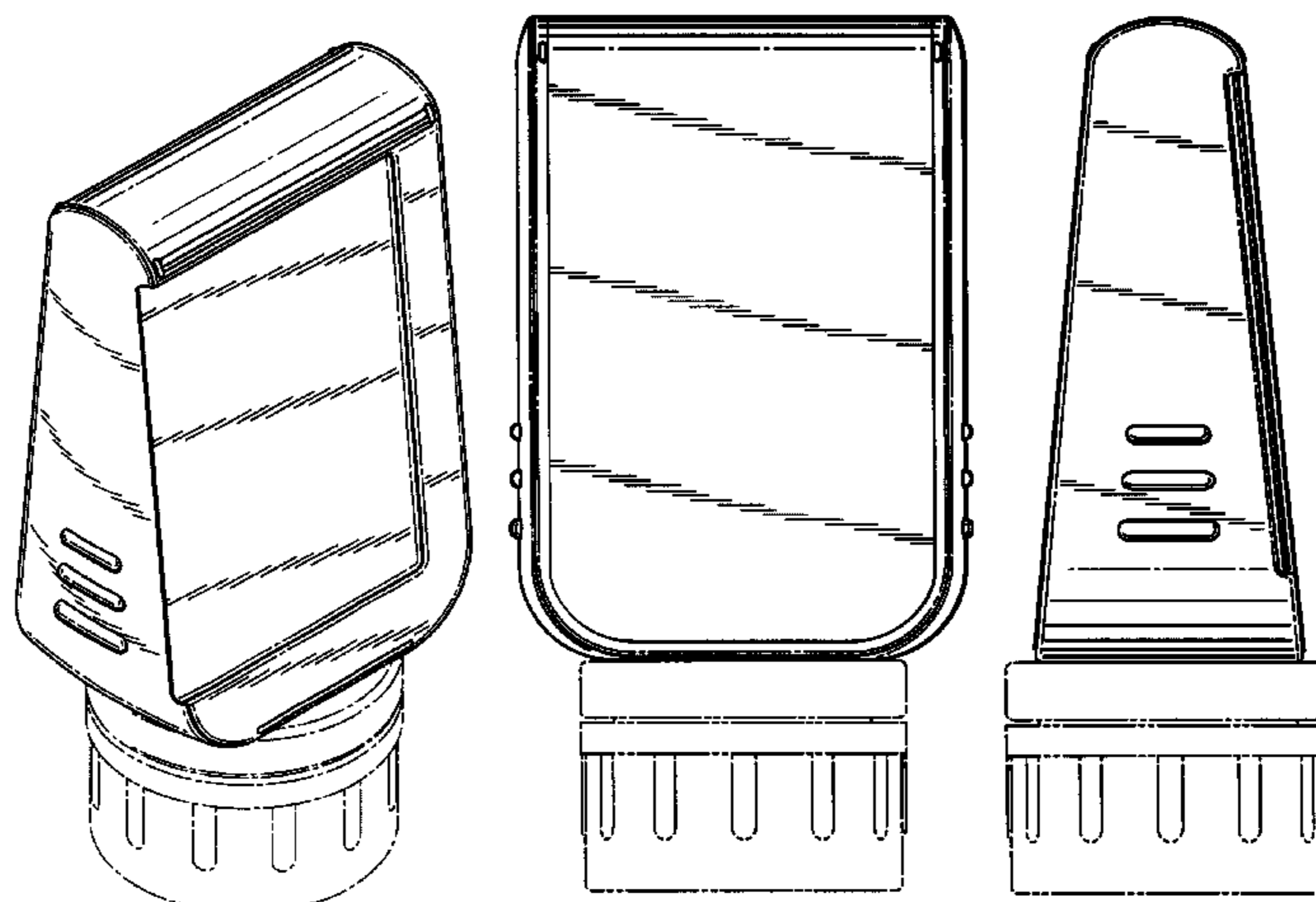
FIG. 11 is a front elevational view thereof;

FIG. 12 is a top, right side, rear perspective view of a fourth embodiment showing a label applied to the bottle of FIG. 1 and an added card insert; and,

FIG. 13 is a right side elevational view thereof.

The broken lines shown in the drawings are for illustrative purposes only and form no part of the claimed design.

1 Claim, 7 Drawing Sheets



US D542,661 S

| U.S. PATENT DOCUMENTS | | | | | |
|-----------------------|---------|----------------------|-----------------|---------|--------------------------|
| 624,701 A | 5/1899 | Stevenson | 5,309,279 A | 5/1994 | Halstead |
| 716,793 A | 12/1902 | Vogeler | D350,691 S * | 9/1994 | Simion D9/695 |
| D45,565 S | 4/1914 | Lloyd | 5,343,647 A | 9/1994 | Bulka |
| 1,181,098 A | 4/1916 | Lambert | 5,346,069 A | 9/1994 | Intini |
| 1,289,218 A | 12/1918 | Maiden | D351,796 S | 10/1994 | Deddens |
| 1,554,191 A | 9/1925 | Alexander | 5,351,991 A | 10/1994 | McDonald |
| 1,653,608 A | 12/1927 | Allen | D355,125 S | 2/1995 | Patel et al. |
| 1,686,354 A | 10/1928 | Wallace | D355,126 S | 2/1995 | Paulovich et al. |
| 1,769,147 A | 7/1930 | Lennon | 5,403,636 A | 4/1995 | Crum |
| 1,850,369 A | 3/1932 | Andrews | 5,448,844 A | 9/1995 | Miller, Jr. et al. |
| 2,110,768 A | 3/1938 | Kellogg | 5,476,420 A | 12/1995 | Manning |
| D128,282 S | 7/1941 | Gelinas et al. | 5,588,239 A | 12/1996 | Anderson |
| 2,270,277 A | 1/1942 | Dowd | 5,601,314 A | 2/1997 | Burns et al. |
| D132,185 S | 4/1942 | McIntosh | 5,642,906 A | 7/1997 | Foote et al. |
| 2,328,806 A | 9/1943 | Hoofer | 5,660,138 A | 8/1997 | Hirsch |
| 2,844,893 A | 7/1958 | Keller | 5,662,239 A | 9/1997 | Heuvelman |
| 2,847,971 A | 8/1958 | Painter | D389,064 S * | 1/1998 | Sethi et al. D9/521 |
| 2,961,108 A | 11/1960 | Johnson | 5,704,144 A | 1/1998 | Groth |
| 3,256,978 A | 6/1966 | Srigley et al. | 5,704,648 A | 1/1998 | Brown et al. |
| 3,423,861 A | 1/1969 | Forsyth | 5,718,347 A | 2/1998 | Walker et al. |
| 3,433,378 A | 3/1969 | Ross | 5,719,828 A | 2/1998 | Haas et al. |
| 3,757,994 A | 9/1973 | Skoetsch | 5,729,922 A | 3/1998 | Peterson et al. |
| 3,787,993 A | 1/1974 | Lyon | 5,760,975 A | 6/1998 | DiGiovanni |
| 3,822,780 A | 7/1974 | Ulmer et al. | D395,828 S | 7/1998 | Lecoule |
| 3,826,222 A | 7/1974 | Romick | 5,779,072 A | 7/1998 | Krebs |
| 3,850,326 A | 11/1974 | Ryles | 5,788,974 A | 8/1998 | D'Amico et al. |
| 3,923,180 A | 12/1975 | Fields | 5,799,815 A | 9/1998 | Lang |
| 3,996,879 A | 12/1976 | Walton | 5,800,144 A | 9/1998 | Glenn et al. |
| 4,022,352 A | 5/1977 | Pehr | 5,829,789 A | 11/1998 | Treleaven et al. |
| 4,044,889 A | 8/1977 | Orentreich et al. | 5,887,736 A | 3/1999 | Mar |
| 4,064,645 A | 12/1977 | Wood | 5,918,758 A | 7/1999 | Galton-Fenzi |
| RE29,793 E | 10/1978 | Pehr | 5,980,352 A | 11/1999 | Rigberg |
| 4,143,786 A | 3/1979 | Goldberg et al. | 6,003,902 A | 12/1999 | Petkovsek |
| 4,150,760 A | 4/1979 | d'Orgelys | D419,077 S * | 1/2000 | Sultan D9/563 |
| D255,054 S | 5/1980 | Kingsford | 6,023,865 A | 2/2000 | Preuss |
| 4,246,709 A | 1/1981 | Selleslags | 6,068,300 A | 5/2000 | Vijuk et al. |
| 4,263,734 A | 4/1981 | Bradshaw | 6,081,392 A | 6/2000 | Pensmith |
| 4,284,200 A | 8/1981 | Bush et al. | 6,086,702 A | 7/2000 | Rea |
| 4,334,638 A | 6/1982 | Stock | 6,196,593 B1 | 3/2001 | Petrick et al. |
| D270,998 S | 10/1983 | Stark | 6,209,921 B1 | 4/2001 | Hogan et al. |
| 4,535,903 A | 8/1985 | Franchi | 6,220,439 B1 | 4/2001 | Virvo |
| D280,601 S | 9/1985 | Biesecker | 6,226,564 B1 | 5/2001 | Stuart |
| D282,909 S | 3/1986 | Biesecker | 6,241,844 B1 | 6/2001 | Petkovsek |
| D285,535 S | 9/1986 | Buchholz et al. | D445,338 S * | 7/2001 | Helleu D9/521 |
| 4,732,411 A | 3/1988 | Siegel | 6,270,121 B1 | 8/2001 | Dolan et al. |
| 4,799,712 A | 1/1989 | Biava et al. | 6,278,545 B1 | 8/2001 | Napier |
| 4,813,570 A | 3/1989 | Pontoppidan | 6,360,462 B1 | 3/2002 | Mengel |
| 4,863,026 A | 9/1989 | Perkowski | 6,366,401 B1 | 4/2002 | Gonda et al. |
| 4,868,027 A | 9/1989 | Hunkeler et al. | 6,367,639 B1 | 4/2002 | Mar |
| 4,883,180 A | 11/1989 | Humphrey et al. | 6,367,640 B1 | 4/2002 | Julian |
| 4,890,742 A | 1/1990 | Allison | 6,386,367 B1 | 5/2002 | Bayliss, IV |
| 4,913,083 A | 4/1990 | Valvo et al. | 6,491,164 B1 | 12/2002 | Virvo |
| 4,918,604 A | 4/1990 | Baum | D470,415 S * | 2/2003 | Weber D9/521 |
| 4,919,285 A | 4/1990 | Roof et al. | 6,549,345 B1 | 4/2003 | Cardarelli |
| 4,941,573 A | 7/1990 | Fuerstman | 6,568,530 B2 | 5/2003 | Takahashi et al. |
| 4,972,657 A | 11/1990 | McKee | 6,594,928 B1 | 7/2003 | Clawson et al. |
| 4,991,877 A | 2/1991 | Lieberman | D480,002 S | 9/2003 | Canepa |
| 5,011,032 A | 4/1991 | Rollman | D480,005 S * | 9/2003 | Conway D9/530 |
| 5,020,682 A | 6/1991 | Dutt | 6,621,629 B2 | 9/2003 | Blumenthal et al. |
| D323,780 S * | 2/1992 | Addante D9/521 | D480,960 S | 10/2003 | Gray et al. |
| 5,102,169 A | 4/1992 | Mayfield | 6,669,804 B2 | 12/2003 | Pendry et al. |
| 5,145,080 A | 9/1992 | Imbery, Jr. | 6,681,945 B1 | 1/2004 | Harrold |
| 5,165,546 A | 11/1992 | Jaeger et al. | 6,712,398 B1 | 3/2004 | Fox et al. |
| 5,172,936 A | 12/1992 | Sullivan et al. | 6,745,505 B2 | 6/2004 | Moran |
| D333,618 S | 3/1993 | Patel et al. | D497,311 S | 10/2004 | Walsh et al. |
| 5,193,032 A | 3/1993 | Hirth | 6,860,390 B2 | 3/2005 | Bowman |
| 5,204,775 A | 4/1993 | McDevitt | 2001/0017817 A1 | 8/2001 | De La Huerga |
| 5,261,702 A | 11/1993 | Mayfield | 2001/0054817 A1 | 12/2001 | Kelley et al. |
| 5,284,363 A | 2/1994 | Gartner et al. | 2002/0020088 A1 | 2/2002 | Kreutner |
| 5,301,802 A | 4/1994 | Nemeroff | 2002/0041091 A1 | 4/2002 | Eippert |
| | | | 2002/0063739 A1 | 5/2002 | Gosden et al. |

2002/0088732 A1 7/2002 Takahashi et al.
2002/0129758 A1 9/2002 Hanley et al.
2002/0162261 A1 11/2002 West et al.
2002/0171238 A1 11/2002 Kozlowski et al.
2003/0025320 A1 2/2003 Shoemaker
2003/0028392 A1 2/2003 Davies
2003/0091687 A1 5/2003 Copelan
2003/0127351 A1 7/2003 Takahashi et al.
2003/0192211 A1 10/2003 Elias
2003/0193185 A1 10/2003 Valley et al.
2003/0205897 A1 11/2003 Kaufman
2003/0214129 A1 11/2003 Adler
2004/0050750 A1 3/2004 Hannan et al.
2004/0056479 A1 3/2004 Fox et al.
2004/0075272 A1 4/2004 Kaufman
2004/0193454 A1 9/2004 Foote et al.

OTHER PUBLICATIONS

Adler et al., "Pharmacy Bottle System", U.S. Appl. No. 11/042,907, filed Jan. 25, 2005.

Adler et al., "Pharmacy Label System", U.S. Appl. No. 11/042,739, filed Jan. 25, 2005.

Adler, "Medication Packaging and Labeling System", U.S. Appl. No. 10/437,474, filed May 14, 2003.

Adler, "Medication Packaging and Labeling System", U.S. Appl. No. 11/477,286, filed Jun. 28, 2006.

International Search Report from International Application No. PCT/US2005/019401, mailed Jan. 18, 2006 (8 pages).

* cited by examiner

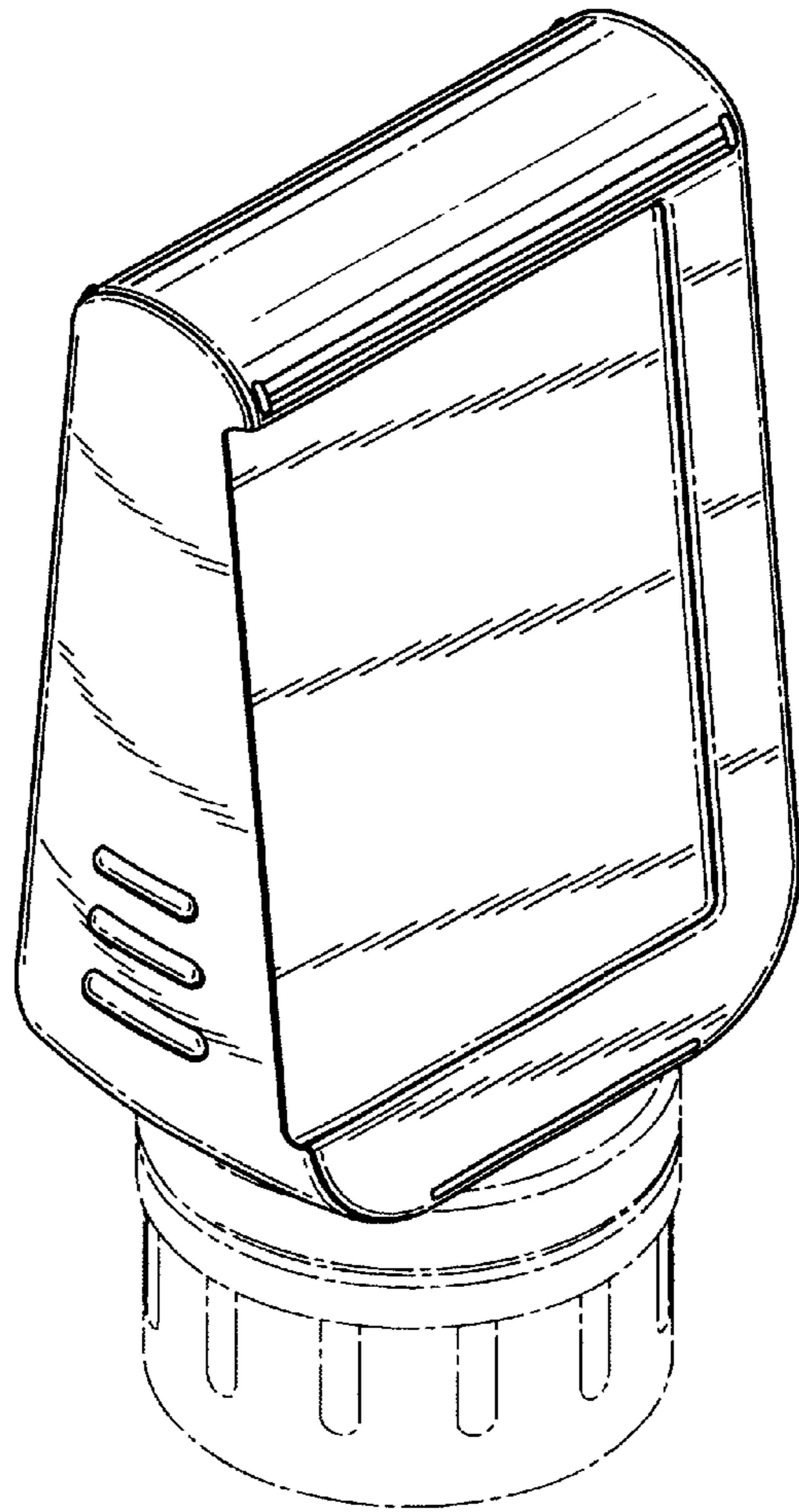


Fig. 1

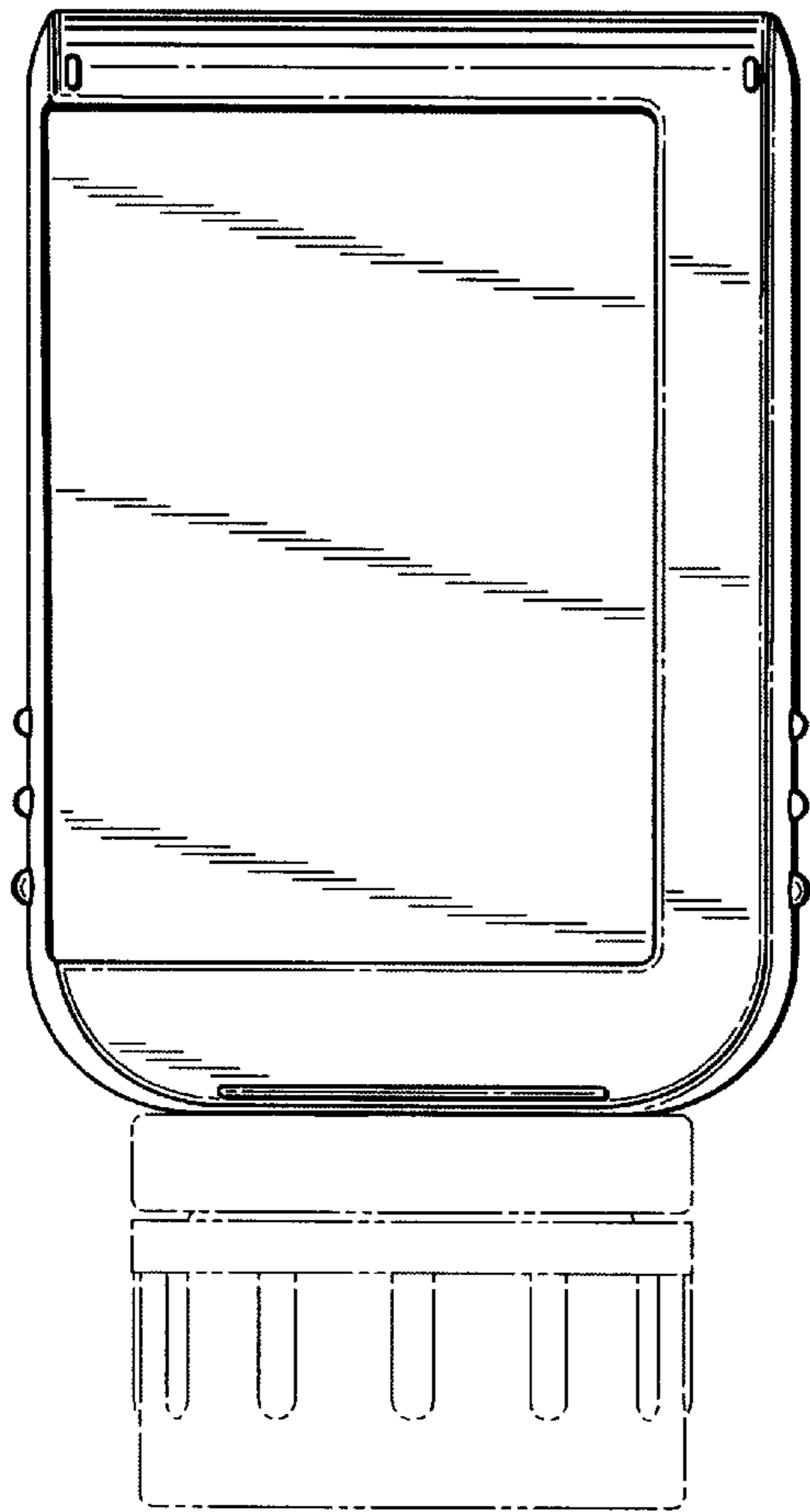


Fig. 2

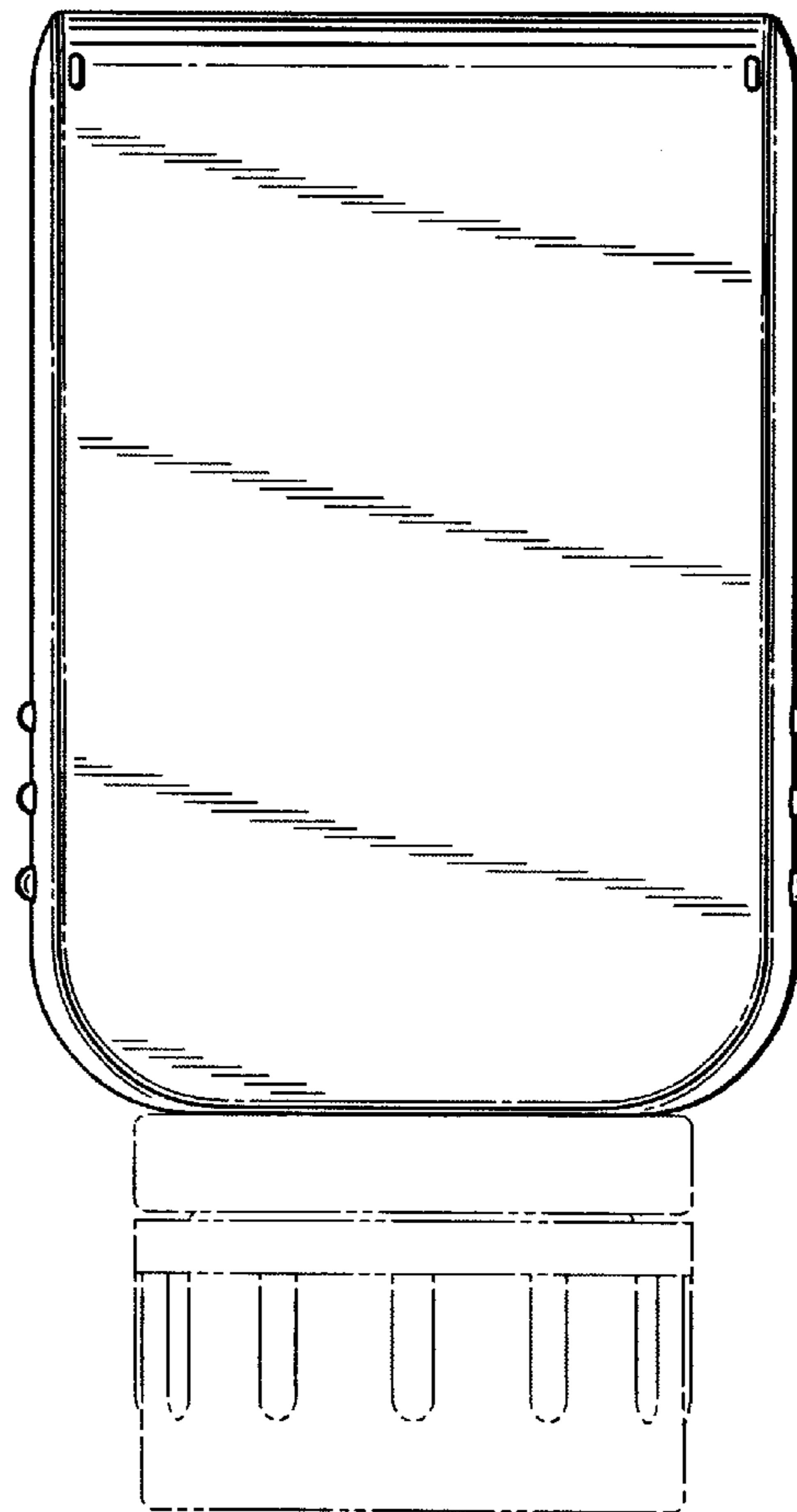


Fig. 3

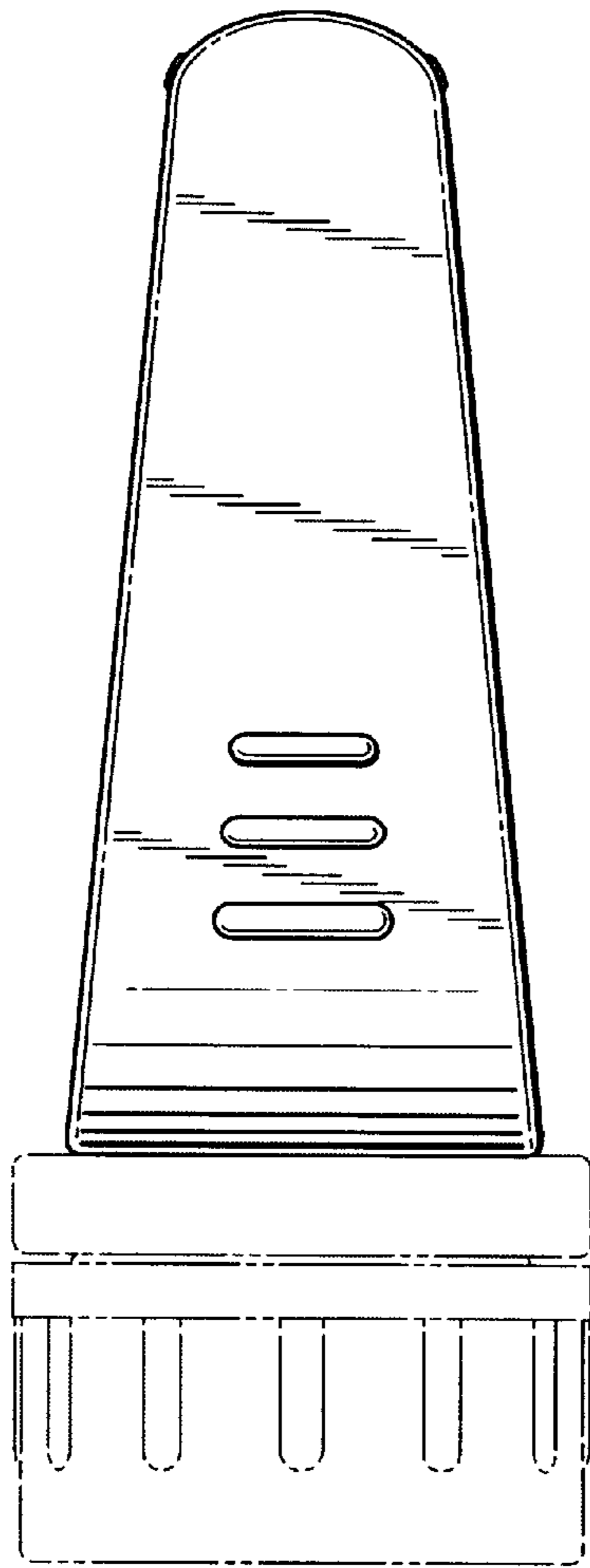


Fig. 4

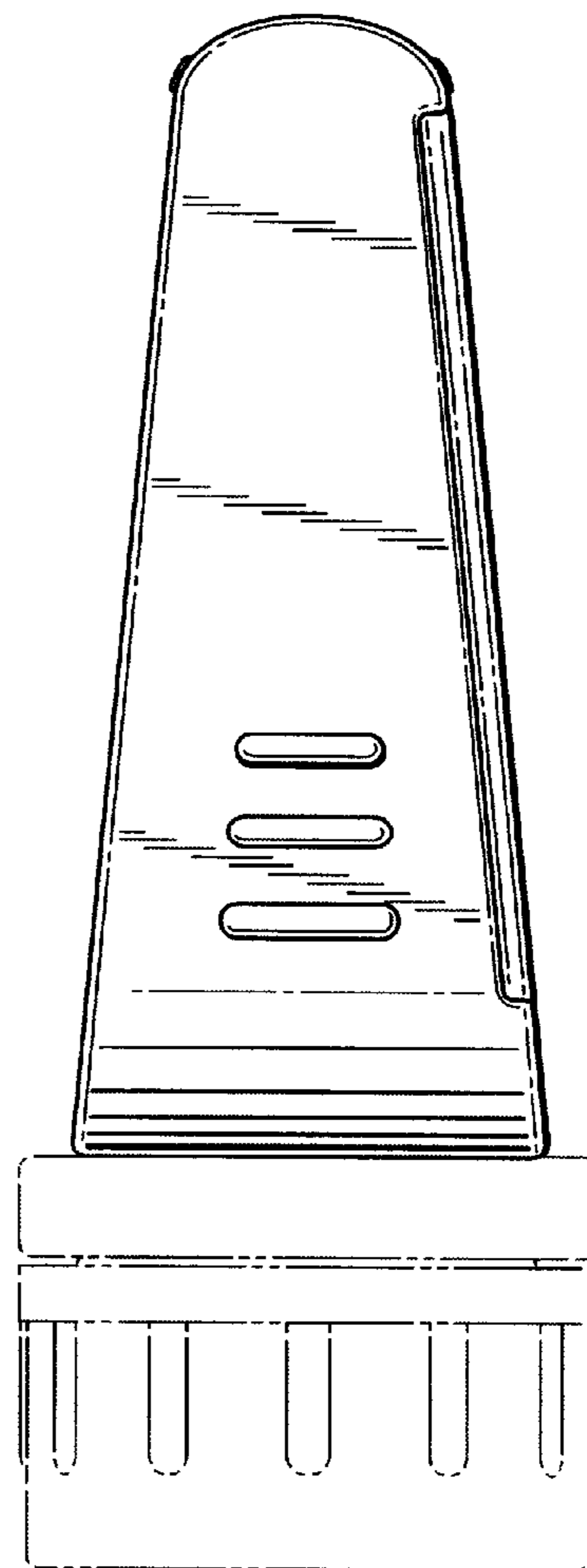


Fig. 5

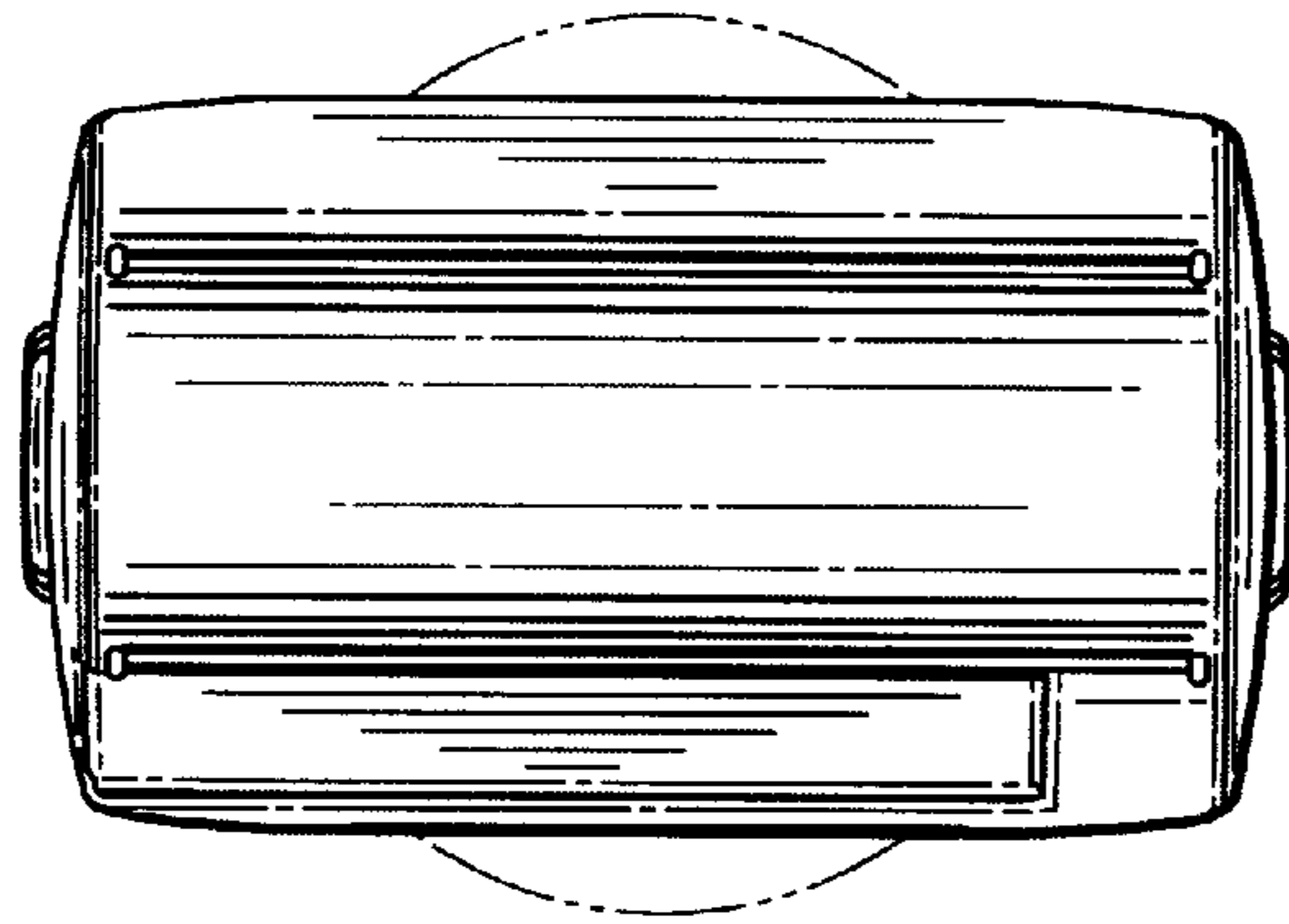


Fig. 6

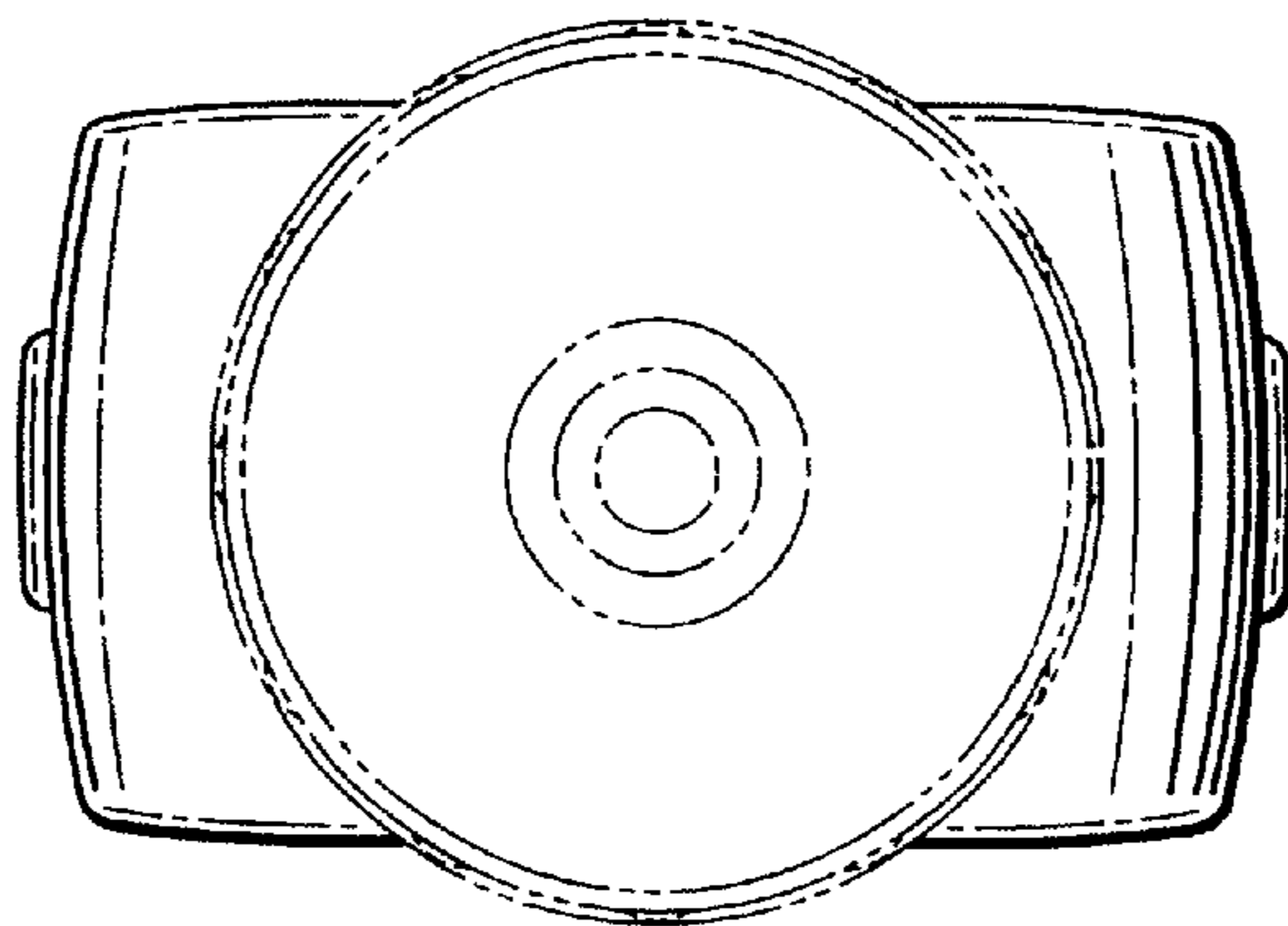


Fig. 7

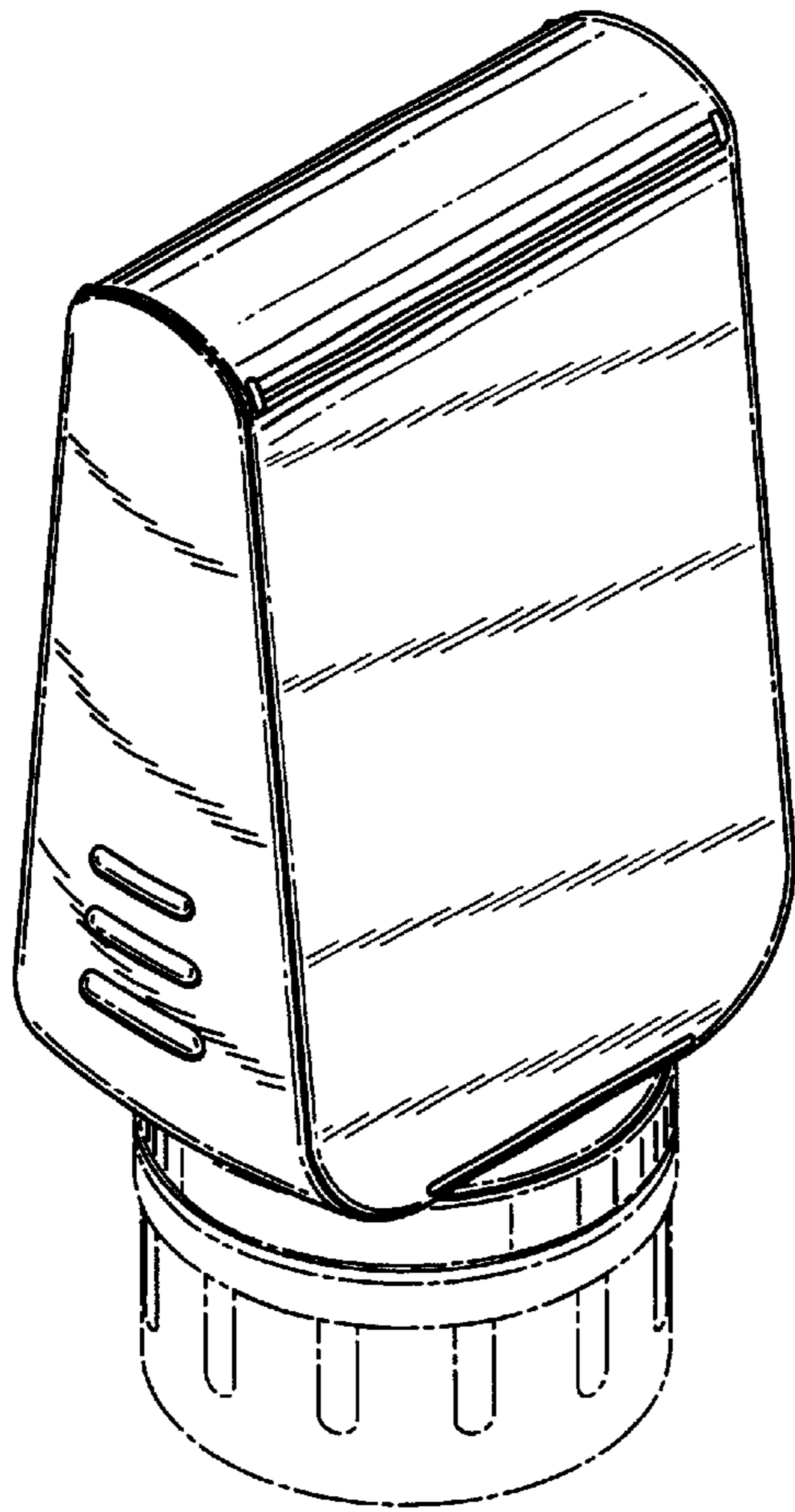


Fig. 8

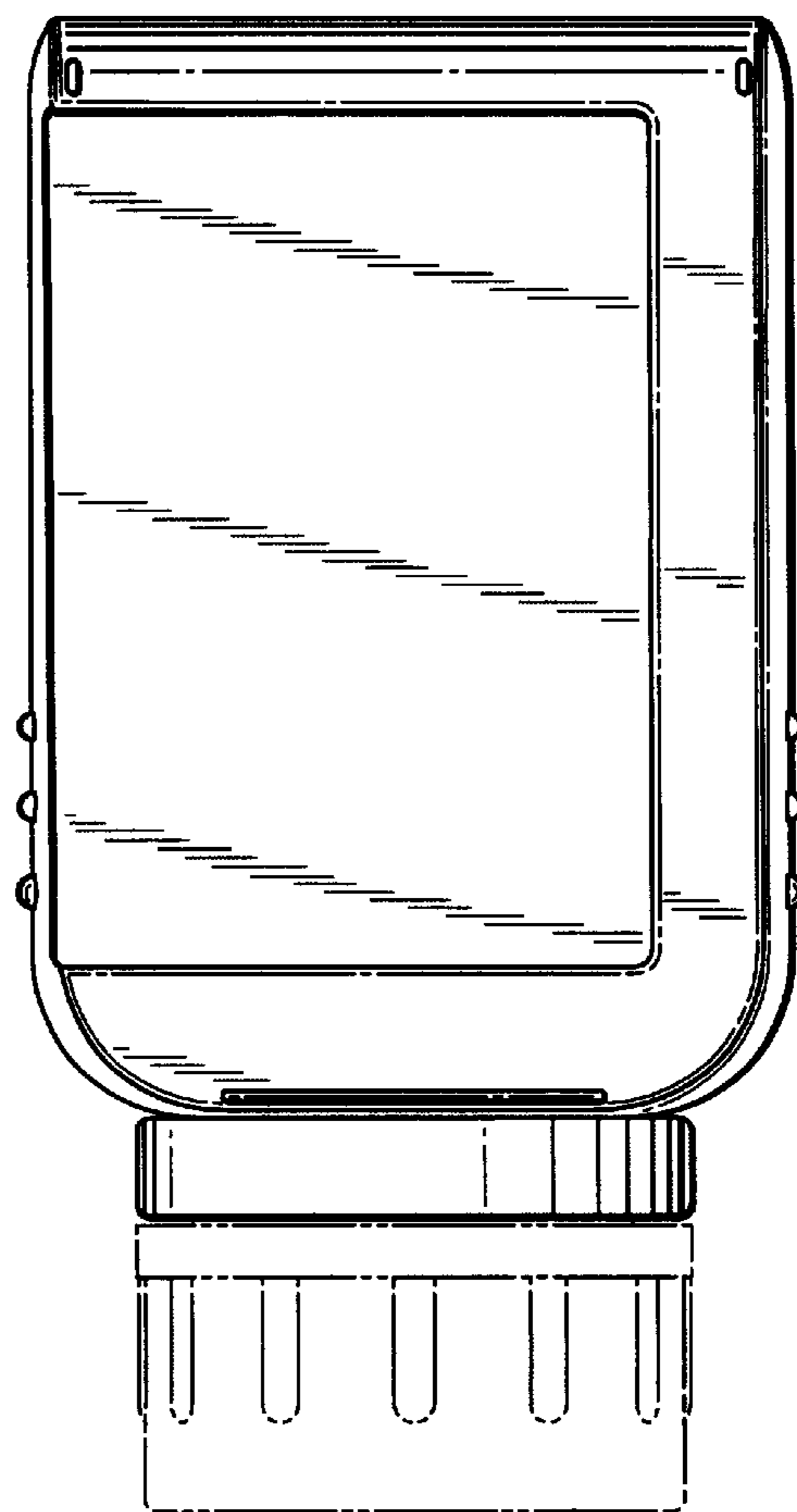


Fig. 9

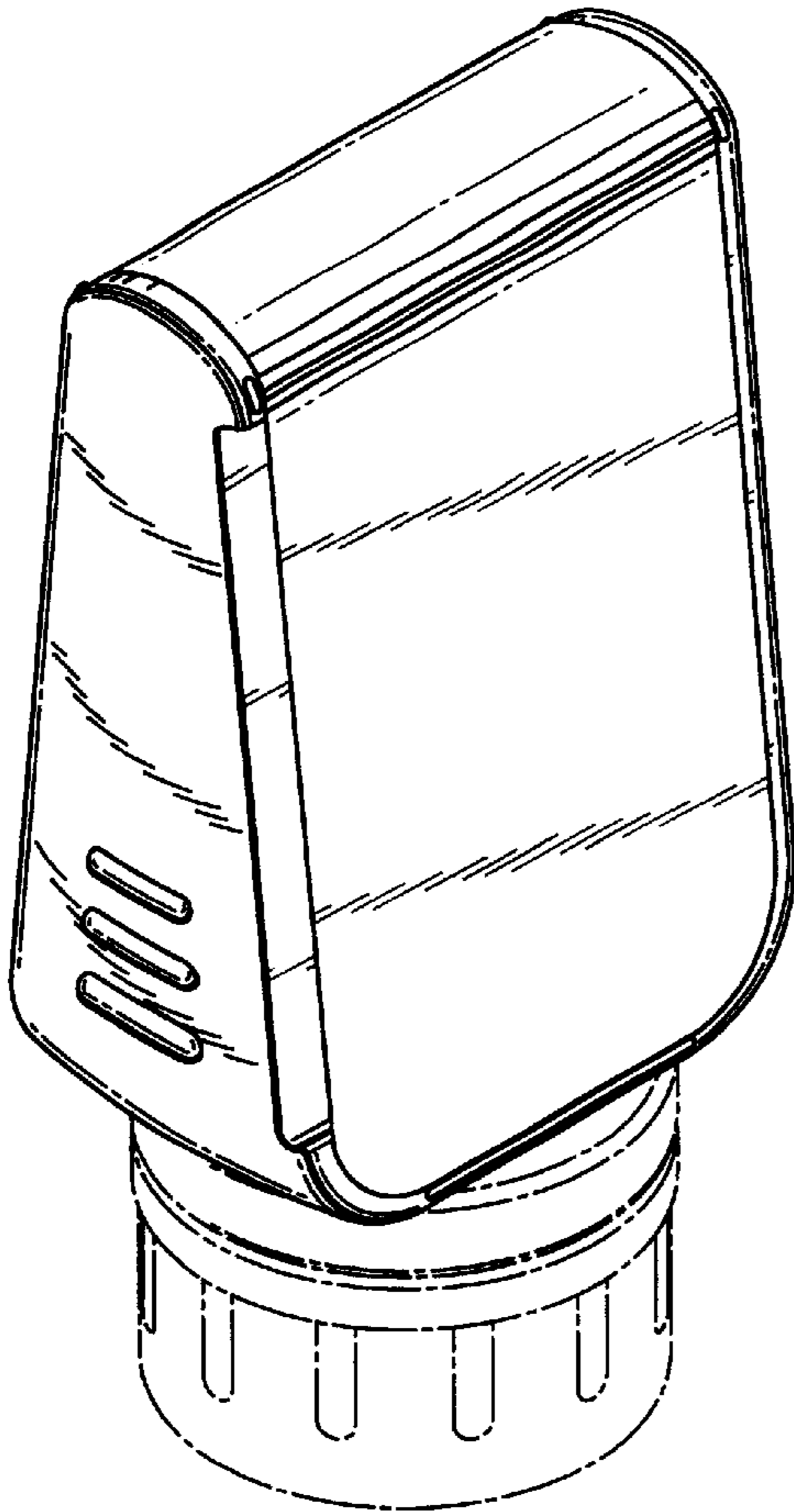


Fig. 10

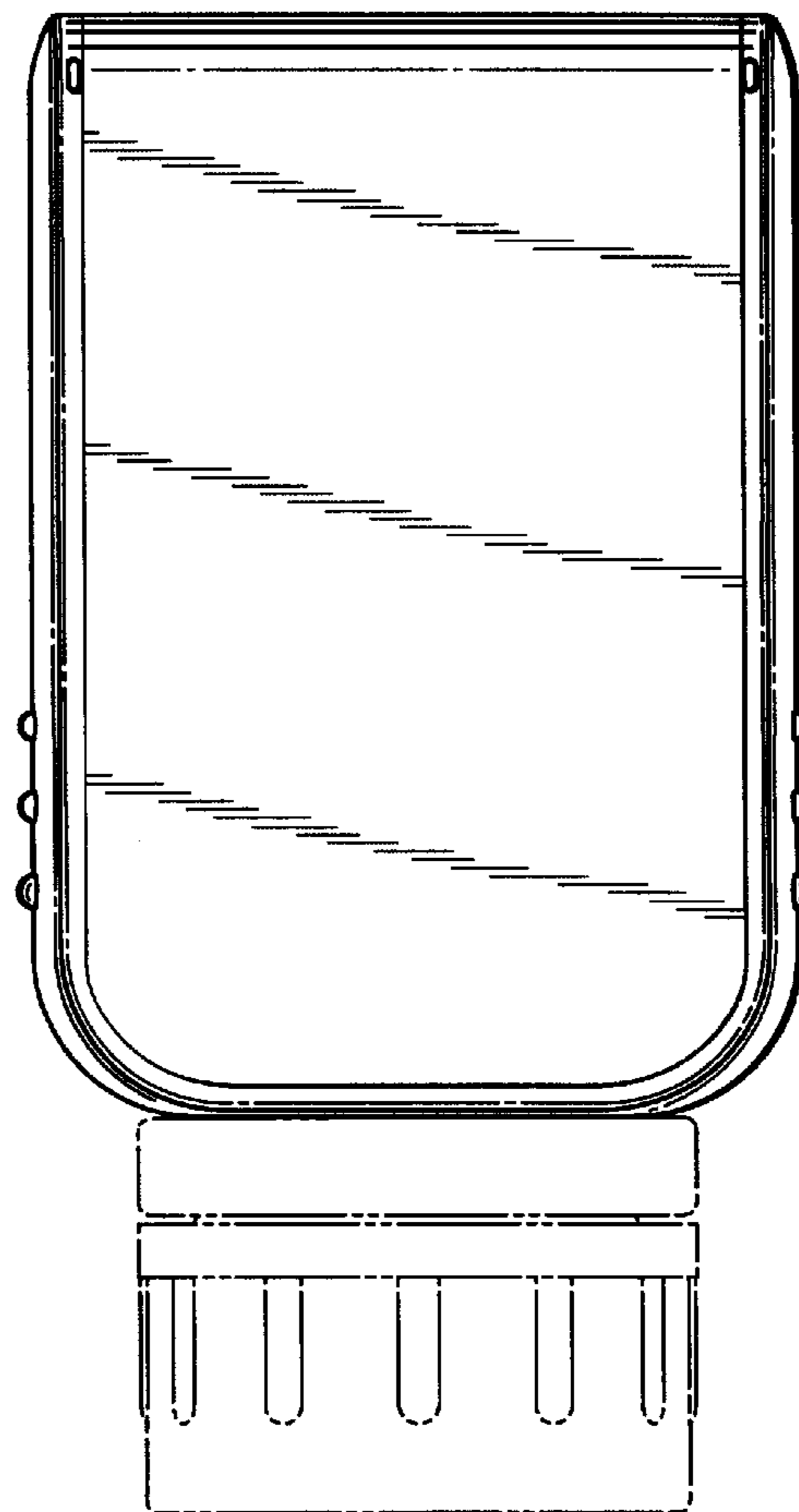


Fig. 11

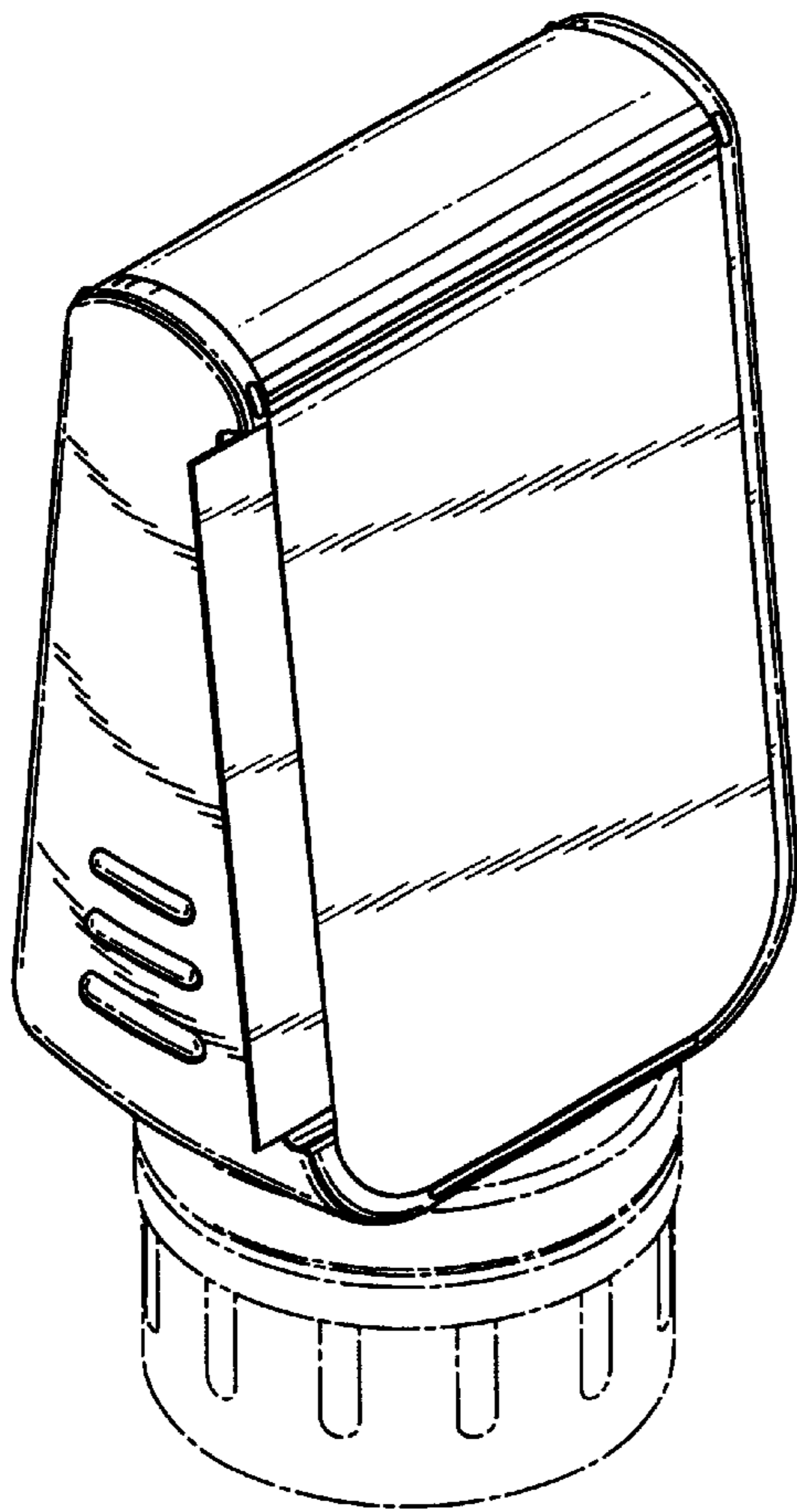


Fig. 12

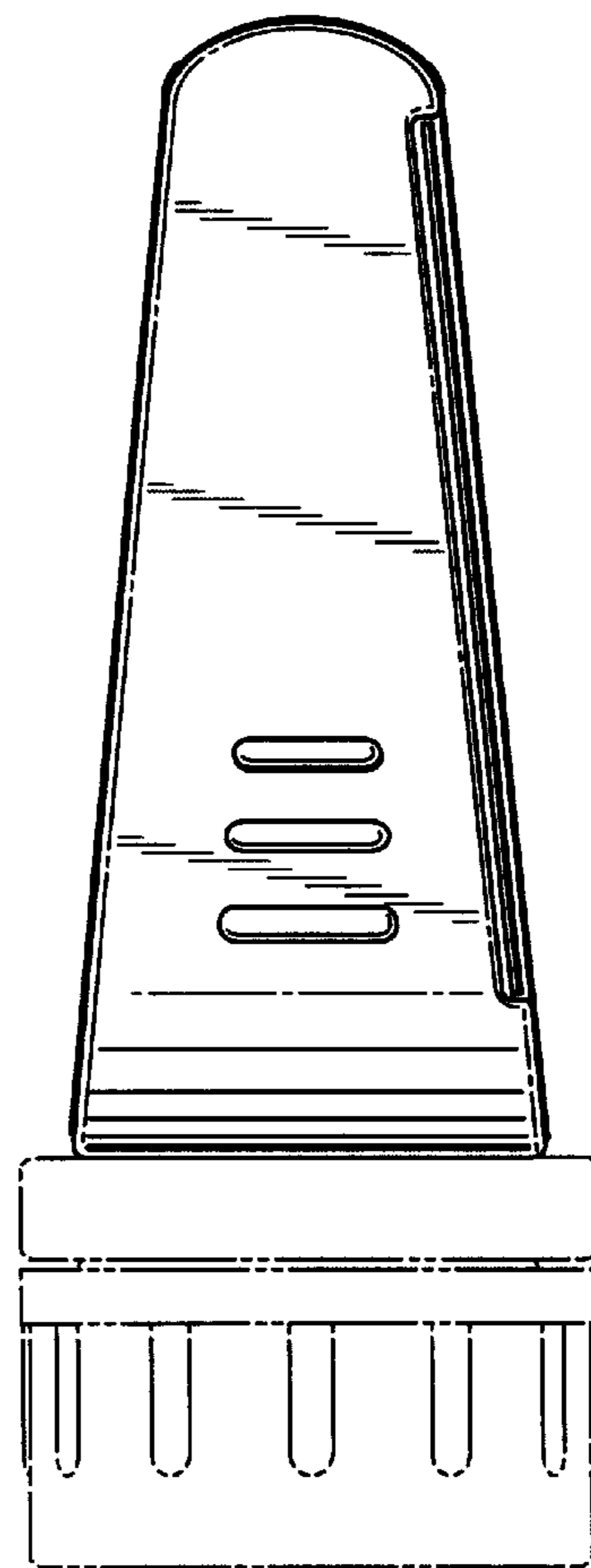


Fig. 13