



US00D542655S

(12) **United States Design Patent**  
**Szczesniak**

(10) **Patent No.:** **US D542,655 S**  
(45) **Date of Patent:** **\*\* May 15, 2007**

(54) **CLOSURE CAP**  
(75) Inventor: **Dennis A. Szczesniak**, Palos Hills, IL (US)  
(73) Assignee: **Silgan White Cap Americas LLC**, Downers Grove, IL (US)  
(\*\*) Term: **14 Years**  
(21) Appl. No.: **29/245,716**  
(22) Filed: **Dec. 28, 2005**  
(51) **LOC (8) Cl.** ..... **09-07**  
(52) **U.S. Cl.** ..... **D9/453**  
(58) **Field of Classification Search** ..... D9/690, D9/688, 686, 569, 529, 503, 454, 453, 452, D9/447, 436, 435, 429; 215/331, 330, 329, 215/317, 316, 272; D12/197; D7/629  
See application file for complete search history.

D266,906 S 11/1982 Guerette  
D267,547 S 1/1983 Nightingale, III  
D276,027 S 10/1984 Albert et al.  
D289,143 S 4/1987 Guillaume  
D291,868 S 9/1987 Hindle  
D304,424 S \* 11/1989 Dawson ..... D9/453  
D309,863 S 8/1990 Baxter  
D318,618 S 7/1991 Scarpa et al.  
5,080,246 A 1/1992 Hayes  
D354,914 S 1/1995 Newman  
5,487,481 A 1/1996 Sander et al.  
D407,978 S \* 4/1999 Petro ..... D9/453  
D415,962 S \* 11/1999 Garcia ..... D9/453  
D417,397 S \* 12/1999 Forecast et al. .... D9/453  
D449,537 S 10/2001 Feigenbaum  
D465,731 S 11/2002 Brant et al.  
D482,967 S 12/2003 Bourque et al.  
D487,700 S 3/2004 Bourque et al.  
D531,505 S \* 11/2006 Lohrman ..... D9/453

\* cited by examiner

*Primary Examiner*—Robert M. Spear  
*Assistant Examiner*—Susan Bennett Hattan  
(74) *Attorney, Agent, or Firm*—Cook, Alex, McFarron, Manzo, Cummings & Mehler, Ltd.

(56) **References Cited**  
U.S. PATENT DOCUMENTS

D53,911 S 10/1919 Humphrey  
D89,809 S 5/1933 Von Till  
D93,650 S 10/1934 Fleisch  
1,981,414 A 11/1934 Hermani  
D95,675 S 5/1935 Fuerst  
D96,766 S 9/1935 Kronman  
D99,327 S 4/1936 Howie, Jr.  
D101,623 S 10/1936 Fleisch  
D105,858 S 8/1937 Fleisch  
D124,384 S \* 12/1940 Ehrlich ..... D9/453  
D136,439 S 10/1943 Tatro  
D136,440 S 10/1943 Tatro  
D138,312 S 7/1944 Derham  
D202,938 S 11/1965 Danks  
D257,740 S 12/1980 Humphrey, II et al.

(57) **CLAIM**

The ornamental design for a closure cap, as shown and described.

**DESCRIPTION**

FIG. 1 is a perspective view of the closure cap of the invention;  
FIG. 2 is a side view of the closure cap of FIG. 1, the opposite side being identical thereto; and,  
FIG. 3 is a top plan view of the closure cap design of FIG. 1.

**1 Claim, 2 Drawing Sheets**

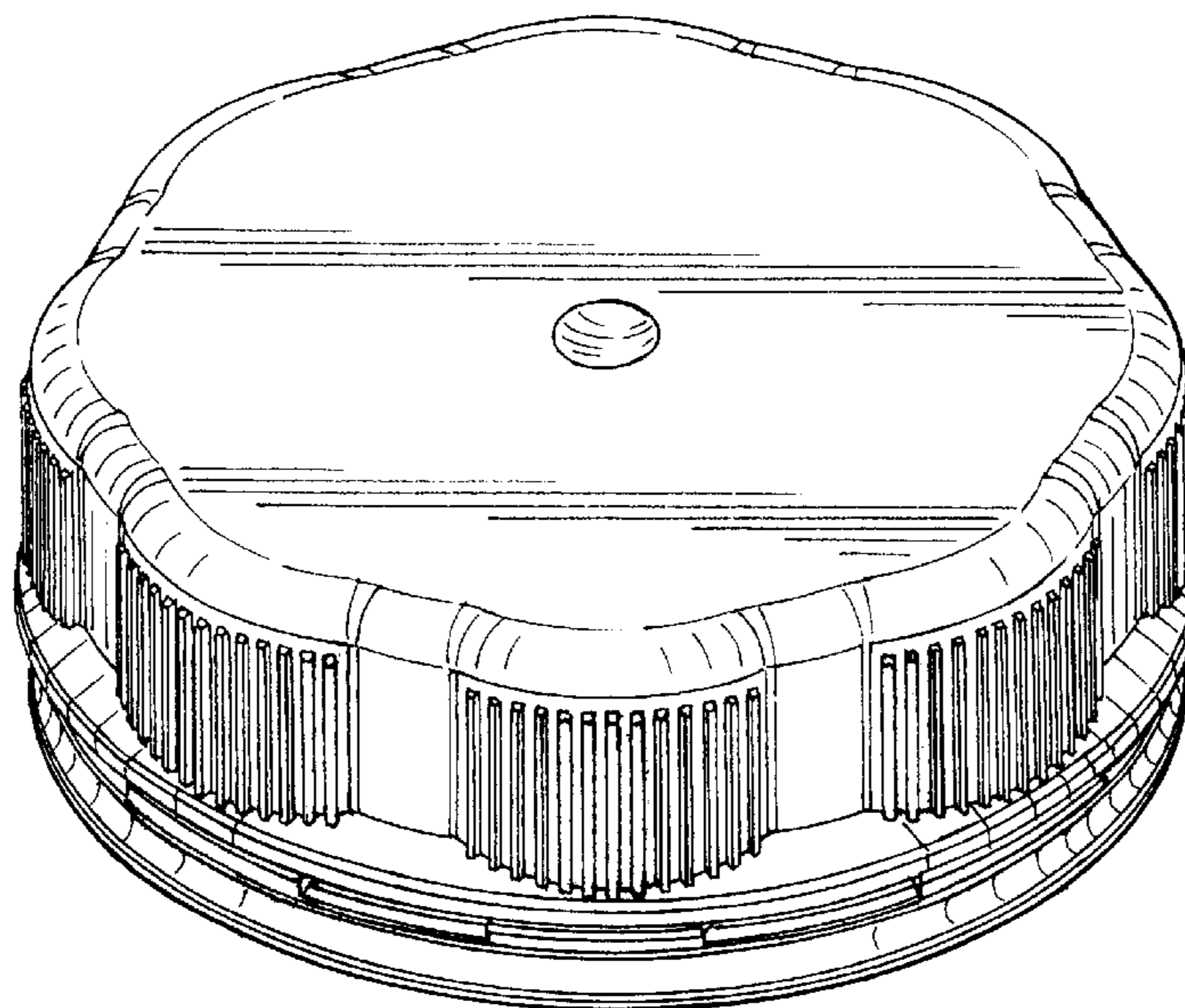


FIG.1

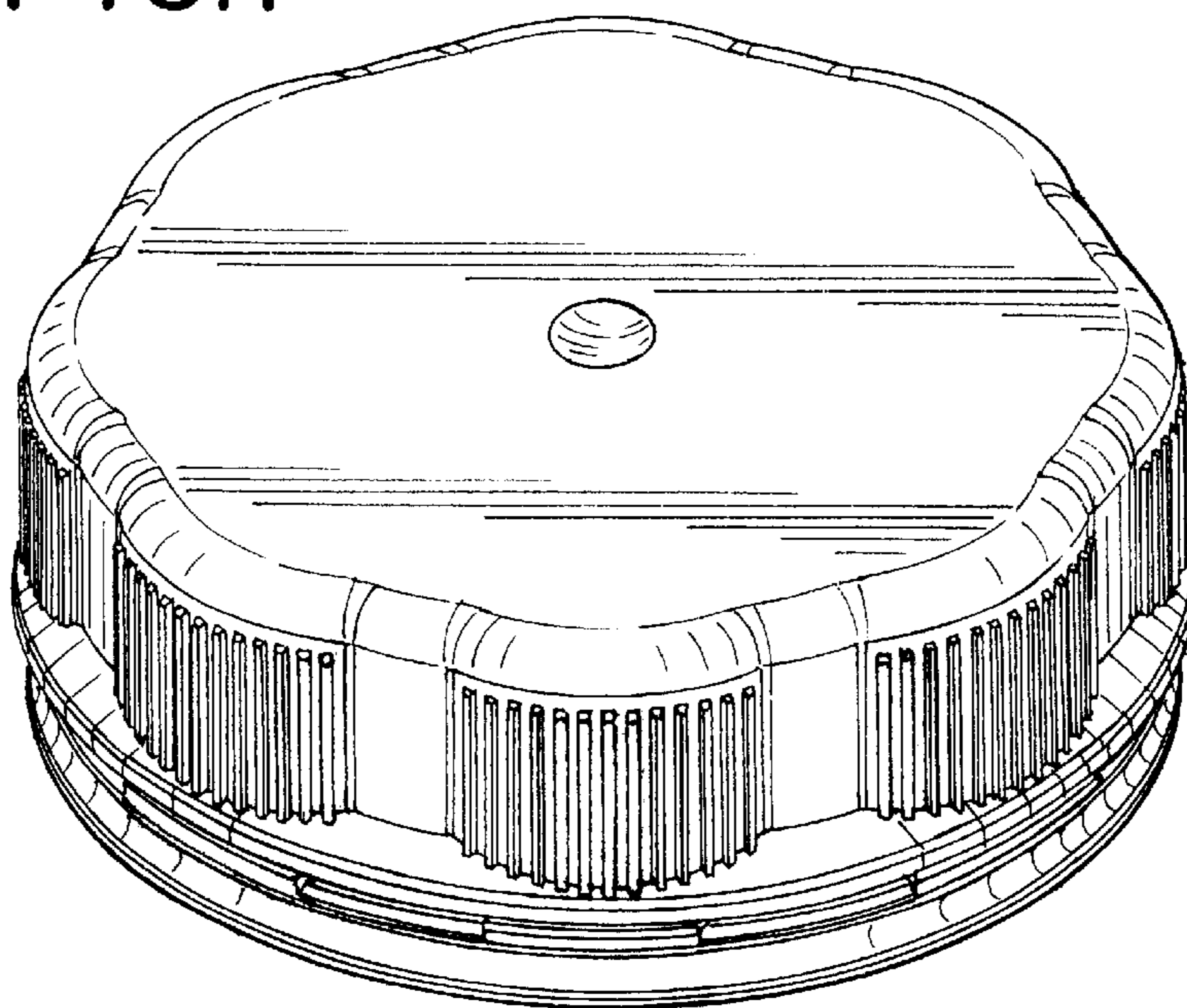


FIG.2

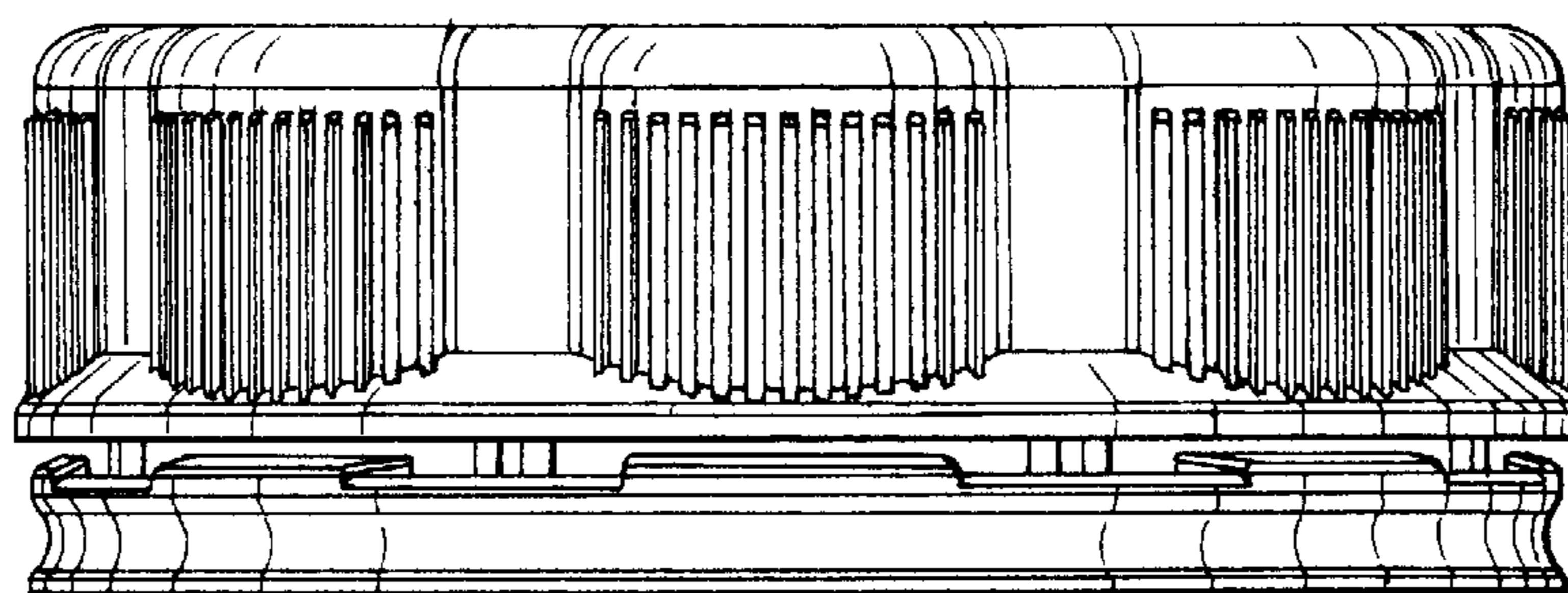


FIG.3

