



US00D542654S

(12) **United States Design Patent**
Szczesniak

(10) **Patent No.:** **US D542,654 S**
(45) **Date of Patent:** **** May 15, 2007**

(54) **CLOSURE CAP**
(75) Inventor: **Dennis A. Szczesniak**, Palos Hills, IL (US)
(73) Assignee: **Silgan White Cap Americas LLC**, Downers Grove, IL (US)
(**) Term: **14 Years**
(21) Appl. No.: **29/245,715**
(22) Filed: **Dec. 28, 2005**
(51) **LOC (8) Cl.** **09-07**
(52) **U.S. Cl.** **D9/453; D9/452**
(58) **Field of Classification Search** D9/690, D9/688, 686, 569, 529, 503, 454, 453, 452, D9/447, 436, 435, 429; 215/331, 330, 329, 215/317, 316, 272; D12/197; D7/629
See application file for complete search history.

D266,906 S 11/1982 Guerette
D267,547 S 1/1983 Nightingale, III
D276,027 S 10/1984 Albert et al.
D289,143 S 4/1987 Guillaume
D291,868 S 9/1987 Hindle
D304,424 S * 11/1989 Dawson D9/453
D309,863 S 8/1990 Baxter
D318,618 S 7/1991 Scarpa et al.
5,080,246 A 1/1992 Hayes
D354,914 S 1/1995 Newman
5,487,481 A 1/1996 Sander et al.
D407,978 S * 4/1999 Petro D9/453
D415,962 S * 11/1999 Garcia D9/453
D417,397 S * 12/1999 Forecast et al. D9/453
D449,537 S 10/2001 Feigenbaum
D465,731 S 11/2002 Brant et al.
D482,967 S 12/2003 Bourque et al.
D487,700 S 3/2004 Bourque et al.
D531,505 S * 11/2006 Lohrman D9/453

* cited by examiner

Primary Examiner—Robert M. Spear
Assistant Examiner—Susan Bennett Hattan
(74) *Attorney, Agent, or Firm*—Cook, Alex, McFarron, Manzo, Cummings & Mehler, Ltd.

(56) **References Cited**
U.S. PATENT DOCUMENTS

D53,911 S 10/1919 Humphrey
D89,809 S 5/1933 Von Till
D93,650 S 10/1934 Fleisch
1,981,414 A 11/1934 Hermani
D95,675 S 5/1935 Fuerst
D96,766 S 9/1935 Kronman
D99,327 S 4/1936 Howie, Jr.
D101,623 S 10/1936 Fleisch
D105,858 S 8/1937 Fleisch
D124,384 S * 12/1940 Ehrlich D9/453
D136,439 S 10/1943 Tatro
D136,440 S 10/1943 Tatro
D138,312 S 7/1944 Derham
D202,938 S 11/1965 Danks
D257,740 S 12/1980 Humphrey, II et al.

(57) **CLAIM**

The ornamental design for a closure cap, as shown and described.

DESCRIPTION

FIG. 1 is a perspective view of the closure cap of the invention;
FIG. 2 is a side view thereof, the opposite side being identical thereto; and,
FIG. 3 is a top plan view thereof.

1 Claim, 2 Drawing Sheets

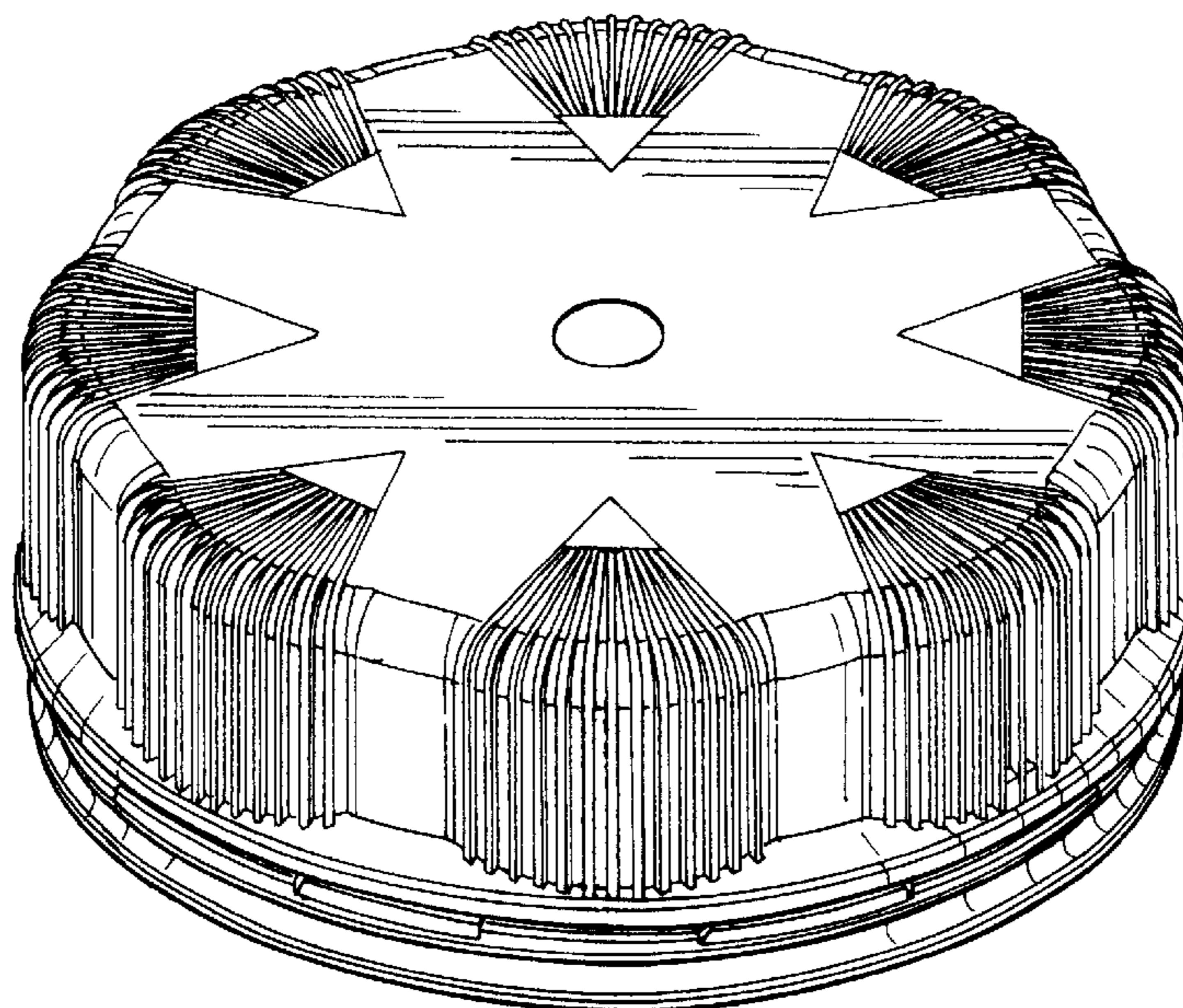


FIG. 1

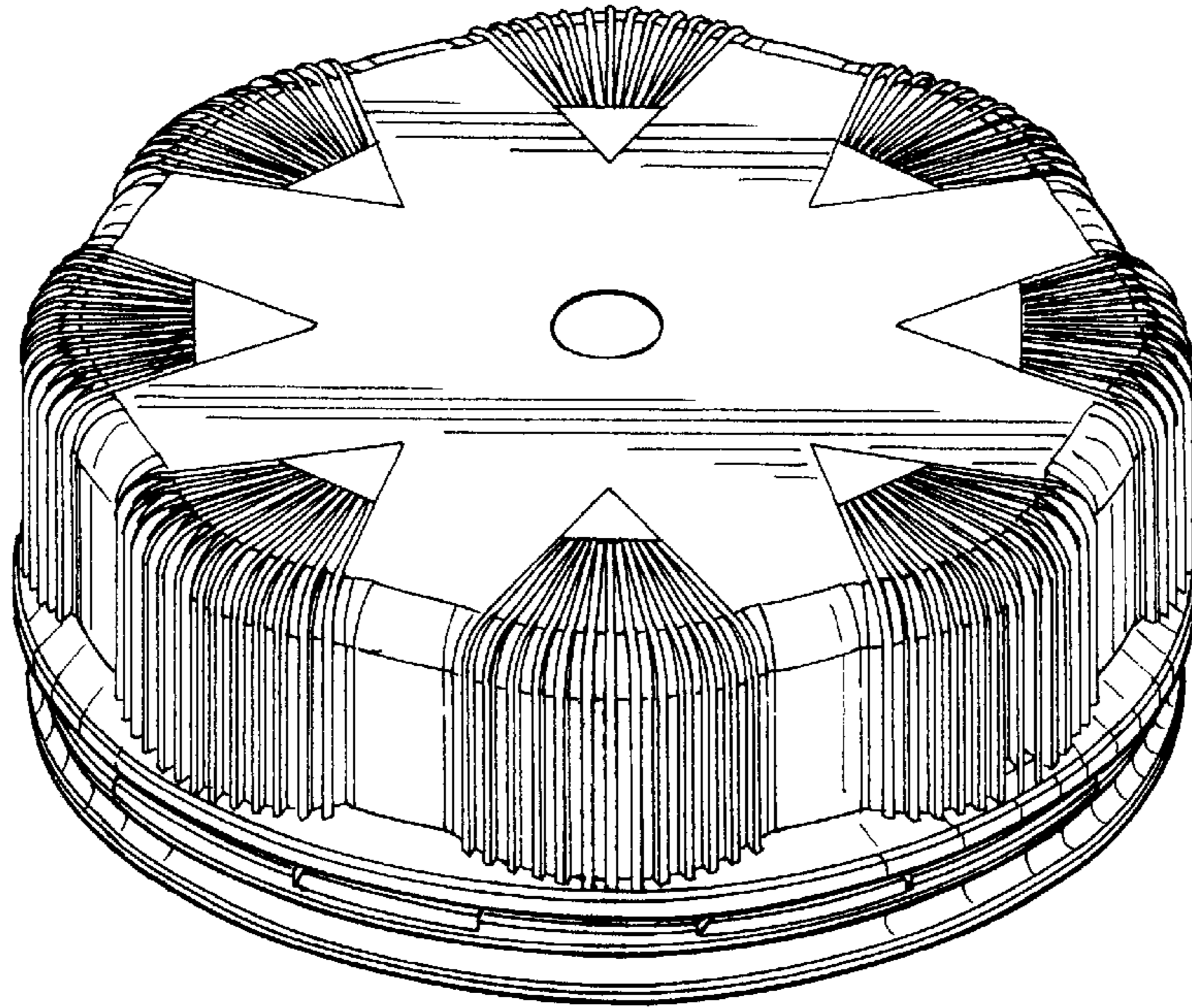


FIG. 2

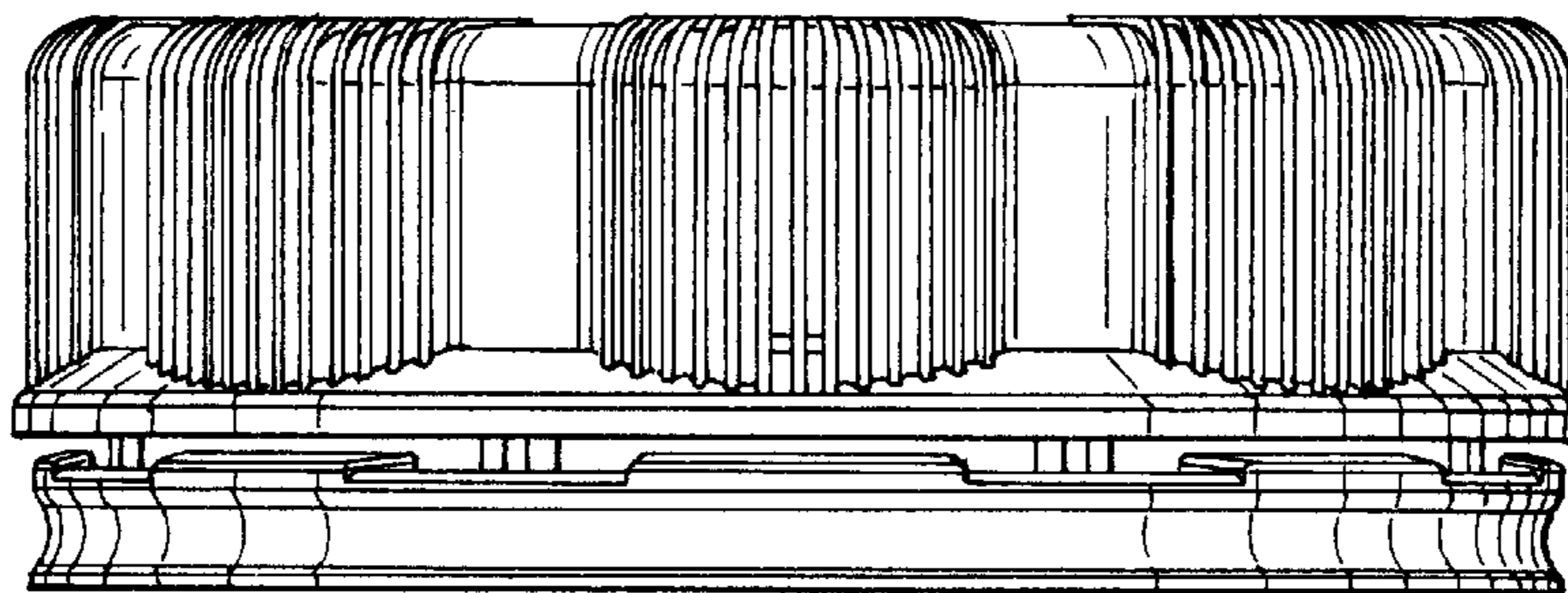


FIG.3

