



US00D542651S

(12) **United States Design Patent**
Ackerman

(10) **Patent No.:** **US D542,651 S**

(45) **Date of Patent:** **** May 15, 2007**

(54) **RIBBED SLIDER FOR RECLOSABLE BAGS**

(75) Inventor: **Bryan L. Ackerman**, Freeland, MI
(US)

(73) Assignee: **S.C. Johnson Home Storage, Inc.**,
Racine, WI (US)

(**) Term: **14 Years**

(21) Appl. No.: **29/231,039**

(22) Filed: **May 31, 2005**

Related U.S. Application Data

(63) Continuation-in-part of application No. 11/047,007, filed on
Jan. 31, 2005.

(51) **LOC (8) Cl.** **09-07**

(52) **U.S. Cl.** **D9/434**

(58) **Field of Classification Search** D9/435,
D9/434; D11/221; 24/433, 427-431, 421,
24/419, 415-417, 385, 381
See application file for complete search history.

(56) **References Cited**

U.S. PATENT DOCUMENTS

| | | | | | |
|-----------|----|-----------|------------------|-------|-------------|
| 2,495,176 | A | 1/1950 | Nissen | | 24/205.14 |
| 2,514,750 | A | 7/1950 | Dobbs et al. | | 150/3 |
| 3,343,235 | A | 9/1967 | Morin | | 24/205.15 |
| 3,719,973 | A | 3/1973 | Bell | | 24/205.15 H |
| 4,262,395 | A | 4/1981 | Kosky | | 24/201 |
| D324,355 | S | 3/1992 | Takemura | | D11/221 |
| 5,093,966 | A | 3/1992 | Yuki et al. | | 24/429 |
| D401,505 | S | * 11/1998 | Michael et al. | | D9/434 |
| 5,956,815 | A | 9/1999 | O'Connor et al. | | 24/30.5 R |
| D422,500 | S | * 4/2000 | Prevot | | D9/434 |
| D439,866 | S | 4/2001 | Savicki, Sr. | | D11/221 |
| 6,286,191 | B2 | 9/2001 | Van Erden | | 24/399 |
| 6,293,701 | B1 | 9/2001 | Tomic | | 383/64 |
| D451,378 | S | 12/2001 | Kinigakis et al. | | D9/305 |

| | | | | | |
|--------------|----|----------|------------------|-------|----------|
| 6,357,914 | B1 | 3/2002 | Kinigakis et al. | | 383/64 |
| 6,364,530 | B1 | 4/2002 | Buchman | | 383/64 |
| 6,409,384 | B1 | 6/2002 | Provan et al. | | 383/5 |
| 6,450,686 | B1 | 9/2002 | May | | 383/64 |
| D466,034 | S | 11/2002 | McGuyer | | D10/46.2 |
| 6,575,625 | B2 | 6/2003 | Cappel et al. | | 383/5 |
| D478,839 | S | 8/2003 | Yoneoka et al. | | D11/221 |
| D479,467 | S | * 9/2003 | Buchman | | D9/434 |
| D482,987 | S | 12/2003 | Ritter | | D11/221 |
| 2003/0202718 | A1 | 10/2003 | Tomic | | 383/64 |
| 2005/0115033 | A1 | * 6/2005 | Blythe | | 24/415 |

* cited by examiner

Primary Examiner—Robert M. Spear

Assistant Examiner—Susan Bennett Hattan

(74) *Attorney, Agent, or Firm*—McCracken & Frank LLP

(57) **CLAIM**

The ornamental design for a ribbed slider for reclosable bags, as shown and described.

DESCRIPTION

FIG. 1 is an isometric view of a top, front, and left side of an ornamental design for a ribbed slider for reclosable bags according to the present invention;

FIG. 2 is an isometric view of a top, back, and right side of the slider of FIG. 1;

FIG. 3 is a left side elevational view of the slider of FIG. 1;

FIG. 4 is a front elevational view of the slider of FIG. 1;

FIG. 5 is a rear elevational view of the slider of FIG. 1;

FIG. 6 is a plan view of the slider of FIG. 1;

FIG. 7 is a bottom elevational view of the slider of FIG. 1; and,

FIG. 8 is an isometric view illustrating in phantom a reclosable bag on which the slider of the present invention may be disposed.

Structures shown in phantom form no part of the claimed design.

1 Claim, 4 Drawing Sheets

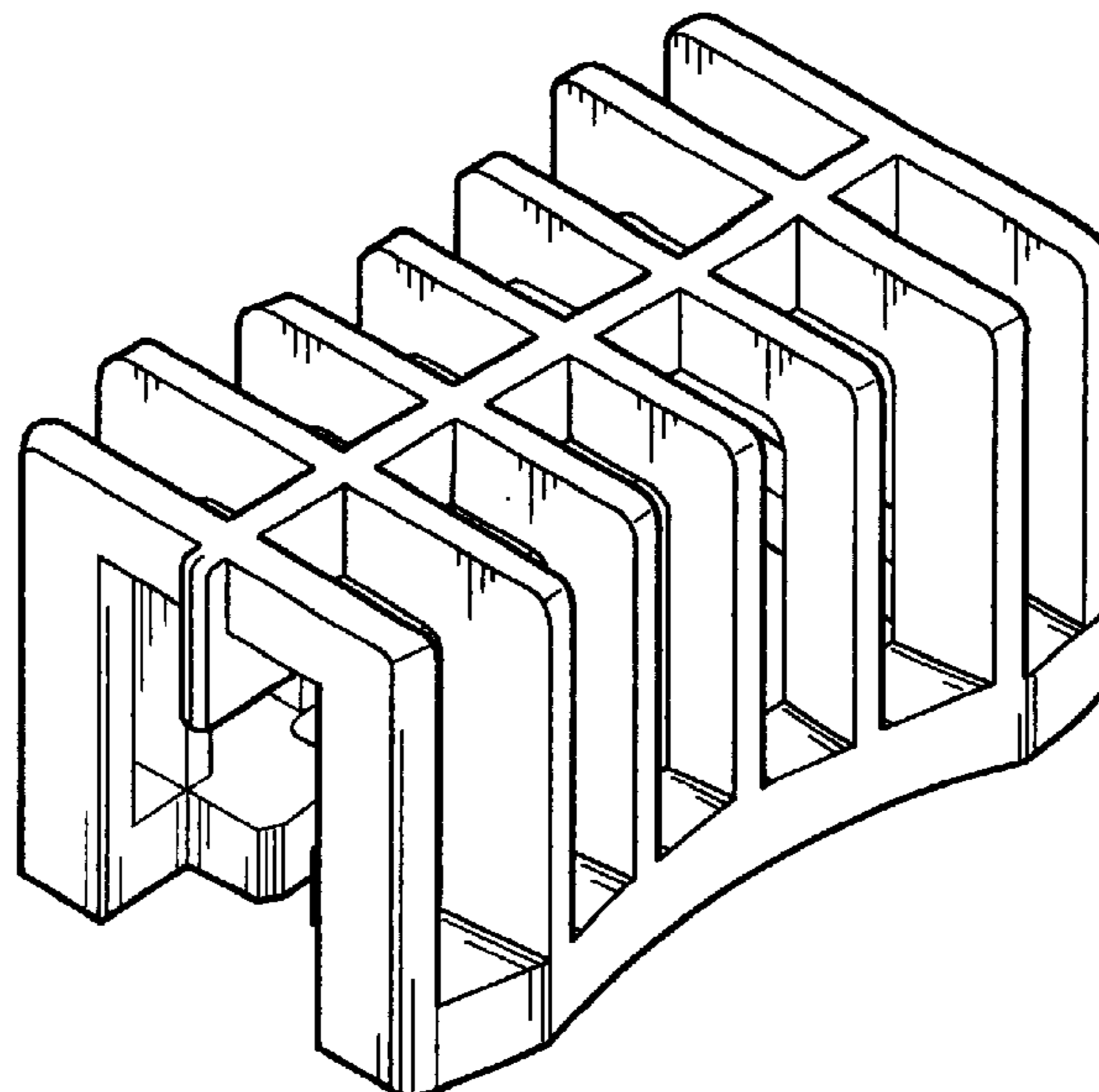


FIG. 1

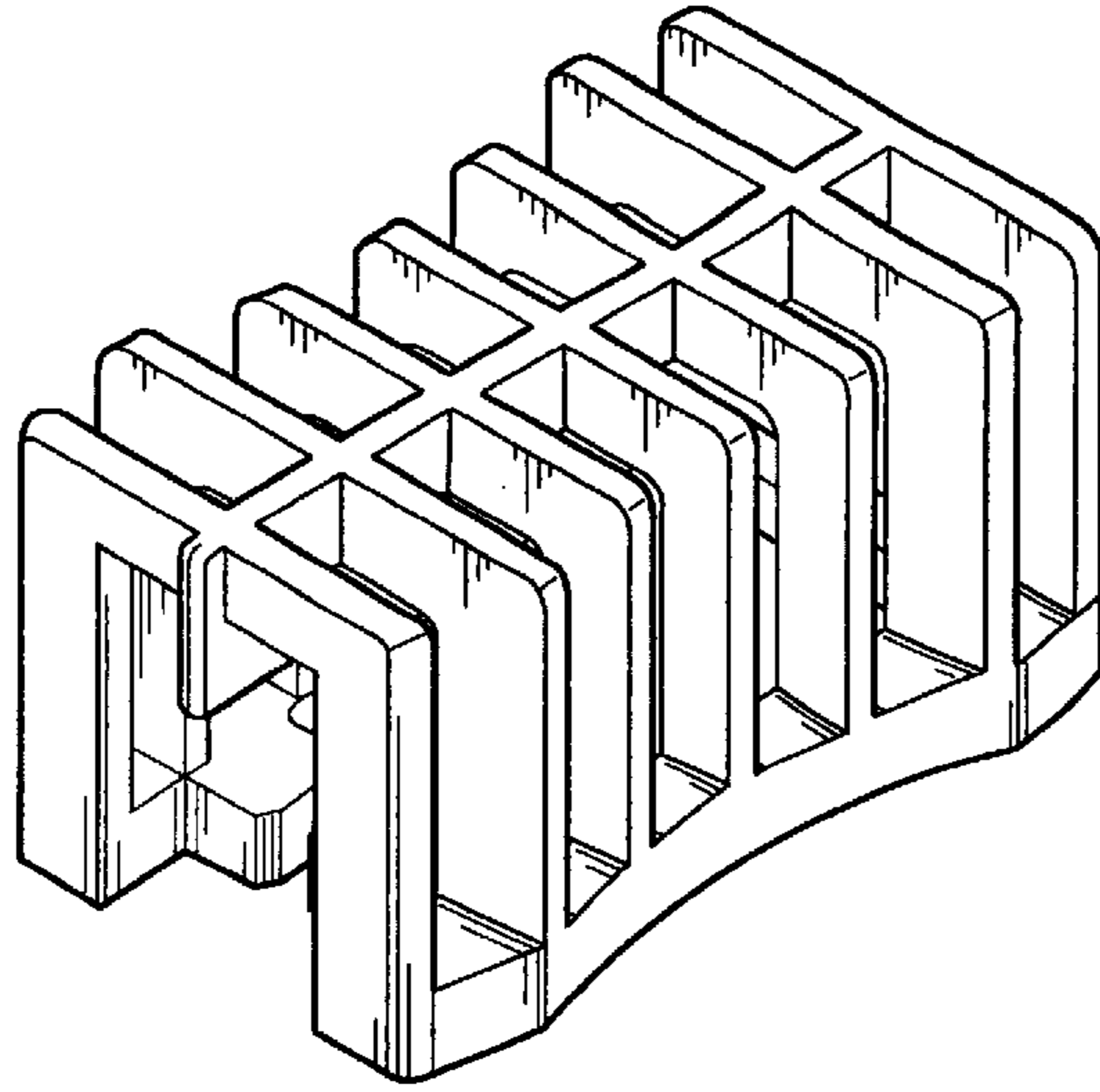


FIG. 2

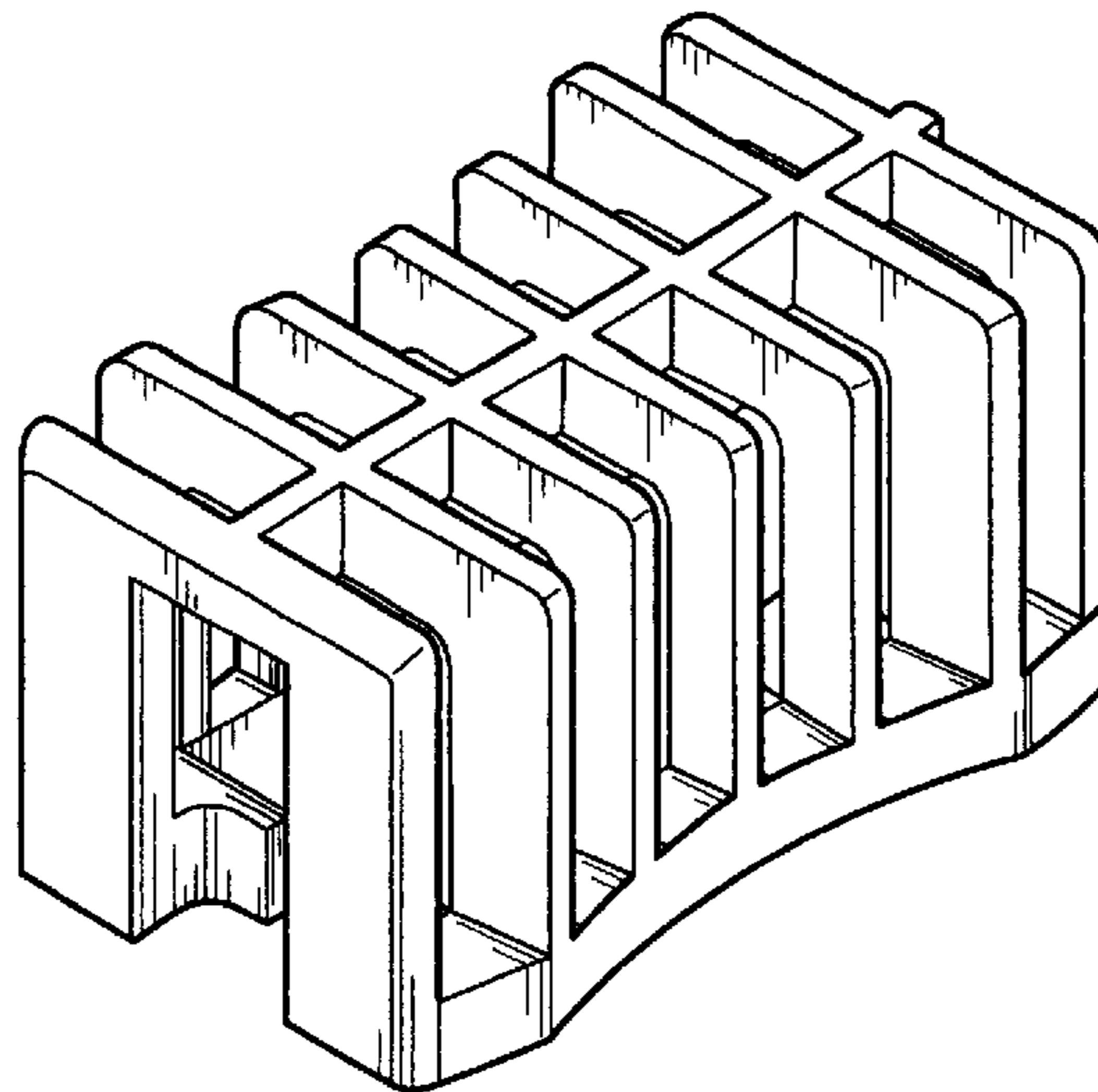


FIG. 3

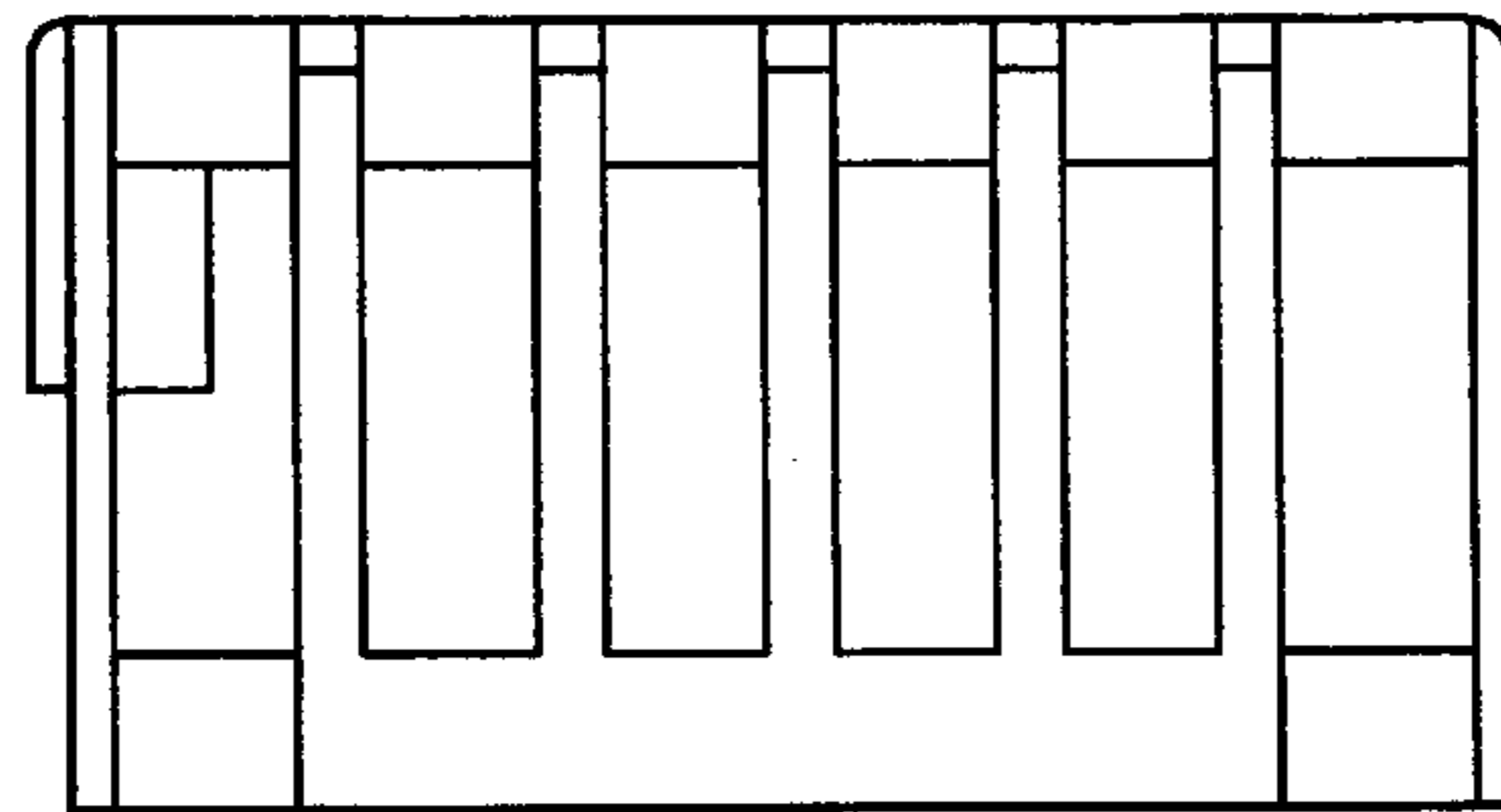


FIG. 4

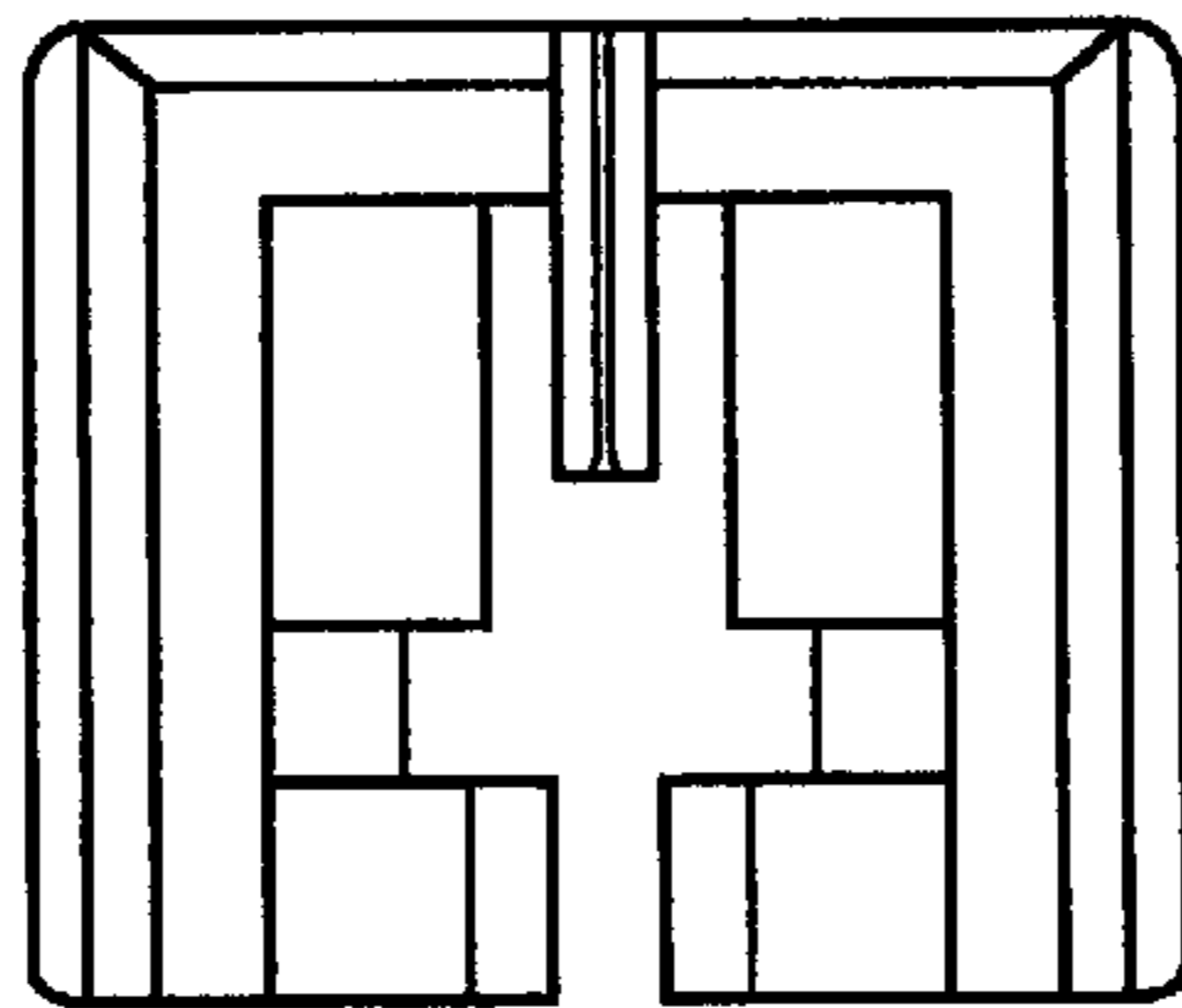


FIG. 5

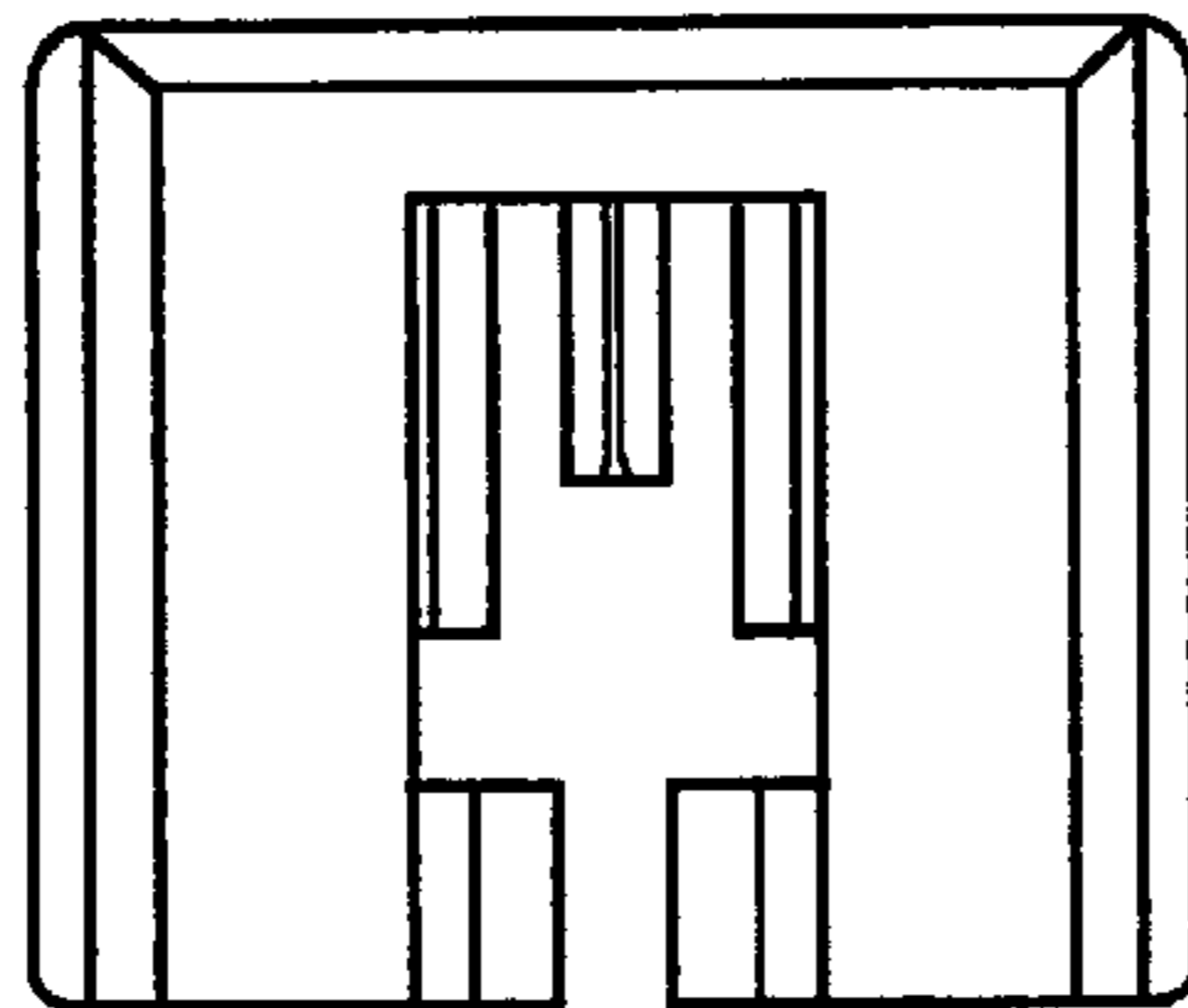


FIG. 6

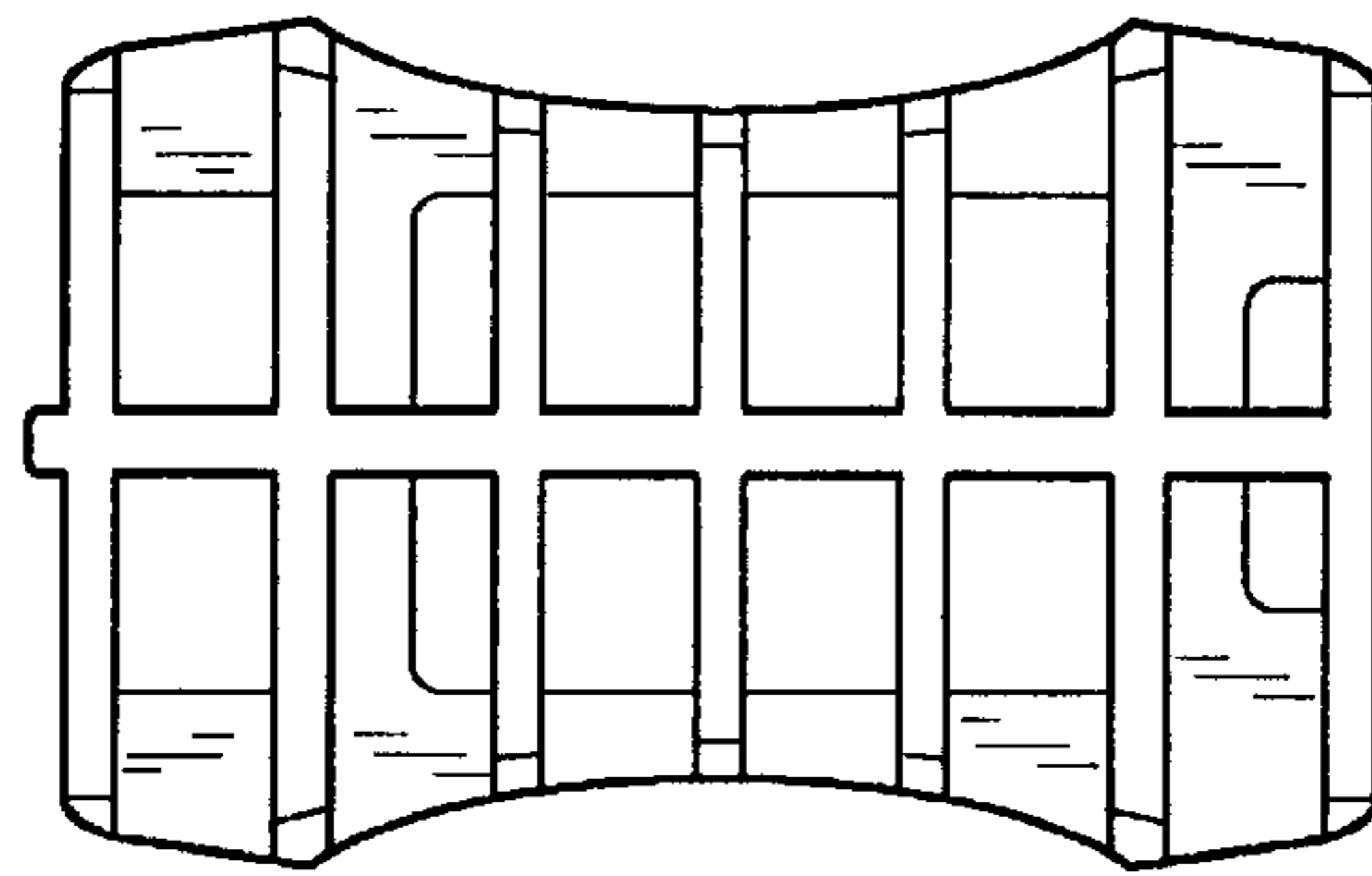


FIG. 7

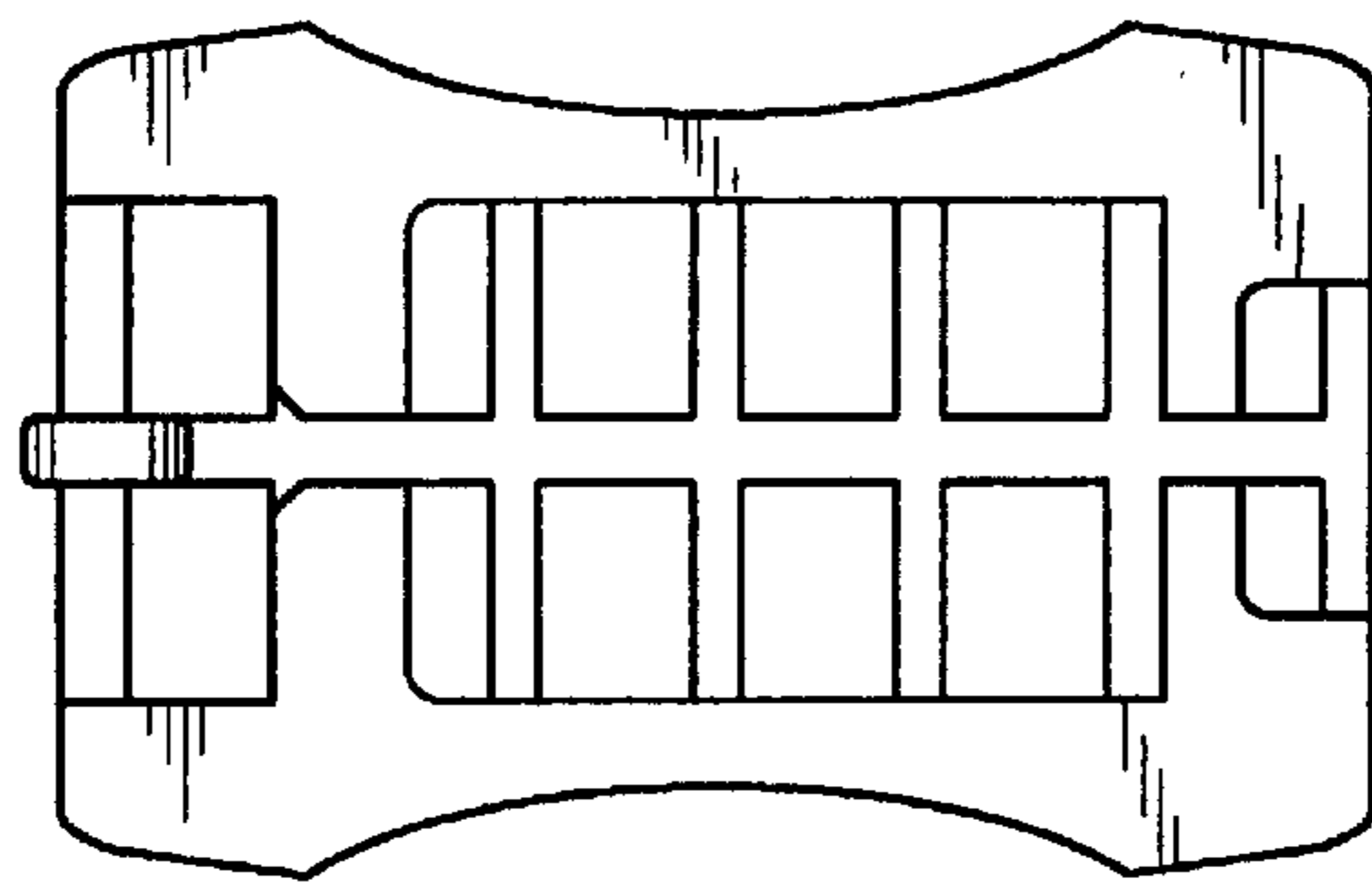


FIG. 8

