



US00D542648S

(12) **United States Design Patent**
Gagné

(10) **Patent No.:** **US D542,648 S**

(45) **Date of Patent:** **** May 15, 2007**

(54) **CONTAINER FOR STORING AND DISPENSING FILMS**

(75) Inventor: **Jocelyn Gagné**, Varennes (CA)

(73) Assignee: **Bioenvelop Agro Inc.**, Laval, Quebec (CA)

(**) Term: **14 Years**

(21) Appl. No.: **29/236,536**

(22) Filed: **Aug. 18, 2005**

(51) **LOC (8) Cl.** **09-03**

(52) **U.S. Cl.** **D9/423**

(58) **Field of Classification Search** D9/414,
D9/417, 420-435, 440, 447, 499, 760-770,
D9/756; 206/37, 494, 527, 499-502, 457;
220/620, 656, 659, 669, 765, 890; 229/400-404,
229/939, 915, 116.5, 201, 100, 123-126,
229/188

See application file for complete search history.

(56) **References Cited**

U.S. PATENT DOCUMENTS

| | | | | | | |
|-----------|---|---|---------|---------------|-------|----------|
| 1,451,279 | A | * | 4/1923 | Strietelmeier | | 206/39.5 |
| 3,286,823 | A | * | 11/1966 | Gillespie | | 206/39.5 |
| 3,586,394 | A | * | 6/1971 | Hecksel | | 384/23 |
| D371,723 | S | | 7/1996 | Hirao | | |
| D422,460 | S | | 4/2000 | Haner et al. | | |
| D423,301 | S | | 4/2000 | Haner et al. | | |

| | | | | | | |
|--------------|----|---|--------|----------------|-------|---------|
| D423,302 | S | | 4/2000 | Haner et al. | | |
| 6,796,429 | B2 | * | 9/2004 | Cameron et al. | | 206/440 |
| D501,367 | S | | 2/2005 | Blanchette | | |
| 2003/0106900 | A1 | * | 6/2003 | Storz | | 221/259 |

* cited by examiner

Primary Examiner—Stella Reid

Assistant Examiner—Thomas Johannes

(74) *Attorney, Agent, or Firm*—Kathleen E. Marsman;
Borden Ladner Gervais LLP

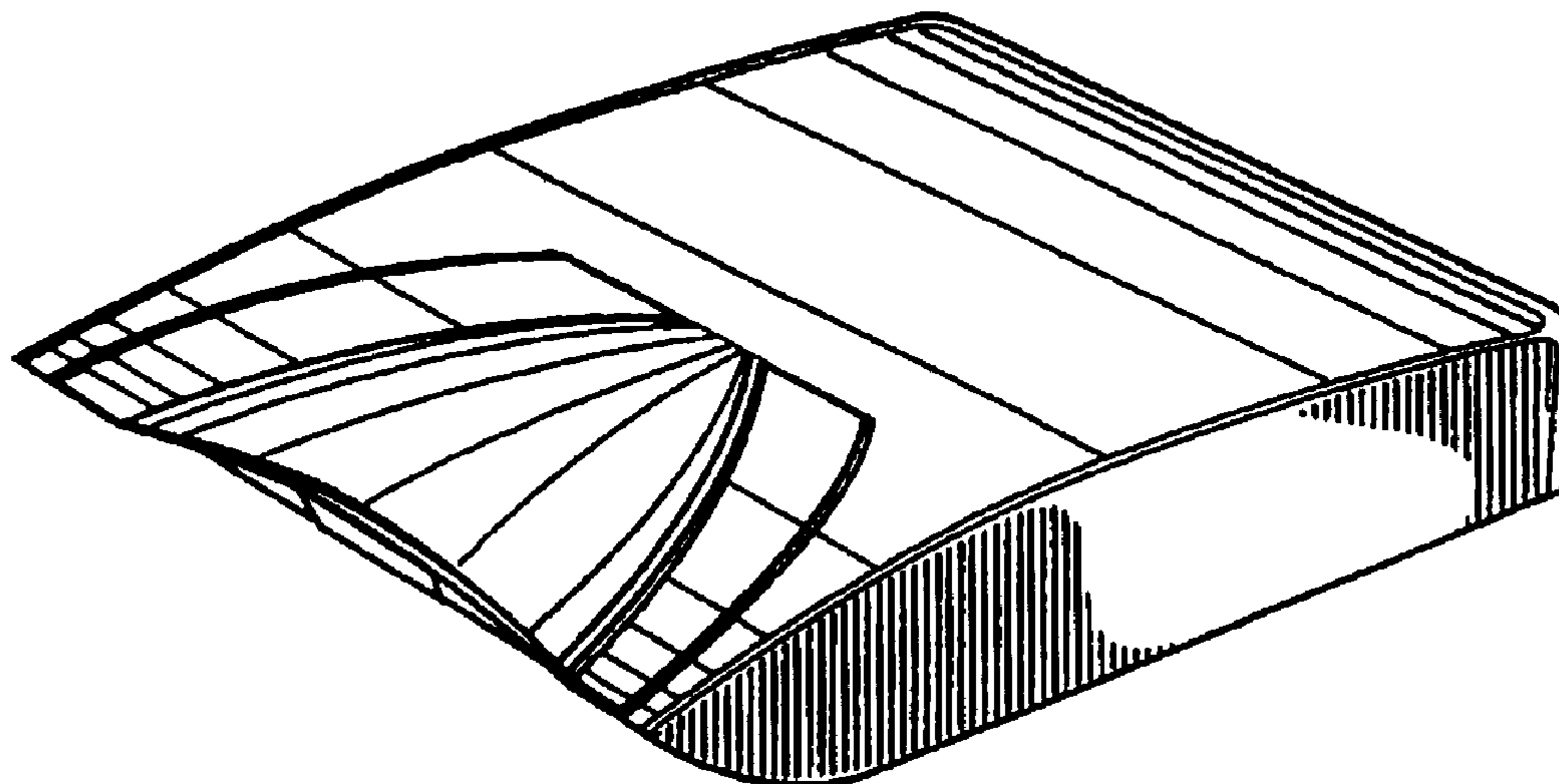
(57) **CLAIM**

I claim the ornamental design for container for storing and dispensing films, as shown and described.

DESCRIPTION

FIG. 1 is a perspective view of a container for storing and dispensing films, showing my new design;
 FIG. 2 is a top view of the container for storing and dispensing films of FIG. 1;
 FIG. 3 is a bottom view of the container for storing and dispensing films of FIG. 1;
 FIG. 4 is a right side view of the container for storing and dispensing films of FIG. 1, the left side view being a mirror image thereof;
 FIG. 5 is a front view of the container for storing and dispensing films of FIG. 1; and,
 FIG. 6 is a back view of the container for storing and dispensing films of FIG. 1.

1 Claim, 1 Drawing Sheet



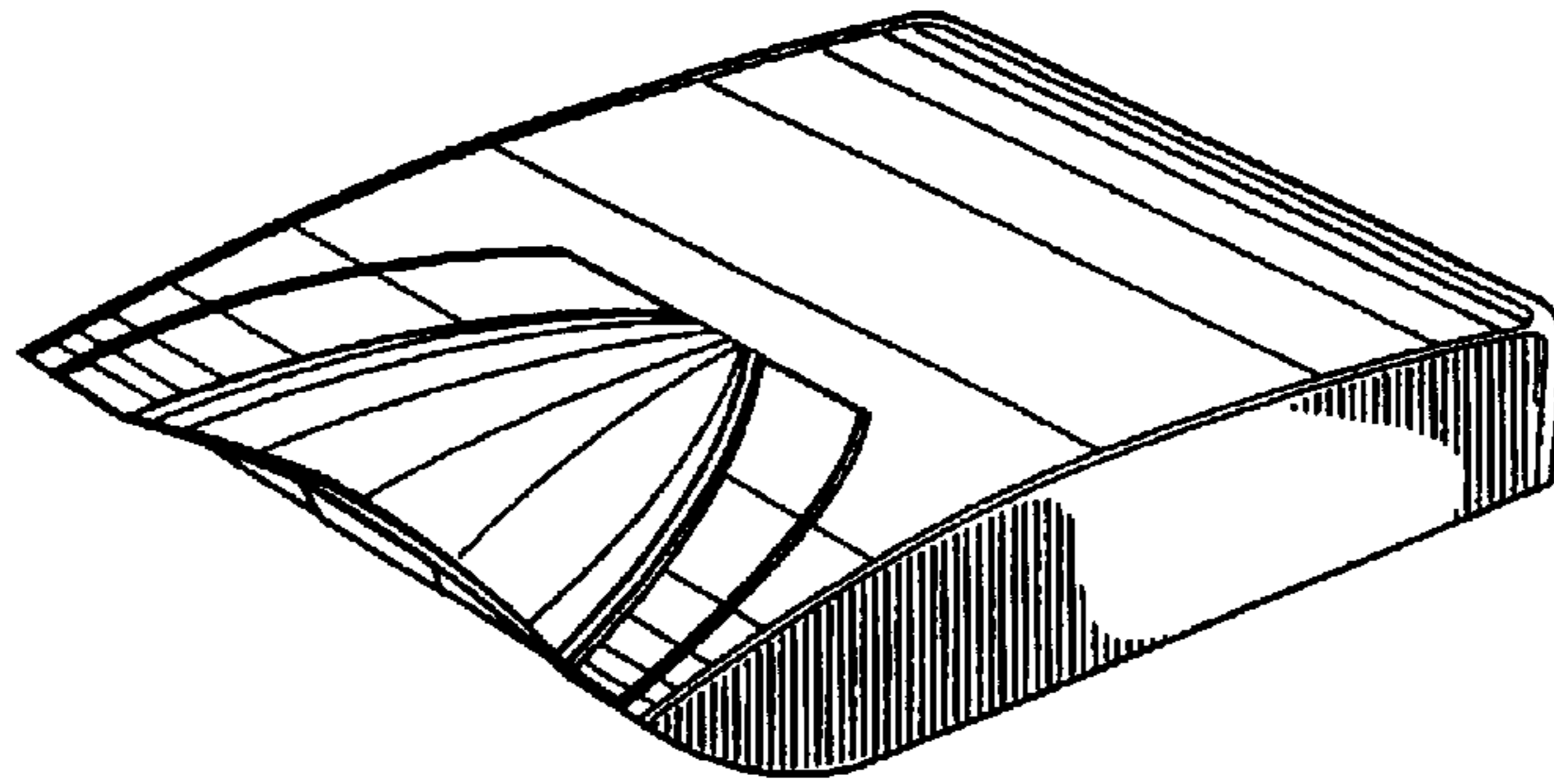


FIG. 1

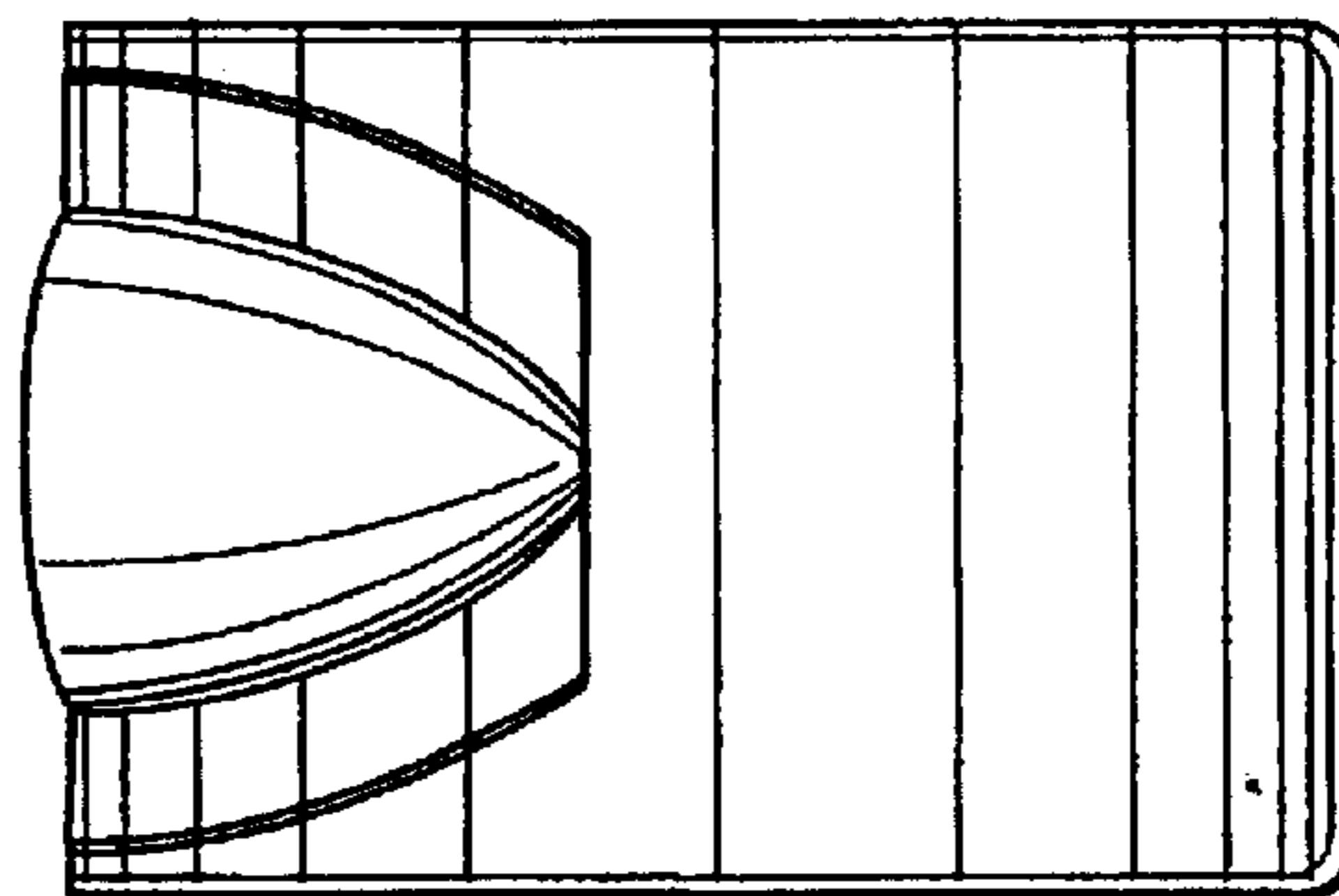


FIG. 2

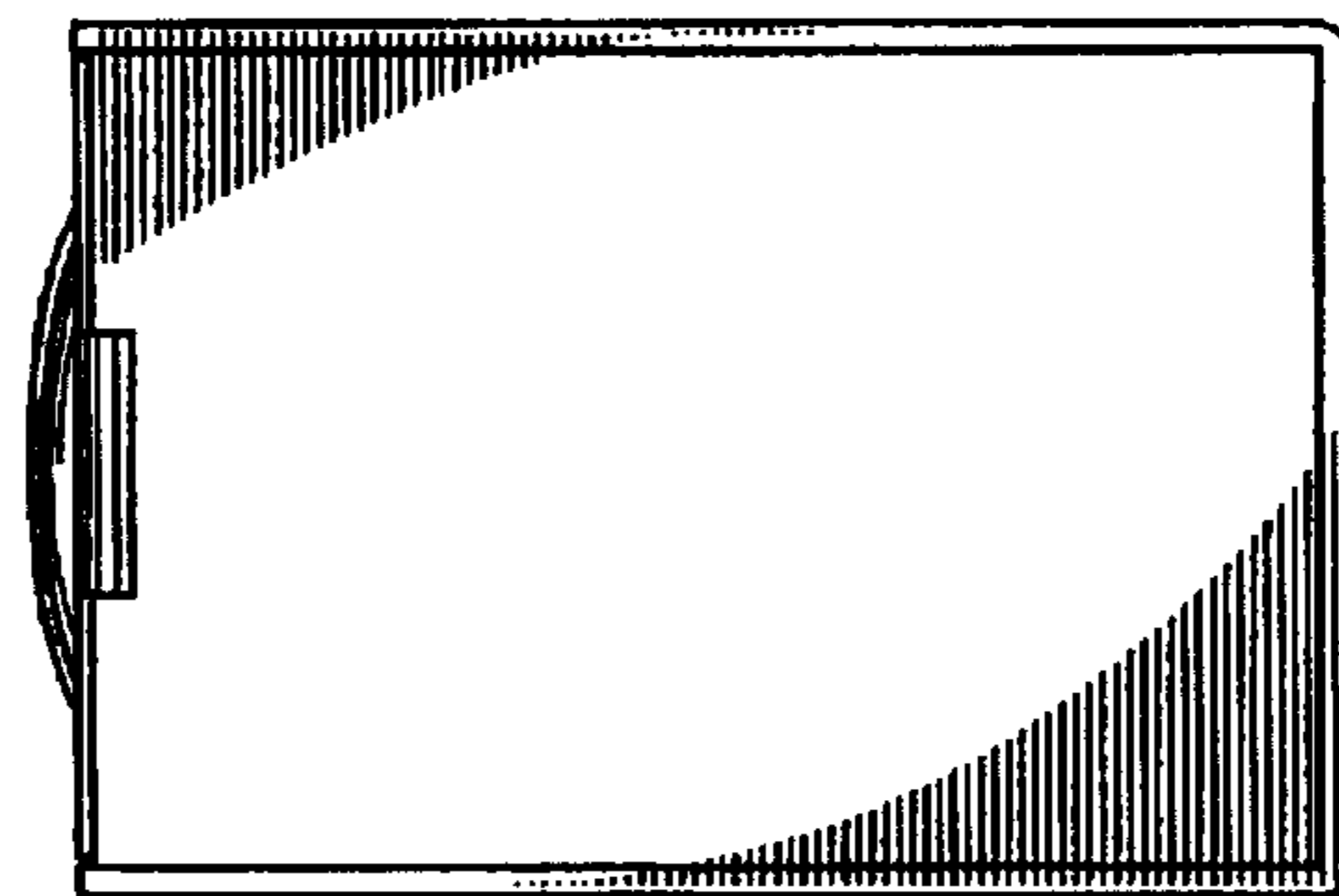


FIG. 3



FIG. 4

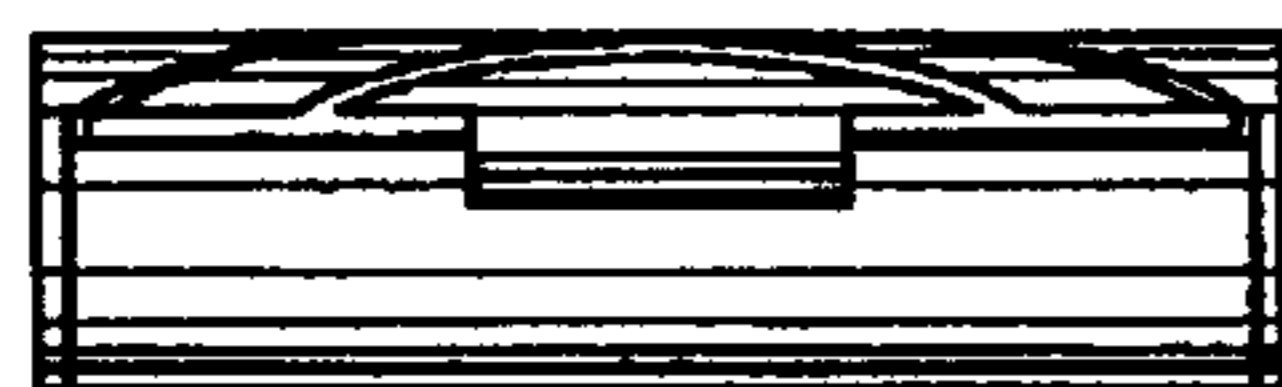


FIG. 5

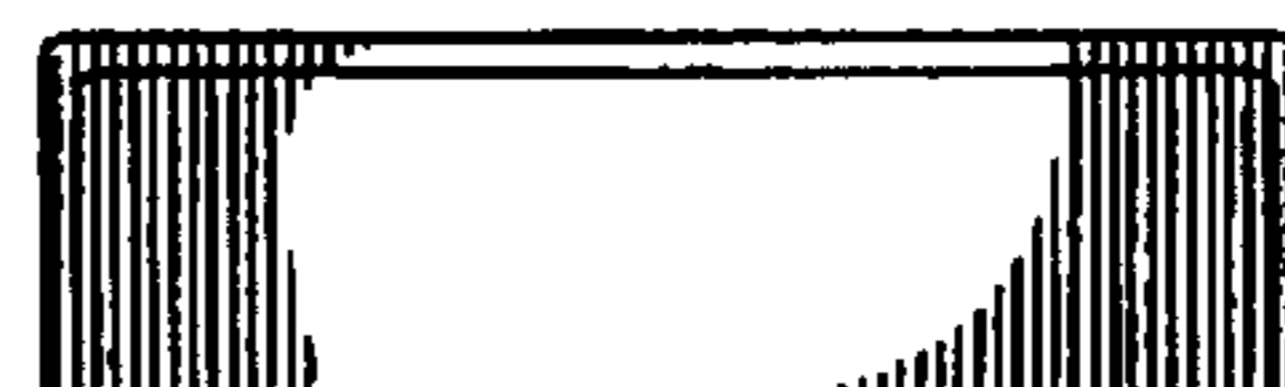


FIG. 6