

US00D542647S

(12) **United States Design Patent**
Walter

(10) **Patent No.:** **US D542,647 S**
(45) **Date of Patent:** **** May 15, 2007**

(54) **SHOEBOX**

(75) Inventor: **Kurtis Walter**, Berryton, KS (US)

(73) Assignee: **Payless ShoeSource Worldwide, Inc.**,
Topeka, KS (US)

(**) Term: **14 Years**

(21) Appl. No.: **29/236,763**

(22) Filed: **Aug. 22, 2005**

(51) **LOC (8) Cl.** **09-03**

(52) **U.S. Cl.** **D9/414**

(58) **Field of Classification Search** D9/341,
D9/414-433, 499, 744, 760, 901, 902; D3/210,
D3/219, 263, 264, 203.1-203.2, 207, 212,
D3/273, 294; D28/78-83

See application file for complete search history.

(56) **References Cited**

U.S. PATENT DOCUMENTS

2,446,366	A *	8/1948	Epps	206/749
D244,658	S *	6/1977	Turner	D18/12
D245,742	S *	9/1977	Sullivan	D18/12
5,106,047	A *	4/1992	Baer	248/459
D429,085	S *	8/2000	Welty et al.	D6/397
6,305,533	B1 *	10/2001	Welty et al.	206/278
6,951,277	B1 *	10/2005	Meynard	206/278
2005/0258224	A1 *	11/2005	Meynard	229/120.13

* cited by examiner

Primary Examiner—Stella Reid

Assistant Examiner—Thomas Johannes

(74) *Attorney, Agent, or Firm*—Lathrop & Gage LC

(57) **CLAIM**

The ornamental design for a shoebox, as shown and described.

DESCRIPTION

FIG. 1 is a perspective view of a shoebox, showing the new design, in closed condition;

FIG. 2 is the top view of the shoebox of FIG. 1;

FIG. 3 is the bottom view of the shoebox of FIG. 1;

FIG. 4 is a left side view of the shoebox of FIG. 1, the opposite side being a mirror image thereof;

FIG. 5 is a front view of the shoebox of FIG. 1; and

FIG. 6 is a rear view of the shoebox of FIG. 1.

FIG. 7 is a perspective view of a shoebox, showing the new design, with the top in an open condition and nested within the lower portion;

FIG. 8 is the top view of the shoebox of FIG. 7;

FIG. 9 is the bottom view of the shoebox of FIG. 7;

FIG. 10 is a left side view of the shoebox of FIG. 7, the opposite side being a mirror image thereof;

FIG. 11 is a front view of the shoebox of FIG. 7; and

FIG. 12 is FIG. 6 is a rear view of the shoebox of FIG. 7.

FIG. 13 is a perspective view of a shoebox, showing the new design with the top in an open condition and reverse-nested within the lower portion;

FIG. 14 is the top view of the shoebox of FIG. 13;

FIG. 15 is the bottom view of the shoebox of FIG. 13;

FIG. 16 is a left side view of the shoebox of FIG. 13, the opposite side being a mirror image thereof;

FIG. 17 is a front view of the shoebox of FIG. 13; and

FIG. 18 is FIG. 6 is a rear view of the shoebox of FIG. 13.

FIG. 19 is a perspective view of a shoebox, showing the new design with the top standing-on-end and reverse-nested within the lower portion;

FIG. 20 is the top view of the shoebox of FIG. 19;

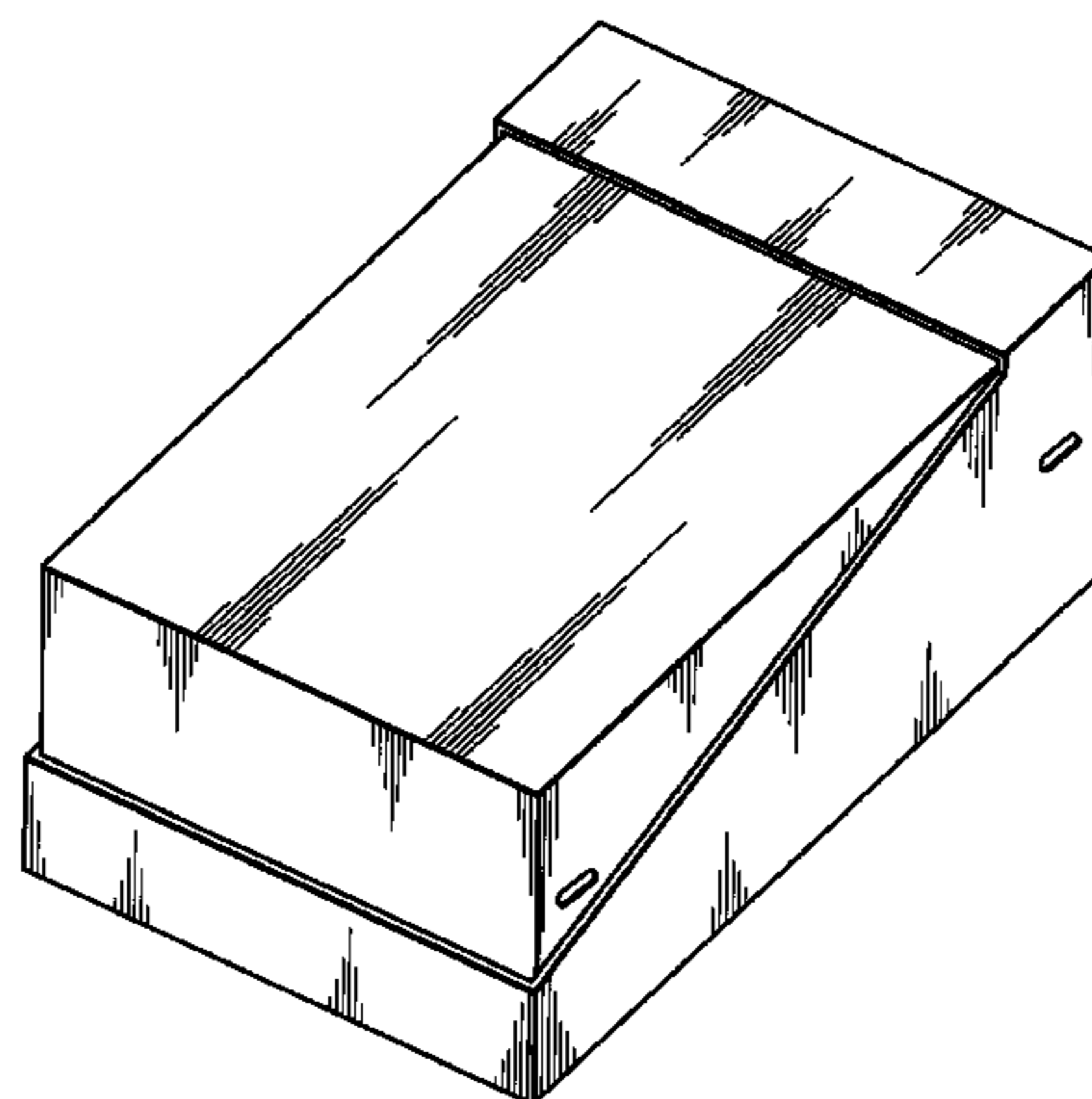
FIG. 21 is the bottom view of the shoebox of FIG. 19;

FIG. 22 is a left side view of the shoebox of FIG. 19, the opposite side being a mirror image thereof;

FIG. 23 is a front view of the shoebox of FIG. 19; and,

FIG. 24 is FIG. 6 is a rear view of the shoebox of FIG. 19.

1 Claim, 13 Drawing Sheets



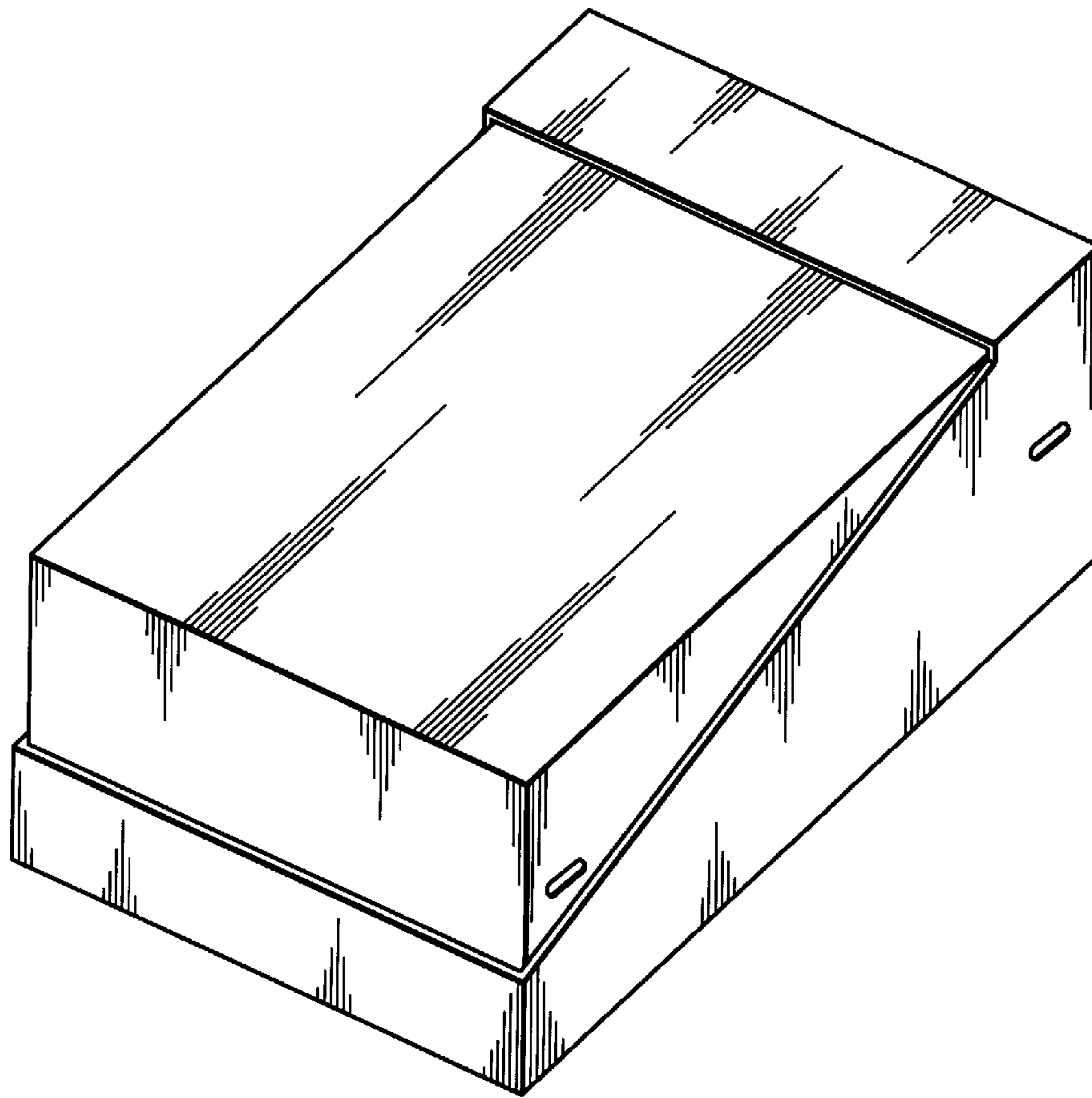


FIG. 1

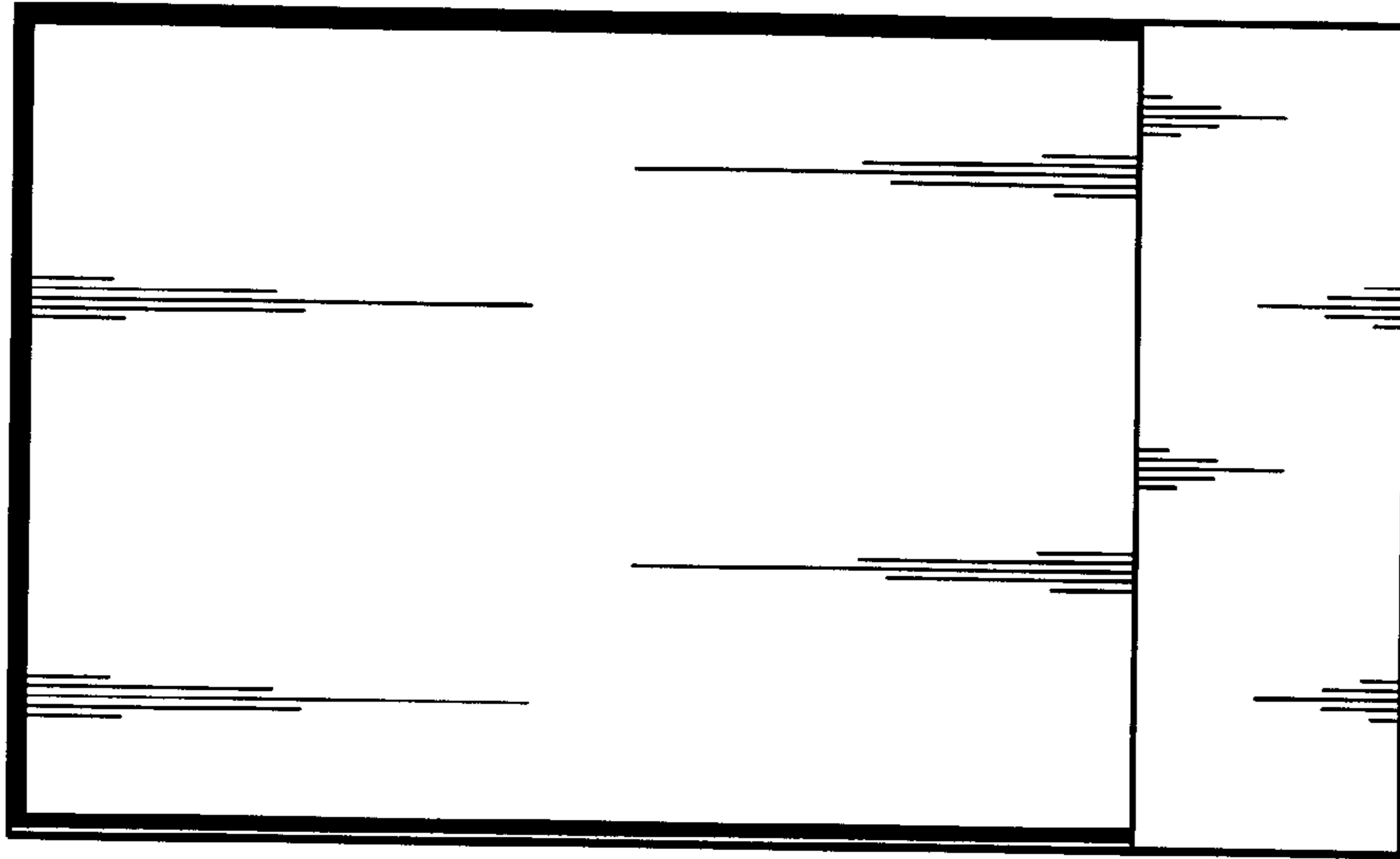


FIG. 2

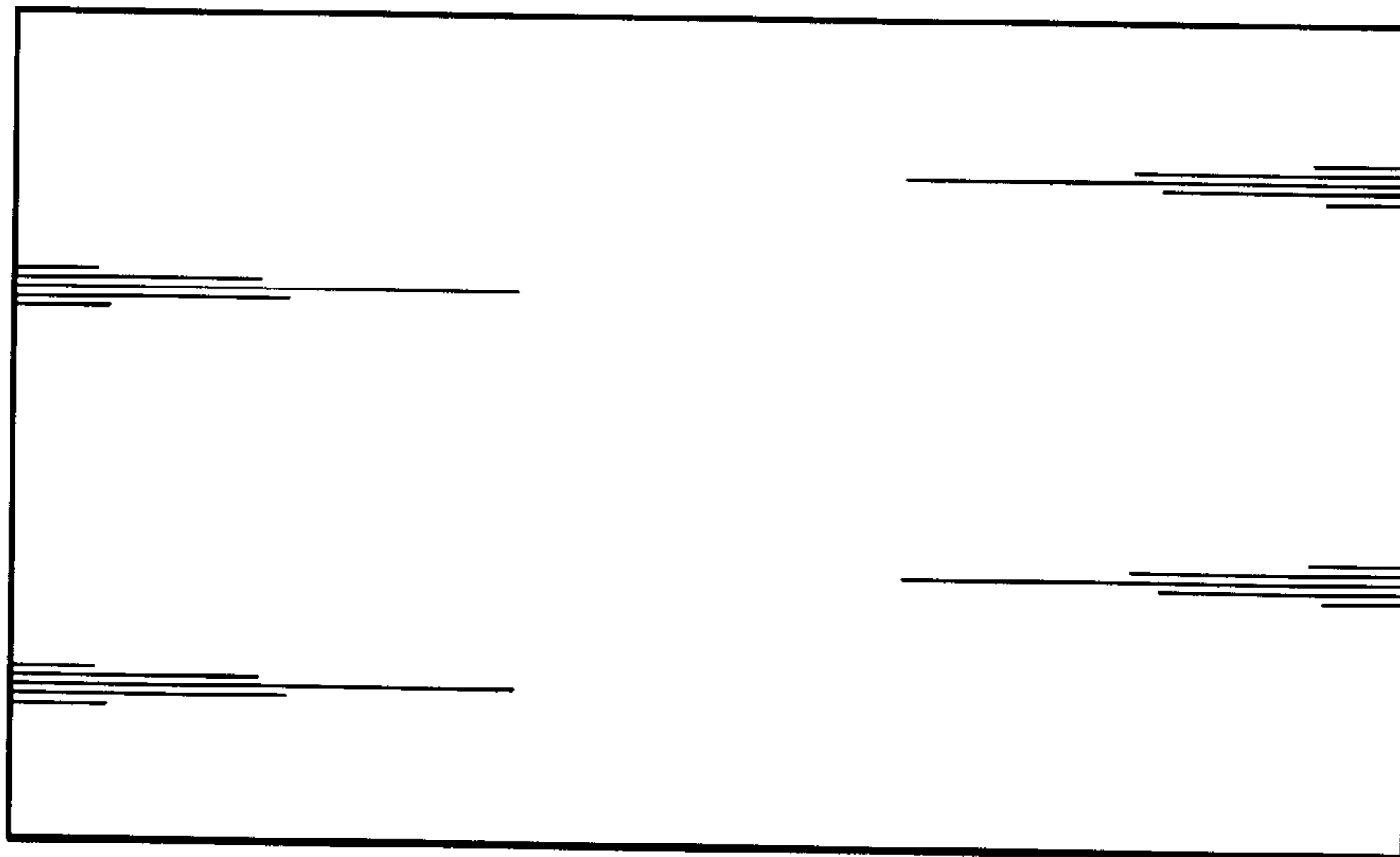


FIG. 3

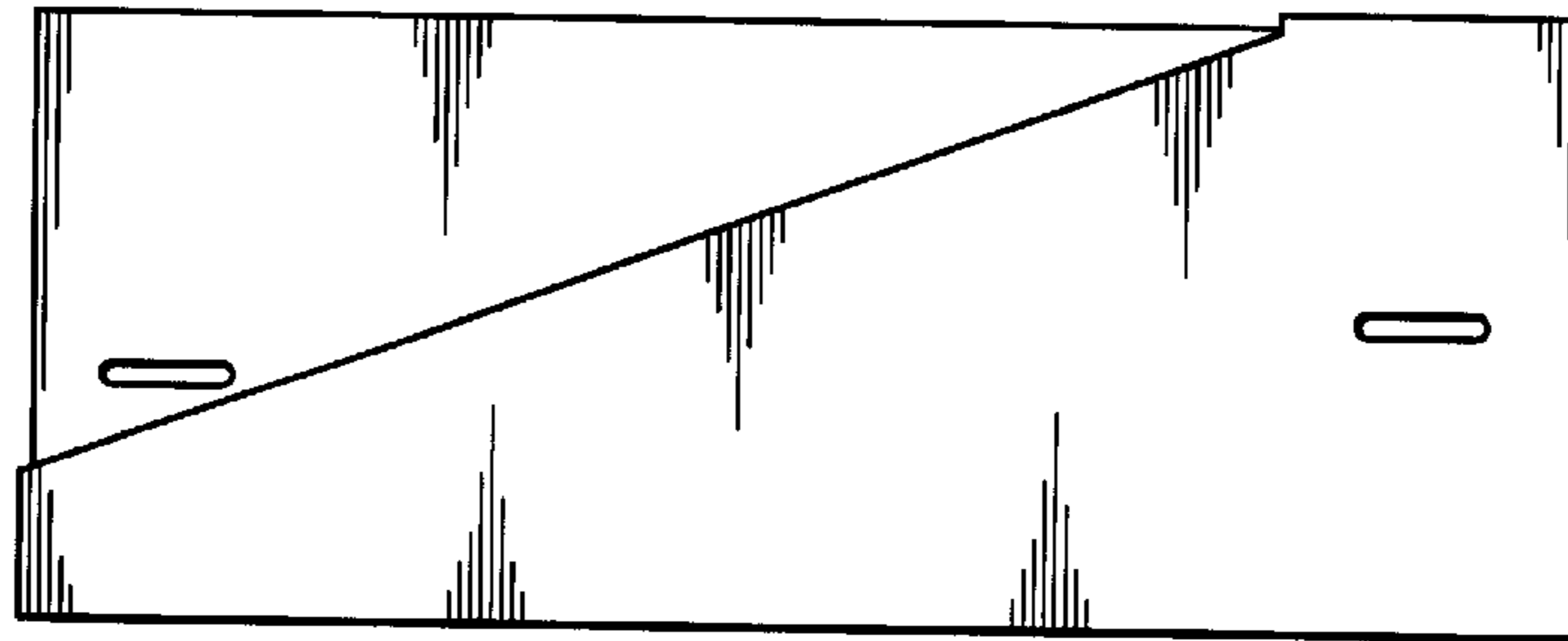


FIG. 4

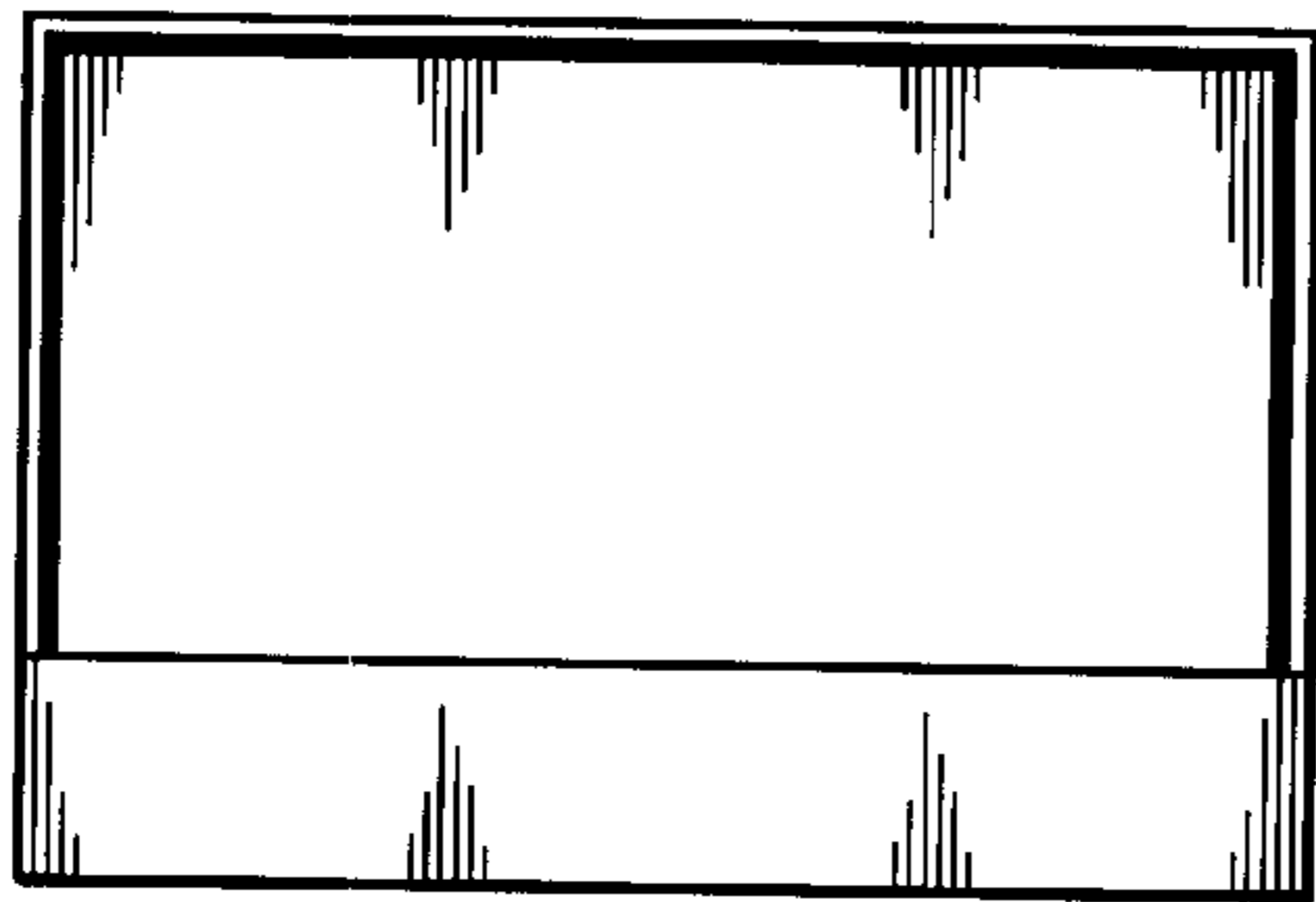


FIG. 5

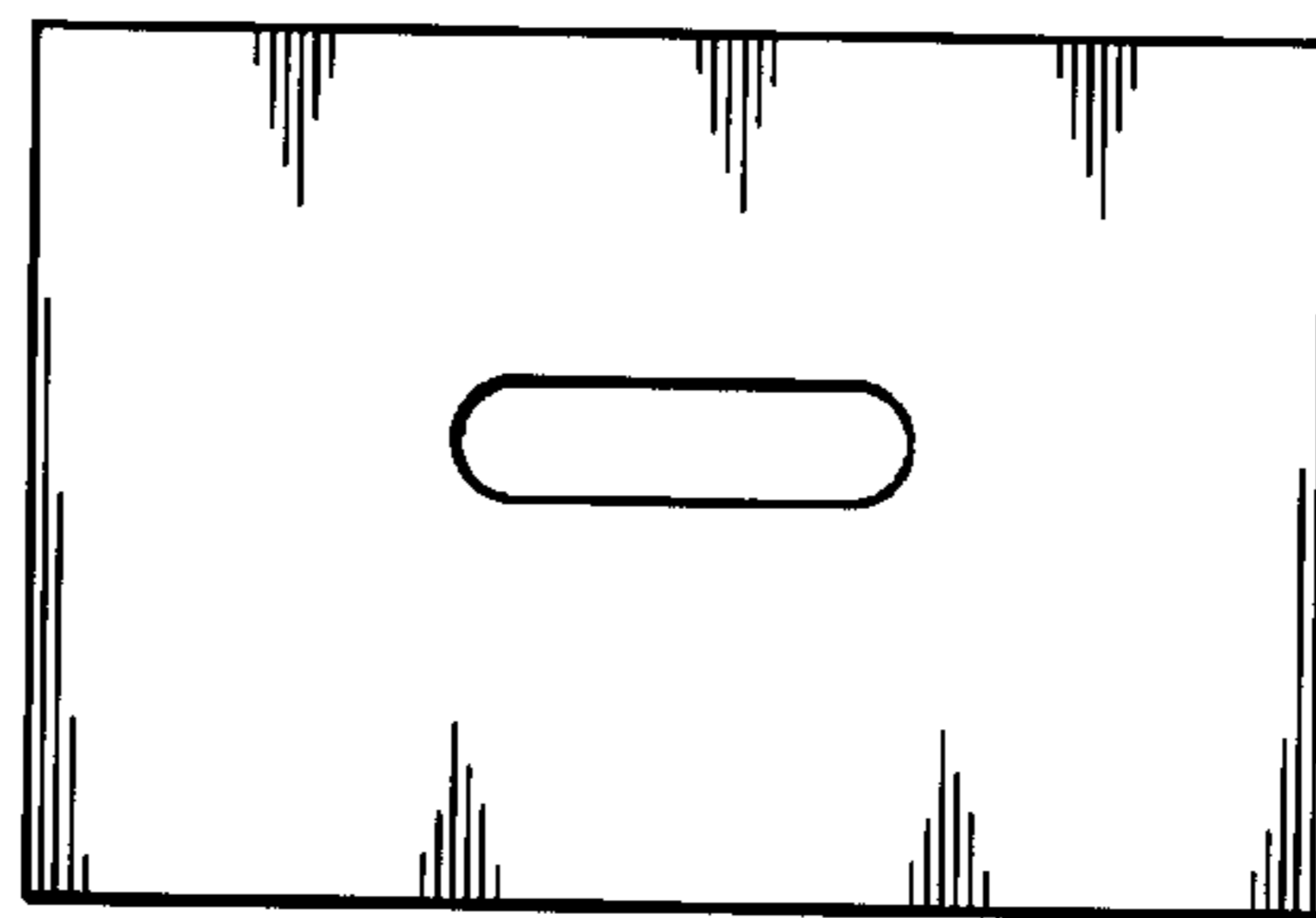


FIG. 6

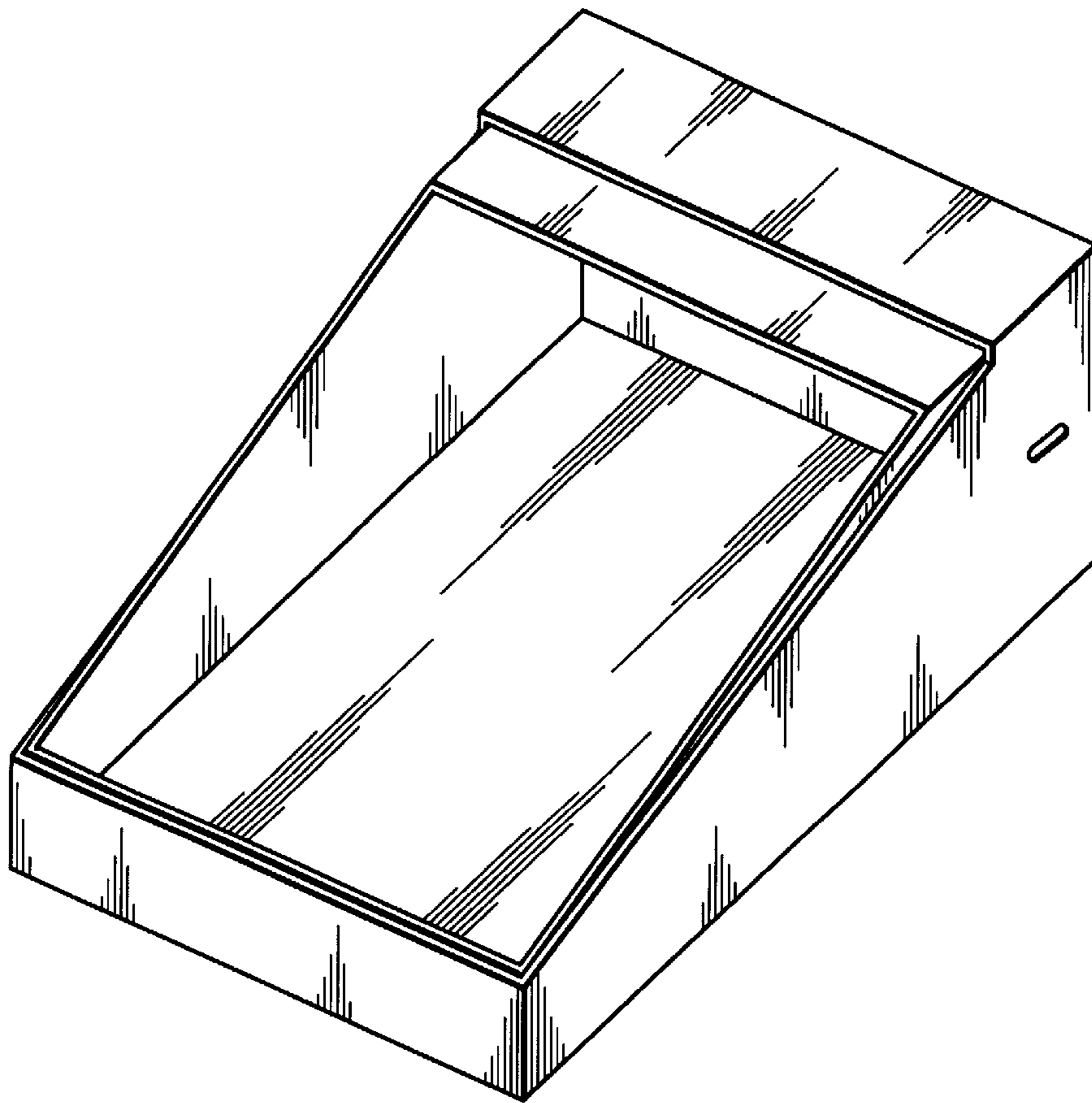


FIG. 7

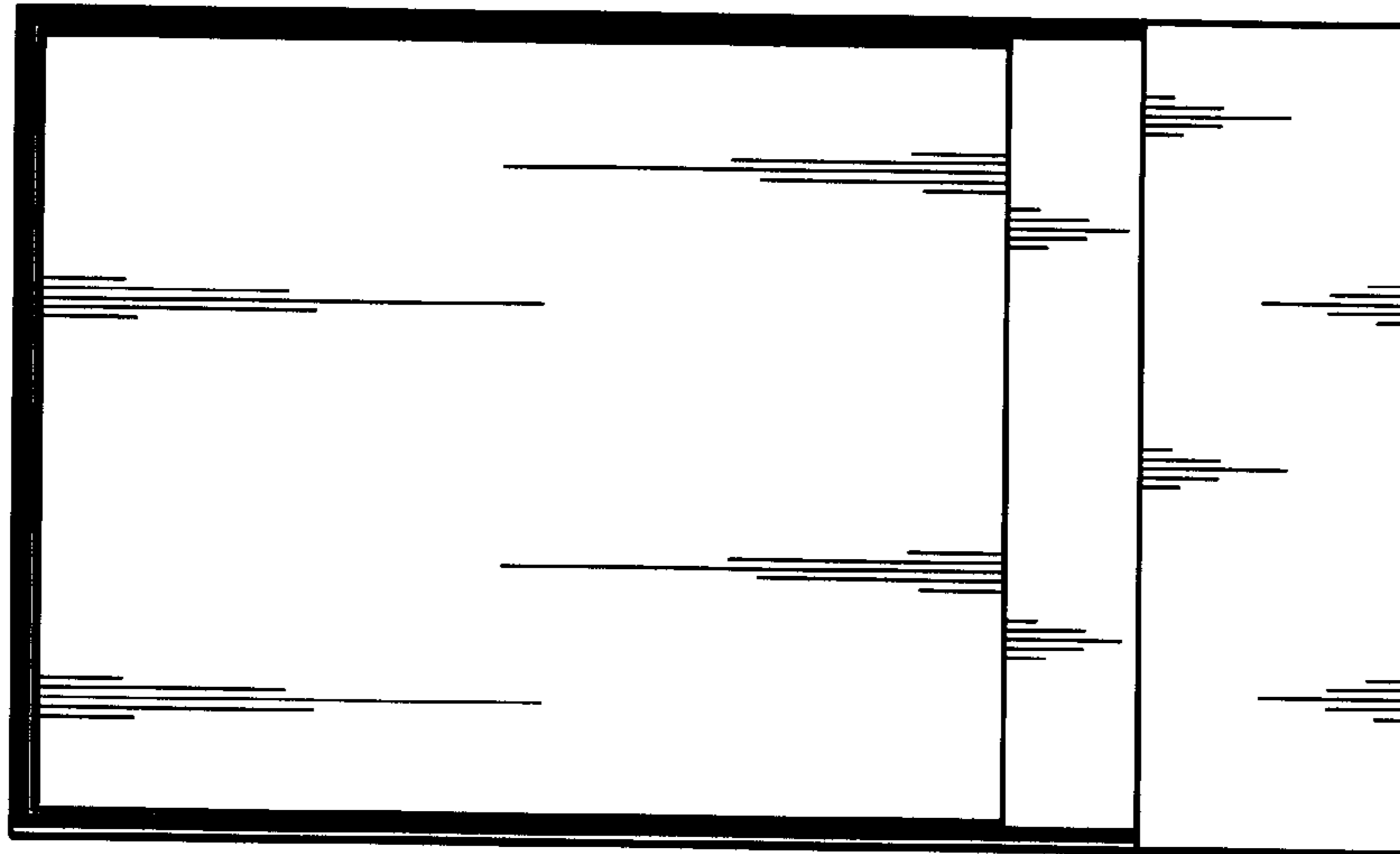


FIG. 8

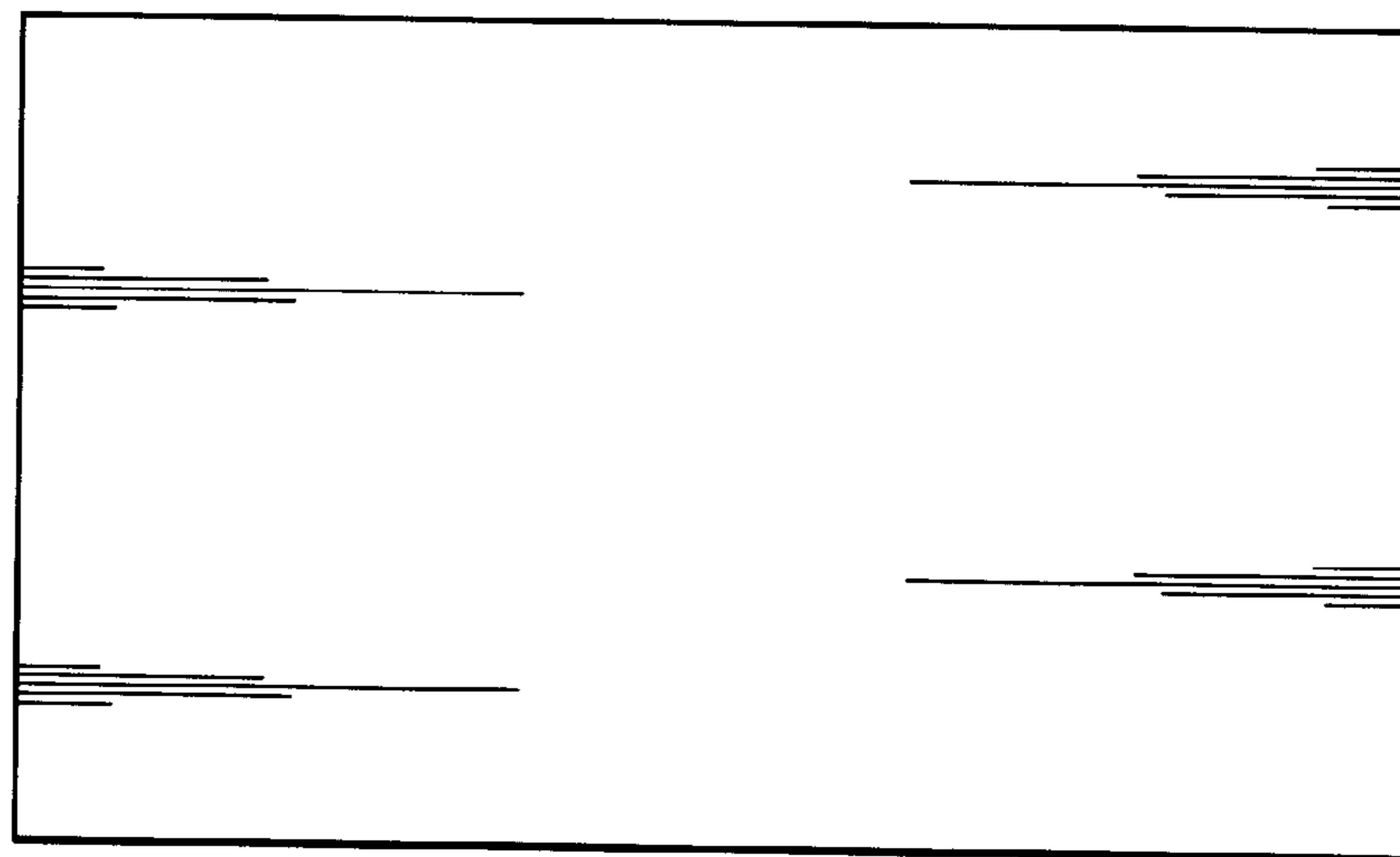


FIG. 9

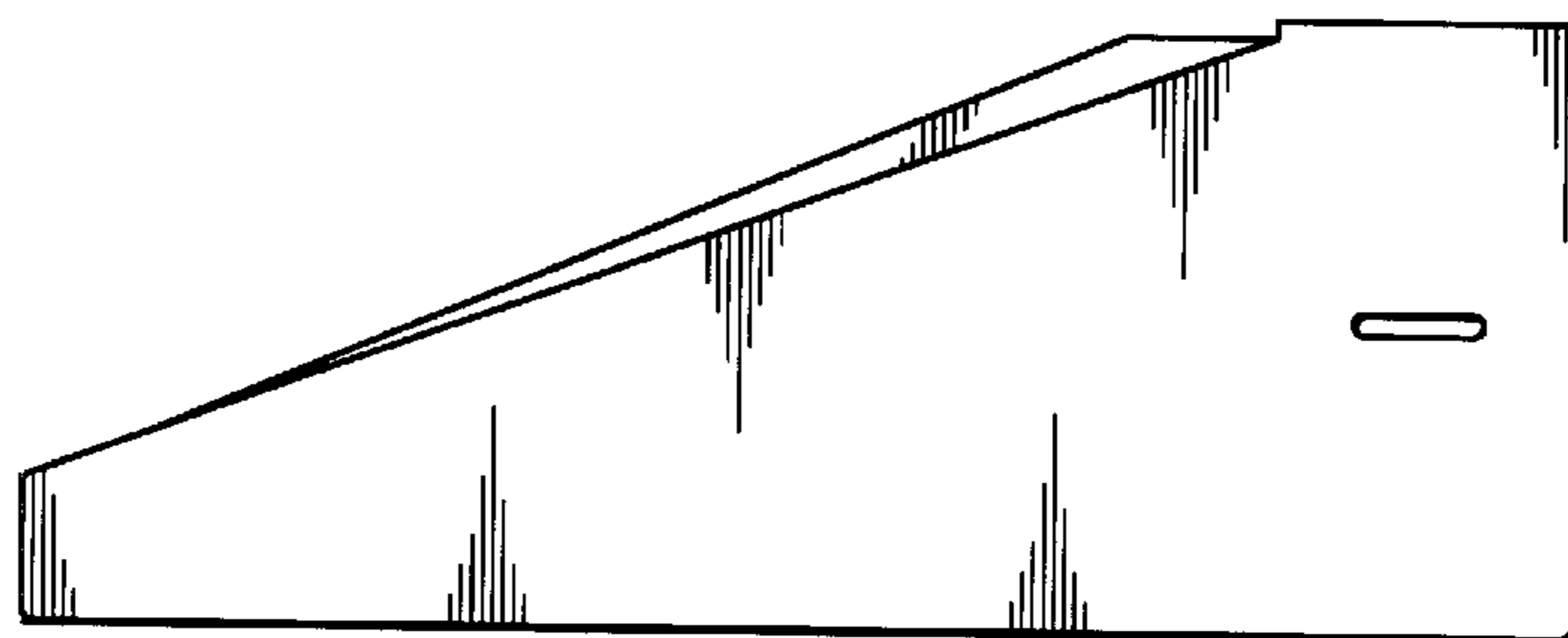


FIG. 10

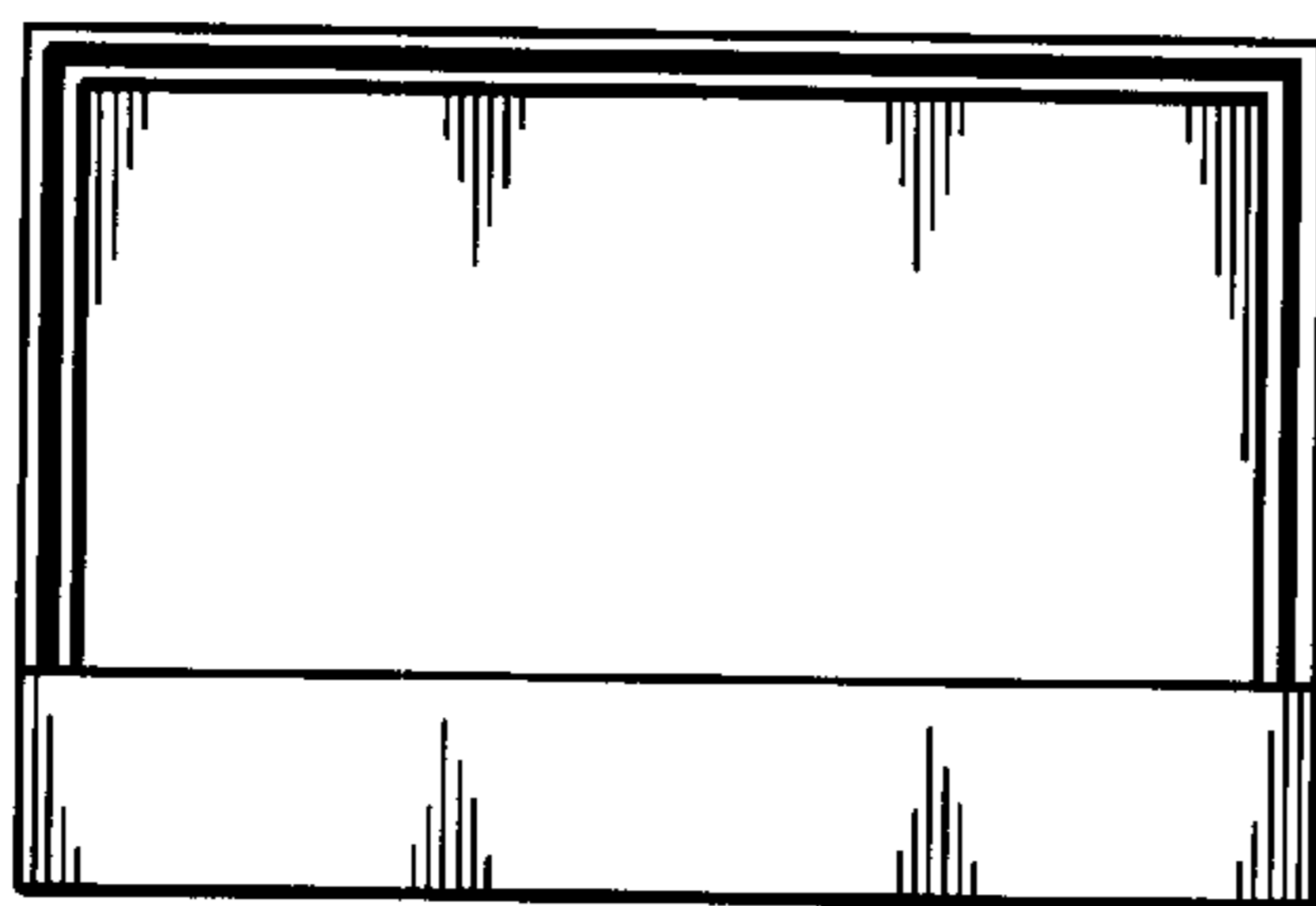


FIG. 11

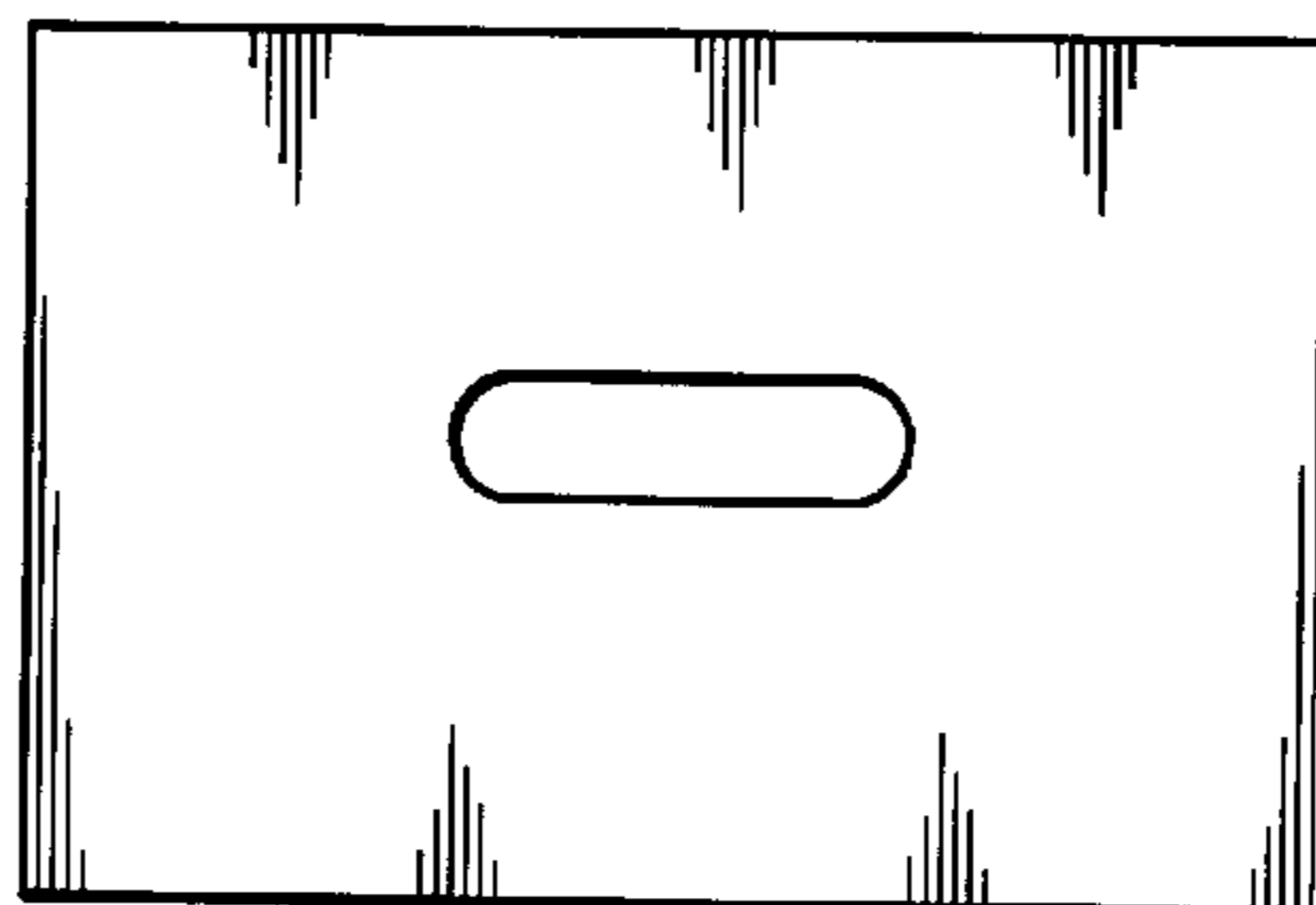


FIG. 12

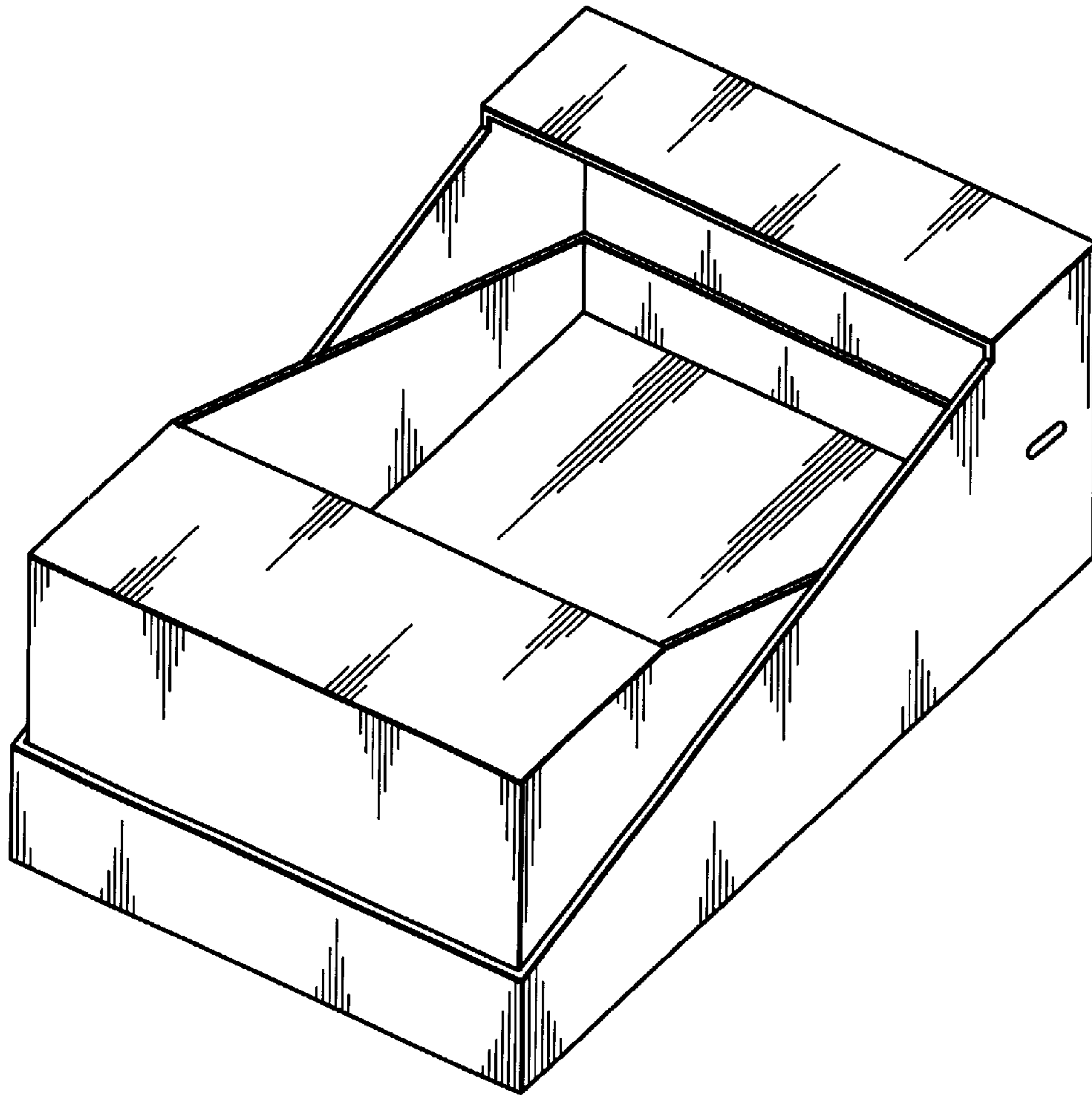


FIG. 13

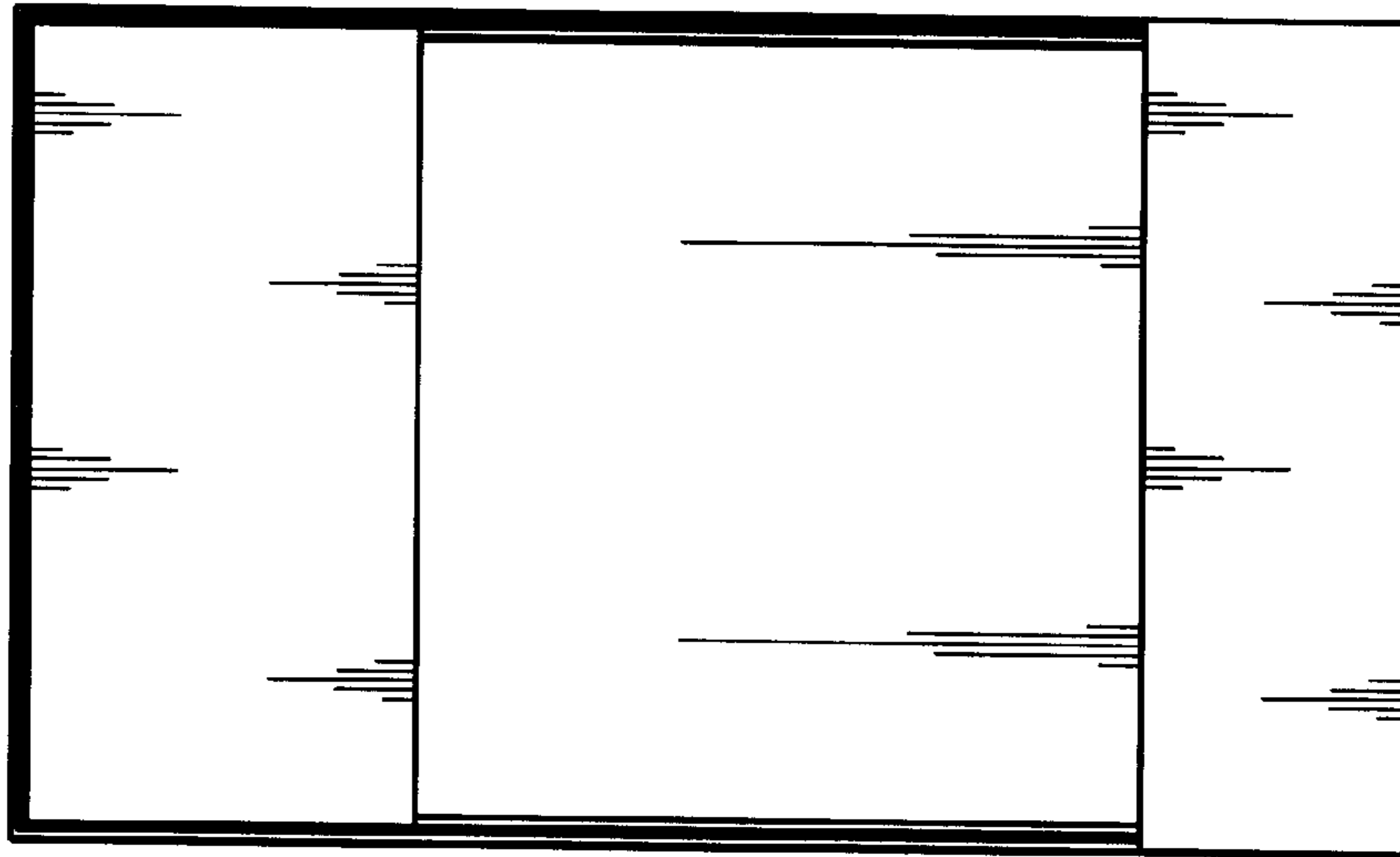


FIG. 14

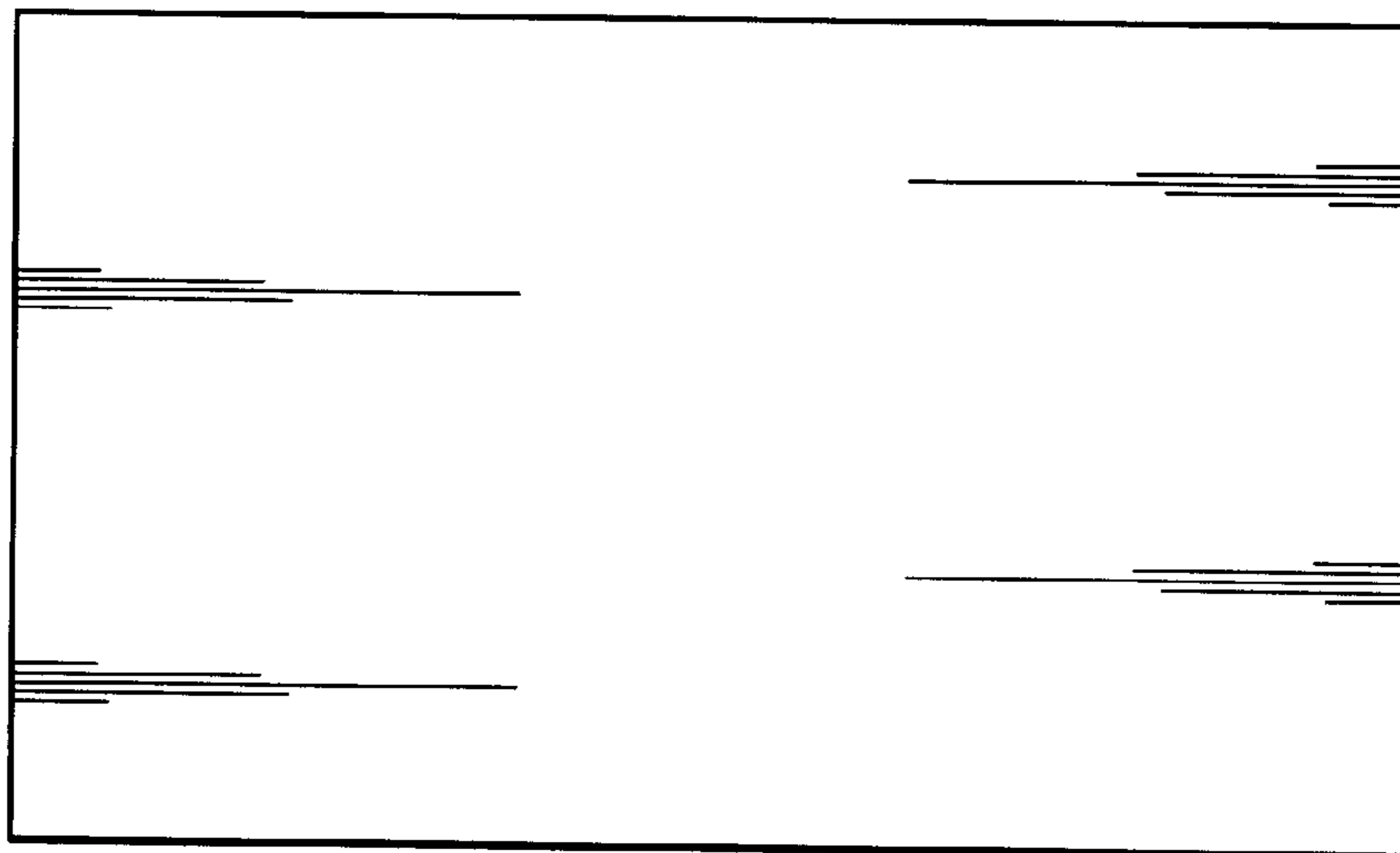


FIG. 15

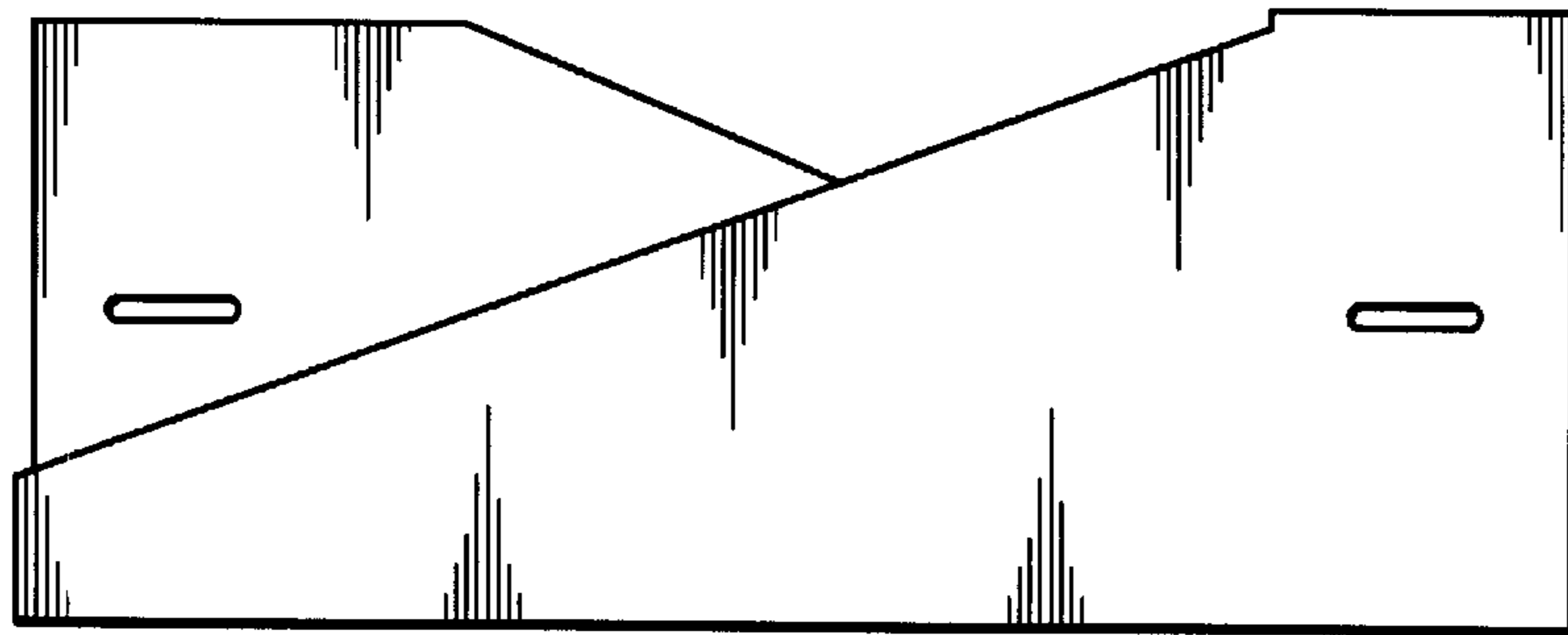


FIG. 16

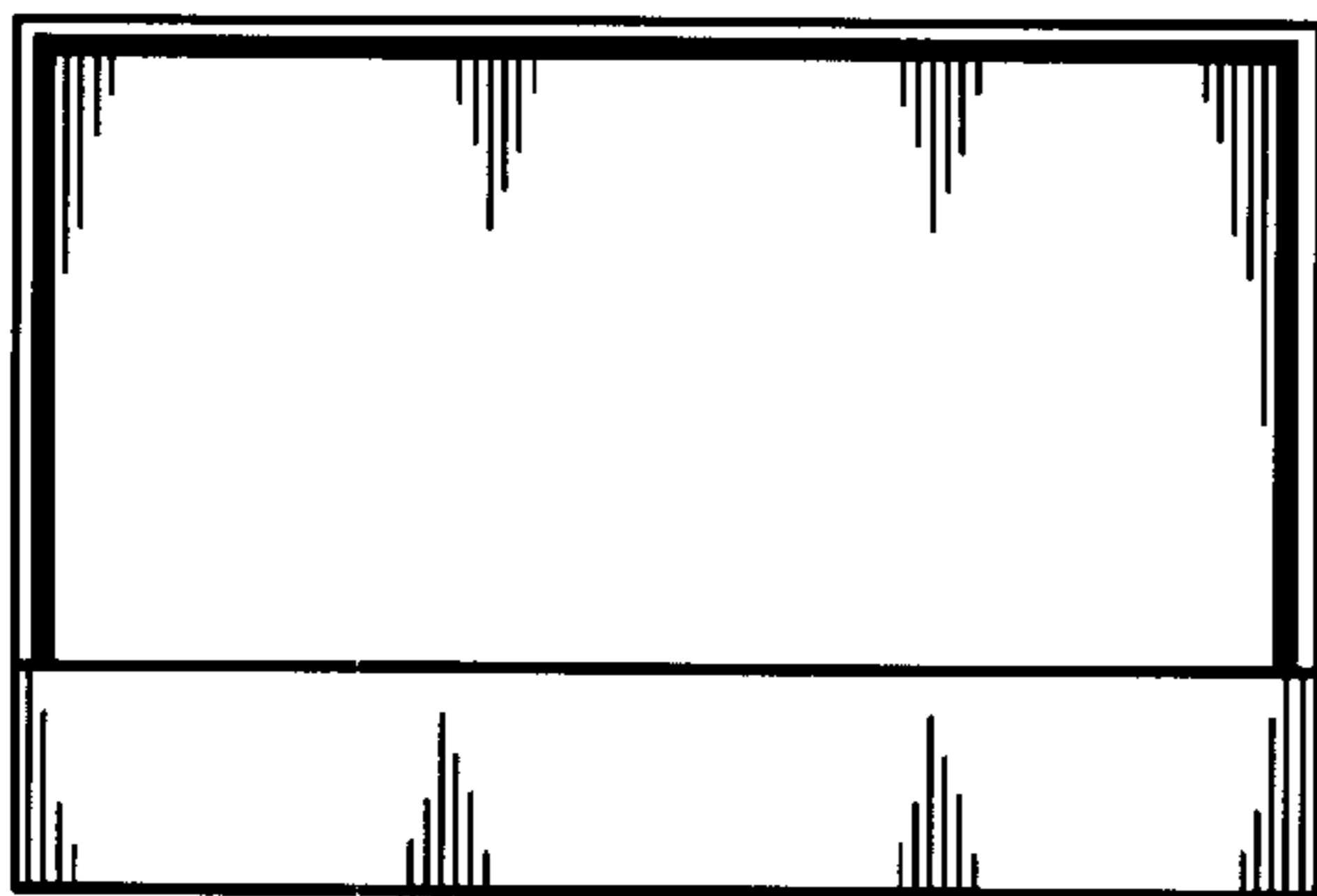


FIG. 17

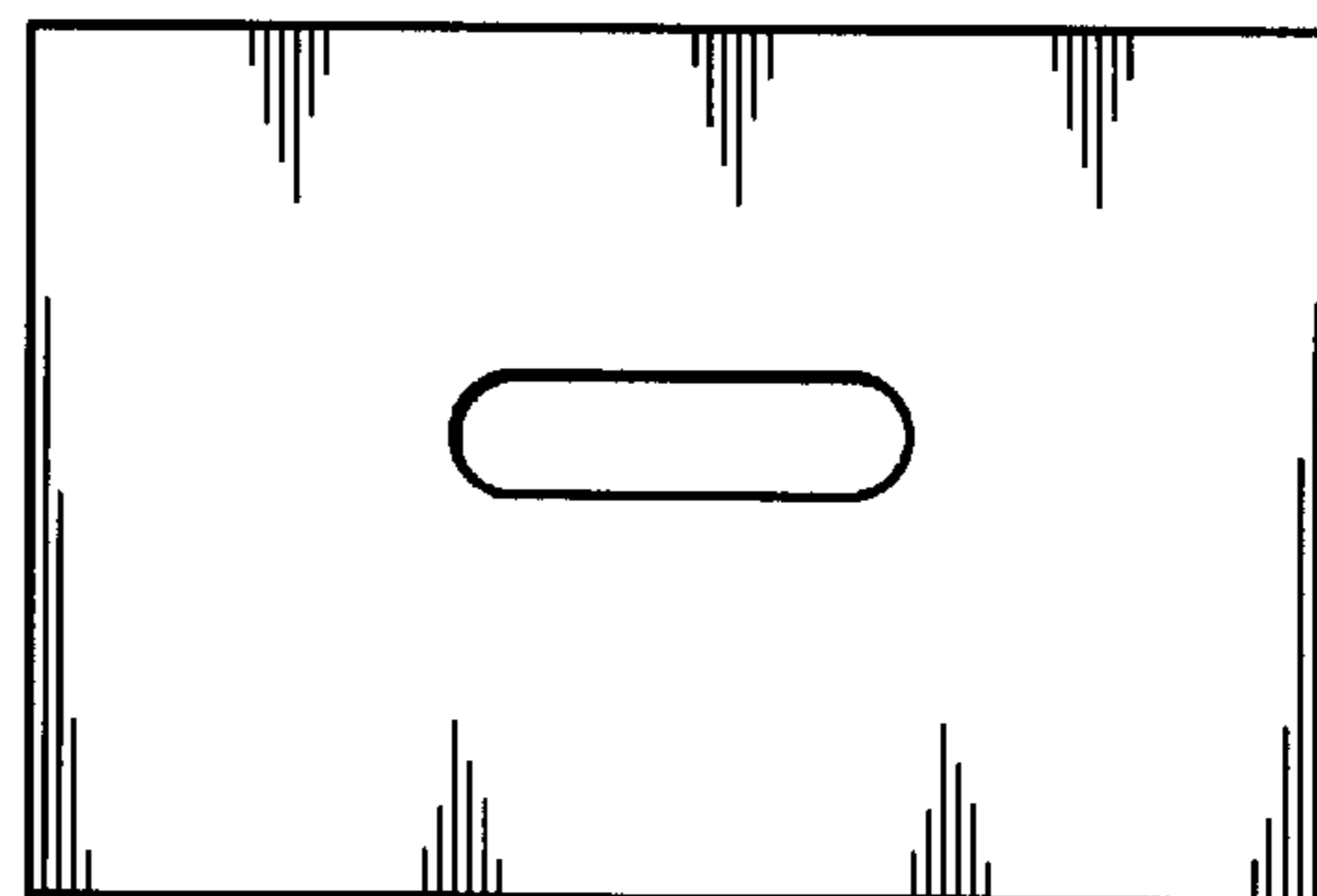


FIG. 18

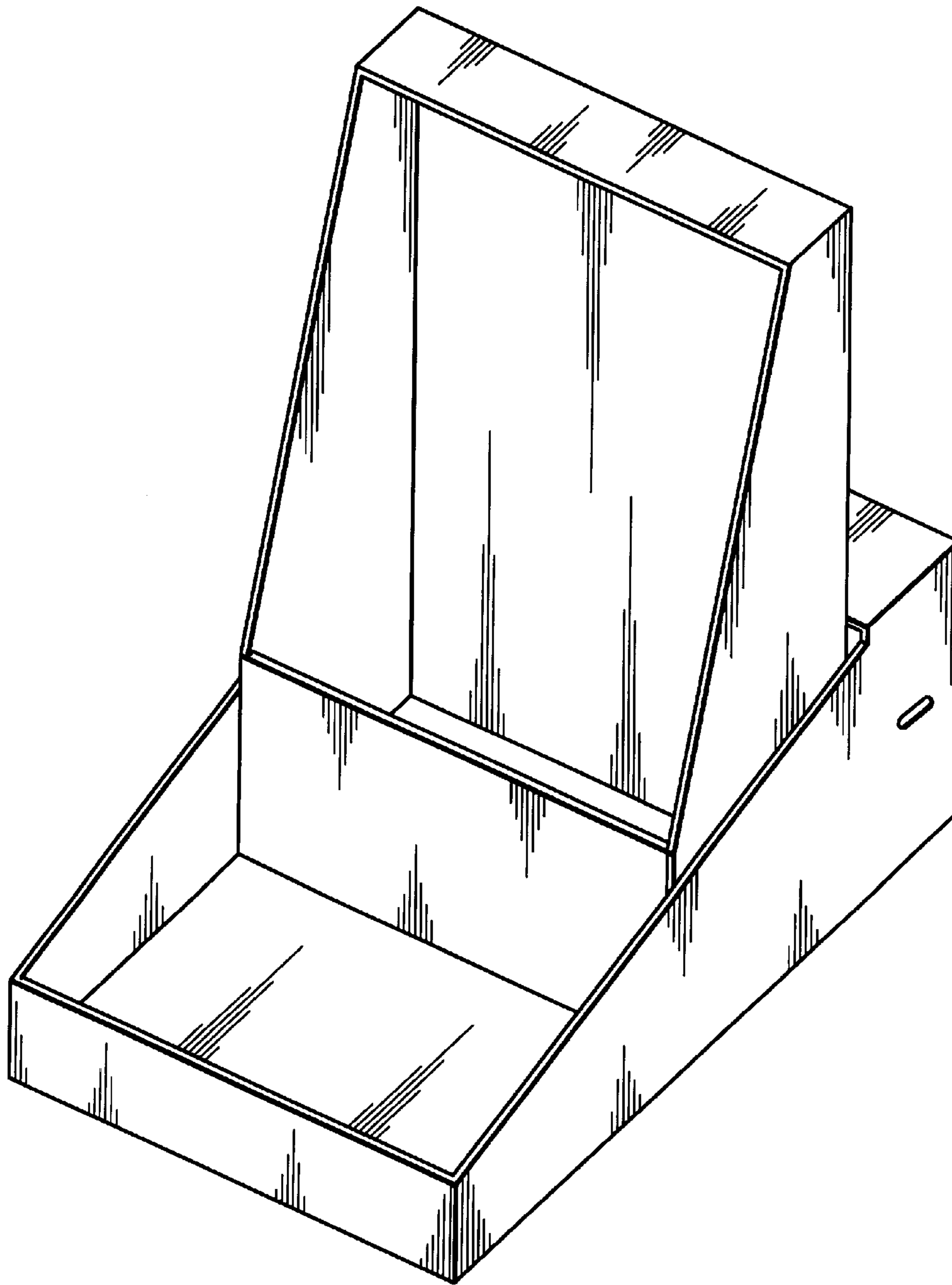


FIG. 19

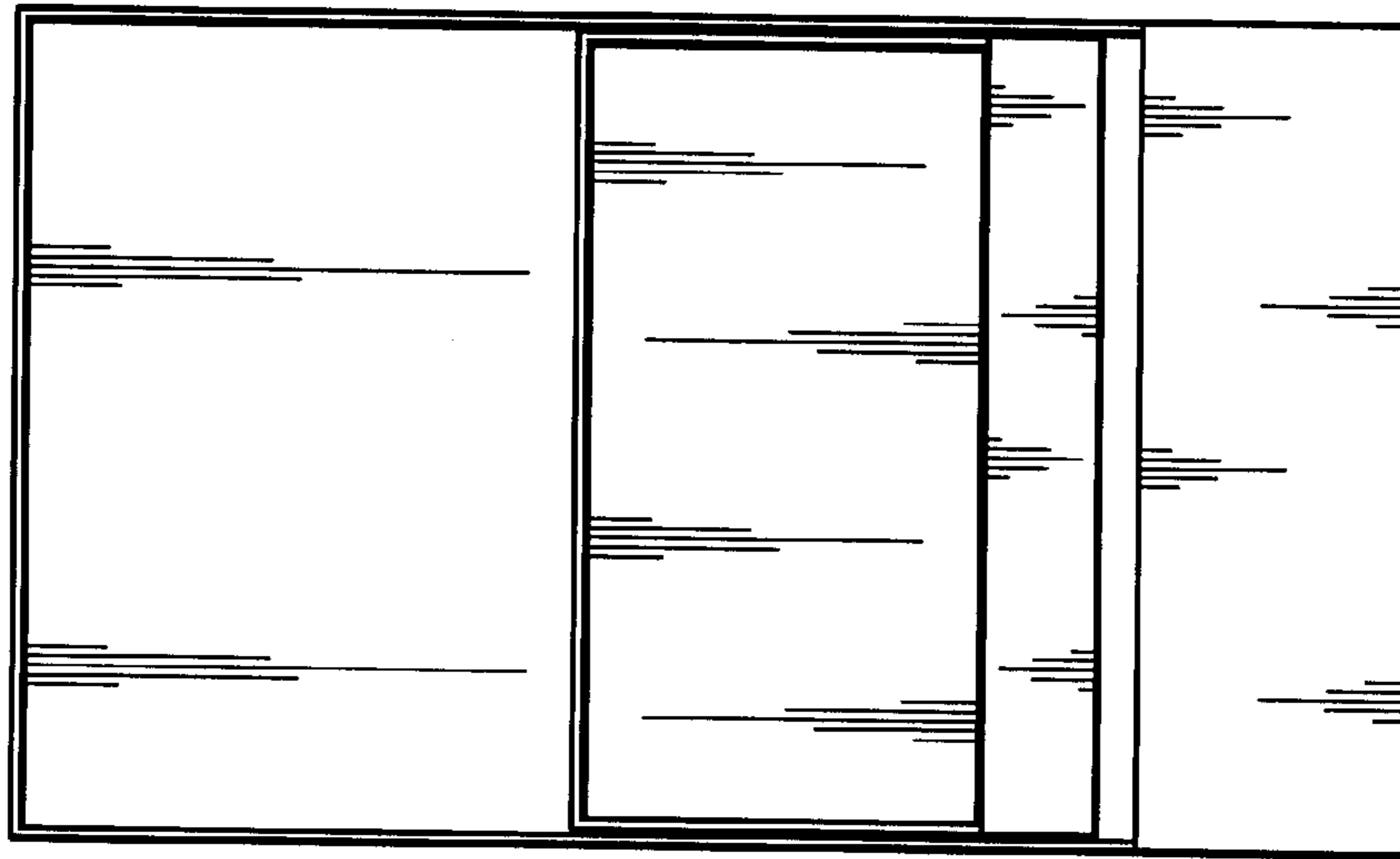


FIG. 20

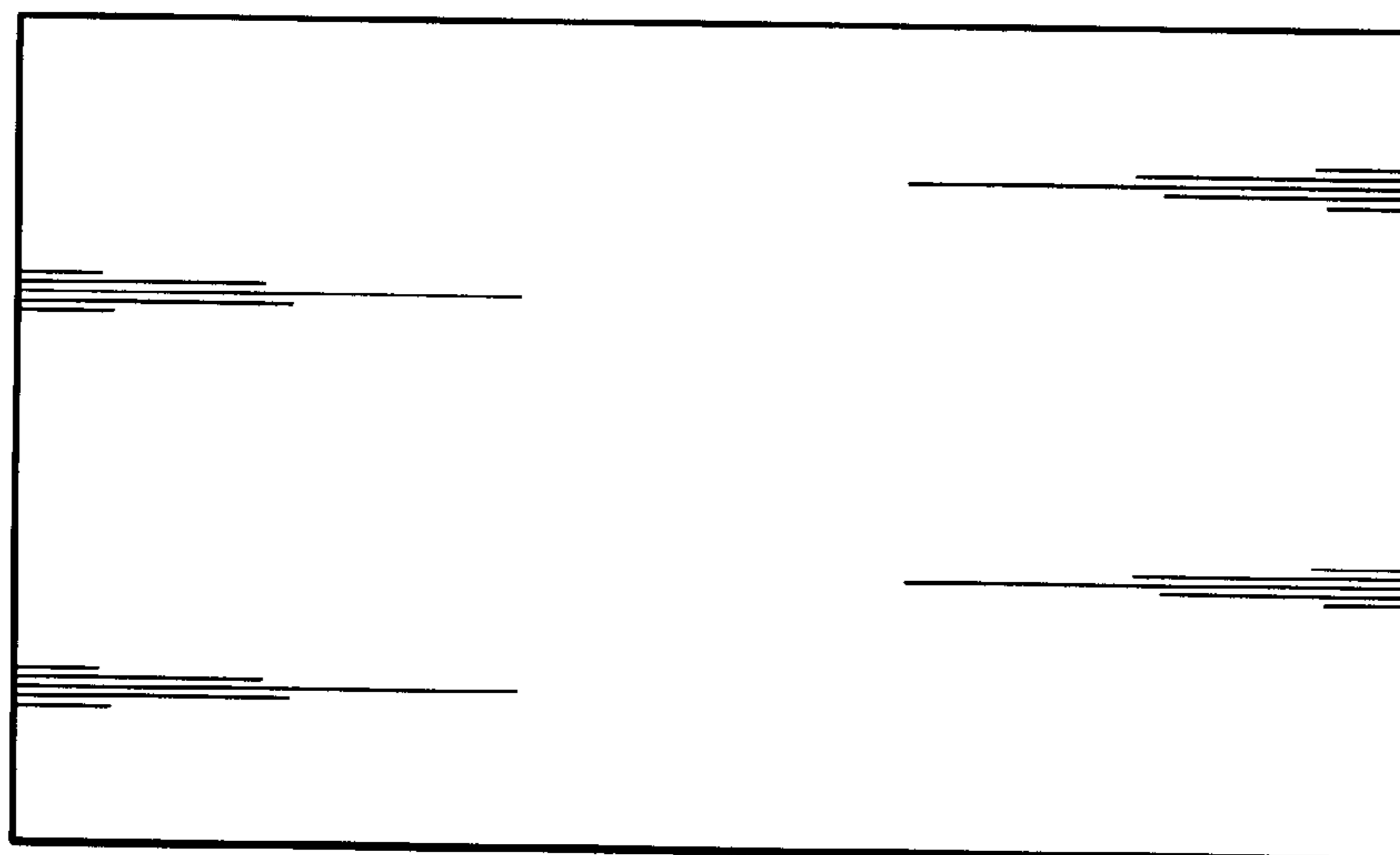


FIG. 21

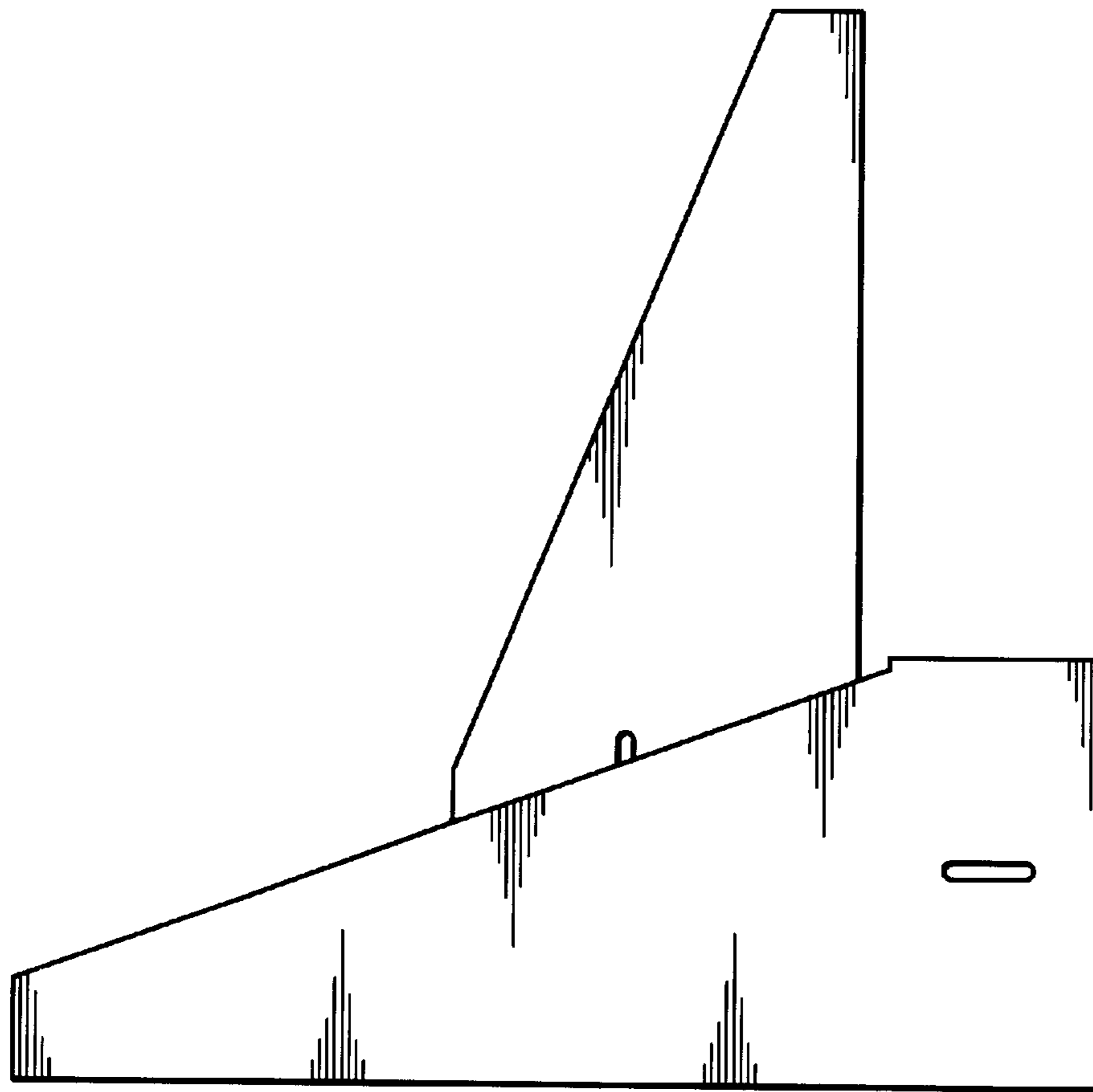


FIG. 22

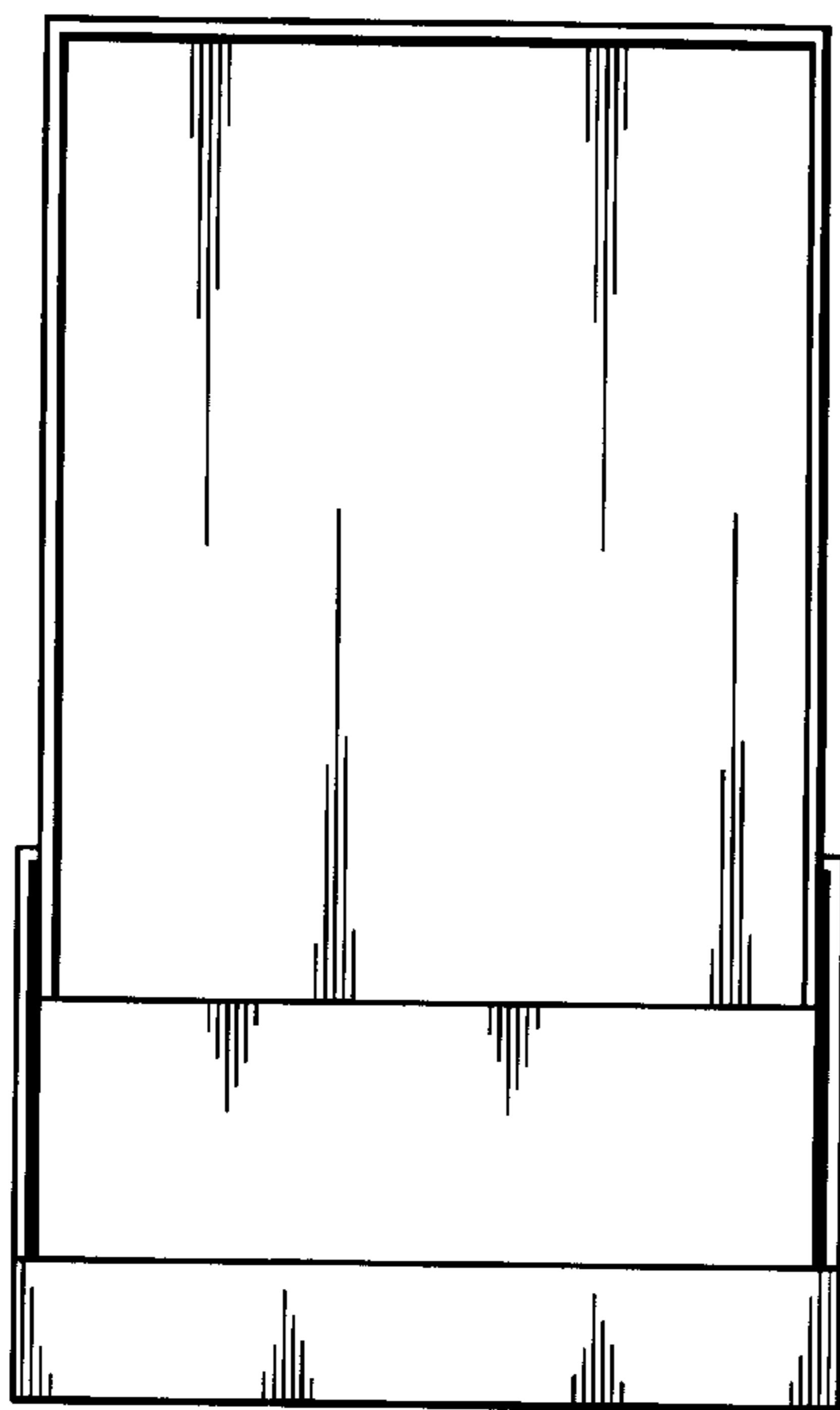


FIG. 23

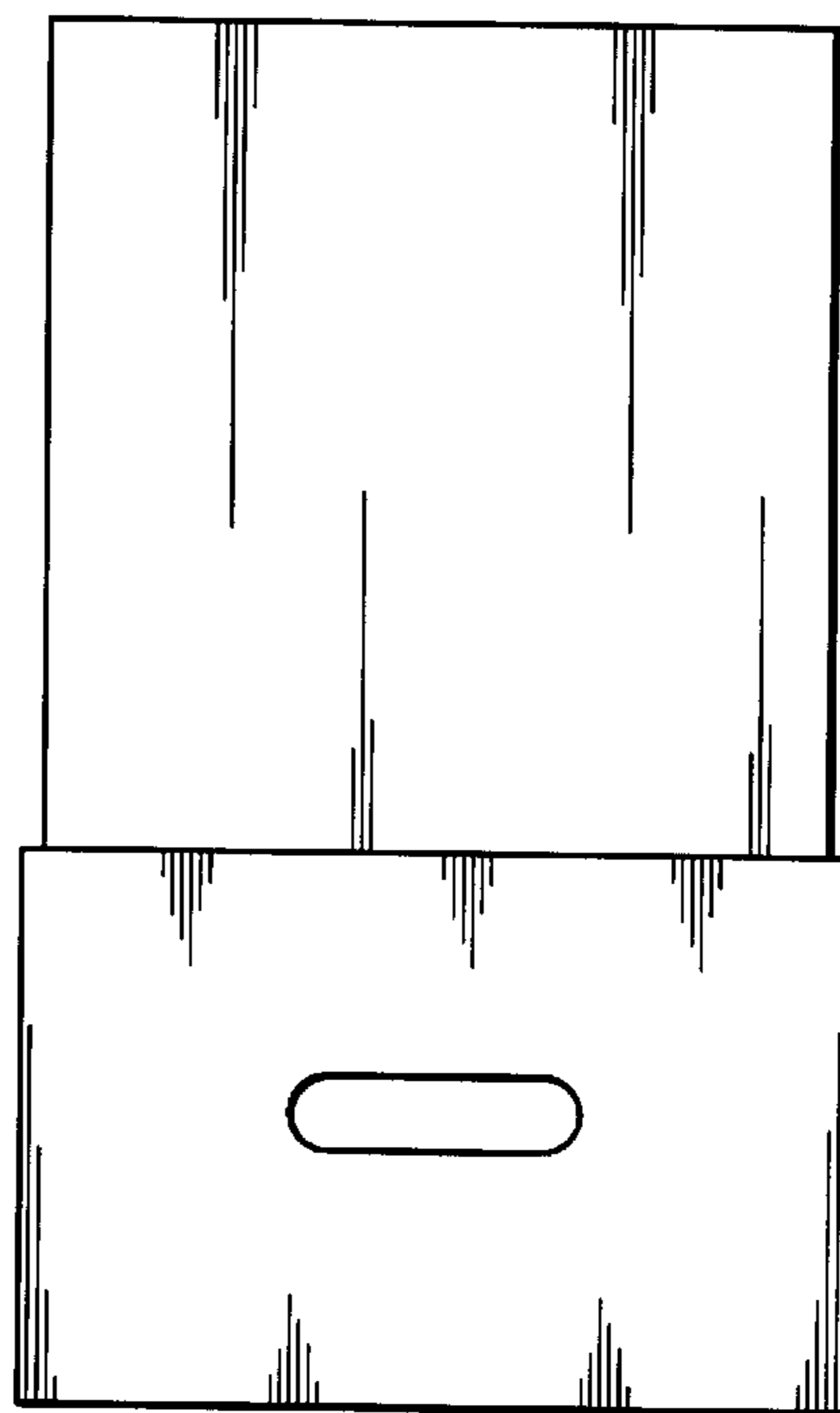


FIG. 24